



Meaningful Innovation.

WEEE Number: 80133970

INSTRUCTION MANUAL

LED HIGHBAY

TECHNICAL DATA

MODEL	VT-9-212
SKU	23739
COLOR TEMPERATURE	5000K
USEFUL LUMENS	37000 Lm
WATTS	200W
INPUT VOLTAGE	AC: 200-240V, 50/60hz
BEAM ANGLE	90°
LIFE SPAN	30,000 Hours
ON/OFF CYCLE	15,000 Times
CRI	>80
DF	0.8
MATERIAL	Aluminium
WIRE LENGHT	250mm
N.W (KGS)	0.79KGS/PC
MAX. MOUNTING HEIGHT	<5M
DIMENSION	Ø250x110x150mm



Lumen efficiency

210
LUMENS/W

1 METER WIRE

05 YEAR
WARRANTY*

IK 08 RATING
IP65 RATING

INTRODUCTION & WARRANTY

Thank you for selecting and buying V-TAC product. V-TAC will serve you the best. Please read these instructions carefully before starting the installation and keep this manual handy for future reference. If you have any another query, please contact our dealer or local vendor from whom you have purchased the product. They are trained and ready to serve you at the best. The warranty is valid for 5 years from the date of purchase. The warranty does not apply to damage caused by incorrect installation or abnormal wear and tear. The company gives no warranty against damage to any surface due to incorrect removal and installation of the product. The products are suitable for 10-12 Hours Daily operation. Usage of product for 24 Hours a day would void the warranty. This product is warranted for manufacturing defects only.

WARNING

1. Please make sure to turn off the power before starting the installation.
2. Installation must be performed by a qualified electrician.
3. The light source of this luminaire is not replaceable; when the light source reaches its end of life the whole luminaire shall be replaced.
4. The external flexible cable or cord of this luminaire cannot be replaced; if the cord is damaged, the luminaire shall be destroyed.
5. Proper grounding should be ensured throughout the installation.
6. Terminal block not included.
7. To be connected with waterproof cable hose.
8. Replace any cracked protective shield.
9. Minimum distance from lighted objects 1m.
10. For outdoor use.

IN CASE OF ANY QUERY/ISSUE WITH THE PRODUCT PLEASE REACH OUT TO US AT
SUPPORT@VTACEXPORTS.COM V-TAC HOUSE, KELPATRICK ROAD, SLOUGH, BERKSHIRE, SL1 6BW, UK.



This marking indicates that this product should not be disposed of with other household wastes.



Caution, risk of electric shock.



FR

Cet appareil, ses accessoires et cordons se recyclent

À DÉPOSER EN MAGASIN



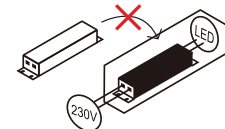
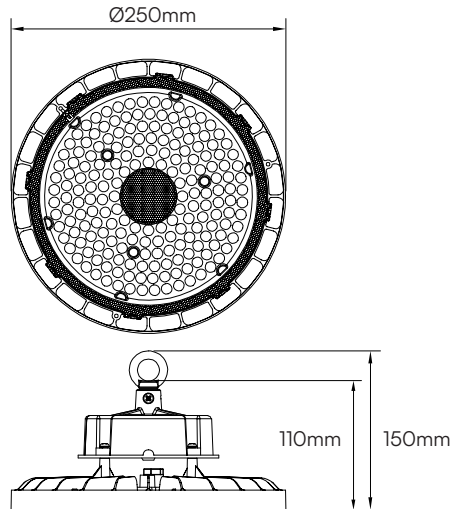
À DÉPOSER EN DÉCHÈTERIE



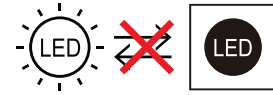
OU

Points de collecte sur www.quefairedemesdechets.fr
Privilégiez la réparation ou le don de votre appareil !

DIMENSION

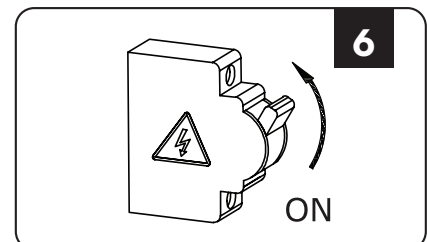
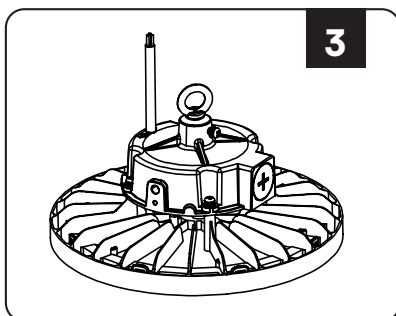
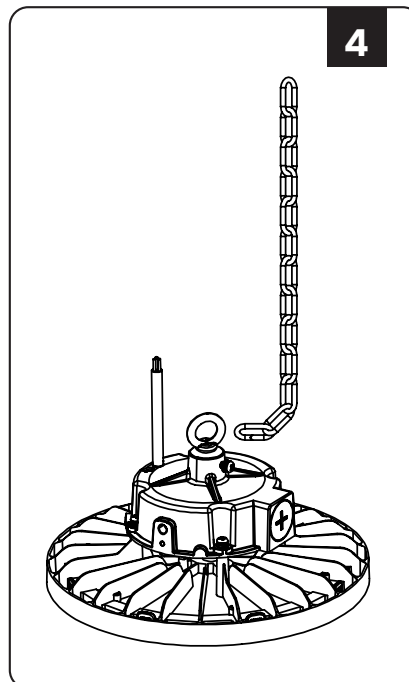
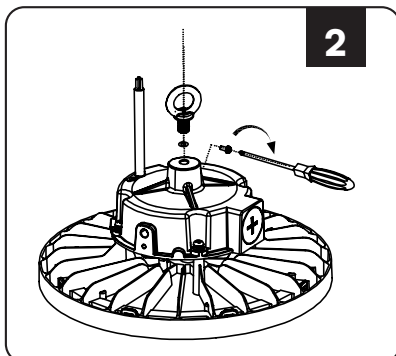
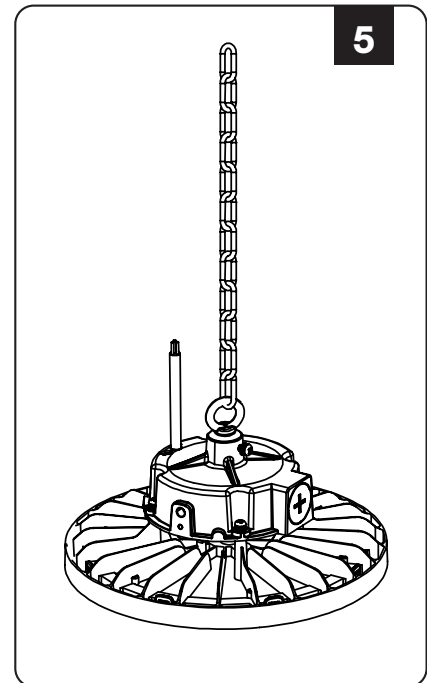
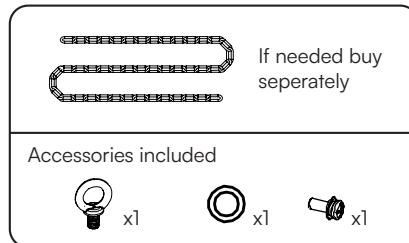
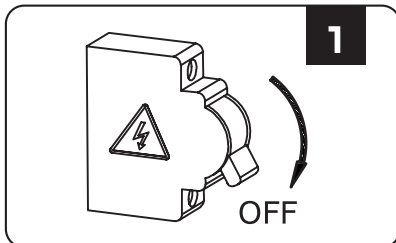


Non-replaceable control gear



Non-replaceable light source

INSTALLATION DIAGRAM

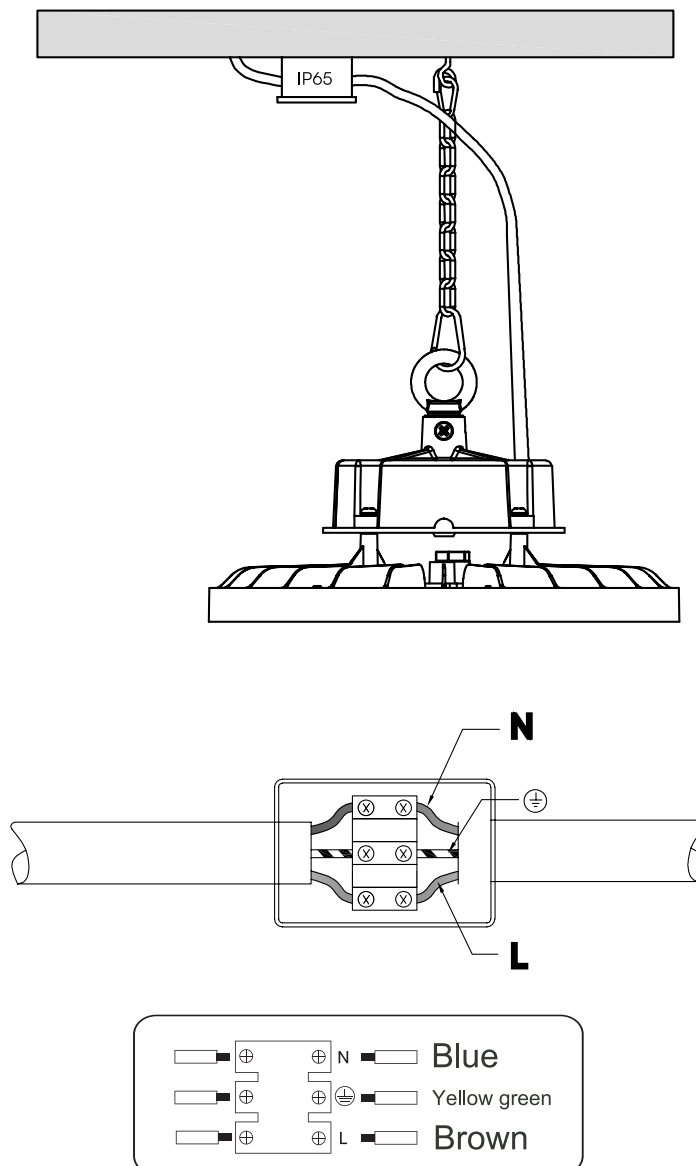


INSTALLATION INSTRUCTION

1. Turn off the power.
2. Attach the chain to the roof hook, ensuring it is securely fastened.
3. Connect the included hook to the designated mounting point on the LED Highbay light.
4. Tighten the screws to secure the hook to the light fixture.
5. Hang the LED Highbay light from the chain, ensuring it is properly supported.
6. Attach the 60/110-degree lens (sold separately, SKU-23750/23751) to the LED Highbay light. Ensure it is firmly in place and properly aligned by following the provided instructions.
7. Connect the electrical wires to the AC supply, adhering to the wiring diagram for correct connections.
8. Turn on the power and test the light.

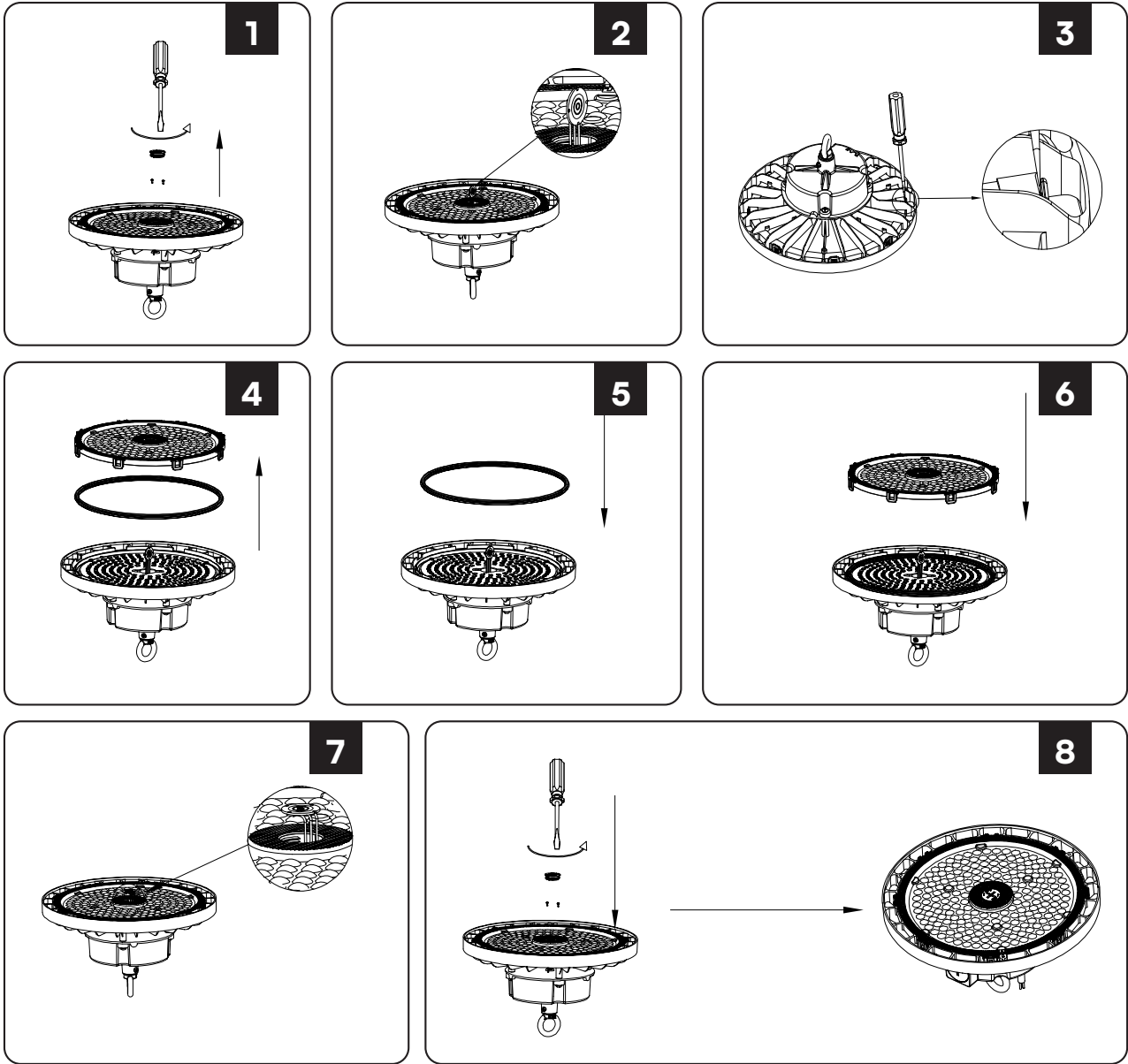
Note: For sensor installation, refer to the installation diagram provided. (Sensor not included; must be purchased separately.)

WIRING DIAGRAM



LENS REPLACEMENT DIAGRAM

[Not included buy seperately SKU-23750/23751]



LENS REPLACEMENT INSTRUCTIONS

1. Utilize appropriate tools to remove the protective cap and screws from the sensor base
2. Gently pull out the patch panel and rotate it to an upright position.
3. Use a tool to prise the lens chips.
4. Detach the lens and the waterproof ring.
5. Carefully put the removed waterproof ring back on the heatsink first.
6. Install the new lens.
7. Place the panel flat and apply downward pressure to align the screw holes.
8. Use appropriate tools to secure the screws and reattach the protective cap to the lens.

RoHS



UK
CA

