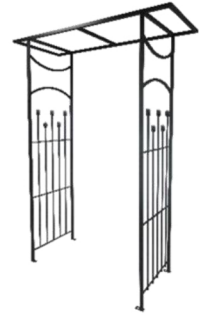


## APPLETON STRAIGHT GARDEN ARCH

(H)213cm x (W)119cm x (D)45cm









### ASSEMBLY INSTRUCTIONS

**APPLETON STRAIGHT GARDEN ARCH**  
(H)213cm x (W)119cm x (D)45cm

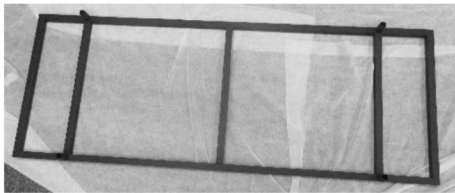


**ASSEMBLY INSTRUCTIONS**

Contents (with approx. measurements):

- a) 1 straight top piece 
- b) 2 side extensions 
- c) 2 straight sides 
- d) 4 long ground stakes 21cm 
- e) 2 flat connector bars with a hole at each end (to connect arch to Appleton fence panels if desired) 61cm 
- f) 4 bolts for optional connectors 2.5cm 
- g) 12 black plugs to cover unused holes 9mm 
- h) 16 black plugs to cover unused holes 5mm 

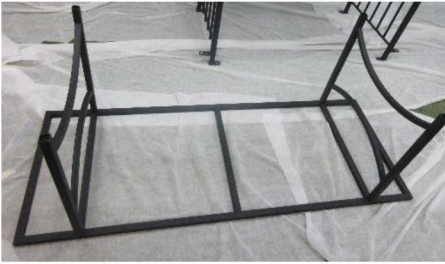
1. Place the straight top piece on grass/floor with slotted pieces facing upwards.



2. Take one side extension. Slot the longest legs of the side extension into the straight top piece so that when it is complete, the longest legs will be pointing upwards towards the straight top.



3. Repeat with other side extension.



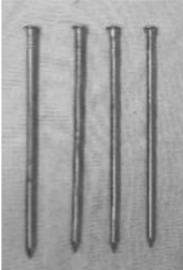
4. Slide one of the 2 long side pieces into the side extension with the feet facing inwards.



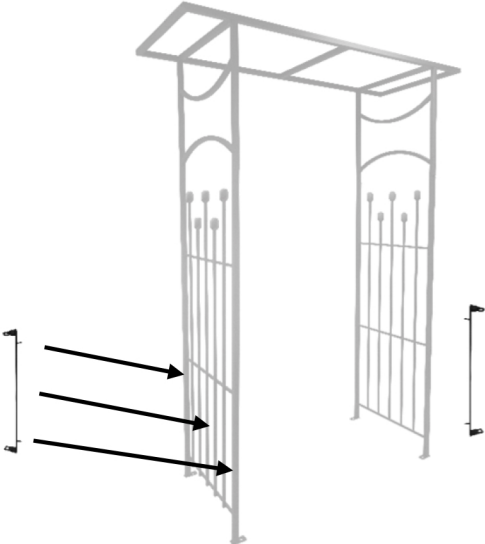
5. Slide the other straight side into the other side extension with the feet facing inwards.

6. Stand the assembled arch up and position where required.

7. Slot one long ground spike through the hole of each foot and into grass/soil to secure the arch.

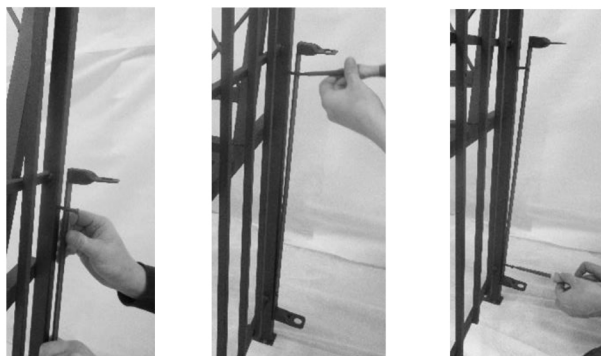


If the Appleton Garden Arch will be used with the Appleton Fence Panels (purchased separately), the connector bars need to be attached to the outer edge of both straight sides of the arch. These can be positioned either on the back of the straight side, in the middle of the straight side, or on the front of the straight side. There are holes in each of these positions.



Please turn over...

- Place the connector bar in the desired position, secure with one bolt at the top end of the connector bar and one bolt at the bottom end of the connector bar.



- Repeat to attach the remaining connector bar to the other side of the arch.



- To attach the Appleton fence panel to the Appleton arch, place a fence post (purchased separately) through the connector bar and the fence panel.



- Any large or small spare holes in the arch frame that are not being used can be hidden by pressing in the 9mm or 5mm plastic plugs.