

ACCESS PANEL

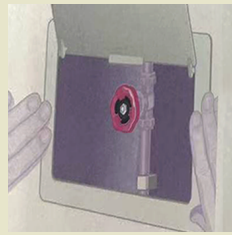
Product dimensions:
358(H) x 358(W) x 20(D)mm

Fit aperture size:
300(H) x 300(W)mm

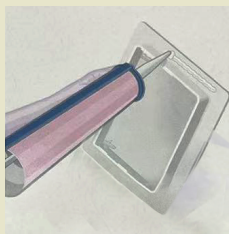
4 STEPS EASY INSTALLATION:



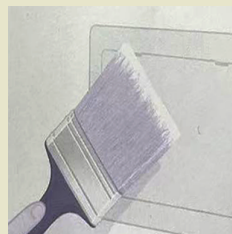
1. Check to ensure there is no stud, electrics or pipework immediately behind the chosen surface.



2. Mark the desired position of the access panel on the surface, using the panel's frame as a template to trace the cut-out area, ensuring the cut out is 2-5mm larger than the panel to ensure a good fit.

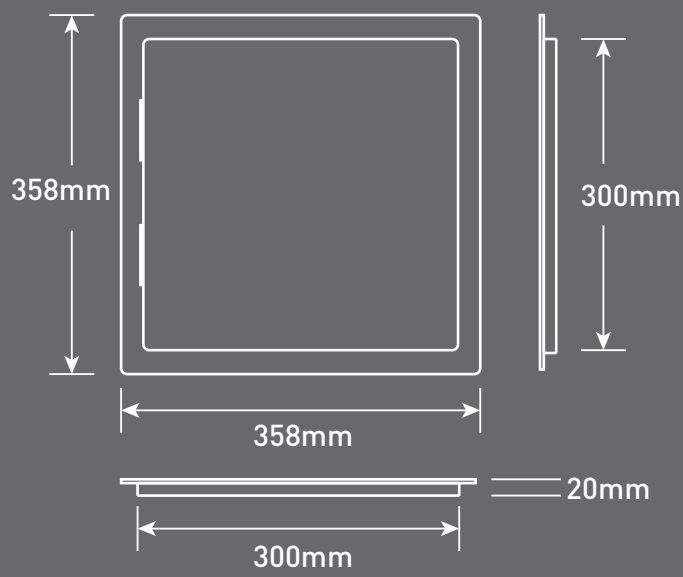


3. Apply sealant around the backside of the panel frame. Once applied, insert the panel into the hole and apply pressure to the frame edge to ensure good contact with the surface. Remove excess from edges.



4. Paint panel if required.

Warning: This access panel is not fire-rated and is not designed for use in fire-rated ceilings or walls. Check for cables and pipes.



Imported by Toolstation
(company number 04372131)
Toolstation is a Travis Perkins company
Made in China



293mm

613mm

210mm