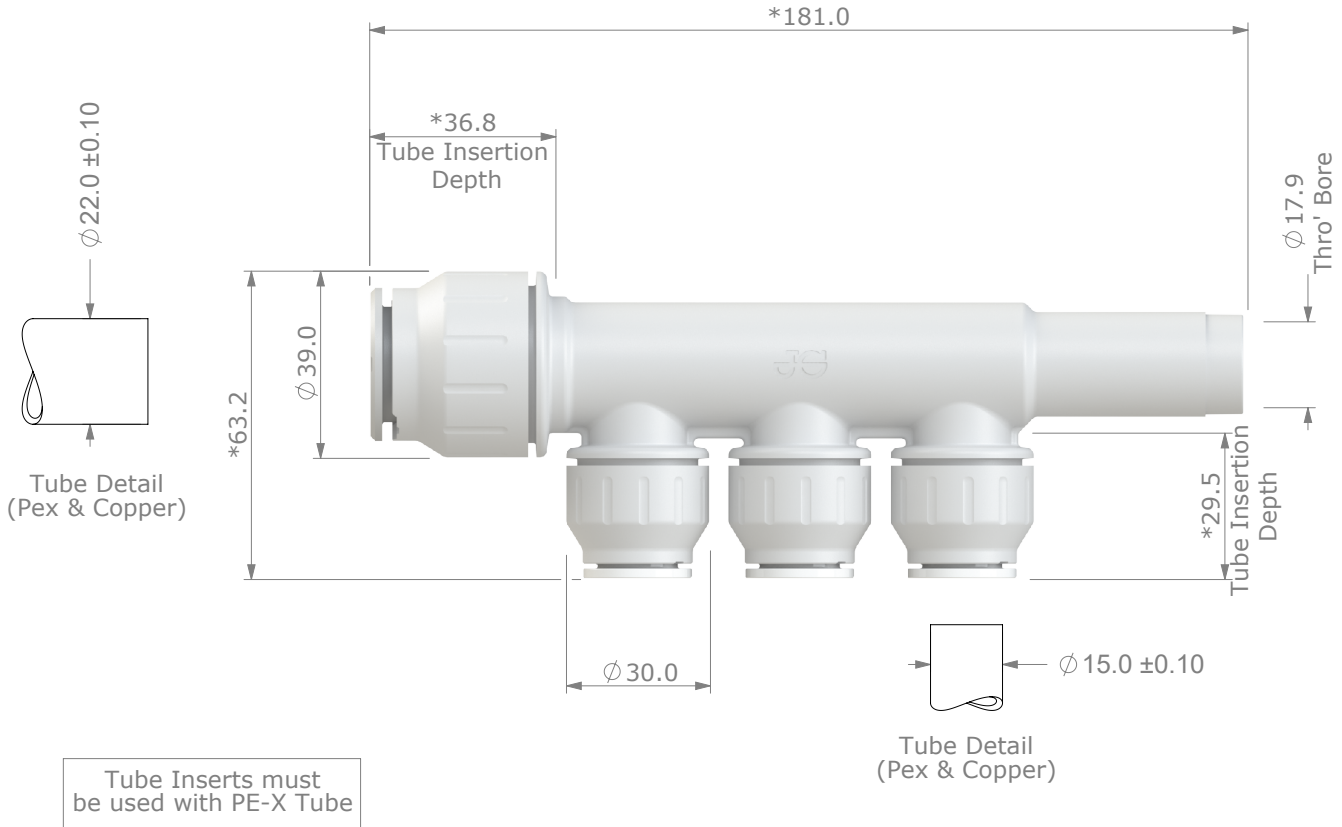


**22mm x 15 mm 3 Port Rail With Stem**

The John Guest 22mm x 15mm 3 Port Rail with Stem has been developed for Domestic plumbing applications.

\*With Collet(s) in release position



Dimensions in mm

**Parts List**

Part Description	Material	Part Description	Material
Body	Polybutylene, White	Collets	Acetal Copolymer (Unfilled), White & Stainless Steel
22mm Cap	Nylon 6 (Mineral Filled), White	Compression Rings	Acetal Copolymer (Unfilled), Dark Grey
15mm Caps	Nylon 6 (Mineral Filled), White	'O'Rings	Ethylene Propylene (EPDM), Black

**Technical Information**
**Working Pressures & Temperatures**

12 bar at 20°C    6 bar at 65°C    3 Bar at 92°C  
 Minimum Temperature 1°C

**Applications**

Hot and Cold Water ✓  
 Central Heating ✓