

Rebris S

2-hole rim mounted bath mixer

Finish: **Chrome** Article Number: **72446000**



Description

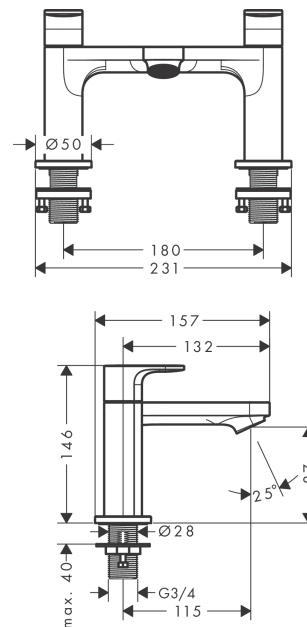
product features

- 1 function
- projection: 180 mm
- centre distance: 180 mm
- maximum flow rate at 3 bar: 50 l/min
- ceramic valves hot/cold 90°
- operating pressure from 0.2 bar
- connection dimension: DN20
- connection type: G 3/4
- installation on bath rim
- min. operating pressure: 1 bar
- max. operating pressure: 10 bar

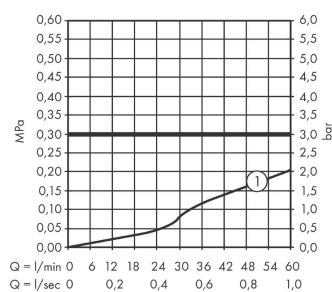
Product image



Scale drawing



Flowchart

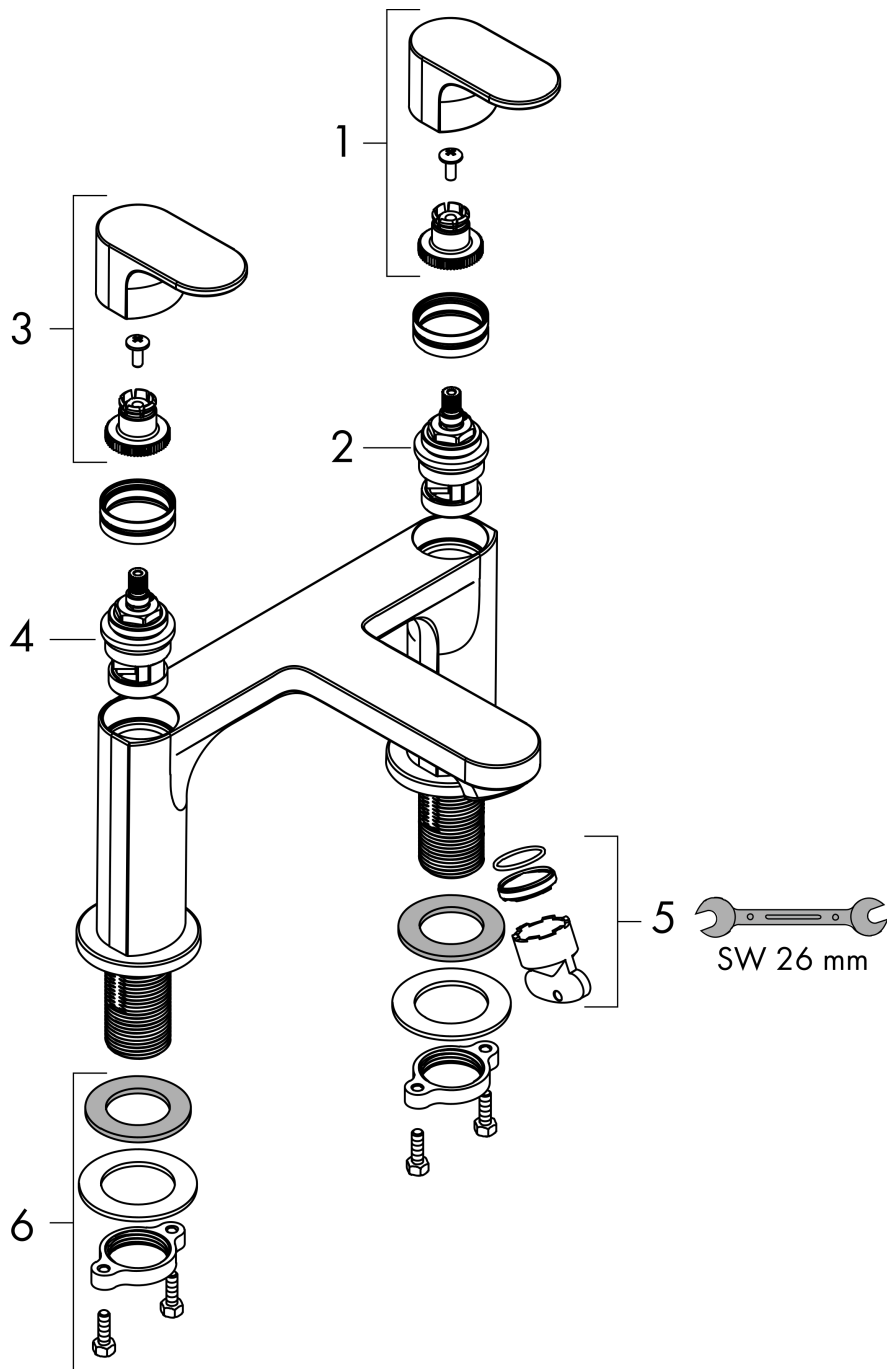


Rebris S
2-hole rim mounted bath mixer
 Finish: **Chrome** Article Number: **72446000**



Exploded Drawing

Year of production: >03/23



Rebris S

2-hole rim mounted bath mixer

Finish: **Chrome** Article Number: **72446000**



Spare part list

Year of production: >03/23

Pos.	Description	Article Number	PC	PU
1	handle for cold water	94744000	0	1
2	shut off unit left closing	93945000	9	1
3	handle for hot water	94745000	0	1
4	shut off unit right closing	93944000	9	1
5	aerator cpl.	93950000	7	1
6	fixing set	94742000	0	1