

Unica

Shower bar Croma 65 cm

Finish: **Chrome** Article Number: **26505000**



Description

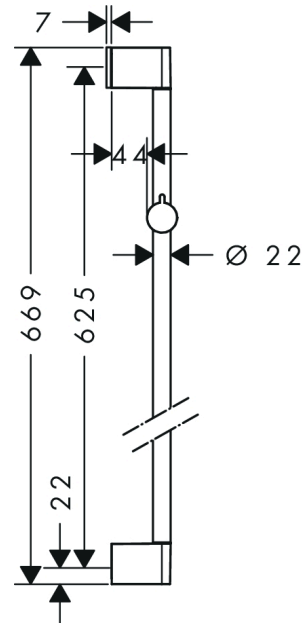
product features

- consists of: shower bar, slider
- hand shower holder inclination angle can be adjusted by 45°
- pipe length: 669 mm
- shower bar diameter: 22 mm
- profile pipe: round
- drilling distance: 625 mm
- hand shower holder with locking mechanism
- hand shower holder inclination angle adjustable in 2 steps
- wall supports made of plastic

Product image



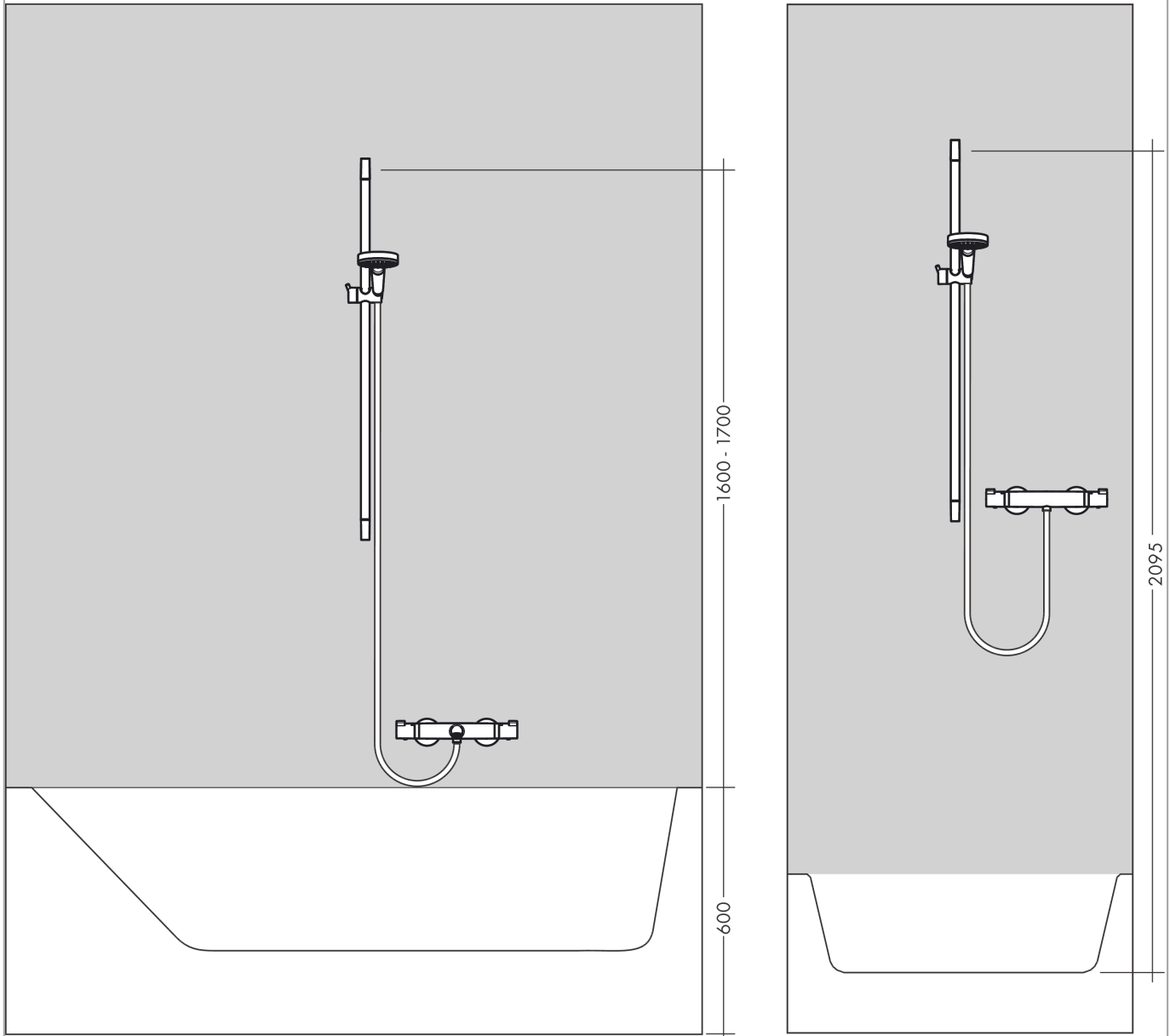
Scale drawing



Unica
Shower bar Croma 65 cm
 Finish: **Chrome** Article Number: **26505000**



Installation examples

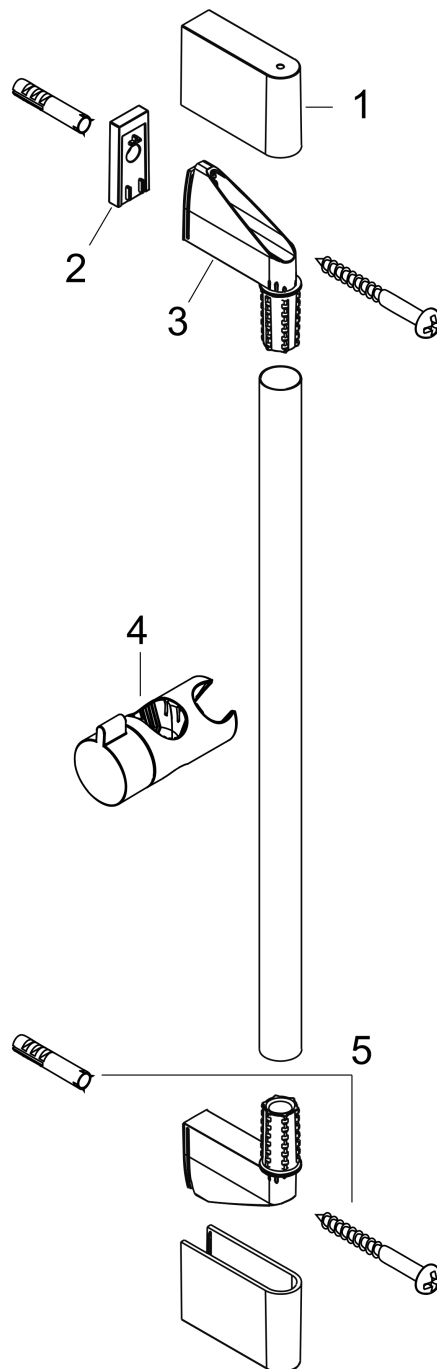


Unica
 Shower bar Croma 65 cm
 Finish: **Chrome** Article Number: **26505000**



Exploded Drawing

Year of production: >02/15



Unica
Shower bar Croma 65 cm
 Finish: **Chrome** Article Number: **26505000**



Spare part list

Year of production: >02/15

| Pos. | Description | Article Number | PC | PU |
|------|-------------------------|----------------|----|----|
| 1 | cover | 95217000 | 4 | 1 |
| 2 | tile-matching-disk 7 mm | 97450000 | 99 | 1 |
| 3 | wall support | 95218000 | 3 | 1 |
| 4 | support, assy | 92366000 | 9 | 1 |
| 5 | mounting set | 96179000 | 4 | 1 |