

Salamander Pumps 

RIGHT PUMP range

Shower, bathroom and whole house **centrifugal** pumps



Salamander Pumps is one of the UK's leading manufacturers of shower and domestic water pumps.

Innovation is used throughout the organisation to create higher quality products and offer outstanding customer service at every step of the journey.

Over the last 5 years we have completely overhauled our product range, taking feedback from installers and householders and using some cutting edge technologies to make Salamander pumps some of the quietest, compact and most reliable pumps on the market.

Whether you need to power just one shower or your whole house, there is a Right Pump to help.

Contact Pumpwise for help before, during and after installation on 0191 516 2002 or email tech@salamanderpumps.co.uk

CONTENTS

SHOWER PUMPS EXPLAINED	4
TECH ₂ LOGY INSIDE	6
THE RIGHT PUMP RANGE	8
RANGE OVERVIEW	10

1.5 BAR PUMPS

Designed to boost the performance of a single outlet, ie a shower, tap or appliance.

2.0 BAR PUMPS

Engineered to boost the increased demand for water supply to showers and multiple outlets.

3.0 BAR PUMPS

Designed to boost water pressure to showers, multiple outlets, and whole house applications.

TECHNICAL

Range comparison, dimensions, flow curves, specification and typical installation diagrams.



SHOWER & HOUSE PUMPS EXPLAINED

CONTINUOUS RATING

A pump that is continuously rated, can effectively run for as long as the user chooses, without the need for the pump to shut down, to allow the pump to cool. With a large family in a household this is particularly important, many competitor pumps are not continuously rated, and will automatically shut off for 20 to 45 minutes to allow the pump to cool. All Salamander pumps are continuously rated.

TWIN ENDED

These pumps pump both hot and cold water supplies with one end on the cold inlet and the other on the hot inlet. Each end then goes on to supply the outlet, which is most commonly a shower valve.

SINGLE ENDED

These pumps will simply take one inlet, and that can be either, hot or cold water and then pump that water to an outlet.

Typically, single ended pumps can be used to supply electric showers, combination boilers, unvented cylinders or washing machines, but all of which must be supplied via a header tank to the pump.

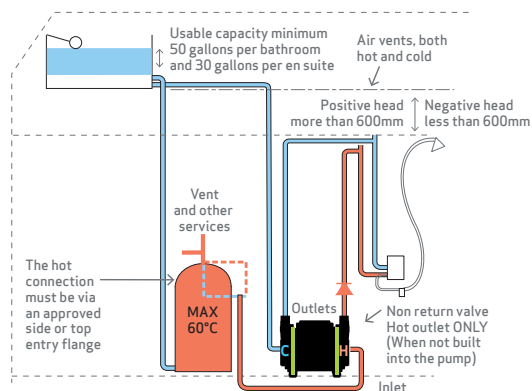
WARRANTIES

The Right Pump range comes with a 3 year warranty.

The standard warranty period of the Right Pump range can be extended by a further 2 years at an additional charge. Contact Salamander Pumps on 0191 516 2002 for further information.

POSITIVE HEAD SYSTEMS

Several different plumbing systems are used in UK homes, the most common of which is a gravity-fed system as shown in the diagram below. In these types of systems there is usually a cold water cistern in the loft with a hot water tank below it, probably in an airing cupboard. If your shower is not forceful enough due to insufficient water pressure, this can be easily remedied with the installation of a pump.



Negative head
When the distance between the cold water storage cistern and the highest point in the system is 600mm or less, or when natural flow is poor or less than 2 litres per min of combined hot and cold it is possible a negative head pump may be required.

NEGATIVE HEAD SYSTEMS (GRAVITY-FED)

If any point in the system after the pump goes within 600mm of the base of the cold water cistern or above it, including pipework, this can cause a negative head situation as there would be poor natural flow to the outlets. Negative head pumps may also be required where pumped hot meets mains cold water, where two pumps are fitted individually on hot and cold sides of the system, electric showers, washing machines and dishwashers. Some restrictive outlets such as body jets may also require a negative head pump.

TECH₂OLOGY INSIDE

We continually strive to improve our pumps and have introduced some clever technology to do this. (RP) indicates the technology in Right Pumps.



CROSSOVER™ (RP)

An innovatively designed bypass tube found in Right Pumps. This diverts water to the end of the pump that isn't pumping water. Typically this happens when the user switches off one tap when filling a bath or basin. The Crossover stops the overheating/expansion of the side of the pump that isn't seeing water.



SOLID STATE SWITCHING™ (RP)

An electronic switch which activates the pump. The switch has no moving parts, so this improves reliability, sensitivity, and extends product life.



DYNAMIC RESPONSE SYSTEM™ (DRS)

DRS is the pumps ability to react to a variation in pressure or flow. E.g. if the flow increases then the DRS will send a message to the motor to slow down, meaning that the pump maintains a consistent water output.



INTERROGAI™ (RP)

Technology within the pump that monitors usage e.g. how many times it has been switched on/off or how long it has been running for. It aids in the diagnosis of issues.



DYNAMIC PUMP CONTROL™

The intelligent electronics that run the motor at a given speed. This makes the pump more energy efficient, responsive and longer lasting.



NOISE/VIBRATION REDUCTION™ (RP)

Product design innovation has been used to reduce the noise and vibrations in a shower pump, including noise reducing feet and specially selected materials which dampen the vibration of the motor.



BRUSHLESS MOTORS™

These motors allow for variable speed control, intelligently using the correct amount of electricity required to drive the pump. They have NO contacting parts which make them less likely to wear out and this combined with tighter tolerances also reduces friction and noise.



ADVANCED MOTOR DRIVE™

Used with brushless motors, this technology controls the spinning and speed of the motor using feedback from other parts of the pump. This allows for an instant reaction, seamless performance and energy efficiency.



MOTOR PUMP INTEGRATION™

The innovative product design building the motor into the pump impeller housing to allow for an extremely compact product. The design also means that the cold waterway helps cool the motor, thereby improving efficiency and product life.



ANTI STICTION PROTECTION (ASP)™ (RP universal)

A film of water across the seals acts a lubricant and prevents them from sticking, however if a pump is not operated for a length of time (a week or so or more) the film of water dries out and this can mean the pump fails to start. Our pumps have electronics which detect when a pump hasn't been used for 48 hours which turn the pump on momentarily to refresh the film of water and prevent the pump from sticking.

THE RIGHT PUMP RANGE

At Salamander Pumps we are continually working to re-engineer and redesign our domestic shower and whole house pumps to make them more efficient and more reliable.

The new RIGHT PUMP range replaces the old ESP, RHP, RSP, and RGP ranges, and continues our commitment to constant innovation, and constantly looking to improve the performance and reliability of our products.

We've upgraded all of our centrifugal pumps to incorporate Crossover technology™, this means that the entire range can supply multi outlets if needed, and in turn we have reduced the number of pumps in the range down from 15 products to 9.

Using an innovative spider web design on the pump impeller housing, we have added rigidity to make the pumps even more robust in design. On the universal variants of the range, we have improved the electronic system protection to make any installation fault diagnosis more easy to understand.

All of these design improvements, and a change of colour to fit in with our new branding, means these are best pumps in terms of noise, and performance.

OLD TO NEW PRODUCT CODES

Here's an easy chart to show you the change in product codes:

Old products		New products
RSP50	→	RP50PT
RHP50		
RSP75	→	RP75PT
RHP75		
RSP100	→	RP100PT
RHP100		
ESP55	→	RP55SU
RGP50		
ESP80	→	RP80SU
RGP80		
ESP120	→	RP120SU
RGP120		
ESP50	→	RP50TU
ESP75	→	RP75TU
ESP100	→	RP100TU



Our Right Pump Universal range are protected by the following patent: Low Water Starvation Protection - GB2402444B

The Right Pump Range is designed to deliver high levels of flow and to boost pressure to appliances throughout the home.

They can boost supplies to washbasins, baths and a whole range of showers from conventional to multi-function or Victorian 'can style' shower heads.

The Right Pump range is available in single or twin ended, positive or universal and the universal variant offers the added benefit of protecting itself against the three most common system faults which cause damage to pumps; dry running, excessive heat and leaks in the system.



QUIETEST TWIN SHOWER PUMP IN THE UK*

Independent testing has shown that the **RP50PT** and **RP50TU** are the quietest 1.5 bar twin ended plastic shower pumps on the market at just 45.5dBA.



* Contact us for details of testing

RIGHT PUMP UNIVERSAL – ELECTRONIC SYSTEM PROTECTION

The Right Pump universal range of pumps contain electronic protection which is designed to protect the pump by responding to unexpected or unforeseen conditions.

The electronic system protection senses when:

- The hot water supply is too hot (temperatures in excess of 60°)
- The pump has air in it
- The pump is being starved of water

If any of these occur the pump will switch off to protect itself and an LED light will appear showing what the problem is:

HUNTING PROTECTION

Flashing: Detecting a potential dripping tap or slow system leak.

Steady: Drip or system leak found.

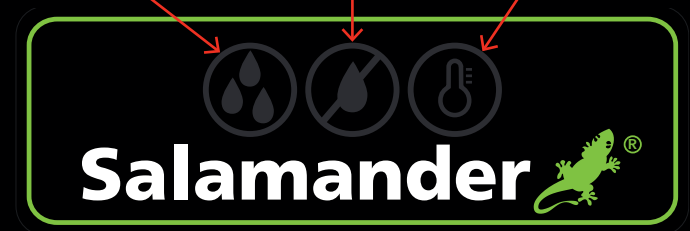
DRY RUN PROTECTION

Flashing: Detecting aeration or water starvation in pump chambers.

Steady: Aeration or water starvation found.

EXCESSIVE TEMPERATURE

Steady: Water is too hot.



1.5 BAR PUMPS

Designed to power a single shower or outlet.



If you want the highest possible flow rate, at the highest possible pressure from a 1.5 bar pump, then the 1.5 bar Right Pumps are the best available on the market.

The centrifugal impeller means these pumps offer better flow and pressure to your shower and are the quietest shower pumps available*.

Equipped with Crossover™ technology the twin ended pumps can be used to pump baths and basins as well as showers.

Quiet. Powerful. Patented technology.

Pump	Application	Bar
RP50PT	Twin end, positive head shower pump	1.5
RP50TU	Twin end, universal shower pump	1.5
RP55SU	Single end, universal shower pump	1.5

*Independently tested, contact us for details. Our Right Pump Universal range are protected by the following patent: Low Water Starvation Protection - GB2402444B



Twin ended only



NVR



S3



INTERROGAI



ASP

... Universal models only ...



FROM
45.4dBA

2.0 BAR PUMPS

Designed specifically for one or two bathroom systems.



Twin ended only



... Universal models only ...



Where there is a need to boost baths, basins and showers, our 2.0 bar Right Pumps offer excellent pressure at flow, quiet operation and Crossover™ technology.

2.0 bar pressure may also be required for multi-jet showers or those with a massage function. Available in single and twin ended and in universal and positive head variants.

Quiet. Powerful. Patented technology.

Pump	Application	Bar
RP75PT	Twin end, positive head shower pump	2.2
RP75TU	Twin end, universal shower pump	2.2
RP80SU	Single end, universal shower pump	2.4

Our Right Pump Universal range are protected by the following patent:
Low Water Starvation Protection - GB2402444B

3.0 BAR PUMPS

Designed to boost whole house.



Twin ended
only



... Universal models only ...



Our 3.0 bar Right Pumps are the best performing pumps available at 3.0 bar in terms of delivering high pressure with high flow. You need these pumps if you are boosting a whole house system, or need to give an extra boost to larger or multi-jet showers.

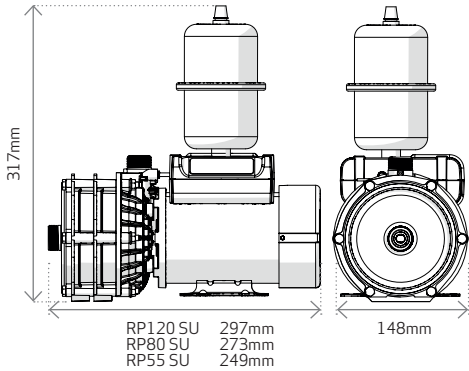
They are quiet and powerful and are the best solution to low water pressure problems throughout the whole house.

Quiet. Powerful. Patented technology.

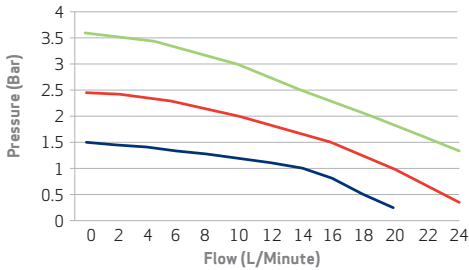
Pump	Application	Bar
RP100PT	Twin end, positive head shower pump	3.0
RP100TU	Twin end, universal shower pump	3.0
RP120SU	Single end, universal shower pump	3.6

Our Right Pump Universal range are protected by the following patent:
Low Water Starvation Protection - GB2402444B

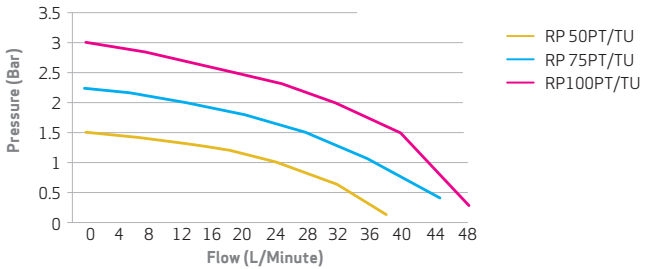
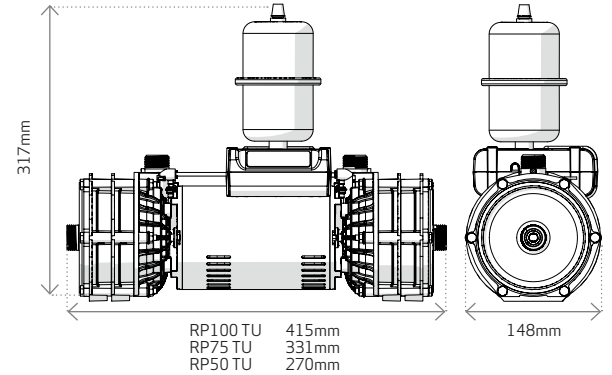
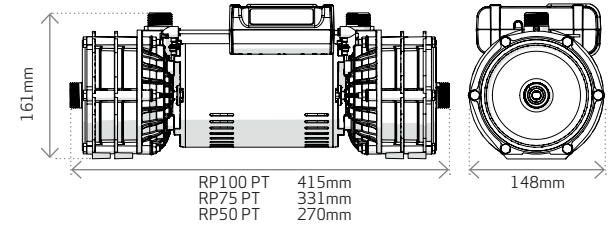
SINGLE ENDED



All Right Pumps have the standard inlet/outlet configuration for ease of replacement.

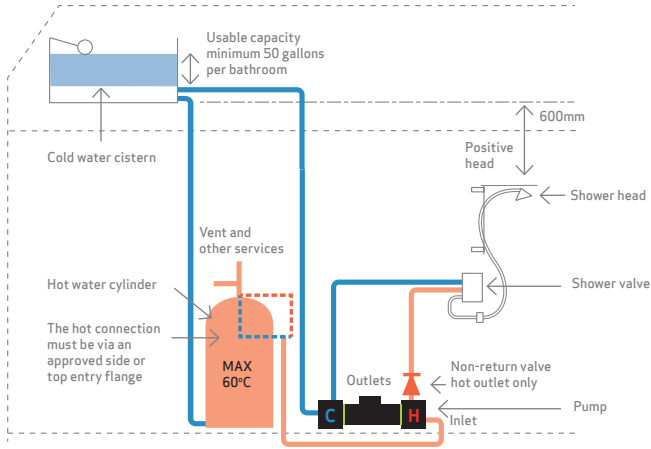


TWIN ENDED



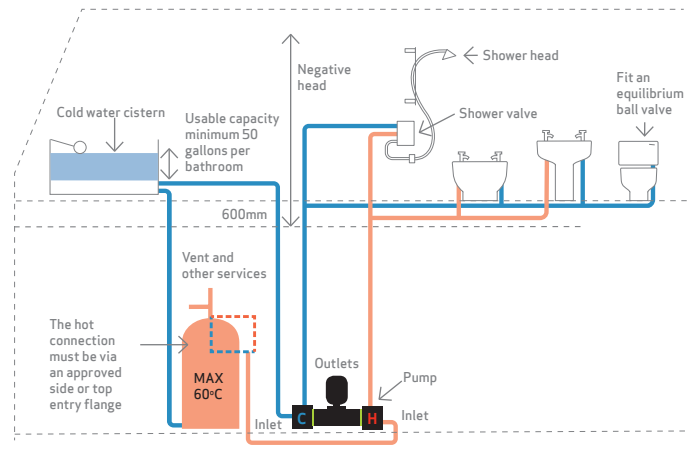
		SINGLE			TWIN					
		RP55SU	RP80SU	RP120 SU	RP50PT	RP75PT	RP 100PT	RP50TU	RP75TU	RP100 TU
FEATURES	Pump Type	Centrifugal								
	Mechanical Seal	Nitrile / Carbon / Ceramic								
	Inlet Isolator(s)	✓	✓	✓	✓	✓	✓	✓	✓	✓
	Flexible Hoses	2	2	2	4	4	4	4	4	4
PERFORMANCE	Bar Pressure @ 16lpm	1.3	2.1	3.15	1.2	1.9	2.65	1.2	1.9	2.65
	Bar Pressure @ 8lpm	1.4	2.3	3.4	1.35	2.1	2.85	1.35	2.1	2.85
	Bar Pressure @ closed head	1.5	2.4	3.6	1.5	2.2	3	1.5	2.2	3
	Maximum Water Temperature	60°C								
	Pressure Vessel Air Pre-Charge	8 psi	14psi	20psi				8 psi	14psi	20psi
CONNECTIONS	Pump Connections	3/4" BSP								
	Flexible Hoses UK Model	3/4" Female x 22 mm Push-Fit (15mm on RP50PT) x 280mm long - isolating valves on all hoses								
	Flexible Hoses ROI Model	3/4" Fe male x 21mm Push-Fit x 280mm long - isolating valves on all hoses								
MOTOR	Type	A.C Induction Motor								
	Duty Rating	Continuously Rated								
ELECTRICAL	Power Supply	230 V								
	Current (full load) - Amps	1.10	1.75	2.35	1.4	2.7	4.6	1.4	2.7	4.6
	Power Consumption - Watts	245	400	565	325	630	1045	325	630	1045
	Fuse Rating - Amps	3	3	3	3	5	5	3	5	5
	Power Cable (pre-wired)	1.5 metres								
PHYSICAL	Enclosure Protection (IP Rating)	IPX2								
	Weight (Excluding Hoses) - kg	6.4	6.7	7.0	4.8	6.0	9.1	5.6	6.7	9.9

POSITIVE HEAD SYSTEM



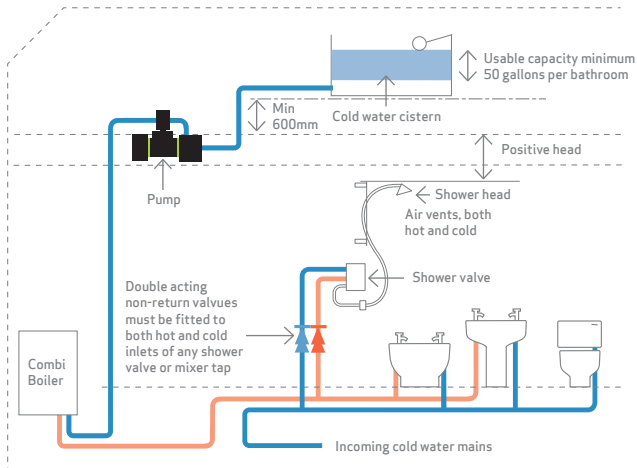
Right Pump twin ended positive head with a natural flow of 1 ltr/min per side.

NEGATIVE HEAD (UNIVERSAL) SYSTEM



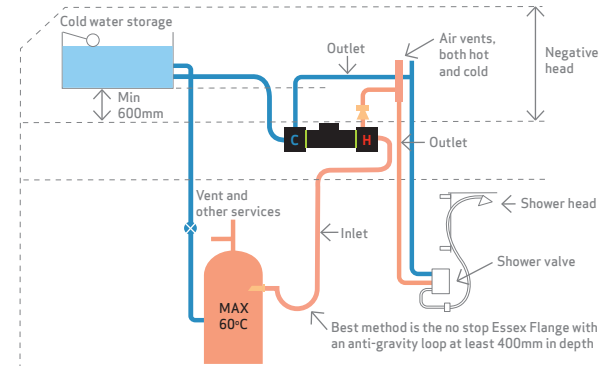
Right Pump twin ended universal to a bathroom in a loft conversion.

PUMPED TANK SUPPLIES TO COMBI OR PRESSURISED CYLINDER

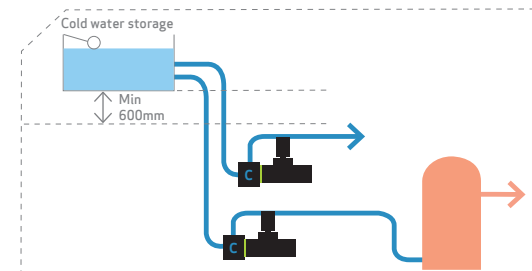


Tank-fed, pressurised cylinder or combi boiler system with Right Pump single ended universal pump to boost the hot supply water pressure and cold water mains supplies 'cold' to shower, bath, basin and toilet.

PUMP ABOVE CYLINDER



PUMPING TO AN UNVENTED CYLINDER



Two single negative head pumps, one supplies the unvented cylinder, the other supplies cold to the property.

RIGHT PUMP RANGE								
TWIN			SINGLE			TWIN		
RP50PT	RP75PT	RP100PT	RP55SU	RP80SU	RP120SU	RP50TU	RP75TU	RP100TU

CENTRIFUGAL PUMPS FOR GRAVITY FED INSTALLATION

PERFORMANCE

Bar Rating/Closed Head	1.5	2.2	3.0	1.5	2.4	3.6	1.5	2.0	3.0
PUMP									
Positive Head	●	●	●	●	●	●	●	●	●
Universal/Negative Head				●	●	●	●	●	●

FUNCTION

Shower Only	●	●	●	●	●	●	●	●	●
Whole House	●	●	●	●	●	●	●	●	●
Individual Taps / Outlets	●	●	●	●	●	●	●	●	●
Combi Boiler/Unvented Cylinder					●	●			
Instant Electric Shower				●	●	●	●	●	●
Washing Machine / Dishwasher				●	●	●	●	●	●
Conventional Shower	●	●	●	●	●	●	●	●	●
Victorian Can Shower Head		●	●		●	●		●	●
Multi Function Shower				●	●	●	●	●	●
Body Jets (4 max)					●	●		●	●
Toilets	●	●	●	●	●	●	●	●	●
Washbasins	●	●	●	●	●	●	●	●	●

CONNECTION SIZE / TYPE

HOSE	Pushfit (mm)	15	22	22	22	22	22	22	22
ISOLATORS	Inlet	●	●	●	●	●	●	●	●
	Outlet	●	●	●	●	●	●	●	●

WARRANTY

As standard	3 years
-------------	---------

* If supplying a mixer shower/tap with cold mains water, a single ended, negative head pump, that matches the mains pressure as close as possible should be used for the gravity hot water. Please note - some positive, single ended pumps may need to be converted to negative head in certain installations. For advice please call Pumpwise on 0191 516 2002.

Get in touch,
we're here to help
call us on
0191 516 2002

Unit 2c Colima Avenue
Enterprise Park West
Sunderland, SR5 3XE



salamanderpumps.co.uk

