

FRANKE FILTERFLOW

Cartridge Replacement - White Plastic Housing

The cartridge in your Franke filter system needs to be changed every 6 months. At this stage the carbon within the filter cartridge begins to lose its effectiveness.

Changing your Franke filter system's cartridge is simple and straightforward...

1. Shut-off the mains water supply. A stop valve was supplied with your Franke filter tap for this purpose. This can be located by tracing the 3/8" blue inlet tube from the filter housing back to the adjacent pipework.
2. Turn your Triflow tap's filtered water lever to the 'ON' position and leave it on. This will confirm that the water supply is turned off and release the pressure in the system.
3. Position a suitable receptacle under the filter housing assembly 'D' to catch residual water. Grip the sump 'A' firmly with both hands and turn it to the left until you feel the seal release.
4. Lift the filter housing assembly from its bracket 'E'. Hold the head 'B' in one hand and continue to unscrew the sump with the other.
5. Discard the water in the sump and set it to one side.
6. Hold the head in one hand and unscrew the cartridge 'C' with the other. The ceramic and carbon components of the cartridge are bio-degradable. The cartridge can be discarded with your normal household waste. If you would prefer to return the cartridge for recycling you can, simply allow it to dry, repack it in the new cartridge packaging, and return it to Franke FilterFlow.
7. We recommend that you wash the sump in warm, soapy water and rinse it well.
8. Unpack the new filter cartridge and carefully screw it in place into the female thread in the head. Tighten the cartridge only sufficient to make a seal. Do not be tempted to over tighten as you will risk snapping the threaded section and/or breaking the ceramic.
9. Screw the head and sump back together and tighten firmly to make a water tight seal. Prior to this stage you may lubricate the rubber seal 'F' with a smear of WRAS approved silicon grease. Tubes of a suitable silicon grease are available at www.FrankeFilterFlow.co.uk

Important note. Under no circumstances should the housing be allowed to come in to contact with non-approved lubricants and solvent cleaners as a catastrophic failure may occur. If in doubt please contact Franke FilterFlow for advice.

10. Replace the unit on the bracket and turn on the water supply.

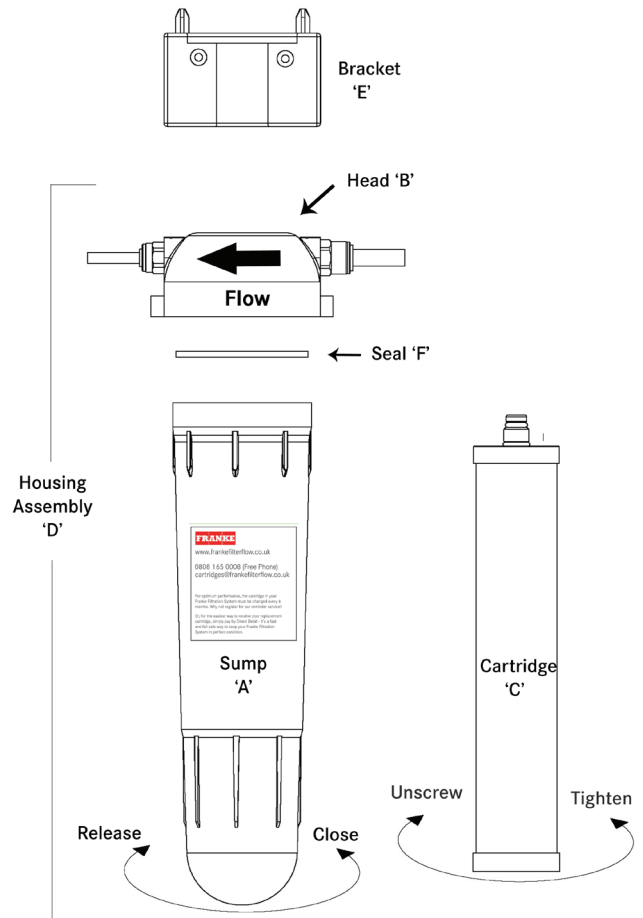
11. Run the filtered water for 10 minutes to condition the cartridge and carefully check the system for leaks. Your Franke filter system is now ready for use.

Decommissioning your Franke filter system

If you plan to be away from home for extended periods, or if there is a risk of freezing, we recommend that you decommission and drain your Frank filter system.

To do this, follow the cartridge replacement procedure to step 10, omitting steps 6, 7 and 8, but leaving the stop valve in the 'OFF' position.

To re-commission your system simply turn the stop valve to the 'ON' position and run the filtered water for 5 minutes to flush the system. Carefully check for leaks. The system will then be ready to use again.



FRANKE FILTERFLOW

Cartridge Replacement - Stainless Steel Housing

The cartridge in your Franke filter system needs to be changed every 6 months.

At this stage the carbon within the filter cartridge begins to lose its effectiveness.

Changing your Franke filter system's cartridge is simple and straightforward...

1. Shut-off the mains water supply. A stop valve was supplied with your Franke filter tap for this purpose. This can be located by tracing the 3/8" blue inlet tube from the filter housing back to the adjacent pipework.
2. Turn your Triflow tap's filtered water lever to the 'ON' position and leave it on. This will confirm that the water supply is turned off and release the pressure in the system.
3. Position a suitable receptacle under the filter housing assembly 'D' to catch residual water.
4. Carefully lift the filter housing assembly from its retaining bracket 'E'. Firmly grip the head 'B' and release the sump 'A' by turning it in the direction indicated in the diagram.
5. Remove the sump, discard the water it contains and set it to one side.
6. Holding the head in one hand, unscrew and remove the used cartridge 'C' with the other.
7. The ceramic and carbon components of the cartridge are bio-degradable. The cartridge can be discarded with your normal household waste. If you would prefer to return the cartridge for recycling you can, simply allow it to dry, repack it in the new cartridge packaging, and return it to Franke FilterFlow.
8. We recommend that you wash the sump in warm, soapy water and rinse it well.
9. Unpack the new filter and carefully screw it in place into the female thread in the head. Tighten the cartridge only sufficient to make a seal. Do not be tempted to over tighten as you will risk snapping the threaded section and/or breaking the ceramic.
10. Reassemble the housing; holding the head in one hand while repositioning the sump with the other. Refer to the diagram and turn the sump in the direction indicated to close it. Make sure that the sump is fully engaged with the head. Prior to this stage you may lubricate the rubber seal 'F' with a smear of WRAS approved silicon grease. Tubes of a suitable silicon grease are available at www.FrankeFilterFlow.co.uk

11. Replace the unit on the bracket and turn on the water supply.

12. Run the filtered water for 10 minutes to condition the cartridge and carefully check the systems for leaks. Your Franke filter system is now ready for use.

Decommissioning your Franke filter system

If you plan to be away from home for extended periods, or if there is a risk of freezing, we recommend that you decommission and drain your Franke filter system.

To do this, follow the cartridge replacement procedure to step 10, omitting steps 6, 7, 8 and 9 but leaving the stop valve in the 'OFF' position.

To re-commission your system simply turn the stop valve to the 'ON' position and run the filtered water for 5 minutes to flush the system. Carefully check for leaks. The system will then be ready to use again.

