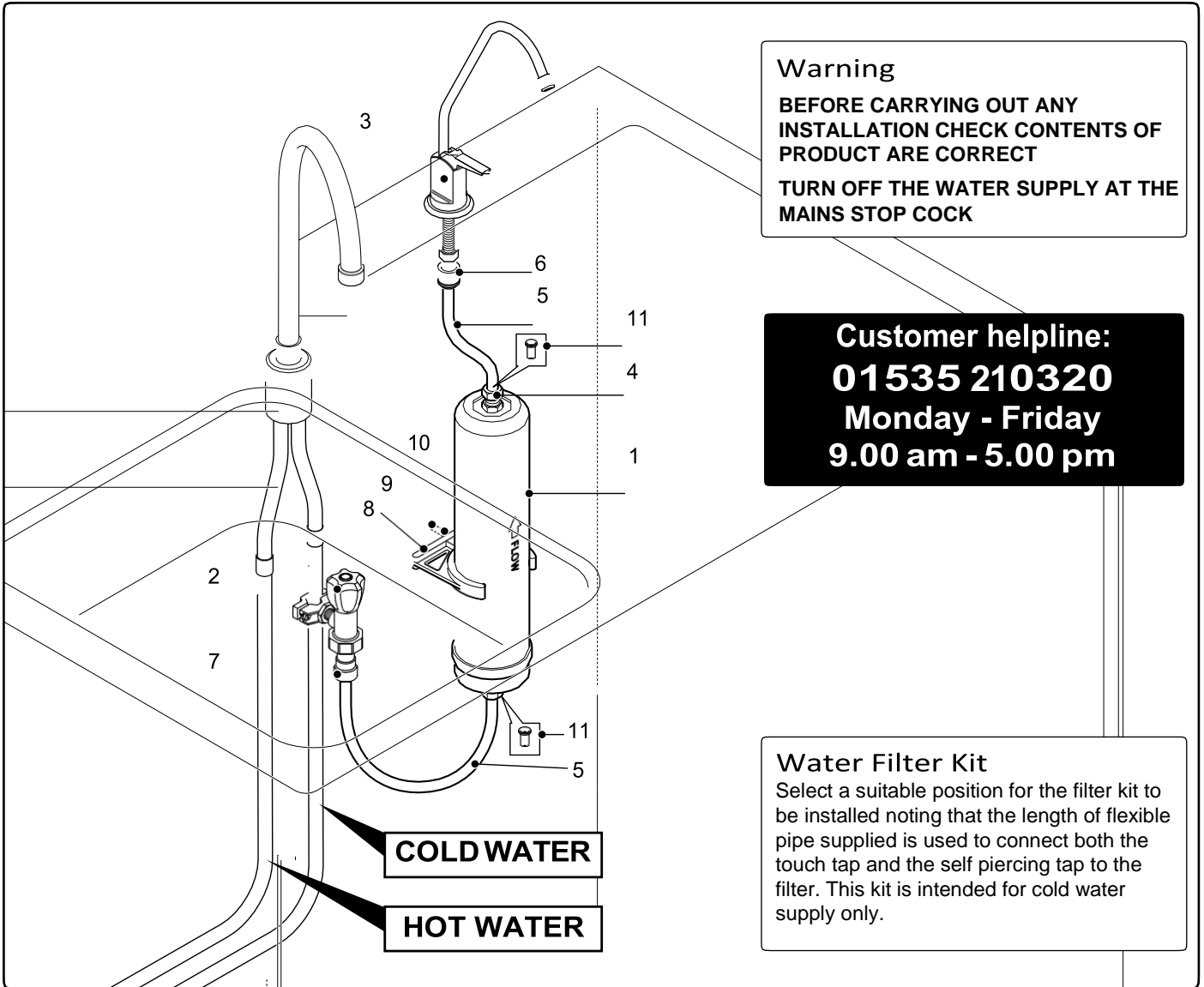


TOOLSTATION

1-STAGE POINT OF USE FILTER 84582



All contents are checked and sealed in a security bag. Please check the contents carefully prior to installation.

Exchanges or refunds can only be made on receipt of the product in full working order with no parts missing or broken.

KEY	PART NO	DESCRIPTION	QTY.	COLOUR
1	ZA-CART-002013	10" Slim Cartridge	1	White
--	ZA-DIY-004002	Toolstation Inhouse Instructions	1	
2	ZA-DWFK-003003	Self Cutting Tap	1	Chrome
3	ZA-DWFK-003004	CalTap lever drinking tap	1	Chrome
4	ZA-DIY-004001	1/4" male - 3/8" reducer (brass)	2	Brass
5	ZA-DWFK-003006	3/8" pipe	1	Various
6	ZA-DWFK-003007	Drinking tap fitting 3/8 x 7/16	1	Grey or White
7	ZA-DWFK-003008	3/4" F - 3/8" pushfit fitting	1	Grey
8	ZA-DWFK-003021	2 1/2" single clip/slim filter clamp	1	White
9	ZA-GEN-PLUG	6mm wall plug	1	Grey
10	ZA-GEN-SCREW	1 1/4" screw	1	Zinc Plated
11	ZA-DWFK-003005	3/8" Pipe Insert	2	Grey

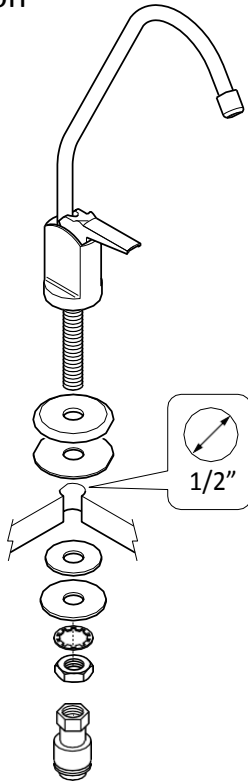
Guarantee

This product for the period of one year from the date of purchase against any manufacturing fault. The guarantee is only valid if the product has been installed and used in accordance with the manufacturers instructions and has not been interfered with in any way. Damaged caused to the product or by the product as a result of failure to use the product in accordance with the manufacturers instructions is not covered by this guarantee. Under this guarantee we undertake at our discretion to repair or replace free of charge the product of any part which is found to be faulty. Costs associated with the fitting of a replacement product or part or the removal of the product is not covered by this guarantee. Loss or damage caused by the product (including consequential loss) is not covered by the guarantee. This guarantee does not affect your statutory rights.

INSTALLATION

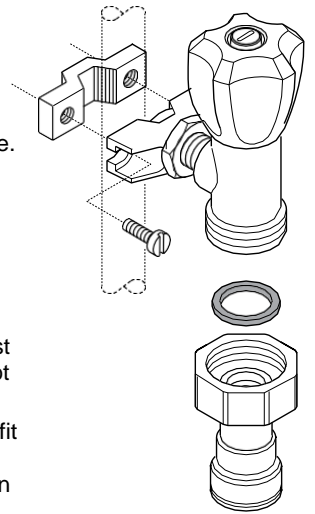
1 - Touch Tap Installation

- Select a suitable position for the touch tap assembly. This can be fitted either through a worktop or a sink unit.
- Drill a 1/2" diameter clearance hole at the desired position.
- Slide the large chrome washer followed by the large rubber washer over the threaded part of the touch tap.
- Pass the threaded part of the touch tap through the hole.
- Pass the remaining rubber washer over the threaded part of the protruding thread, followed by the remaining washers and nuts.
- Tighten the nut with a suitable spanner.
- Position the touch tap so that the water will flow into the sink.
- Fit the 7/16" female - 3/8" pushfit fitting using a suitable spanner to ensure a watertight joint.
- PTFE tape may be used if necessary.



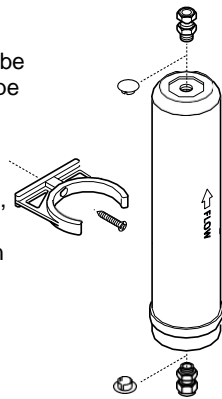
2 - Self Cutting Tap Installation

- Position the backplate behind the 15mm cold water pipe.
- Clamp the saddle to the backplate using the screws supplied. Tighten after cutting the copper pipe.
- Screw the male thread of the tap body into the copper pipe so that the cutter cuts into the copper pipe.
- Position the tap body so that the flexible pipe can be connected to the filter cartridge inlet connector without kinking.
- Do not unscrew the tap body more than half a turn.
- Tighten the chrome locknut against the saddle using a spanner. Do not overtighten.
- Attach the 3/4" female - 3/8" pushfit fitting (7) to the outlet of the self cutting tap. Ensure the washer is in place.



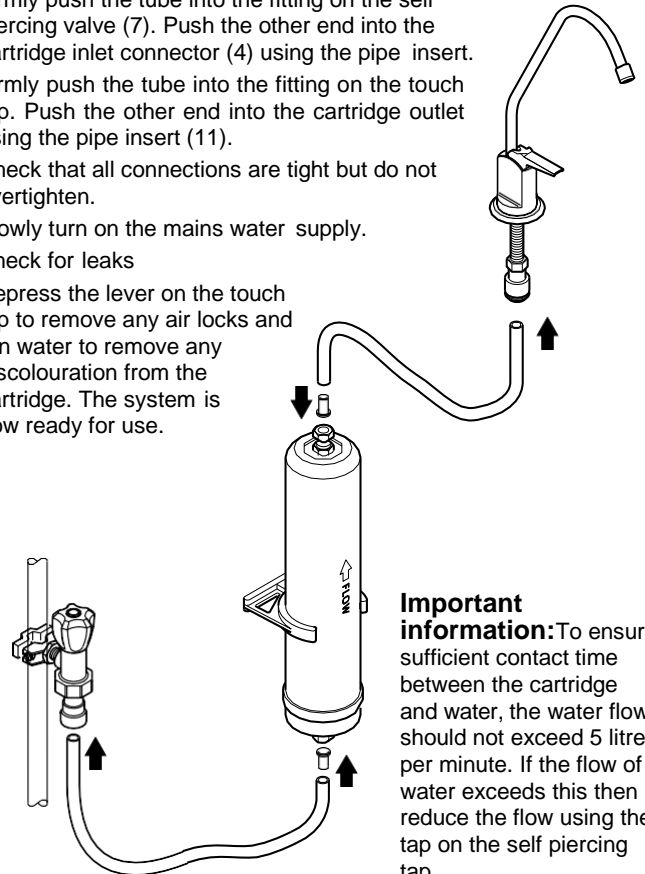
3 - 10" Slim Cartridge

- Select a suitable position for the filter kit to be installed noting that the length of flexible pipe supplied is used to connect both the touch tap and the self piercing tap to the filter.
- Attach the holding clip (8) to the wall or cupboard side using the fixings supplied (9, 10) and push the cartridge (1) into the clip making note of the directional flow arrow on the cartridge is pointing upwards.
- Remove the protective caps if required. Fit the inlet and outlet connectors (4) to the cartridge. PTFE tape may be used if necessary.



4 - Final Assembly

- Cut the flexible pipe into two lengths suitable to reach the self piercing tap and touch tap.
- Firmly push the tube into the fitting on the self piercing valve (7). Push the other end into the cartridge inlet connector (4) using the pipe insert.
- Firmly push the tube into the fitting on the touch tap. Push the other end into the cartridge outlet using the pipe insert (11).
- Check that all connections are tight but do not overtighten.
- Slowly turn on the mains water supply.
- Check for leaks
- Depress the lever on the touch tap to remove any air locks and run water to remove any discoloration from the cartridge. The system is now ready for use.

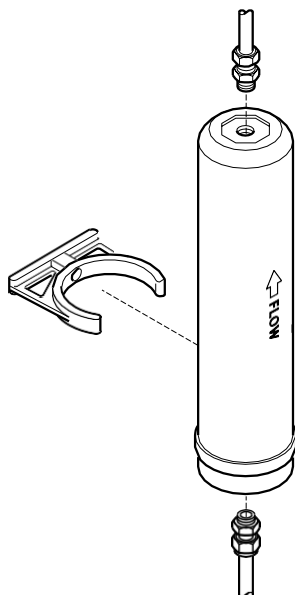


Important information: To ensure sufficient contact time between the cartridge and water, the water flow should not exceed 5 litres per minute. If the flow of water exceeds this then reduce the flow using the tap on the self piercing tap.

SERVICE

Changing the Cartridge

- Shut off the water supply.
- Depress the touch tap to release water pressure in the flexible pipe.
- Remove used cartridge, remove fittings and dispose of the cartridge only. Re-use fittings.
- Noting the direction of flow arrow on the new cartridge connect the inlet and outlet connectors as previous and push firmly back onto the clip.
- Slowly turn on the mains water supply.
- Check for leaks.
- Depress the lever on the touch tap to remove any air locks and run water to remove any discoloration from the cartridge.
- The system is now ready for use.



Note: It is recommended that the filter cartridge is replaced every six months or when you notice a change in the quality of your drinking water. Please order replacement filter cartridges quoting the reference number given below to ensure the correct filter cartridge is purchased.

Replacement Cartridge Order No.10004

Call Free: 0808 100 7211

or Visit the website www.toolstation.com