

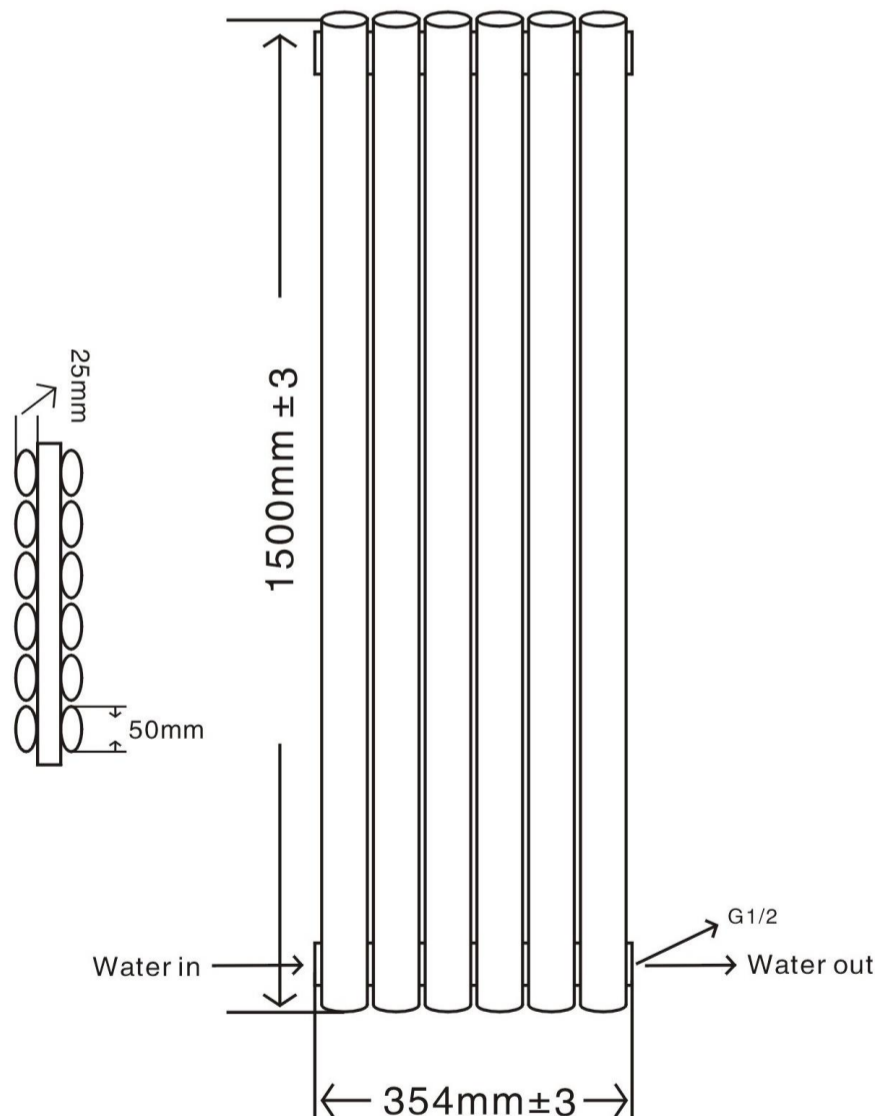
Double Panel Designer Radiator - Colour: Anthracite - Size: 1500*354*78

Product Specification:

Code:	RAD10
Barcode:	5215001001009
Product Weight (KG):	26.64
Standards:	BS EN 442-1:1996
Construction Material:	Low Carbon Steel
Installation Type:	Wall Mounted
Colour / Finish:	Anthracite
Certification (WRAS, TMV etc):	No
BTU:	3371
Watts:	988
Hang Type:	Horizontal or Vertical
Rails:	n/a
Columns:	6
Pipe Centres (mm):	Hung Vertical = 424 Hung Horizontal = 1455
Wall to Face (mm):	105
Central heating installation:	Yes
Electrical element installation:	No
Bar Type:	Double
Panel Type:	Round



Dimensions:



Packaging Dimensions:

Single SKU Box	Length (mm)	Width (mm)	Hight (mm)	G.W (Kg)
	1560	410	115	29.3

The information contained on this page was correct at date of issue. Fitting dimensions are provided as a guide only. Some variation may occur due to manufacturing tolerances. Cassellie Ltd peruses a policy of continuing improvement in design and performance of its products and so reserves the right to change specifications without prior notice