

**ALUKAP<sup>®</sup>-XR**

## Superior Roof Glazing System Installation Guide



## Your ALUKAP®-XR System

Whether you are planning your next project using ALUKAP®-XR, or have just purchased your ALUKAP®-XR system, this *Installation Guide* provides the information you may require to make the installation of your ALUKAP®-XR system straightforward. The system is inherently intuitive, however these guidelines will provide an additional layer of support, no matter how complex your project is.

## We Are Here To Support You

We understand that even with comprehensive Installation Guidelines, there can sometimes be a question that you can't find the answer to, so we're here to help you all the way. Visit [www.clearamber.com](http://www.clearamber.com) and get in contact with our Help Teams via live chat, phone or email, who will be on hand to assist with any queries you may have.

## Index:

---

### Part 1 : ALUKAP®-XR Bar Parts Available

[https://www.clearamber.com/browse/tc-ALUKAP\\_XR-217/](https://www.clearamber.com/browse/tc-ALUKAP_XR-217/)

ALUKAP®-XR : Bar Parts Available .....	3
ALUKAP®-XR : Bar and Glazing Installation Guide .....	4-7











### Part 2 : ALUKAP®-XR Additional Parts Available

[https://www.clearamber.com/browse/tc-ALUKAP\\_XR-217/](https://www.clearamber.com/browse/tc-ALUKAP_XR-217/)








ALUKAP®-XR : Additional Parts Available .....	7-8
ALUKAP®-XR : Hip Bar .....	9
ALUKAP®-XR : Roof Lantern End and Lantern Caps .....	9-10
ALUKAP®-XR : Ridge Bar .....	10-12
ALUKAP®-XR : Valley Bar .....	13
ALUKAP®-XR : Horizontal Glazing Bar .....	13

## Part 1 : ALUKAP®-XR Bar Parts Available

Below is a list of the core ALUKAP®-XR Glazing Bar types available and items that could be supplied with each bar, most of which you will need for your project, depending on the design of your project.

<p>ALUKAP®-XR Wall Bar</p>  <p>ALUKAP®-XR</p>	<p>ALUKAP®-XR 60mm Bar</p>  <p>ALUKAP®-XR</p>	<p>ALUKAP®-XR Gable Bar</p>  <p>ALUKAP®-XR</p>	<p>ALUKAP®-XR 45mm Bar</p>  <p>ALUKAP®-XR</p>	<p>Standard Bar Gaskets and Screws [included]</p>  <p>One Standard Bar End Cap [included]</p> 
<p><b>Rafter Gasket options available for each bar type:</b></p>				
<p>45mm Rafter Gasket</p> 	<p>45mm Slot-fit Rafter Gasket</p> 	<p>55mm Rafter Gasket</p> 	<p>55mm Slot-fit Rafter Gasket</p> 	

### Glazing Sheets and Accessories:

<p><b>AXIOME® 16mm Triplewall Sheets</b> (also in 4mm, 6mm, 10mm, 25mm and 35mm)</p> 	<p><b>16mm Endstop bar</b> (also in: 6.4mm, 10mm, 25mm, 28mm and 35mm)</p>  <p>ALUKAP®-XR</p>	<p><b>Anti-dust tape</b></p>  <p>ALUKAP®-XR</p> <p><b>*Recommended item</b></p>
<p><b>AXGARD® Polycarbonate Sheets</b> (also in 4mm, 5mm, 6mm, 8mm, 10mm and 12mm)</p> 		
<p><b>Double Glazed Units</b></p> 		
<p><b>Glass</b></p> 	<p><b>Timber Rafters and battens</b></p> 	

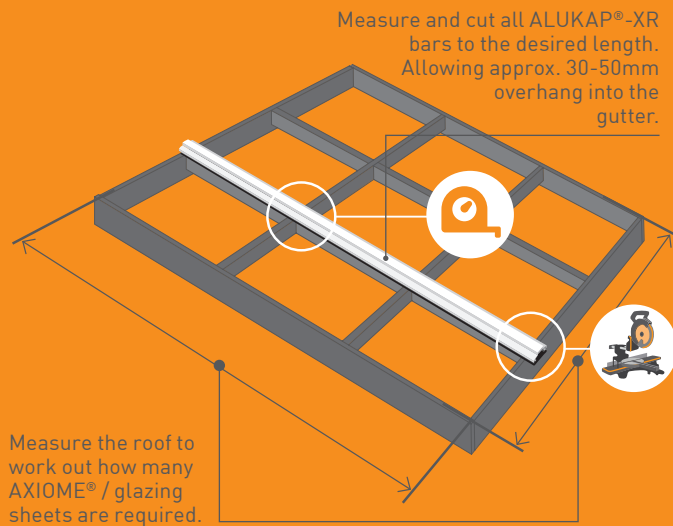
### Tools required

 <p>Protective gloves and glasses</p>	 <p>Tape measure and fine toothed bladed Chop Saw</p>	 <p>Cordless screwdriver/drill, Philips headed screwdriver, soft rubber headed hammer, a straight edge tool and AXIOME® compatible sealant plus a sealant gun.</p>
--	--	--

## ALUKAP®-XR : Bars and Glazing Installation Guide

**1** Take all **measurements** of the roof rafters

**IMPORTANT:** Wear sufficient protective clothing



Cut lengths of the **wider Rafter Gaskets** to the **same dimensions as the ALUKAP®-XR base bars** (one for each bar).

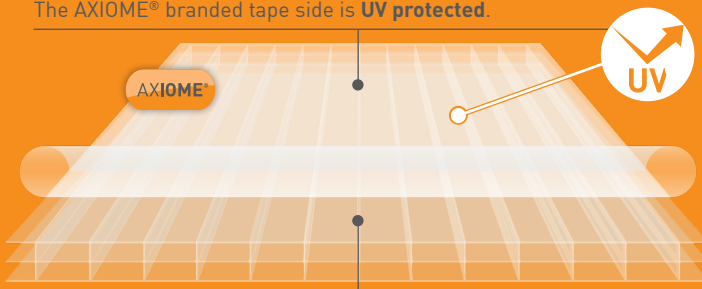
Cut **two lengths** of the **thin standard bar gasket** to the same length as the ALUKAP®-XR base bar →

**2** Prepare the **AXIOME® SHEETS** before installation

Where applicable, fit the **ALUKAP®-XR End Stop Bar** to the edge of the glazing material which works with ALUKAP®-XR glazing bars creating a frame to seal the glazing material and reduce any risk of slippage.

**IMPORTANT** – Store the AXIOME® sheets in a **clean, dry area** to prevent moisture getting into the flutes.

There is **protective film on both sides** of the AXIOME® sheet. The AXIOME® branded tape side is **UV protected**.



Ensure that you are working in a **clean dry area**, **pull the protective film back approximately 100mm from the open edge on both sides**, taking care not to scratch the surface.

**3** Apply the **ANTI-DUST TAPE** to the AXIOME® sheets

**IMPORTANT** – All adhesives suffer reduced initial bonding strength in cold conditions – **avoid applying tape below 5°C.**



Stick the **AXIOME® Anti-dust Breather Tape** onto the top surface in a straight line from one side to the other, allowing enough to wrap around and bond to the underside. **If it is necessary to join the tape mid-panel, ensure that there is a minimum 25mm overlap.**

**4** Apply the **ALUKAP®XR Endstop bar** to the AXIOME® sheets

Cut the Endstop Bar to the width of each AXIOME® Sheet, and **push-fit partway ONLY** so that the open edge of the Endstop Bar just covers about **10-15mm of the glazing material**.



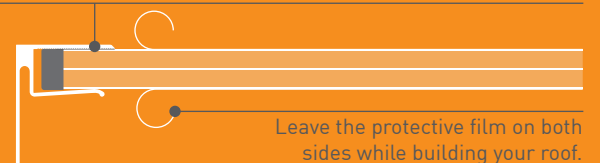
**5** Apply the **AXIOME® compatible sealant**

Run a thin, consistent bead of AXIOME® compatible sealant along the edge of the **Endstop bar and Anti-dust Breather Tape**.



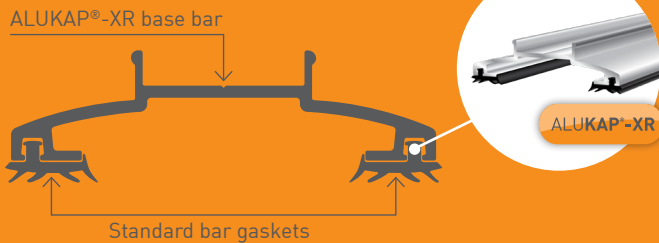
**6** Final stage of fitting the ALUKAP®-XR Endstop Bar

**PUSH** the **ALUKAP®-XR Endstop bar FULLY into place**, so that the leading edge slides over the bead of sealant, creating a seal that eliminates capillary action.



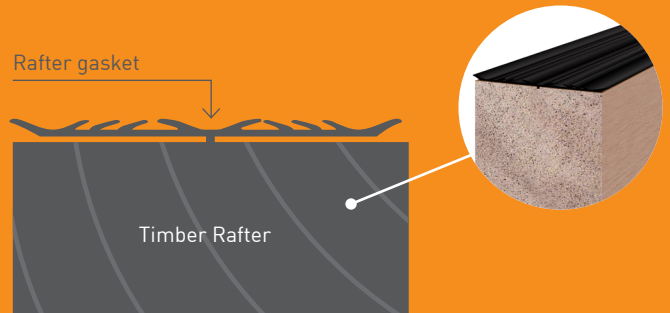
## 7 Fit the thin Standard Bar Gaskets to the Endstop Bars

Carefully **INSERT** the thin Standard Bar Gaskets into the grooves on the base of the bar ensuring that the gasket matches the contours of the ALUKAP®-XR Base Bar.



## 8 Fit the Rafter Gaskets to the existing rafters

Position the ALUKAP®-XR rafter gasket over the existing rafters.



## 9 Position the prepared glazing sheets onto the rafters

Lay your glazing materials on top of the rafter gasket and rafters, allowing enough space in between the sheets for the fixing screws and thermal expansion appropriate to the chosen glazing material.



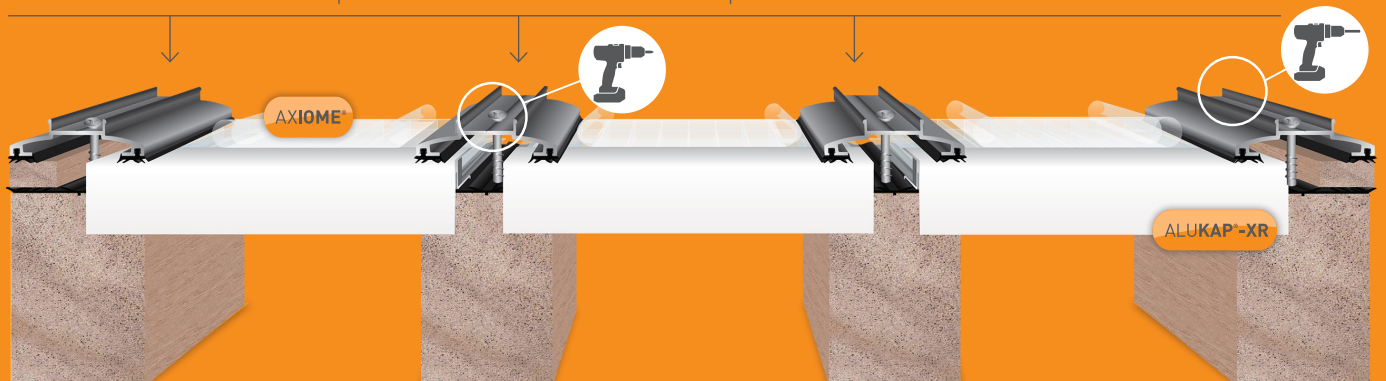
### NOTE – ALUKAP®-XR Gable & Wall Bars ONLY

- When using AXIOME® or AXGARD® the material can be extended right across the rafter under the outermost ALUKAP®-XR bar gasket.

- Where glass is chosen for the glazing material rather than AXIOME® or AXGARD®, the ALUKAP®-XR Wall & Gable bars will require a timber packer under the outer edge gasket. The battens width is [12mm] and height (x) equates to the glazing thickness plus 2mm. The ALUKAP®-XR rafter gasket should run under the timber packer.

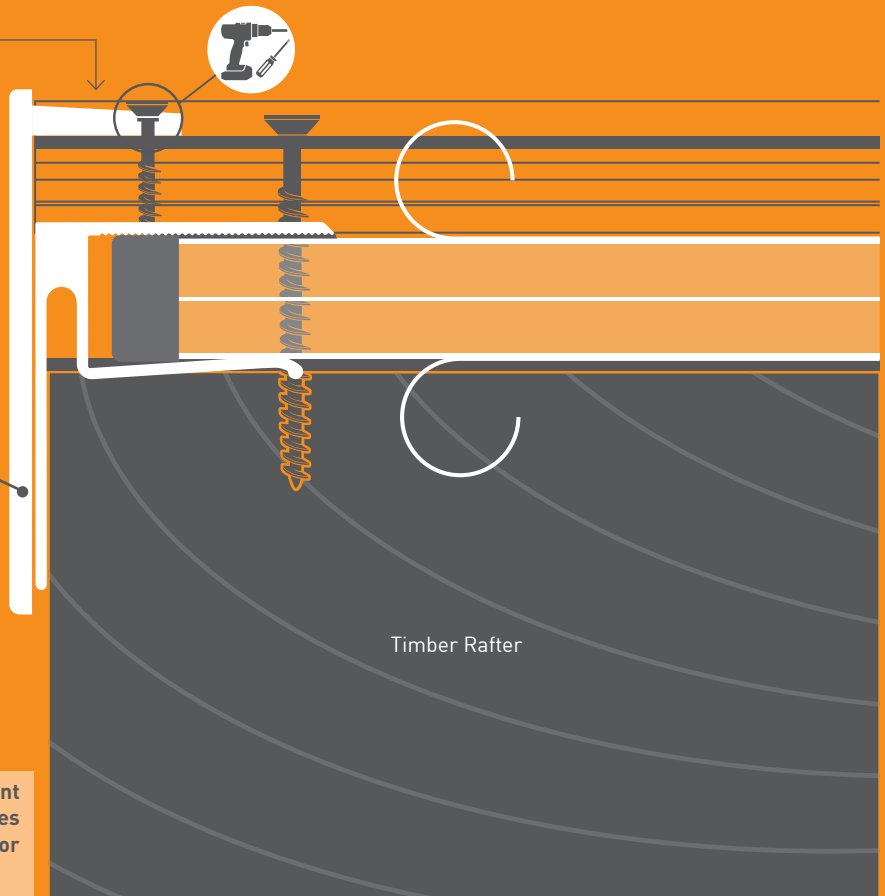
## 10 Fitting the ALUKAP®-XR base bars

- Lay the ALUKAP®-XR base bars directly above the each rafter, on top of the glazing material.
- Drill pilot holes through the pre-drilled holes in the ALUKAP®-XR base bar, into the rafter as required.
- Screw the ALUKAP®-XR base bar into place, taking care not to over-tighten the screw, but ensuring they are tight enough that the gaskets create a uniform seal with the glazing material.



## 11 Fit the ALUKAP End Cap to the front of each bar

1. Place the ALUKAP® End Cap into place at the end of the base bar butting up against the ALUKAP®-XR End Stop Bar / glazing material.
2. Make a marking on the base bar to position the screw fixing, remove the End Cap and drill a 2.5mm hole into the ALUKAP®-XR base bar to suit the screw for the ALUKAP®-XR End Cap.
3. Place the ALUKAP® End Cap back into place and use the short screw provided to secure in place.



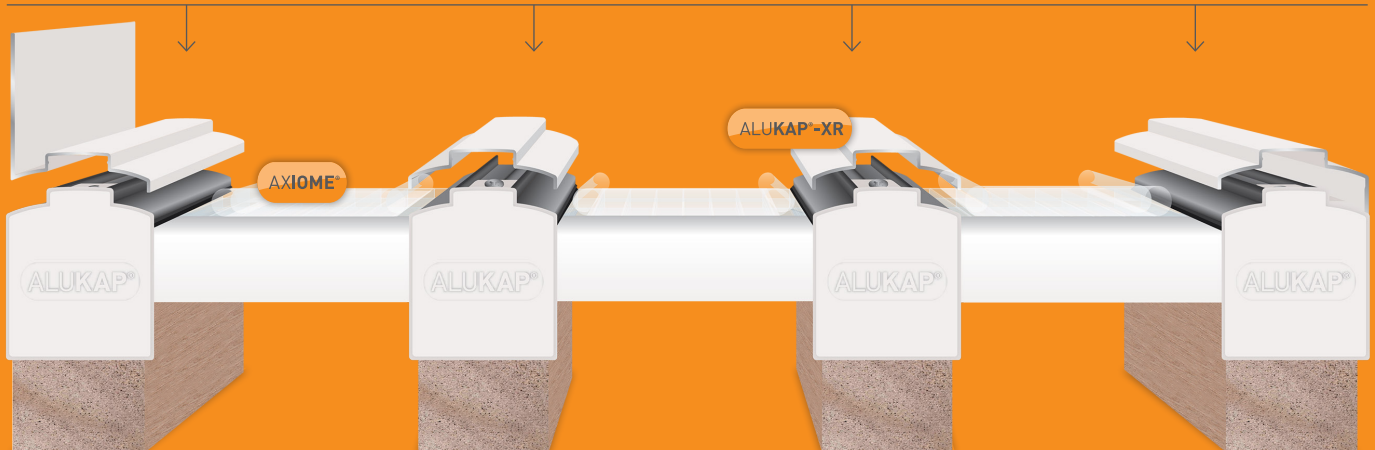
Timber Rafter

Make any **ADDITIONAL SEALS** with a suitable sealant as required where the Alukap-XR base bar makes any abutments or connections to Walls, Hip bars or Ridge bars.

SECTION DETAIL

## 12 Measure and cut the ALUKAP®-XR Top Clips for each bar

1. Carefully cut the ALUKAP®-XR Wall, Standard Bar and Gable Bar Top Clips to the accurate length required including any mitre or angled cuts for a perfect aesthetically pleasing finish.
2. For sealing the ALUKAP®-XR Wall Bars to the wall, administer a suitable sealant to the ribbed backing of the ALUKAP®-XR Wall Bar to create an abutment to the adjacent wall. Then dress a lead flashing or flashing tape over the upstand of the ALUKAP®-XR Wall Bar.



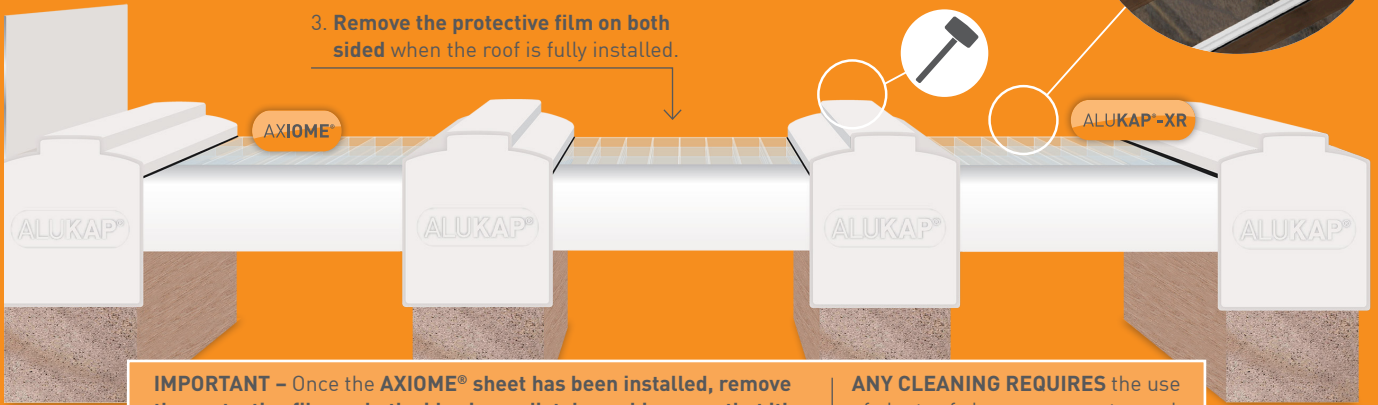
# 13 Fit the ALUKAP®-XR Top Clips to each bar

1. Using a **suitable rubber/plastic headed hammer**, carefully snap the ALUKAP®-XR top clips onto the base bar along the whole length concealing the fixings.

2. **For sealing the completed roof structure at the back**, administer a **suitable sealant** or fit **lead flashing or flashing tape** across the back wall, dressing it down over the glazing by approximately 150mm-200mm depending on your pitch.



3. Remove the protective film on both sided when the roof is fully installed.



**IMPORTANT** – Once the AXIOME® sheet has been installed, remove the protective film on both sides immediately, making sure that it's clean before removal, so that dirt or dust particles are not transferred to the surface of the AXIOME® sheet.

**ANY CLEANING REQUIRES** the use of plenty of clean, soapy water and a soft, abrasive-free cloth.

## Part 2 : ALUKAP®-XR Additional Parts Available

### ALUKAP®-XR Hip Bar comes with:

ALUKAP®-XR Hip Bar, Standard Bar Gaskets and Screw fitting (included)

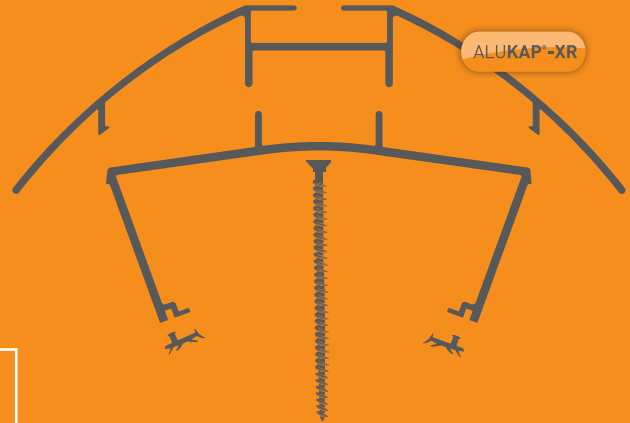


One Standard Bar End Cap (included)



### ALUKAP®-XR Ridge Bar comes with:

ALUKAP®-XR Ridge Bar, Standard Bar Gaskets and Screw fitting



### Rafter Gasket options available for both bar types:

45mm Rafter Gasket



45mm Slot-fit Rafter Gasket



55mm Rafter Gasket



55mm Slot-fit Rafter Gasket



### ALUKAP®-XR Ridge Bar Radius Endcap



### ALUKAP®-XR Ridge Top Clip

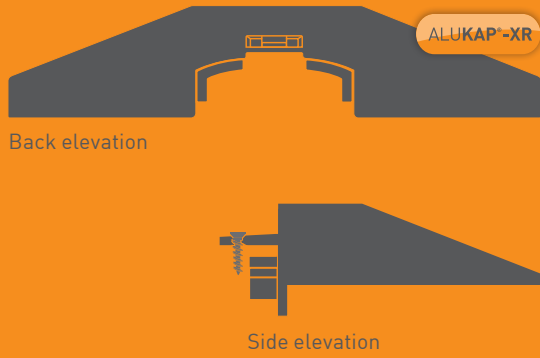


### ALUKAP®-XR Ridge Bar End Plate - back view

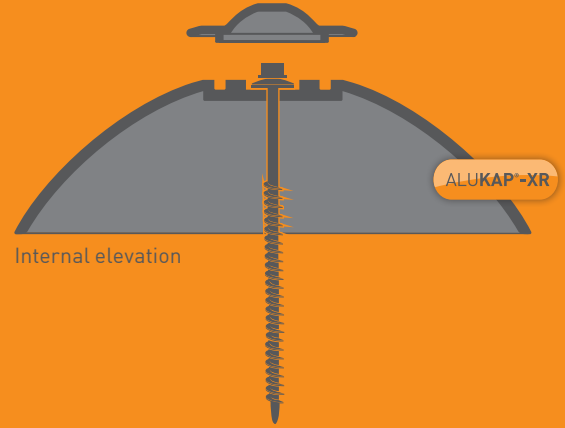


## ALUKAP®-XR Hip Bar accessories:

ALUKAP®-XR Radius Lantern Top Cap, including screw fitting



ALUKAP®-XR Pinnacle Top Cap, including screw fitting

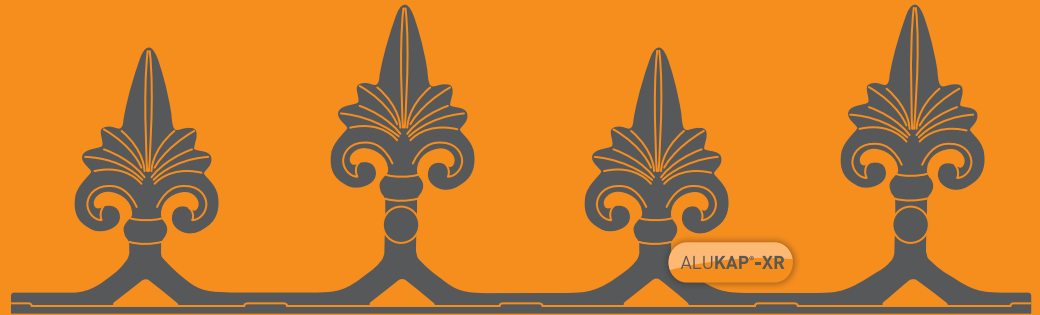


## ALUKAP®-XR Ridge Bar Finials:

ALUKAP®-XR Standard Finial



ALUKAP®-XR Crest Finial



ALUKAP®-XR Ball Finial, fixing bolt (included).



ALUKAP®-XR Valley Bar, plus Standard Bar Gaskets (included):



ALUKAP®-XR Horizontal H-section Bars:



24/25mm bar  
(most common)



28mm bar



32mm bar



## ALUKAP®-XR : Hip Bar

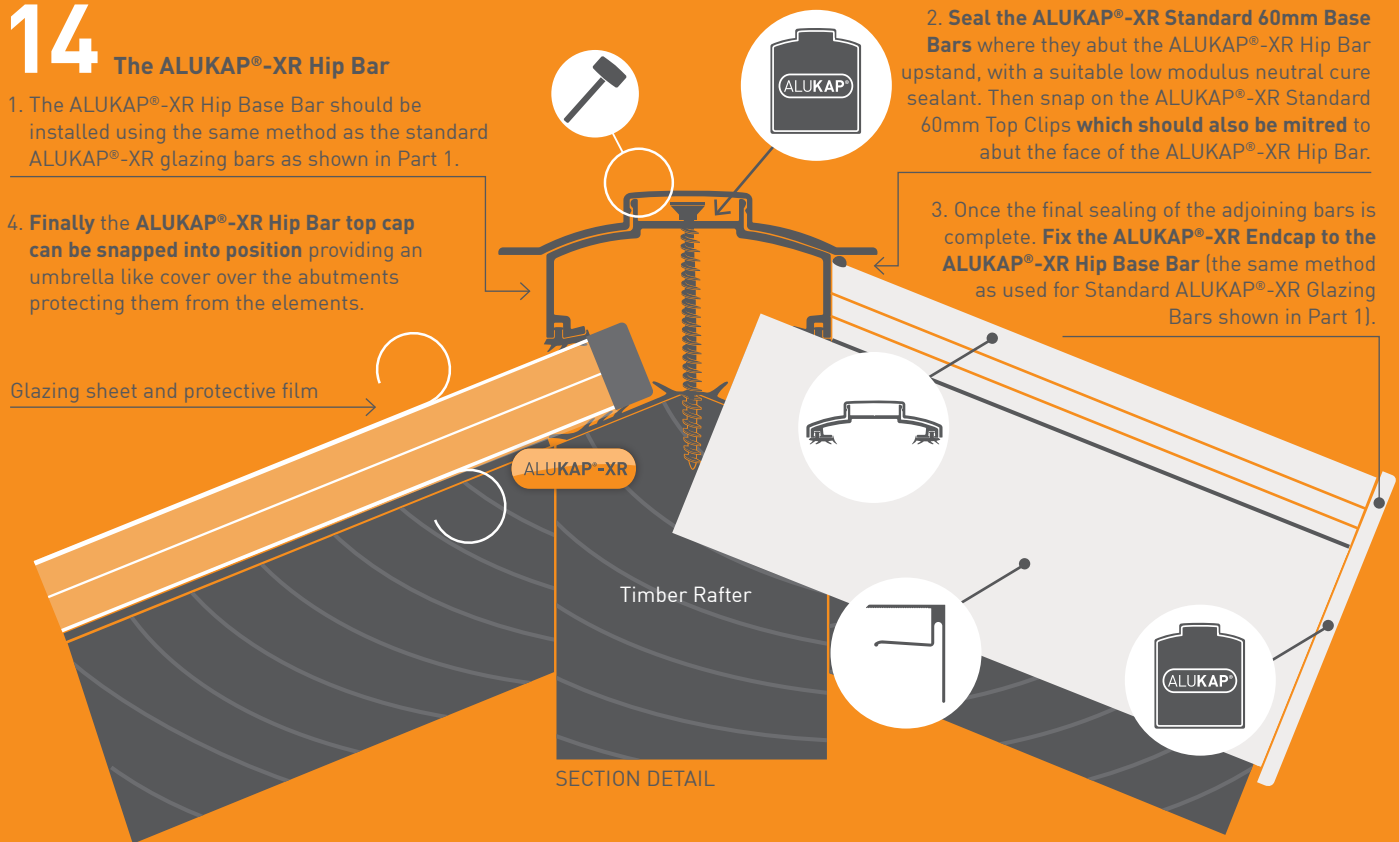
### 14 The ALUKAP®-XR Hip Bar

1. The ALUKAP®-XR Hip Base Bar should be installed using the same method as the standard ALUKAP®-XR glazing bars as shown in Part 1.

4. Finally the ALUKAP®-XR Hip Bar top cap can be snapped into position providing an umbrella like cover over the abutments protecting them from the elements.

2. Seal the ALUKAP®-XR Standard 60mm Base Bars where they abut the ALUKAP®-XR Hip Bar upstand, with a suitable low modulus neutral cure sealant. Then snap on the ALUKAP®-XR Standard 60mm Top Clips which should also be mitred to abut the face of the ALUKAP®-XR Hip Bar.

3. Once the final sealing of the adjoining bars is complete. Fix the ALUKAP®-XR Endcap to the ALUKAP®-XR Hip Base Bar (the same method as used for Standard ALUKAP®-XR Glazing Bars shown in Part 1).

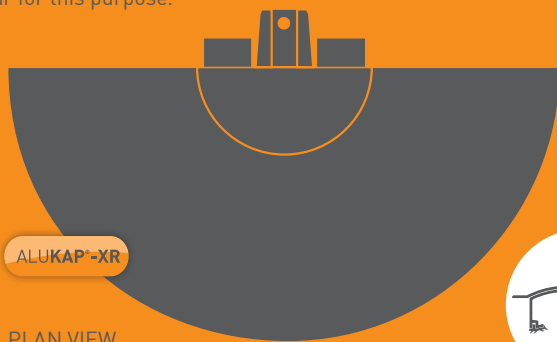


## ALUKAP®-XR : Roof Lantern End and Lantern Caps

### 15a The ALUKAP®-XR Radius End Cap

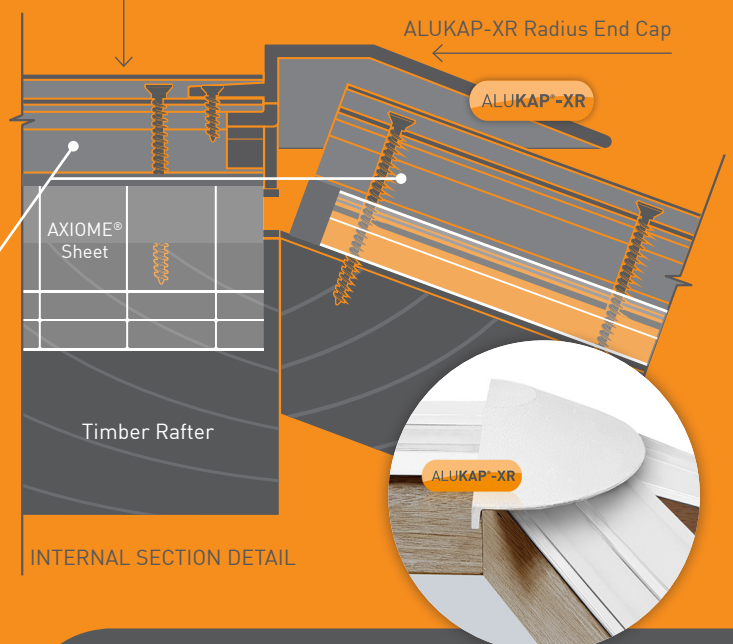
The ALUKAP®-XR Hip Bar can also be used to create a roof lantern. The ALUKAP®-XR Roof Lantern Pinnacle Top Cap and Radius End Cap are designed to work in conjunction with the ALUKAP®-XR Hip Bar for this purpose.

Fix the ALUKAP®-XR Radius End Cap to the end of the ALUKAP®-XR Hip Base Bar, once secured snap the umbrella-type top cap to the base bar, administer a suitable sealant to make a water tight finish.



PLAN VIEW

BACK ELEVATION



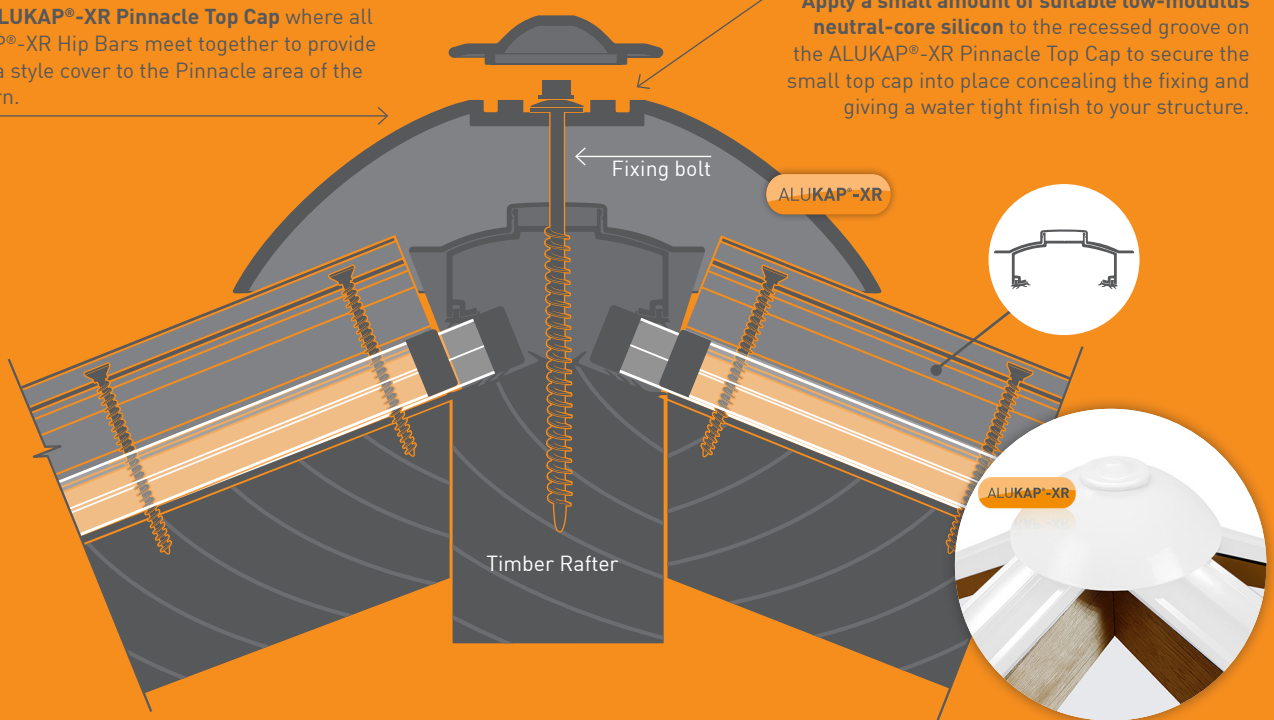
INTERNAL SECTION DETAIL

# 15b

## The ALUKAP®-XR Roof Lantern Pinnacle Top Cap

Apply the **ALUKAP®-XR Pinnacle Top Cap** where all the ALUKAP®-XR Hip Bars meet together to provide an umbrella style cover to the Pinnacle area of the Roof Lantern.

Apply a small amount of suitable **low-modulus neutral-core silicon** to the recessed groove on the ALUKAP®-XR Pinnacle Top Cap to secure the small top cap into place concealing the fixing and giving a water tight finish to your structure.



## ALUKAP®-XR : Ridge Bar

The **ALUKAP®-XR Ridge System** is designed for larger full ridge applications. The following information shows various options whilst installing the ALUKAP®-XR Ridge system, whether you prefer to add Crests, Finials or have a plain finish.

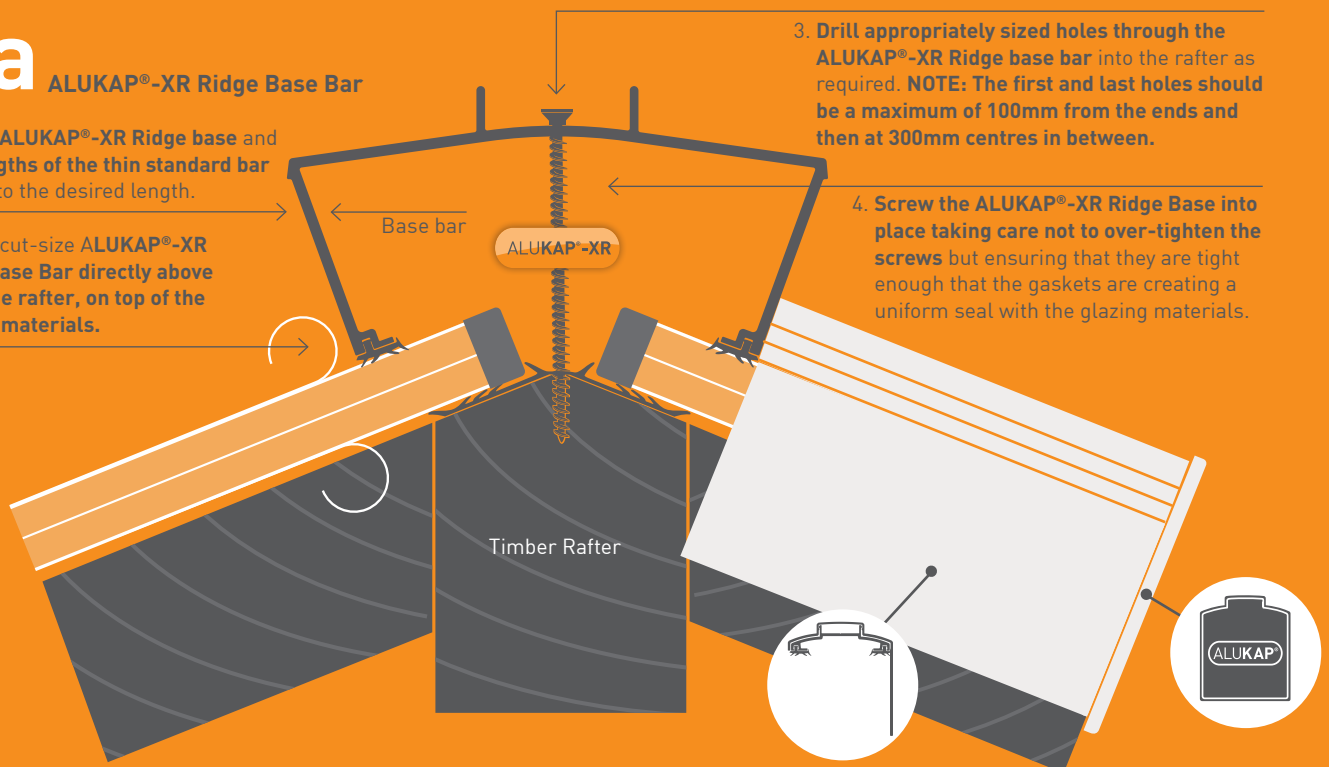
# 16a

## ALUKAP®-XR Ridge Base Bar

1. Cut the **ALUKAP®-XR Ridge base** and **two lengths of the thin standard bar gasket** to the desired length.
2. Lay the cut-size **ALUKAP®-XR Ridge Base Bar** directly above the ridge rafter, on top of the glazing materials.

3. Drill appropriately sized holes through the **ALUKAP®-XR Ridge base bar** into the rafter as required. **NOTE: The first and last holes should be a maximum of 100mm from the ends and then at 300mm centres in between.**

4. **Screw the ALUKAP®-XR Ridge Base** into place taking care not to over-tighten the screws but ensuring that the gaskets are creating a uniform seal with the glazing materials.



## 16b Fit the ALUKAP®-XR Crest Finial (optional)

1. CAREFULLY cut the ALUKAP®-XR Ridge Top Clip to the ALUKAP®-XR Ridge Base Bar.
2. Run a bead of sealant down the channel of the ALUKAP®-XR Ridge Top Clip.

3. Slide the ALUKAP®-XR Finial into position along the top slot of the ALUKAP®-XR Ridge Top Clip.

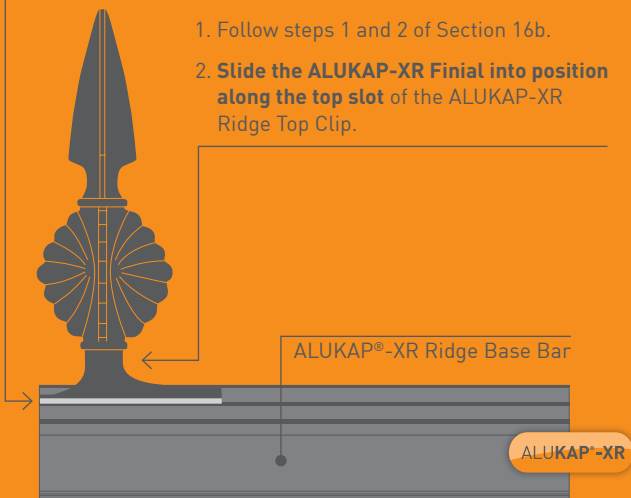
**WARNING:** The Finial should be fitted PRIOR to attaching the ALUKAP®-XR Ridge Top Clip to the ALUKAP®-XR Ridge Base bar.



SECTION DETAIL – CREST FINIAL

## 16c Fit the ALUKAP®-XR Standard Finial (optional)

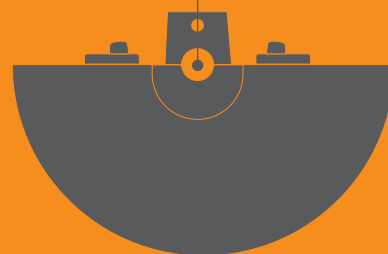
1. Follow steps 1 and 2 of Section 16b.
2. Slide the ALUKAP®-XR Finial into position along the top slot of the ALUKAP®-XR Ridge Top Clip.



SECTION DETAIL – STANDARD FINIAL

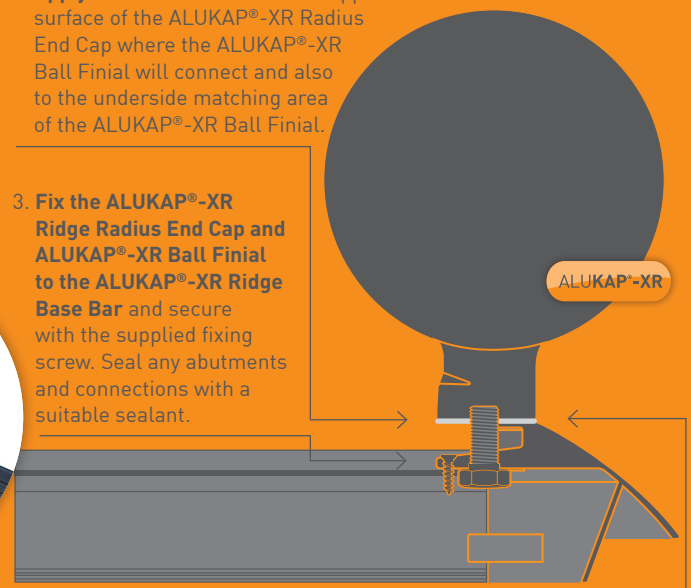
## 16d Fit the ALUKAP®-XR Ball Finial (optional)

1. Drill a 14-15mm diameter hole through the top of the ALUKAP®-XR Ridge Radius End Cap half way through the top cap and the lower fixing plate.



2. Apply a suitable sealant to the upper surface of the ALUKAP®-XR Radius End Cap where the ALUKAP®-XR Ball Finial will connect and also to the underside matching area of the ALUKAP®-XR Ball Finial.

3. Fix the ALUKAP®-XR Ridge Radius End Cap and ALUKAP®-XR Ball Finial to the ALUKAP®-XR Ridge Base Bar and secure with the supplied fixing screw. Seal any abutments and connections with a suitable sealant.



SECTION DETAIL – BALL FINIAL

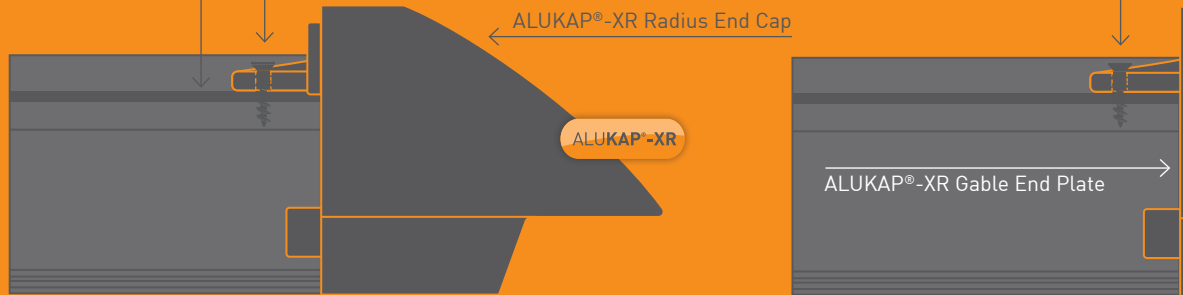
4. Place the ALUKAP®-XR Ball Finial on top of the ALUKAP®-XR Ridge Radius End Cap resting on the flat part of the End Cap and fix the bolt through the underside of the ALUKAP®-XR Ridge Radius End Cap making sure the Ball Finial is tightly secured.

## 16e

### Fitting the ALUKAP®-XR Ridge Radius and Gable End Caps to the ALUKAP®-XR Base Bar

ALUKAP®-XR Ridge Bar base fixing plate

Screw the ALUKAP®-XR Radius or Gable End Cap, with the top tongue resting on top of the Alukap-XR Ridge Base Bar.



SECTION DETAIL

SECTION DETAIL



**NOTE:** Make any additional seals with a suitable sealant as required where the ALUKAP®-XR Ridge Base Bar make any abutments or connections.

## 16f

### Fit the ALUKAP®-XR Ridge Top Cap to the ALUKAP®-XR Base Bar

1. Lower your pre-cut ALUKAP®-XR Ridge Bar Top Cap onto the base bar so that the two opposite pairs of inner vertical lugs engage.

2. Use a suitable rubber/plastic headed hammer to gently snap the top cap down on both sides so that the outer location lugs snap firmly together.

ALUKAP®-XR Top Cap

ALUKAP®-XR Base Bar

**NEW** The ALUKAP-XR Ridge Top Clip has been manufactured for applications where no crests are required and fits exactly on top of the open slot area on the top cap open slot.

**FITTING INSTRUCTIONS:** Seal under the two flanges with a suitable sealant the full length of the clip. Then push the ALUKAP-XR Ridge Top Clip into position.

**IMPORTANT:** It is vital that both these outer snap-fix engagements are fully made all along the ENTIRE LENGTH of the ALUKAP®-XR Ridge Bar.

**NOTE:** Make any additional seals with a suitable sealant as required where the ALUKAP®-XR Ridge Top Clip make any abutments or connections.

Timber Rafter

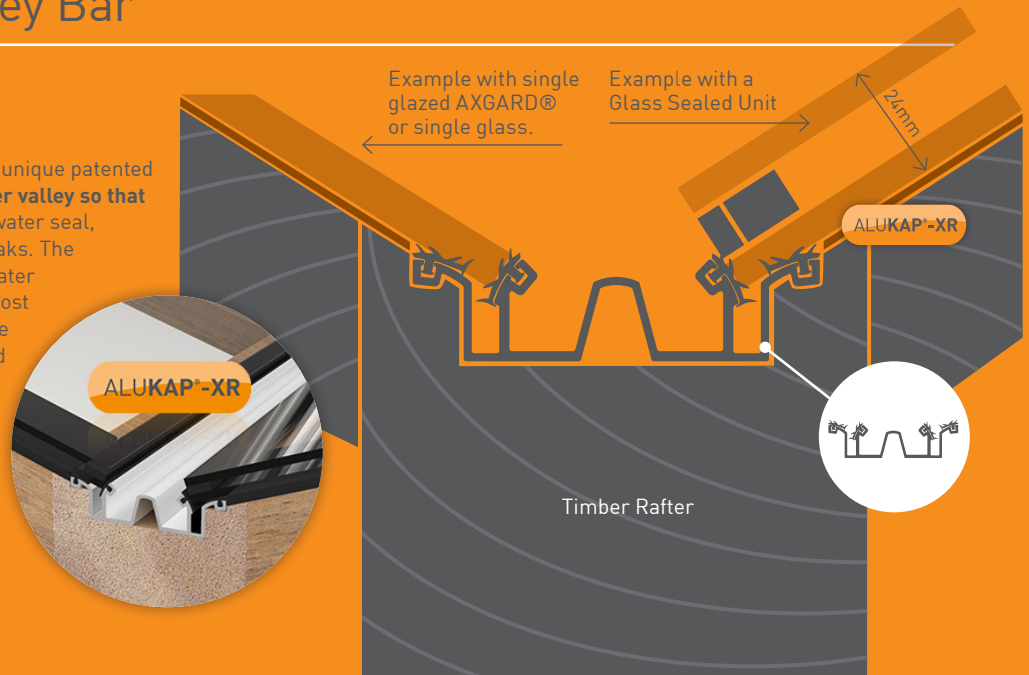
**WARNING:** As a security feature the ALUKAP®-XR Ridge Top Cap and ALUKAP®-XR Ridge Top Clip are designed to be fixed permanently; it will not be easy to remove once the final snap-fix has been completed!!



## ALUKAP®-XR : Valley Bar

### 17 ALUKAP®-XR Valley Bar

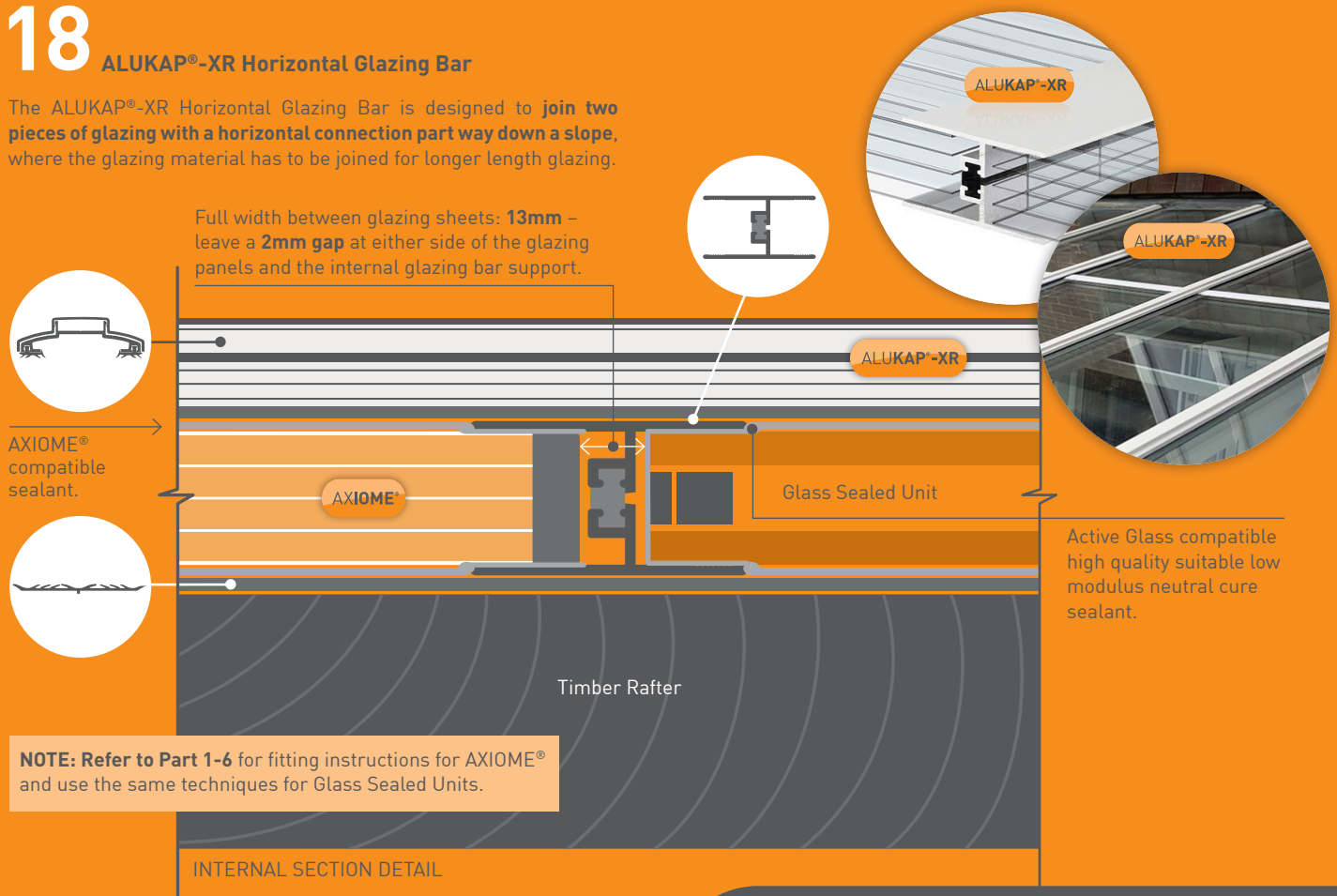
The ALUKAP®-XR Valley Bar is one entirely unique patented design. It is designed to **recess into a timber valley so that it is entirely concealed**. It's double gasket water seal, ensures that there are no possibilities of leaks. The high-capacity channels ensure a fast rainwater flow. The ALUKAP®-XR Valley Bar suits almost any angle of glazing. For extreme angles the ALUKAP®-XR Valley Bar can be simply tilted within the Valley timber if required.



## ALUKAP®-XR : Horizontal Glazing Bar

### 18 ALUKAP®-XR Horizontal Glazing Bar

The ALUKAP®-XR Horizontal Glazing Bar is designed to **join two pieces of glazing with a horizontal connection part way down a slope**, where the glazing material has to be joined for longer length glazing.



Active Glass compatible high quality suitable low modulus neutral cure sealant.

**NOTE:** Refer to Part 1-6 for fitting instructions for AXIOME® and use the same techniques for Glass Sealed Units.

INTERNAL SECTION DETAIL

---

## WARNING : REGISTERED DESIGNS & PATENTS

The IP of the designs in this brochure are protected by internationally registered design rights. Many products are also protected with active or pending Patents. Clear Amber will not hesitate to take appropriate legal action if its rights in this respect are infringed.

---

### Disclaimer

Once AXIOME® multiwall polycarbonate sheet has left our warehouse, we cannot control transportation, storage, installation or handling, nor can we influence installation conditions, Clear Amber Group cannot be held responsible in any

way for condensation issues or other installation problems that may arise, or any associated remedial work. All advice is offered in good faith based on our experience. Installers should apply best practices before and during installation.

© Copyright – Clear Amber Group Ltd – June 2019. No part of this publication may be copied, reproduced, scanned, or stored in any electronic database, whether in whole or in part, in any form or by any means, without permission in writing from Clear Amber. Clear Amber will not hesitate to take appropriate legal action if its rights in this respect are infringed.

Inasmuch as Clear Amber have no control over the circumstances in which our material may be used, or site specific parameters, we cannot guarantee that any particular results will be achieved. Users should carry out their own tests to determine the suitability of the material for their application.