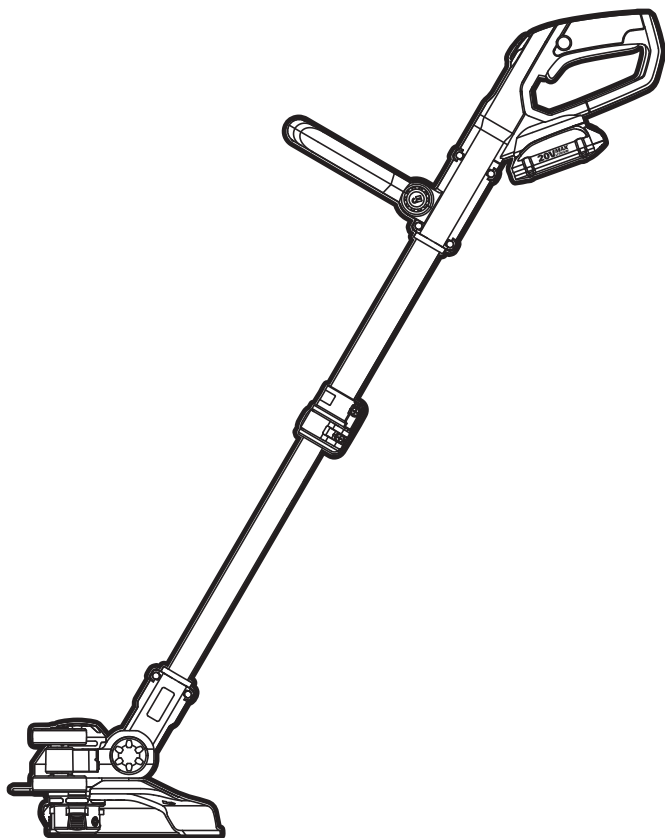


WORX®



2 in 1: Trimmer / Edger

EN

P02

2 outils en 1: taille-haie, coupe-bordure

F

P13

2 en 1: Recortadora / Cortabordes

ES

P20



HELPLINE NUMBER
NUMERO DU SERVICE D'ASSISTANCE
NUMERO DE LINEA DE AYUDA
1-866-354-WORX (9679)

WG163 WG163.9
WG164

-
- 1. LOCK OFF BUTTON**

 - 2. REAR HANDLE**

 - 3. ON/OFF SWITCH**

 - 4. BATTERY PACK ***

 - 5. HANDLE UNLOCK BUTTON**

 - 6. UPPER SHAFT**

 - 7. LOCKING COLLAR**

 - 8. LOWER SHAFT**

 - 9. SAFETY GUARD**

 - 10. FLOWER GUARD**

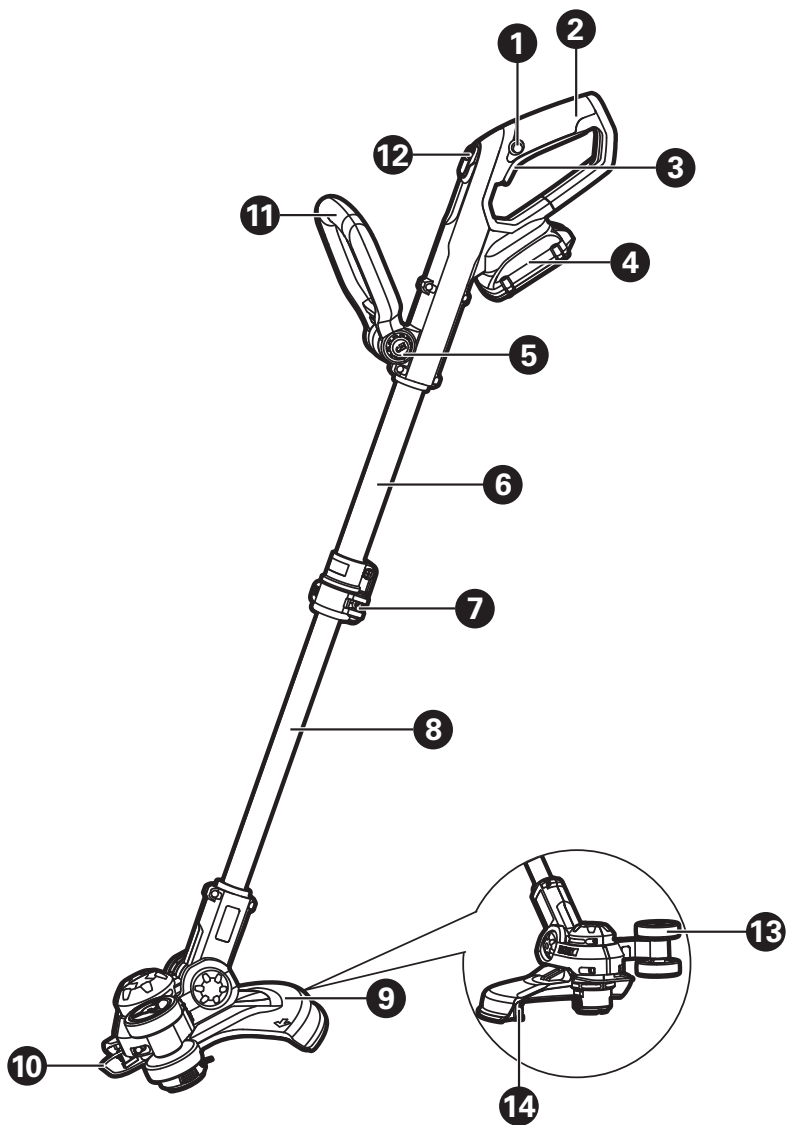
 - 11. AUXILIARY HANDLE**

 - 12. COMMAND FEED BUTTON**

 - 13. EDGER WHEEL**

 - 14. LINE CUTTER**
-

* Not all the accessories illustrated or described are included in standard delivery.



TECHNICAL DATA

	WG163	WG164	WG163.9
Voltage	20V MAX*		
No Load Speed	7600/min		
Cutting Diameter	12 inch		
Line Diameter	0.065 inch		
Charging time	5hr	/	
Machine Weight	5.3 lbs	4.6 lbs	

*Voltage measured without workload. Initial battery voltage reaches maximum of 20 volts. Nominal voltage is 18 volts.

ACCESSORIES

	WG163	WG163.9	WG164
Safety guard	1	1	1
Flower guard	1	1	1
Charger (WA3742)	1	/	1
Battery pack (WA3525)	2	/	2
Edger wheel	1	1	1
Spool (WA0004)	1	1	3
spool cap (WA0217)	1	1	2

Only use the appropriate accessories intended for this tool. Accessory information can be found on the product packaging, at a WORX dealer or on our website at www.worx.com or by calling 1-866-354-WORX(9679).

WARNING: any other accessory or attachment may increase the risk of injury.

IMPORTANT SAFETY INSTRUCTIONS



WARNING! When using electric gardening appliances, basic safety precautions should always be followed to reduce the risk of fire, electric shock, and personal injury, including the following:



WARNING: Read all instructions.



WARNING: This product maybe contains lead, phthalate or other chemicals known to the State of California to cause cancer, birth defects and other reproductive harm. Please wash your hands after use.

FOR ALL APPLIANCES

- 1) Avoid Dangerous Environment - Don't use appliances in damp or wet locations.
- 2) Don't Use In Rain.
- 3) Keep Children Away - All visitors should be kept at a distance from work area.
- 4) Dress Properly - Do not wear loose clothing or jewelry. They can be caught in moving parts. Wear protective clothing; use of rubber gloves, long pants, long sleeved shirt and substantial footwear is recommended when working outdoors. Wear protective hair covering to contain long hair.
- 5) Use Safety Glasses - Always use face or dust mask if operation is dusty.
- 6) Use Right Appliance - Do not use appliance for any job except that for which it is intended.
- 7) Don't Force Appliance - It will do the job better and with less likelihood of a risk of injury at the rate for which it was designed.
- 8) Don't overreach - Keep proper footing and balance at all times.
- 9) Stay Alert - Watch what you are doing. Use common sense. Do not operate appliance when you are tired.
- 10) Store Idle Appliances Indoors - When not in use, appliances should be stored indoors in dry, and high or locked-up place - out of reach of children.
- 11) Maintain Appliance With Care - Keep cutting edge sharp and clean for best performance and to reduce the risk of injury. Follow instructions for lubricating and changing accessories. Inspect appliance cord periodically, and if damaged, have it repaired by an authorized service facility. Inspect extension cords periodically and replace if damaged. Keep handles dry, clean, and free from oil and grease.
- 12) Check Damaged Parts - Before further use of the appliance, a guard or other part that is damaged should be carefully checked to determine that it will operate properly and perform its intended function. Check for alignment of moving parts, binding of moving parts, breakage of parts, mounting, and any other condition that may affect its operation. A guard or other part that is damaged should be properly repaired or replaced by an authorized service center unless indicated elsewhere in this manual.

FOR ALL BATTERY - OPERATED GARDENING APPLIANCES

1. For all battery-operated gardening appliances

- 1) Do not charge appliance in rain, or in wet locations.
- 2) Do not use battery-operated appliance in rain.



Always remove or disconnect battery pack before adjusting, cleaning, servicing or transporting the lawn trimmer.

2. For all battery-operated products employing a detachable or separable battery:

- 1) Use only the following type and size battery(ies): WA3525 / WA3520

- 2) Do not dispose of the battery(ies) in a fire. The cell may explode. Check with local codes for possible special disposal instructions.
- 3) Do not open or mutilate the battery(ies). Released electrolyte is corrosive and may cause damage to the eyes or skin. It may be toxic if swallowed.
- 4) Exercise care in handling batteries in order not to short the battery with conducting materials such as rings, bracelets, and keys. The battery or conductor may overheat and cause burns.

3. Avoid unintentional starting – Do not insert the battery with your finger on the switch. Be sure the switch is off when inserting the battery.

SAVE THESE INSTRUCTIONS

ADDITIONAL SAFETY RULES FOR LAWN TRIMMER AND EDGE TRIMMER

1. Keep guards in place and in good working order.
2. Keep hands and feet away from cutting area.
3. Do not use heavier lines than recommended in this manual.
4. Do not use line materials of other types – for example, metal wire, rope, and the like.

GENERAL SAFETY WARNINGS

WARNING: Read all safety warnings and instructions. Failure to follow the warnings and instructions may result in electric shock, fire and/or serious injury.


- 1) **WARNING: Risk of fire and burns. Do not disassemble, heat above 100°C (212°F), or incinerate. Do not expose cells or batteries to heat or fire. Avoid storage in direct sunlight.**
- 2) **Dispose of used battery promptly.. When disposing of secondary cells or batteries, keep cells or batteries of different electrochemical systems separate from each other.**
- 3) **Keep battery out of reach of children and in original package until ready to use.**
- 4) **Never put batteries in mouth. If swallowed, contact your physician or local poison control center.**
- 5) **CAUTION – The battery used in this device may present a risk of fire or chemical burn if mistreated. Replace battery with (WORX) only. Use of another battery may present a risk of fire or explosion**
- 6) **Warning: Do not use a visibly damaged battery pack or appliance as applicable.**
- 7) **Warning: Do not modify or attempt to repair the appliance or the battery pack as applicable.**
- 8) **BATTERY MUST BE RECYCLED**
- 9) **Do not short-circuit a cell or battery. Do not store cells or batteries haphazardly in a box or drawer where they may short-circuit each other or be short-circuited by conductive materials.**
- 10) **Do not subject cells or batteries to**

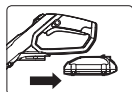
mechanical shock.

- 11) **Keep cells and batteries clean and dry.** Wipe the cell or battery terminals with a clean dry cloth if they become dirty.
- 12) **Do not maintain secondary cells and batteries on charge when not in use.**
- 13) **Retain the original cell and battery literature for future reference.**
- 14) **Do not use any charger other than that specifically provided for use with the equipment.** Secondary cells and batteries need to be charged before use. Always use the correct charger and refer to the manufacturer's instructions or equipment manual for proper charging instructions.
- 15) When possible, remove the battery from the equipment when not in use.
- 16) Prevent unintentional starting. Ensure the switch is in the off-position before connecting to battery pack, picking up or carrying the appliance. Carrying the appliance with your finger on the switch or energizing appliance that have the switch on invites accidents.
- 17) Disconnect the battery pack from the appliance before making any adjustments, changing accessories, or storing appliance. Such preventive safety measures reduce the risk of starting the appliance accidentally.
- 18) Under abusive conditions, liquid may be ejected from the battery; avoid contact. If contact accidentally occurs, flush with water. If liquid contacts eyes, additionally seek medical help. Liquid ejected from the battery may cause irritation or burns.
- 19) Have servicing performed by a qualified repair person using only identical replacement parts. This will ensure that the safety of the product is maintained.

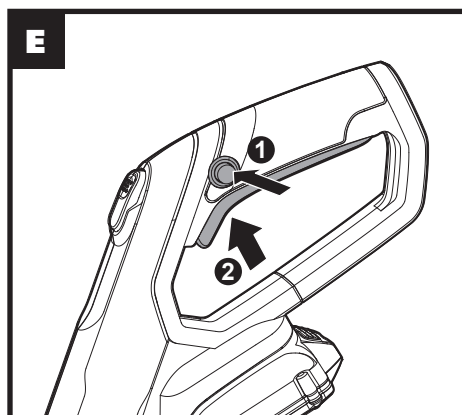
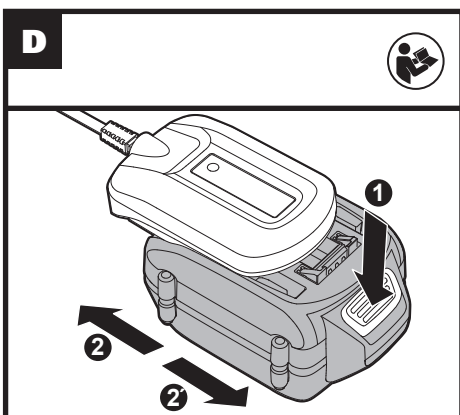
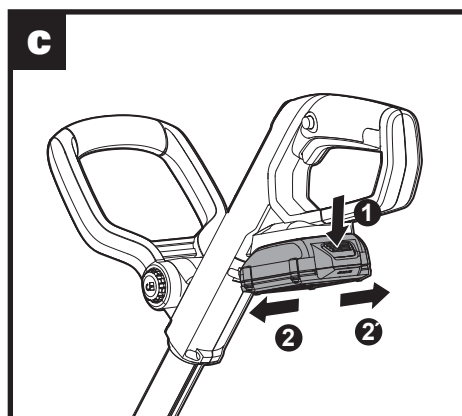
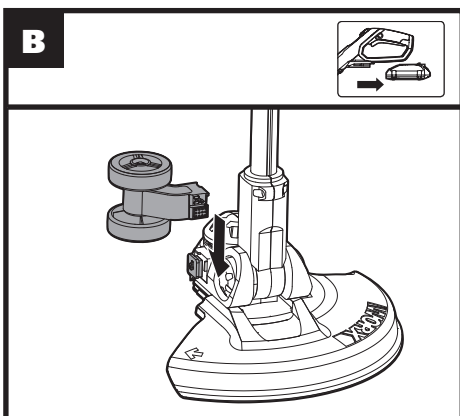
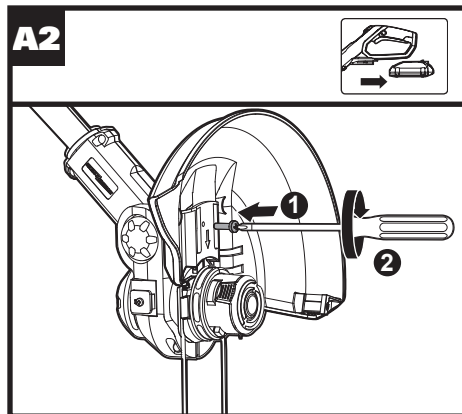
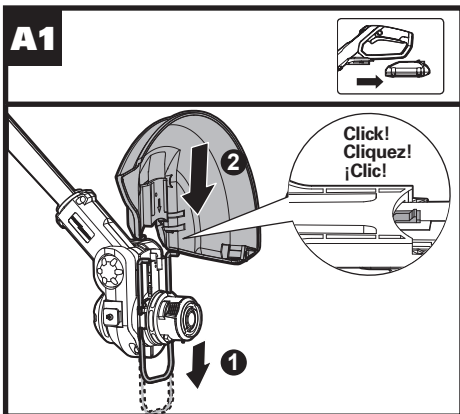
SAVE THESE INSTRUCTIONS

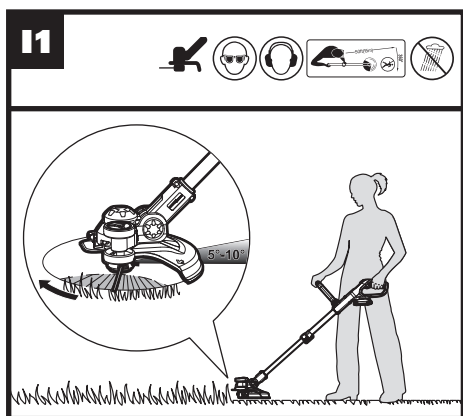
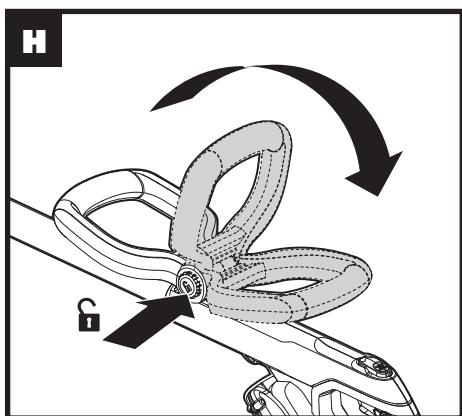
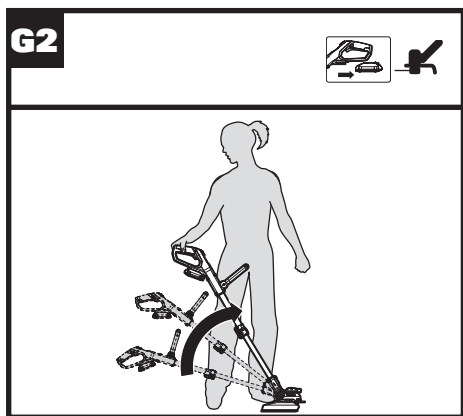
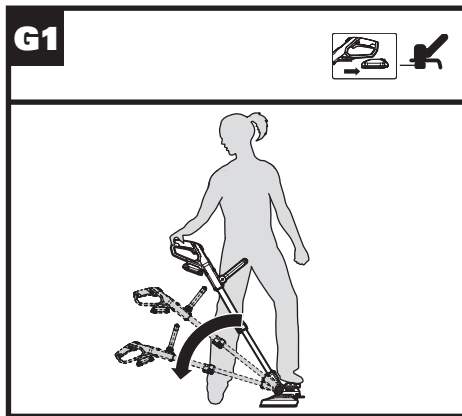
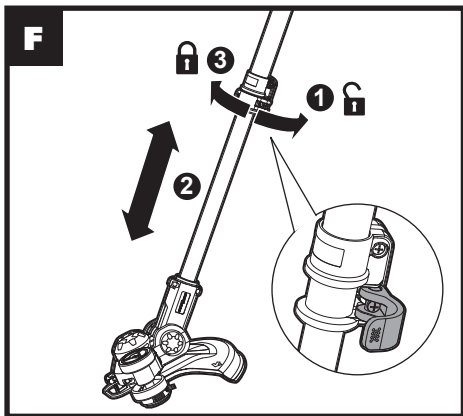
SYMBOLS

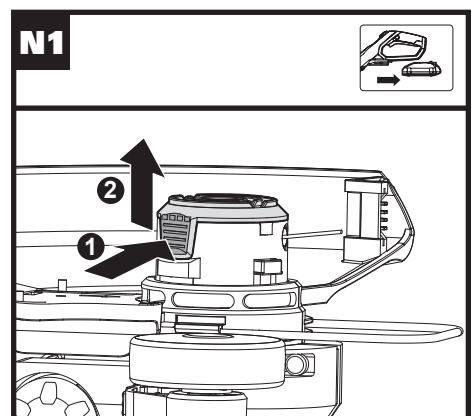
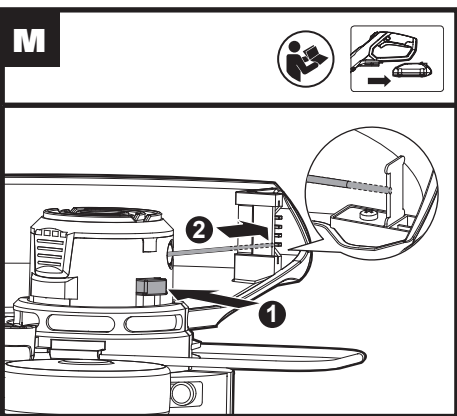
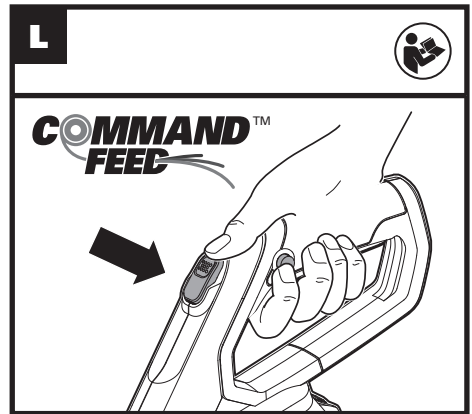
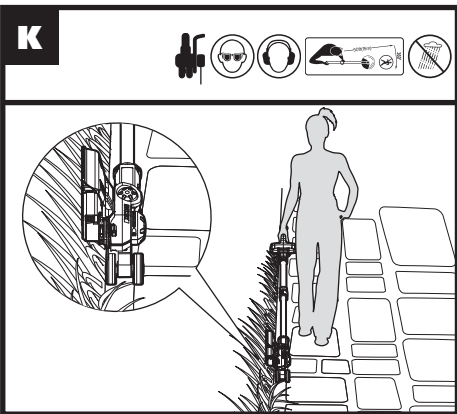
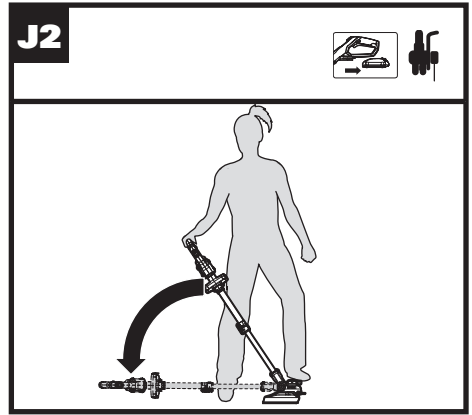
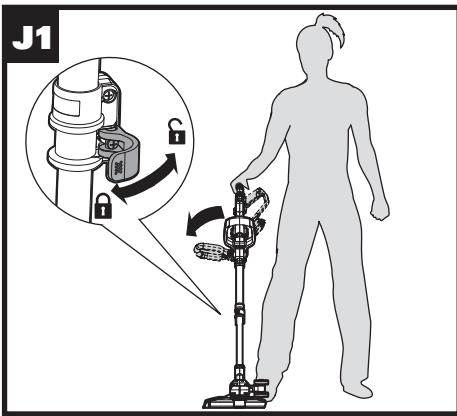
	To reduce the risk of injury, user must read instruction manual
	Wear ear protection
	Wear eye protection
	To avoid possibility of electric shock, do not use in damp or wet conditions
	Keep all other people, including children, pets and bystanders outside the 50 feet (15 meters) hazard zone, stop the trimmer immediately if you are approached.
 Li-Ion	Li-Ion battery. Separate collection, and battery must be recycled
	<p>call2recycle®</p> <p>POSITEC Inc. has established a partnership with the RBRC Corporation to recycle any Positec batteries with the RBRC-call2recycle seal. For environmental protection, please do not discard batteries in the trash. After the batteries' life cycle is ended, then please call 1-800-822-8837 for a free service that will properly dispose of the battery.</p>
	Edging
	Trimming
	Lock
	Unlock

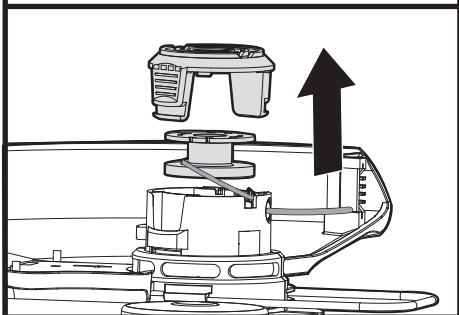
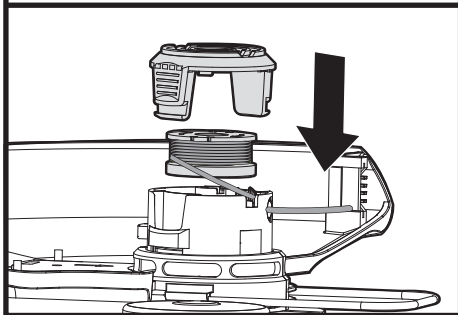
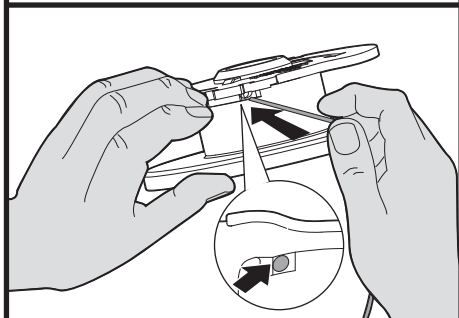
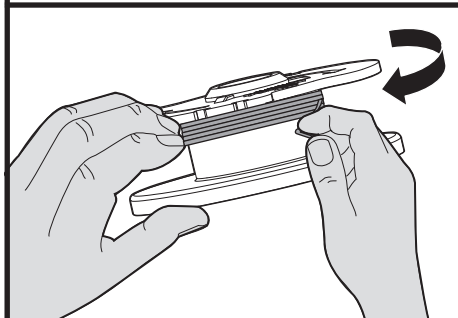
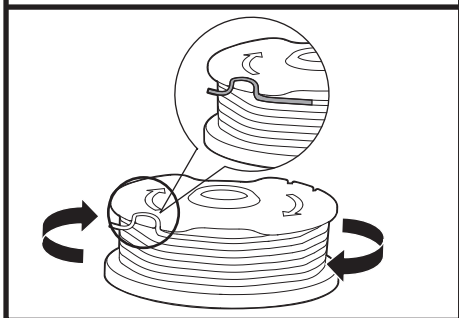
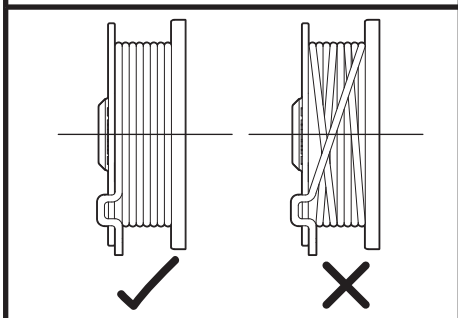


Make sure the battery is removed prior to changing accessories








N2**N3****01****02****03****04**

ASSEMBLY & OPERATION

Action	Figure
ASSEMBLY	
Assembling the Safety Guard	See Fig. A1 & A2
Mounting the Edger Wheel	See Fig. B
Installing and Removing the Battery Pack	See Fig. C
Charging the battery pack More details can be found in charger's manual	See Fig. D
Operation	
Safety ON/OFF Switch	See Fig. E
Trimming	
- Adjusting the Shaft	See Fig. F
- Adjusting the Trimmer Head	See Fig. G1, G2
- Adjusting the Auxiliary handle	See Fig. H
- Trimming	See Fig. I1
- Using the Flower Guard	See Fig. I2
Edging	
- Changing the tool into the Edging mode	See Fig. J1, J2
- Edging	See Fig. K
Command feeding the line	See Fig. L
Manually feeding the line	See Fig. M
Replacing the trimmer Spool	See Fig. N1, N2, N3
Manually winding the line	See Fig. O1, O2, O3, O4

OPERATION INSTRUCTIONS

 **WARNING!** The charger and battery pack are specially designed to work together so do not attempt to use any other devices. Never insert or allow metallic objects into your charger or battery pack connections because of an electrical failure and hazard will occur.

1. Automatic line feed system

When initially switching on the trimmer, a small

length of line is fed out. Each time the tool is started from rest it will advance about 0.25 inches of trimmer line.

A 'clattering' noise will be heard when the lines hit the Line Cutter. DO NOT BE ALARMED. This is quite normal. After about 5 seconds the line will be cut to the correct length and the noise will reduce as the motor gains full speed.

If the noise of the line being cut can't be heard, more line will need to be fed out.

To feed more line, it is first necessary to allow the trimmer to stop completely; it must come to a complete rest, then restart, allowing the motor to reach full speed.

Repeat above until you hear the line hitting against the Line Cutter.

2. **COMMAND™ FEED** (See Fig. L)

Your trimmer is equipped with a Command Feed System. For efficiently feeding the line, just press the command feed button while the machine is running until you hear the 'clattering' noise of the line cutting. The motor will shut off when pressing the Command Feed button and will restart when releasing the button. During that process the line will automatically feed additional line for cutting.

3. Manually feeding the line (See Fig. M)

Turn off the trimmer and remove the battery. If required, line can be fed out manually. To operate, press and release manual Line Feed Button, while gently pulling out the line until it is long enough to reach the Line Cutter. If the line extends past the Line Cutter, too much line has been fed out. If too much line is fed out, remove the Spool Cap and turn Spool counter-clockwise until the line is at the desired length.

4. Manually winding the line (See Fig. 01, 02, 03, 04)

Take approximately 10ft (3m) of line. Insert 5/8 inch (15mm) of line into the Spool holes and wind line in the direction of the arrows on the top of the Spool. Leave approximately 4 inches (100mm) of line unwound and place into the cleat. Ensure that the line is neatly coiled on the Spool. Failure to do so will impair the efficiency of the automatic line feed. Then fit the Spool as shown in Fig. N1, N2, N3

MAINTENANCE

After use, disconnect the battery from the tool and check for damage.

Your power tool requires no additional lubrication or maintenance. There are no user serviceable parts in your power tool. Never use water or chemical cleaners to clean your power tool. Wipe clean with a dry cloth. Always store your power tool in a dry room temperature location. Keep the motor ventilation slots clean. Keep all working controls free of dust.

TROUBLESHOOTING

The following table gives problems and actions that you can perform if your machine does not operate correctly. If these do not identify and correct the problem, contact your WORX Customer Service at 1-866-354-WORX.



WARNING: Switch the machine off and remove the battery prior to any troubleshooting.

Problems	Possible Causes	Corrective Action
Trimmer fails to operate.	Battery discharged. Battery too hot/cold. Motor is broken. Internal wiring of machine damaged.	Recharge battery; also see the content in charger manual Allow to cool/warm. Contact Service Agent. Contact Service Agent.
Trimmer runs intermittently.	Motor is broken. Battery not fully charged. On/Off switch defective.	Contact Service Agent. Recharge battery. Contact Service Agent.
Excessive vibrations/noise.	Machine defective. Line spool is not wound well.	Contact Service Agent. Rewind the line. See "MANUALLY WINDING THE LINE" (Fig. O1, O2, O3, O4).
Cutting time per battery charge too short.	Battery has not been used for long period or only charged for short term. Grass too high. Battery defective.	Recharge battery; also see the content in charger manual. Cut in stages. Replace the battery.
Machine does not cut.	Line broken. Battery not fully charged. Motor is broken (speed is too low). Grass entangled around cutting head.	Replace the line Recharge battery; also see the content in charger manual. Contact Service Agent. Remove grass.
Continuous lighting of the battery charge indicator. No charging procedure possible.	Battery not (properly) inserted. Battery contacts contaminated. Battery defective.	Properly insert battery into battery charger. Clean the battery contacts or replace the battery. Replace the battery.
Battery charge indicator does not light up.	Plug of battery charger not plugged in (properly). Socket outlet, mains cable or battery charger defective.	Insert mains plug (fully) into the socket outlet. Check the mains voltage; have the battery charger checked by an authorized after-sales service agent.
Command feed does not work	Cutting line is not wound well. The line is tangled. Line is used up.	Manually feed the line, if still can not feed out, remove the Spool out and rewind the line. Replace with a new spool of line.

-
- 1. BOUTON DE VERROUILLAGE**

 - 2. POIGNÉE ARRIÈRE**

 - 3. INTERRUPTEUR MARCHE/ARRÊT**

 - 4. BLOCS-PILES ***

 - 5. MAINTENIR LE BOUTON DE VERROUILLAGE**

 - 6. PARTIE SUPÉRIEURE DU MANCHE**

 - 7. COLLIER DE BLOQUAGE**

 - 8. PARTIE INFÉRIEURE DU MANCHE**

 - 9. GARDE DE SÉCURITÉ**

 - 10. PROTECTION DES FLEURS**

 - 11. POIGNÉE AUXILIAIRE**

 - 12. BOUTON DE COMMANDE D'ALIMENTATION**

 - 13. BOBINE DU COUPE-BORDURE**

 - 14. COUPEUR DE CORDON DE COUPE**
-

* Les accessoires illustrés ou décrits ne sont pas tous compris dans le cadre de la livraison standard.

DONNÉES TECHNIQUES

Tension	WG163 WG164	WG163.9
Tension	20V --- MAX*	
Vitesse à vide	7600/min	
Diamètre de coupe	30cm(12po.)	
Diamètre du fil	1.65mm(0.065po.)	
Temps de chargement	5hr	/
Poids de la machine	2.4kg (5.3 lbs)	2.1kg(4.6 lbs)

*Tension mesurée hors fonctionnement. La tension initiale de la batterie atteint le maximum de 20 volts. La tension nominale est de 18V.

ACCESSOIRES

	WG163	WG163.9	WG164
Garde de sécurité	1	1	1
Protection des fleurs	1	1	1
Chargeur (WA3742)	1	/	1
Bloc-Piles (WA3525)	2	/	2
Bobine du coupe-bordure	1	1	1
Bobine (WA0004)	1	1	3
Couvercle de bobine (WA0217)	1	1	2

N'utilisez que les accessoires compatibles à cet outil. Les informations des accessoires peuvent être trouvées sur l'emballage du produit, chez un détaillant WORX ou sur notre site Web www.worx.com ou en appelant au 1-866-354-WORX(9679).

AVERTISSEMENT: l'utilisation de tout autre accessoire ou attache pourrait accroître le risque de blessure.

CONSIGNES DE SÉCURITÉ



AVERTISSEMENT! Lors de l'utilisation d'appareils électriques de jardinage, des précautions de base doivent être observées afin de réduire les risques de feu, choc électrique, et blessure grave, incluant ce qui suit:



AVERTISSEMENT: Lisez Toutes Les Instructions



AVERTISSEMENT: Ce produit peut contenir du plomb, des phthalates ou d'autres agents chimiques connus dans l'État de Californie pour causer le cancer, des

malformations congénitales et d'autres problèmes liés à la reproduction. Lavez vos mains après chaque utilisation.

POUR TOUS LES APPAREILS

- Évitez les environnements dangereux. N'utilisez pas les appareils dans des environnements très humides ou mouillés.
- N'utilisez pas sous la pluie.
- Tenez les enfants éloignés. Tous les visiteurs devraient se tenir éloignés de l'aire de travail.
- Habilitez-vous convenablement. Ne portez pas des vêtements lâches ou des bijoux. Ils peuvent se prendre dans les pièces en mouvement. L'utilisation de gants de caoutchouc et chaussures épaisses est recommandée lors de travaux extérieurs. Portez une protection pour cheveu afin de contenir les cheveux longs.
- Utilisez des lunettes de sécurité. Toujours porter un masque pour le visage ou pour la poussière si l'opération est poussiéreuse.
- Utilisez le bon appareil. N'utilisez pas l'appareil pour tout autre travail que pour celui auquel il est destiné.
- Ne forcez pas l'appareil. Il va faire un meilleur travail et avec moins de risques de blessure en travaillant au taux de charge pour lequel il a été conçu.
- N'essayez pas d'utiliser l'appareil hors de votre portée normale. Gardez votre équilibre et les pieds bien ancrés en tout temps.
- Restez alerte. Faites attention à ce que vous faites. Utilisez le bon sens. N'utilisez pas l'appareil lorsque vous êtes fatigué.
- Entreposez à l'intérieur les appareils qui ne sont pas utilisés fréquemment. Lorsqu'inutilisés, les appareils devraient être entreposés à l'intérieur dans un endroit sec, élevé et gardé sous clef, hors de la portée des enfants.
- Entretenez les appareils avec soins. Gardez les arêtes de coupe aiguisées et propres pour une meilleure performance et risque réduit de blessure. Suivez les instructions pour lubrifier et changer les accessoires. Gardez les poignées sèches, propres, et libres d'huile et de graisse.
- Vérifier les pièces endommagées. Avant d'employer l'appareil, une garde ou autre pièce endommagée devrait être soigneusement vérifiée afin de déterminer qu'elle fonctionnera correctement et exécutera la fonction pour laquelle elle a été conçue. Vérifier l'alignement des parties mobiles, leur pincement, la brisure de pièces, montage, et toute autre condition qui peut affecter son opération. Une garde ou autre pièce endommagée devrait être correctement réparée ou remplacée par un centre de service autorisé à moins d'avis contraire ailleurs dans ce manuel.

CONSIGNES DE SECURITE POUR TOUS LES APPAREILS DE JARDINAGE FONCTIONNANT AVEC UNE BATTERIE

1. Pour tous les appareils de jardinage fonctionnant avec une batterie:

- 1) Ne chargez pas l'outil sous la pluie, ou dans des endroits mouillés.
- 2) N'utilisez pas des outils alimentés à piles sous la pluie.



RETIREZ TOUJOURS LA PILE AVANT DE PROCÉDER AU POSITIONNEMENT DE LA TÊTE DU COUPE - HERBE/TAILLE-BORDURE.

2. Pour tous les appareils fonctionnant sur batteries, employez une batterie amovible ou séparable:

- 1) Utilisez seulement des piles de type ou de grosseurs suivants: WA3525 / WA3520
- 2) Ne disposez pas des piles en les jetant dans feu. La cellule peut exploser. Vérifiez les réglementations locales pour de possibles instructions spéciales de disposition.
- 3) N'ouvrez pas et ne mutilez pas la pile(s). L'électrolyte qui peut s'en échapper est corrosif et peut causer des dommages à vos yeux ou à votre peau. Il peut être toxique si avalé.
- 4) Lorsque vous manipulez des piles, faites attention de ne pas les court-circuiter avec des matériaux conducteurs tels que bagues, bracelets, et clefs. La pile ou le conducteur peut surchauffer et causer des brûlures.

3. Évitez les démarrages non intentionnels - Ne transportez pas les appareils alors qu'ils sont connectés et que vous avez le doigt sur le commutateur. Soyez certain que le commutateur est en position « OFF » lorsque connecté.

CONSERVEZ CES INSTRUCTIONS PRÉCAUTIONS SUPPLÉMENTAIRES POUR L'UTILISATION DU COUPE-BORDURES

1. Gardez les carters en place et en bon état de fonctionnement.
2. Gardez les mains et les pieds éloignés de la zone de coupe.
3. N'utilisez pas de fils plus épais que ceux recommandés dans ce manuel.
4. N'utilisez pas d'autres types de matériaux pour les fils- par exemple, fil métallique, corde, etc.

CONSIGNES GÉNÉRALES DE SÉCURITÉ CONCERNANT LA BATTERIE

AVERTISSEMENT! Lisez et assimilez toutes les instructions. Le non-respect des instructions ci-après peut entraîner un risque de choc électrique, d'incendie et/ou de blessures graves.

- 1) **AVERTISSEMENT: Risque d'incendie et de brûlures. Ne démontez pas, ne chauffez pas à une température supérieure à 100°C (212°F) et n'incinerez pas l'appareil. N'exposez pas les piles cellulaires ou la batterie à la chaleur ou au feu. Évitez de ranger la batterie dans un endroit exposé à la lumière directe du soleil.**
- 2) **Jetez rapidement les piles usagées. Lors de l'élimination des piles cellulaires ou des batteries, gardez les piles ou les batteries**





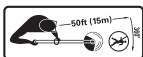


de types électrochimiques différents séparés les uns des autres.





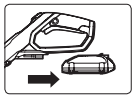
- 3) **Gardez les piles hors de portée des enfants et dans leur emballage d'origine jusqu'au moment de vous en servir.**
- 4) **Ne mettez jamais les piles dans la bouche. En cas d'ingestion, consultez avec votre médecin ou un centre antipoison.**
- 5) **ATTENTION – La batterie utilisée dans cet appareil peut présenter un risque d'incendie ou de brûlure chimique si elle n'est pas utilisée avec soin. Remplacez la batterie usée uniquement avec une batterie WORX. L'utilisation de toute autre batterie peut engendrer un risque d'incendie ou d'explosion.**
- 6) **Avertissement : N'utilisez pas la batterie ou l'appareil s'il est visiblement endommagé.**
- 7) **Avertissement : Ne modifiez pas et n'essayez pas de réparer l'appareil ou la batterie vous-même.**
- 8) **LA BATTERIE DOIT ÊTRE RECYCLÉE;**
- 9) **Les bornes de contact d'une pile cellulaire ou d'une batterie ne doivent pas être mises en court-circuit.** Ne placez pas en vrac les piles ou les batteries dans une boîte ou un tiroir où leurs bornes pourraient être mises en court-circuit par un matériau conducteur.
- 10) **N'exposez pas la pile cellulaire ou la batterie à des chocs mécaniques.**
- 11) **Gardez les piles cellulaires et les batteries propres et sèches. Essuyez les bornes de la pile cellulaire ou de la batterie avec un chiffon propre et sec si elles sont sales.**
- 12) **Ne laissez pas la pile cellulaire ou la batterie en charge lorsqu'elles ne sont pas utilisées.**
- 13) **Conservez les instructions originales accompagnant la pile cellulaire ou la batterie pour toute future référence.**
- 14) N'utilisez pas un chargeur autre que celui spécifiquement conçu pour être utilisé avec l'équipement. Accumulateurs besoin d'être rechargée avant l'utilisation. Les piles cellulaires et les batteries doivent toujours être chargées avant l'utilisation. Utilisez toujours le chargeur adapté et reportez-vous aux instructions du fabricant ou au manuel de l'équipement pour suivre les instructions concernant la procédure de charge.
- 15) Si possible, enlevez la batterie de l'équipement lorsqu'il n'est pas utilisé.
- 16) Pour éviter le démarrage non intentionnel, s'assurer que le bouton de démarrage est en position d'arrêt avant de brancher l'appareil au chargeur ou de le prendre ou de le transporter. Un accident pourrait arriver si vous vous promenez avec l'appareil avec le doigt sur l'interrupteur ou sur le dispositif de charge dont l'interrupteur est en position de charge.
- 17) Débranchez le bloc de batterie de l'appareil avant de faire des réglages, de remplacer des accessoires ou de ranger l'appareil. De telles mesures de sécurité réduisent les risques de démarrer l'appareil accidentellement.

- 18) Dans des conditions d'utilisation abusive, du liquide pourrait s'éjecter de la batterie; évitez tout contact. Si vous entrez accidentellement en contact avec le liquide, passez la partie du corps touchée sous le robinet. Si vos yeux entrent en contact avec le liquide, vous devez consulter immédiatement un médecin. Le liquide expulsé de la batterie peut causer des irritations ou des brûlures.
- 19) Faites faire le service par un technicien de réparation compétent qui ne doit utiliser que des pièces de rechange identiques. Ceci maintiendra la sécurité du produit.

CONSERVEZ CES INSTRUCTIONS

SYMBOLES

	Afin de réduire les risques de blessure, l'utilisateur doit lire ce mode d'emploi
	Portez une protection auditive
	Portez un protecteur oculaire
	Afin d'éviter la possibilité de choc électrique, n'utilisez pas dans des conditions mouillées ou d'humidité élevée.
	Éloignez les curieux, les enfants, les animaux et les spectateurs à au moins 15 mètres (50 pieds) de la zone de travail, arrêtez immédiatement le taille-bordure lorsque quelqu'un s'approche de vous.
	Batterie Li-ion. Les batteries doivent être recyclées en collecte sélective.
	call2recycle POSITEC Inc. a formé un partenariat avec RBRC Corporation pour le recyclage des batteries Positec portant le sceau RBRC-call2recycle. Pour la protection de l'environnement, veillez à ne pas jeter les batteries aux poubelles. À la fin du cycle de vie de la batterie, appelez 1-800-822-8837 pour un service gratuit qui mettra la batterie au rebut selon les règles de l'art.

	Tonte de bordure
	Tonte
	Verrouiller
	Déverrouiller
	Par mesure de sécurité, enlevez la batterie avant de remplacer des accessoires.

ASSEMBLAGE & FONCTIONNEMENT

ACTION	SCHEMA
ASSEMBLAGE	
Montage de la garde de sécurité	Voir Fig. A1, A2
Montage de la roue de bord	Voir Fig. B
Installation et remplacement du bloc de batterie	Voir Fig. C
Chargement de la batterie Des informations supplémentaires sont disponibles dans le manuel du chargeur	Voir Fig. D
Fonctionnement	
Interrupteur Marche/Arrêt de Sécurité	Voir Fig. E
Tonte	
- Ajustement de l'arbre	Voir Fig. F
- Réglage de la tête du coupe-bordure	Voir Fig. G1, G2
- Réglage de la poignée auxiliaire	Voir Fig. H
- Tonte	Voir Fig. I1
- Utilisation de la grille de protection de la fleur	Voir Fig. I2
Tonte de bordure	
- Passage de l'appareil au mode opératoire	Voir Fig. J1, J2

-Tonte de bordure	Voir Fig. K
Commande d'alimentation du fil	Voir Fig. L
Alimentation manuelle du cordon	Voir Fig. M
Remplacement du cordon de tonte et de la bobine	Voir Fig. N1, N2, N3
Bobinage manuel du cordon de tonte	Voir Fig. O1, O2, O3, O4

INSTRUCTIONS D'OPERATION



AVERTISSEMENT: Le chargeur et le bloc-piles ont été conçus spécifiquement pour travailler ensemble, alors ne tentez pas d'utiliser d'autres dispositifs. Ne jamais insérer ou permettre que des objets métalliques soient introduits dans les bornes de connexions de votre chargeur ou bloc-pile, parce qu'une défaillance électrique et un danger vont se produire.

1. SYSTÈME AUTOMATIQUE D'ALIMENTATION DU CORDON DE COUPE

Lorsqu'initialement vous démarrez le taille-bordure, une petite longueur de cordon de coupe est alimentée vers l'extérieur. Chaque fois que les outils sont mis en route après avoir été inactifs, le fil du coupe-herbe avancera d'environ 0.25 de pouce.

Un bruit de « clappement » va être entendu pour un court laps de temps. Cela est normal et est causé par le cordon de coupe en train d'être coupé par le coupeur de cordon de coupe. Une fois que le cordon de coupe est coupé à la bonne longueur, le bruit de clappement va cesser et le moteur du taille-bordure va tourner à pleine vitesse.

Si le bruit de la ligne de découpe ne peut se fait entendre pendant la découpe, ajoutez davantage de ligne.

Pour donner plus de cordon de coupe, arrêtez complètement le taille-bordure, puis redémarrez, permettant au moteur d'atteindre sa pleine vitesse. Répétez cela jusqu'à ce que vous entendiez le bruit de « clappement » du coupage du cordon de coupe.



2. (Voir Fig. L)

Votre coupe-bordure est pourvu d'un système de commande d'alimentation. Pour alimenter efficacement la ligne, il suffit d'appuyer sur le bouton de commande d'alimentation lorsque la machine est en marche jusqu'à ce que vous entendiez le bruit de « cliquetis » caractéristique de la ligne de coupe. Le moteur s'éteint en appuyant sur le bouton de commande d'alimentation et redémarrera en

relâchant le bouton. Durant ce processus, le fil se déroulera automatiquement pour allonger le fil de coupe.

3. ALIMENTATION MANUELLE DU CORDON DE COUPE (Voir Fig. M)

Mettez le coupe-herbe à l'arrêt et retirez la batterie. En cas de besoin, la ligne peut être ajustée manuellement. Pressez et relâchez le bouton d'alimentation manuelle du cordon de coupe, tout en tirant doucement sur le cordon de coupe jusqu'à ce qu'il atteigne le coupeur de cordon de coupe. Si le cordon de coupe dépasse le coupeur de cordon de coupe, trop de cordon de coupe a été sorti. Si trop de cordon de coupe est sorti, enlevez le couvercle de la bobine et cliquez la bobine en sens inverse des aiguilles d'une montre, jusqu'à ce que le cordon de coupe soit à la longueur désirée.

4. BOBINAGE MANUEL DU CORDON DE TONTE (Voir Fig. O1, O2, O3, O4)

Prenez approximativement 10 pieds (3 m) de cordon de coupe. Insérez 5/8 po. (15 mm) de cordon de coupe dans les trous de la bobine et enroulez le cordon de coupe dans la direction des flèches indiquée sur le dessus de la bobine.

Laissez approximativement 4 po. (100 mm) de cordon de coupe et placez-le dans le serre-cordon. Assurez-vous que le cordon de coupe est bobiné avec soins sur la bobine. Un manque à faire cela va altérer l'efficacité du fournisseur automatique de cordon de coupe.

Ensuite, ajustez la bobine telle que l'illustrent les fig. N1, N2 et N3.

ENTRETIEN

Après chaque utilisation, déconnectez la batterie de l'appareil et évaluez les dommages.

Votre outil électrique ne requiert pas de lubrification additionnelle ou entretien. À l'intérieur de votre outil électrique, il n'y a pas de pièces qui peuvent être entretenues par l'utilisateur. Ne jamais utiliser d'eau ou des nettoyants chimiques pour nettoyer votre outil. Nettoyez à propre avec un linge sec. Toujours entreposer votre outil électrique dans un endroit sec hors d'atteinte des enfants. Gardez les fentes de ventilation du moteur propres. Gardez tous les contrôles de l'appareil libres de poussière.

DÉPANNAGE

Le tableau suivant décrit les vérifications et les interventions que vous pouvez effectuer si votre appareil ne fonctionne pas correctement. Si par ces actions vous ne parvenez pas à identifier et régler le problème, consultez un agent de soutien à la clientèle, contactez le centre d'assistance aux consommateurs WORX au 1-866-354-WORX.



AVERTISSEMENT! Éteindre l'appareil et retirer la batterie avant toute tentative de réparation.

Problème	Causes possibles	Mesures correctives
Appareil ne se mettant pas en marche.	Batterie déchargée. Batterie trop chaude/froide. Moteur brisé. Filage interne de l'appareil endommagé.	Recharger batterie; Référez-vous également au manuel d'utilisation de la chargeur. Laisser la batterie se refroidir ou se réchauffer. Consulter un agent de soutien technique. Consulter un agent de soutien technique.
Appareil fonctionnant par intermitence.	Moteur brisé. Batterie partiellement déchargée. Interrupteur Marche/Arrêt défectueux.	Consulter un agent de soutien technique. Recharger batterie. Consulter un agent de soutien technique.
Vibrations/bruits excessifs	Appareil défectueux. Bobine du fil coupant est mal enroul.	Consulter un agent de soutien technique. Rebobiner le fil. Voir "BOBINAGE MANUEL DU CORDON DE TONTE" (Fig. O1, O2, O3, O4).
Le délai de coupe par charge de batterie est trop court.	Batterie inutilisée pour une longue période ou chargée dans une période trop courte. Herbe trop longue. Batterie défectueuse.	Recharger batterie; Référez-vous également au manuel d'utilisation de la chargeur. Couper en plusieurs étapes. Remplacer la batterie.
Appareil ne coupant pas.	Fil brisé. Batterie partiellement déchargée. Moteur brisé.(régime moteur trop bas). Tiges d'herbe entremêlées autour de la tête coupante.	Remplacez la ligne. Recharger batterie; Référez-vous également au manuel d'utilisation de la chargeur. Consulter un agent de soutien technique. Retirer les herbes.
Voyant lumineux de la batterie ne s'éteignant pas. Impossible de charger la batterie.	Batterie mal mise. Vert-de-gris sur les contacts batterie. Batterie défectueuse.	Remettre correctement la batterie dans son chargeur. Nettoyer les contacts batterie ou remplacer la batterie. Remplacer la batterie.

Indicateur de charge de la batterie ne s'allumant pas.	La prise du chargeur batterie n'est pas branchée. Socle à verrouillage, câbles principaux ou chargeur batterie défectueux.	Insérer (à fond) la prise principale dans le socle à verrouillage. Vérifier la tension des câbles d'alimentation principale; faites vérifier le chargeur de batterie par un agent autorisé de soutien technique après-vente.
La commande d'alimentation ne fonctionne pas	Le fil de coupe n'est pas enroulé correctement. Le fil est mêlé. Le fil est usé.	Enrouler le fil manuellement, s'il ne se déroule toujours pas, retirer la bobine et le rebobiner. Remplacer par une nouvelle bobine de fil.

-
- 1. BOTÓN DE BLOQUEO DE APAGADO**

 - 2. MANGO TRASERO**

 - 3. INTERRUPTOR DE ENCENDIDO/APAGADO**

 - 4. PAQUETE DE BATERÍA ***

 - 5. BOTÓN DE BLOQUEO DE MANIJA**

 - 6. EJE SUPERIOR**

 - 7. COLLAR DE BLOQUEO**

 - 8. EJE INFERIOR**

 - 9. GUARDA PROTECTORA DE SEGURIDAD**

 - 10. GUARDA PARA FLORES**

 - 11. MANGO AUXILIAR**


 - 12. BOTÓN DE ALIMENTACIÓN AUTOMÁTICA**

 - 13. RUEDA BORDEADORA**

 - 14. CUCHILLA DEL HILO**
-

* No todos los accesorios ilustrados o descritos se incluyen junto con el producto estándar.

DATOS TÉCNICOS

Voltaje nominal	WG163 WG164	WG163.9
Voltaje nominal	20V  MAX*	
Velocidad nominal sin carga	7600/min	
Diámetro de Corte	12 pulg. (30cm)	
Diámetro del Hilo	0.065 pulg. (1.65mm)	
Tiempo Normal de Carga	5hr	/
Peso de la máquina	5.3 lbs(2.4kg)	4.6 lbs(2.1kg)

* Voltaje medido sin carga de trabajo. El voltaje inicial de la batería alcanza un máximo de 20 V. El voltaje nominal es 18 V.

ACCESORIOS

	WG163	WG163.9	WG164
Guarda protectora de seguridad	1	1	1
Guarda para flores	1	1	1
Cargador (WA3742)	1	/	1
Batería (WA3525)	2	/	2
Rueda bordeadora	1	1	1
Bobina (WA0004)	1		3
Tapa de la bobina(WA0217)	1	1	2

Sólo utilice los accesorios apropiados diseñados para esta herramienta. Puede encontrar información sobre los accesorios en el embalaje del producto, consultando a un distribuidor de WORX o en nuestro sitio Web: www.worx.com o comunicándose al 1-866-354-WORX (9679).

ADVERTENCIA: cualquier otro accesorio o conexión puede incrementar el riesgo de lesiones.

INSTRUCCIONES DE SEGURIDAD



¡ADVERTENCIA! Cuando se emplean herramientas eléctricas para jardinería, siempre deben seguirse ciertas pautas básicas de seguridad a fin de reducir el riesgo de incendio, descarga eléctrica o lesión seria, incluyendo las siguientes:



¡ADVERTENCIA! Lea y comprenda todas las instrucciones.



ADVERTENCIA: Este producto podría contener plomo, ftalato y otros químicos identificados por el Estado de California como causantes de cáncer, defectos congénitos y otras lesiones reproductivas. Lávese las manos después de utilizar.

PARA TODAS LAS HERRAMIENTAS

- 1) Evite ambientes peligrosos. No utilice las herramientas en lugares húmedos o mojados.
- 2) No trabaje bajo la lluvia.
- 3) Mantenga alejados a los niños. Todos los visitantes deben mantenerse a distancia del área de trabajo.
- 4) Vístase apropiadamente. No use ropas sueltas o alhajas, ya que pueden quedar atrapadas en las piezas móviles. Cuando se trabaja al aire libre se recomienda el uso de guantes de goma y calzado resistente. Emplee protección adecuada para contener el cabello largo.
- 5) Utilice gafas de seguridad. Emplee siempre máscara para la cara o máscara anti-polvo en operaciones donde se emite mucho polvo.
- 6) Utilice la herramienta correcta. Emplee la herramienta únicamente para la finalidad para la cual fue diseñada.
- 7) No fuerce la herramienta. Hará un trabajo mejor y más seguro a la velocidad para la cual fue diseñada.
- 8) No se extralimite. Manténgase firme y con buen equilibrio en todo momento.
- 9) Permanezca alerta. Ponga siempre atención en lo que está haciendo. Utilice el sentido común. No opere la herramienta cuando esté cansado.
- 10) Guarde las herramientas que no usa en lugares cerrados. Cuando no se encuentran en uso, las herramientas deben guardarse en un lugar seco, elevado o cerrado con llave, lejos del alcance de los niños.
- 11) Mantenga la herramienta con cuidado. Conserve los bordes cortantes limpios y bien afilados, a fin de obtener el mejor rendimiento y reducir los riesgos de lesiones. Siga las instrucciones para la lubricación y el cambio de accesorios. Mantenga los mangos secos, limpios y libres de aceite y grasa.
- 12) Verifique las piezas dañadas. Las guardas protectoras u otras partes dañadas deben verificarse cuidadosamente antes de cualquier uso futuro de la herramienta, a fin de determinar si funcionarán correctamente y realizarán la función prevista. Compruebe que las piezas móviles se encuentren alineadas y correctamente ajustadas, que no haya rotura de piezas, de montaje o cualquier otra condición que pueda afectar su funcionamiento. Una guarda protectora u otra pieza que se encuentre dañada debe ser reparada o sustituida correctamente en un centro de servicio autorizado, a menos que en este manual de instrucciones se indique lo contrario.

ADVERTENCIAS DE SEGURIDAD PARA LAS HERRAMIENTAS DE JARDINERÍA A BATERÍA

1. Advertencias de seguridad para las herramientas de jardinería a batería:

- 1) No cargue el artefacto en la lluvia, o en lugares húmedos.
- 2) No use artefactos a batería bajo la lluvia.



EXTRAIGA SIEMPRE LA BATERÍA ANTES DE AJUSTAR LA POSICIÓN DEL CABEZAL DE LA BORDEADORA.

2. Para todos los productos a batería que empleen una batería extraíble o independiente:

- 1) Use únicamente el siguiente tipo y tamaño de baterías: WA3525 / WA3520
- 2) No tire las baterías al fuego. Pueden llegar a explotar. Consulte los códigos locales para obtener instrucciones especiales de desecho.
- 3) No abra ni mutile las baterías. El electrolito que se puede liberar es corrosivo y puede provocar daños a los ojos o la piel. Puede ser tóxico si se traga.
- 4) Tenga cuidado al manipular la batería para no hacer un cortocircuito con materiales conductores como anillos, brazaletes y llaves. La batería o el conductor pueden recalentarse y causar quemaduras.

3. Evite el arranque accidental - No transporte la herramienta enchufada con el dedo en el interruptor. Cerciórese de que el interruptor esté apagado cuando enchufe la máquina.

22 CONSERVE ESTAS INSTRUCCIONES

INSTRUCCIONES DE SEGURIDAD ADICIONALES PARA LA CORTADORA DE CÉSPED

1. Mantenga las guardas en su ubicación y en condiciones de funcionamiento.
2. Mantenga las manos y pies alejados del área de corte.
3. No utilice líneas más gruesas que las recomendadas en este manual.
4. No utilice materiales de línea de otro tipo, como cable de metal, cuerda o elemento similar.

ADVERTENCIAS DE SEGURIDAD GENERAL PARA EL PAQUETE DE BATERÍA

¡ADVERTENCIA! Lea y comprenda todas las instrucciones. El no seguir todas las instrucciones a continuación puede ocasionar descargas eléctricas, incendios y/o heridas graves.





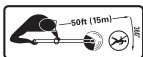




- 1) **ADVERTENCIA: Riesgo de incendio y quemaduras. No desarmar, calentar por encima de los 100 °C (212 °F), ni incinerar. No exponga las celdas o baterías al calor o fuego. Evite guardar a la luz directa del sol.**
- 2) **Deseche las baterías usadas de inmediato. Cuando deseche las celdas o baterías secundarias, mantenga las celdas o baterías de sistemas electroquímicos diferentes separadas entre sí.**




- 3) **Mantenga las baterías fuera del alcance de los niños y en el paquete original hasta que estén listas para usar.**
- 4) **Nunca se lleve las baterías a la boca. Si se tragan, contacte a su médico o al centro de control de envenenamiento local.**
- 5) **PRECAUCIÓN - La batería usada en este dispositivo puede presentar riesgo de incendio o quemadura química si se manipula en forma incorrecta. Reemplace la batería con (WORX) solamente. El uso de otra batería puede presentar riesgo de incendio o explosión.**
- 6) **Advertencia: no use un paquete de batería o dispositivo visiblemente dañado según corresponda.**
- 7) **Advertencia: no modifique ni intente reparar el dispositivo o batería según corresponda.**
- 8) **LA BATERÍA DEBE RECICLARSE**
- 9) **Evite cortocircuitos de celda o batería. No guarde las celdas o baterías en forma peligrosa en una caja o cajón donde puedan hacer cortocircuito entre sí o con materiales conductivos.**
- 10) **No someta las celdas o baterías a descargas mecánicas.**
- 11) **Mantenga las celdas y baterías limpias y secas.** Limpie las terminales de batería o celda con un paño seco y limpio si se ensucian.
- 12) **No mantenga en carga las celdas y baterías secundarias cuando no estén en uso.**
- 13) **Conserve la información de la batería y celda originales para referencia futura.**
- 14) No use cargadores que no sean los específicamente suministrados para uso con el equipo. Las celdas y baterías secundarias se deben cargar antes del uso. Siempre use el cargador correcto y consulte las instrucciones del fabricante o el manual del equipo para saber las instrucciones correctas de carga.
- 15) Cuando sea posible quite la batería del equipo cuando no esté en uso.
- 16) Evite un encendido no intencional. Asegúrese de que el interruptor se encuentre en la posición de apagado antes de realizar la conexión con la batería, recoger o transportar la herramienta. El transporte de la herramienta con el dedo sobre el interruptor o con una herramienta que está energizada y posee el interruptor en la posición de encendido puede provocar accidentes.
- 17) Desconecte la batería de la herramienta antes de realizar ajustes, cambiar accesorios o almacenar la herramienta. Dichas medidas de seguridad preventivas reducen el riesgo de encender la herramienta de forma accidental.
- 18) En condiciones de uso abusivo, es posible que se expulse líquido desde la batería. Evite el contacto. Si ocurre un contacto accidental, enjuague con agua. Si el líquido entra en contacto con los ojos, solicite asistencia médica. El líquido expulsado desde la batería podría causar irritación o quemaduras.

- 19) Solicite el servicio técnico a una persona de reparación calificada solo utilizando piezas de reemplazo idénticas. Esto garantizará que se mantenga la seguridad del producto.

CONSERVE ESTAS INSTRUCCIONES

SÍMBOLOS

	Para reducir el riesgo de lesiones, el usuario deberá leer el manual de instrucciones
	Emplee protección auditiva
	Use lentes de seguridad
	Para evitar el riesgo de descarga eléctrica, no utilice en ambientes húmedos o mojados
	Mantenga a todas las demás personas, incluyendo niños, animales y visitantes a 50 pies (15 metros) de la zona de peligro. Detenga inmediatamente la bordeadora si alguien se le aproxima.
 Li-Ion	Batería de iones de litio. Recolección por separado. La batería deberá reciclarse.
	call2recycle POSITEC Inc. ha establecido una asociación con la empresa RBRC para el reciclaje de todas las baterías Positec que posean el sello RBRC-call2recycle. Para contribuir con la protección del medio ambiente, no deseché las baterías como residuos normales. Después de que haya finalizado el ciclo de vida útil de la batería, comuníquese al 1-800-822-8837 para acceder al servicio gratuito.
	Bordeado
	Desmalezado

	Bloqueo
	Desbloqueo
	Asegúrese de extraer la batería antes de cambiar los accesorios.

ENSAMBLE & FUNCIONAMIENTO

ACCIÓN	FIGURA
ENSAMBLE	
Armado de la guarda de seguridad	Consulte la Figura A1, A2
Montaje de rueda de bordeadora	Consulte la Figura B
Instalación y extracción de la batería	Consulte la Figura C
Carga de la batería Se pueden encontrar más detalles en el manual del cargador	Consulte la Figura D
FUNCIONAMIENTO	
Llave de encendido/apagado de seguridad	Consulte la Figura E
Desmalezado	
- Ajuste del eje	Consulte la Figura F
- Ajuste del cabezal de la cortadora de césped	Consulte la Figura G1, G2
- Ajuste del mango auxiliar	Consulte la Figura H
- Desmalezado	Consulte la Figura I1
- Uso de protección de flores	Consulte la Figura I2
Bordeado	
- Cambio de la herramienta a modo de bordeado	Consulte la Figura J1, J2
- Bordeado	Consulte la Figura K
Abastecimiento automático del hilo	Consulte la Figura L

Alimentación manual de la línea	Consulte la Figura M
Reemplazo de la línea y bobina de la bordeadora	Consulte la Figura N1, N2, N3
Bobinado manual de la línea	Consulte la Figura O1, O2, O3, O4

INSTRUCCIONES DE FUNCIONAMIENTO



ADVERTENCIA: Tanto el cargador como el pack de batería están diseñados para operar conjuntamente, de modo que no debe utilizarse ningún otro dispositivo. Nunca inserte objetos metálicos en las conexiones del cargador o del pack de batería, pues incurriría en peligro de avería eléctrica.

1. SISTEMA AUTOMÁTICO DE ABASTECIMIENTO DEL HILO

Quando se enciende la cortadora se abastece una pequeña longitud de hilo. Cada vez que se arranque la herramienta desde la posición de reposo, avanzará aproximadamente 0.25 pulgadas en la línea de la bordeadora.

Se escuchará un golpeteo durante unos segundos. Esto es normal y se produce cuando la cuchilla corta el hilo. Una vez que el hilo ha sido cortado a la longitud correcta, el golpeteo se detendrá y el motor de la bordeadora alcanzará la velocidad máxima.

Si el ruido de la línea de corte no se puede escuchar, se necesitará alimentar más línea. Para abastecer mayor longitud de hilo, detenga completamente la máquina y luego vuelva a arrancarla, dejando que el motor alcance la máxima velocidad.

Reitere esta operación hasta escuchar el golpeteo producido por el corte del hilo.



2. (Consulte la Figura. L)

La cortadora de césped posee un sistema de alimentación automática. Para alimentar eficientemente la línea, sólo presione el botón de comando de alimentación mientras la máquina está funcionando hasta que escuche el ruido de 'repiqueteo' del corte de la línea.

El motor se apagará al presionar el botón de alimentación automática y se reiniciará al soltar el botón. Durante este proceso, se alimentará automáticamente hilo adicional para el corte.

3. ALIMENTACIÓN MANUAL DE LA LÍNEA (Consulte la Figura M)

Apague la podadora y extraiga la batería. Si se requiere, la línea se puede alimentar manualmente.

Presione y afloje el botón de abastecimiento manual de hilo mientras tira suavemente de los hilos hasta que estos lleguen a la cuchilla. Si la línea se extiende más allá del cortador de línea, se alimentó demasiada línea. En tal caso, retire la tapa de la bobina y mueva la bobina en sentido counter-horario hasta lograr la longitud de hilo deseada.

4. BOBINADO MANUAL DE LA LÍNEA (Consulte la Figura O1, O2, O3, O4)

Tome aproximadamente 3 metros de hilo e inserte 15 mm dentro de uno de los orificios de la parte superior de la bobina. Enrolle el hilo en la dirección de las flechas sobre la parte superior de la bobina. Siempre enrolle 4 pulgadas (100mm) el hilo comenzando por la parte superior de la bobina. Debe ponerse especial cuidado en asegurarse de que el hilo esté prolijamente enrollado alrededor de la bobina. De lo contrario, se deteriorará la eficiencia del abastecimiento automático de hilo. Después coloque el carrete como se muestra en la Fig. N1, N2, N3.

MANTENIMIENTO

Después de usar, desconecte la batería de la herramienta y revise si hay daño. Su herramienta eléctrica no requiere de lubricación ni mantenimiento adicional. No posee piezas en su interior que puedan ser reparadas por el usuario. Las cortadoras eléctricas deben ser reparadas exclusivamente por personal autorizado. Utilice repuestos y accesorios recomendados únicamente por el fabricante. Nunca emplee agua o productos químicos para limpiar su herramienta. Use simplemente un paño seco. Guarde siempre su herramienta en un lugar seco y fuera del alcance de los niños. Mantenga limpias las ranuras de ventilación del motor. Mantenga todos los controles de funcionamiento libres de polvo.

SOLUCIÓN DE PROBLEMAS

La siguiente tabla incluye comprobaciones y acciones que puede realizar si la herramienta no funciona de forma correcta. Si éstas no identifican y corrigen el problema, póngase en contacto con el servicio de atención al cliente de WORX al 1-866-354-WORX.



ADVERTENCIA: Apague la herramienta y extraiga la batería antes de efectuar la resolución de problemas.

Problemas	Posibles causas	Acción correctiva
La podadora no funciona.	Batería descargada. Batería demasiado caliente/fría. Motor dañado. Cableado interno de la herramienta dañado.	Vuelva a cargar la batería; además vea el contenido del manual del cargador. Espere a que la batería se enfríe/caliente. Póngase en contacto con un agente de servicio técnico. Póngase en contacto con un agente de servicio técnico.
La podadora funciona de forma intermitente.	Motor dañado. Batería no cargada totalmente. Interruptor de encendido/apagado dañado.	Póngase en contacto con un agente de servicio técnico. Vuelva a cargar la batería. Póngase en contacto con un agente de servicio técnico.
Vibraciones/ ruidos excesivos.	Herramienta defectuosa. Bobina de línea no bobinada de forma correcta.	Póngase en contacto con un agente de servicio técnico. Rebobine la línea. Consulte "BOBINADO MANUAL DE LA LÍNEA" (Figura. O1, O2, O3, O4).
El tiempo de corte por carga de la batería es demasiado bajo.	No se utilizó la batería durante un período de tiempo extenso o se la cargó sólo durante poco tiempo. Césped demasiado alto. Batería defectuosa.	Vuelva a cargar la batería; además vea el contenido del manual del cargador. Realice el corte por etapas. Reemplace la batería.
La herramienta no corta.	Línea dañada. Batería no cargada totalmente. Motor dañado. (velocidad demasiado lenta). Césped enredado alrededor del cabezal de corte.	Reemplace la línea. Vuelva a cargar la batería; además vea el contenido del manual del cargador. Póngase en contacto con un agente de servicio técnico. Extraiga el césped.
Encendido continuo del indicador de carga de la batería. No es posible efectuar el procedimiento de carga.	Batería no colocada (de forma correcta). Contactos de la batería sucios. Batería defectuosa.	Coloque correctamente la batería en el cargador de baterías. Limpie los contactos de la batería ó reemplace la batería. Reemplace la batería.

<p>El indicador de carga de la batería 18 no se enciende.</p>	<p>Cargador de baterías no enchufado(de forma correcta). Tomacorriente, cable de alimentación o cargador de baterías dañado.</p>	<p>Inserte el enchufe (por completo) en el tomacorriente. Compruebe la tensión de la alimentación. Haga revisar el cargador de baterías por un agente de postventa autorizado.</p>
<p>La alimentación automática no funciona.</p>	<p>Bobina de línea no bobinada de forma correcta. Línea enredada. La línea se encuentra agotada.</p>	<p>Alimente manualmente la línea. Si continúa sin poder realizarse la alimentación, extraiga la bobina y rebobine la línea. Reemplace por una nueva bobina de línea.</p>

CAUTION/ATTENTION/PRECAUCIÓN



LITHIUM ION BATTERY
BATTERIE AU LITHIUM-ION
BATERÍA DE ION DE LITIO



Do Not Load or Transport Package if Damaged

Il est interdit de charger ou de transporter le paquet s'il est endommagé

No cargue o transporte el paquete si está dañado

For more information, call / Pour plus d'informations, appelez-le / Para mayor información, llame al

Within USA and Canada / Aux États-Unis et au Canada / Dentro de EUA y Canadá: 1-800-424-9300

Outside USA and Canada / Hors des États-Unis et du Canada / Fuera de EUA y Canadá: +1-703-741-5970

Non Emergency / Hors urgence / No Emergencia: 855-694-2388

WORX
it's your nature

www.worx.com

Copyright © 2015, Positec. All Rights Reserved.

Copyright © 2015, Positec. Tous droits réservés.

© Derechos reservados 2015, Positec. Todos los derechos reservados.

AR01015401