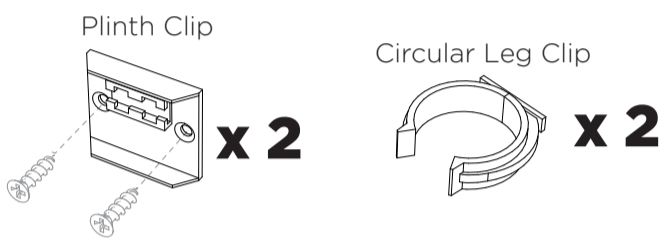
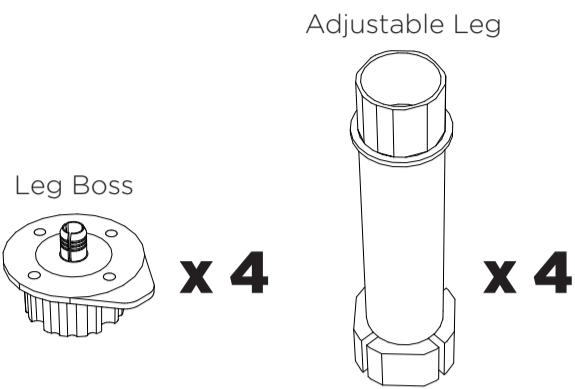
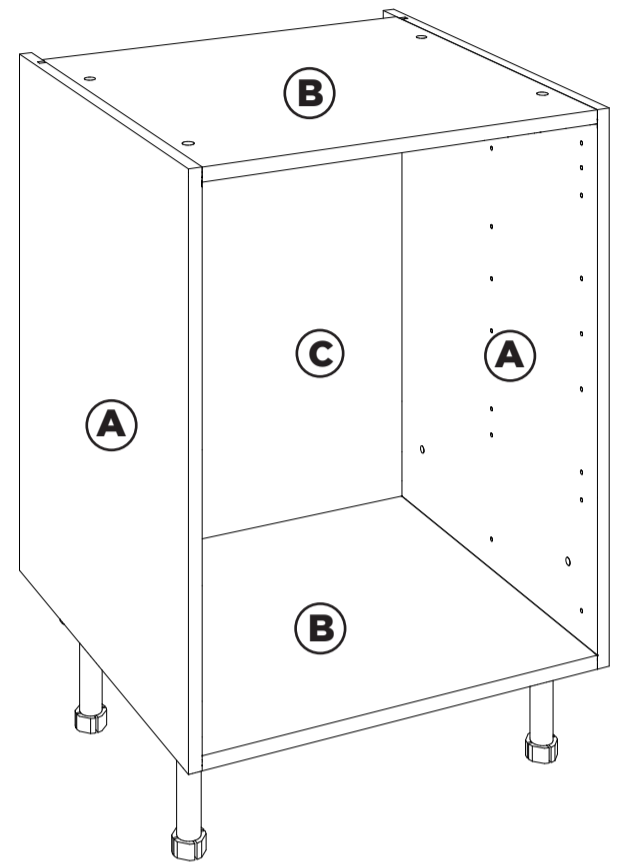
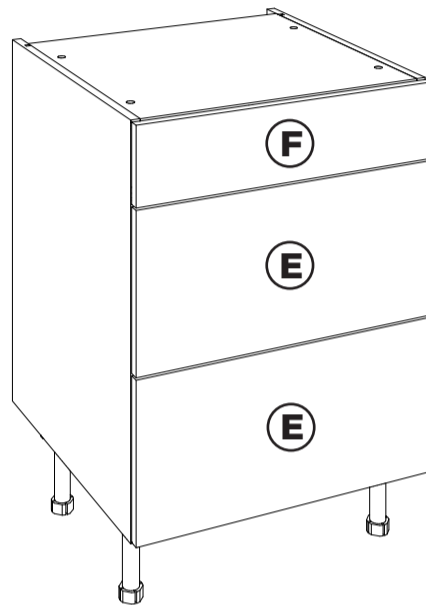


Fittings



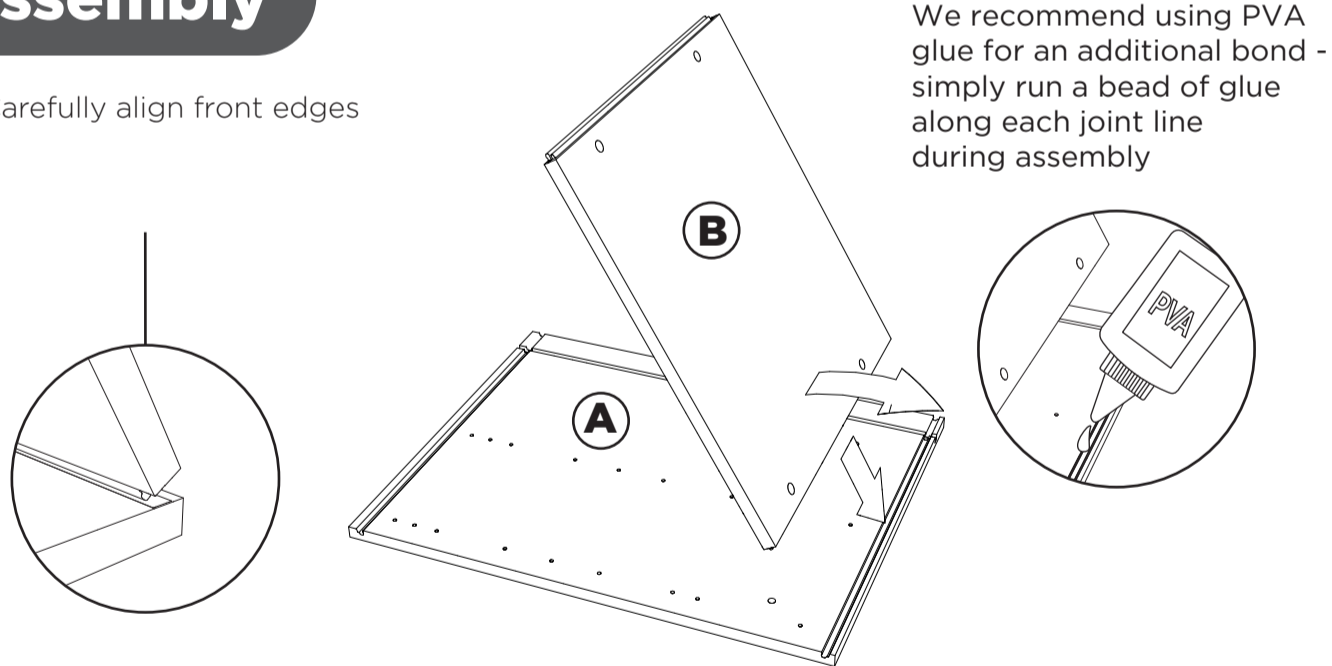
- (A)** Base End Panel
- (B)** Top/Bottom Panel
- (C)** Back Panel
- (E)** Drawer Front (283mm height)
- (F)** Drawer Front (140mm height)



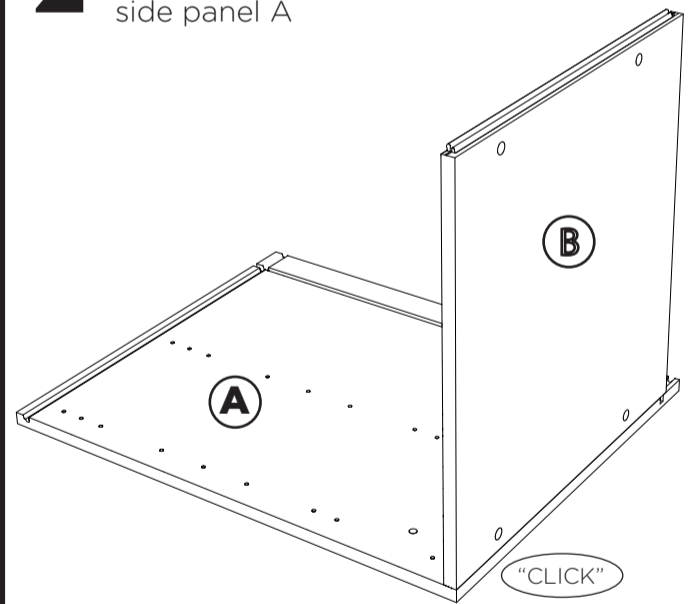
Please note - drawer boxes are packed separately

Assembly

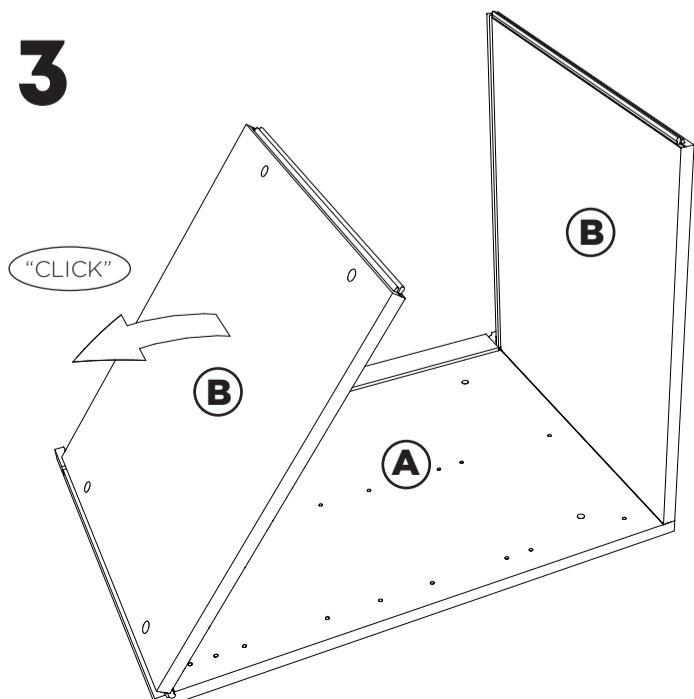
1 Carefully align front edges



2 Lock B panels into side panel A



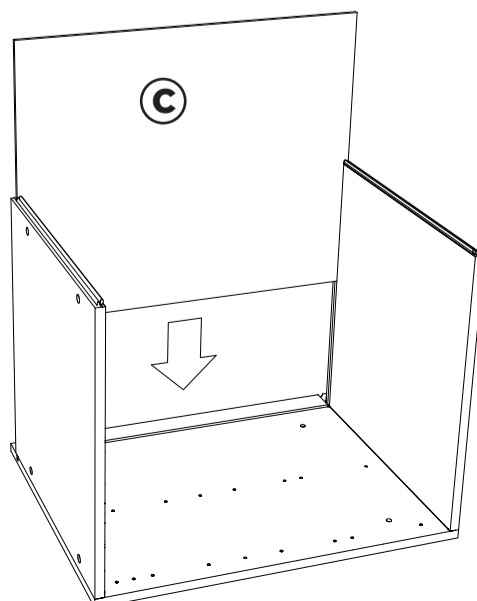
3



BA02 - 12K

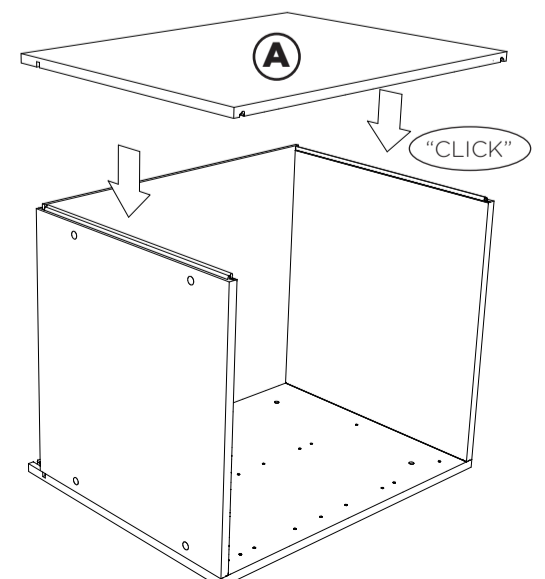
4

Slide back panel into place

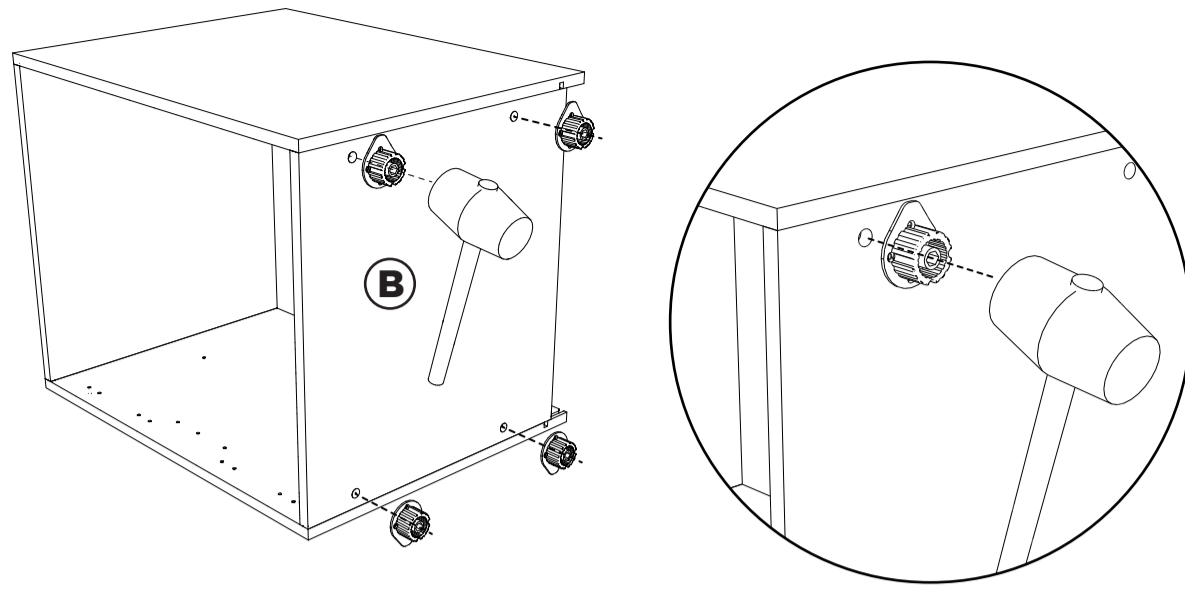


5

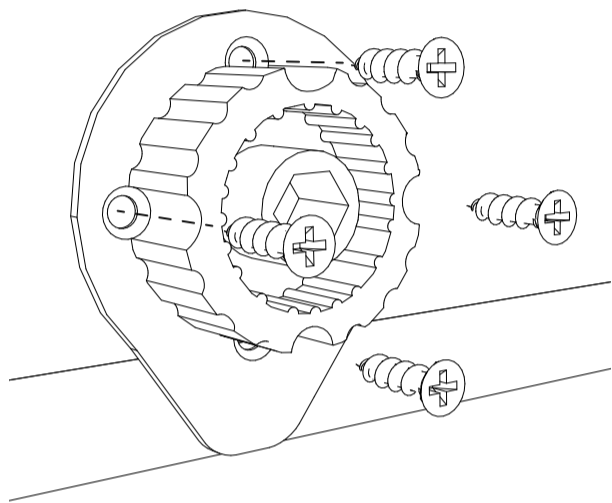
Press end panel A into top/bottom panels B and gently tap with a mallet



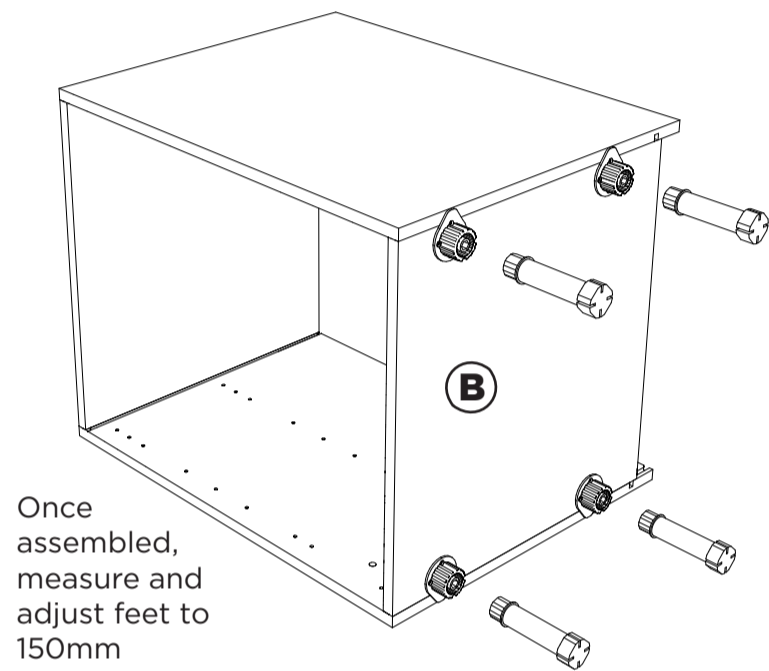
6 Gently tap leg boss into place



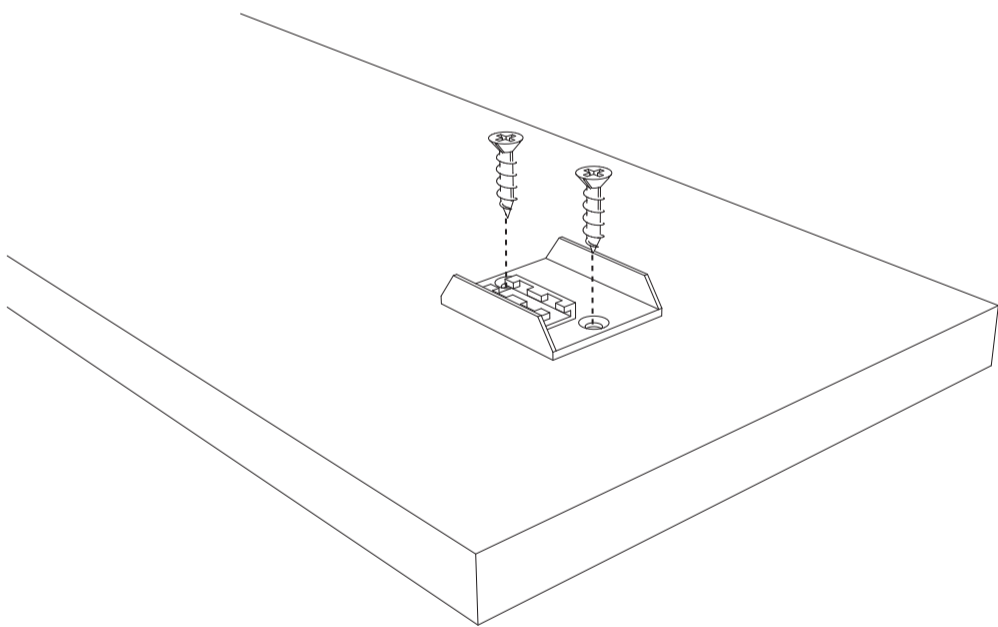
7 Screw leg boss in place



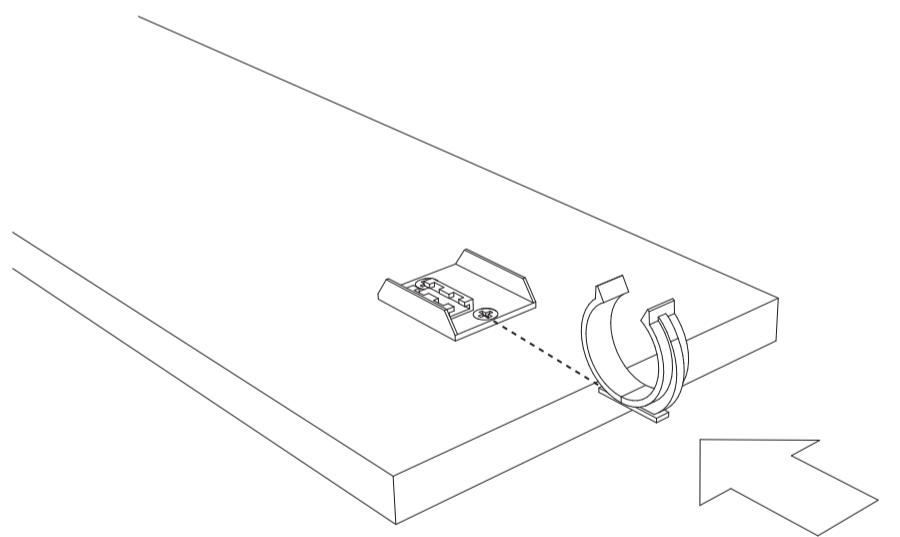
8 Insert adjustable legs into leg boss



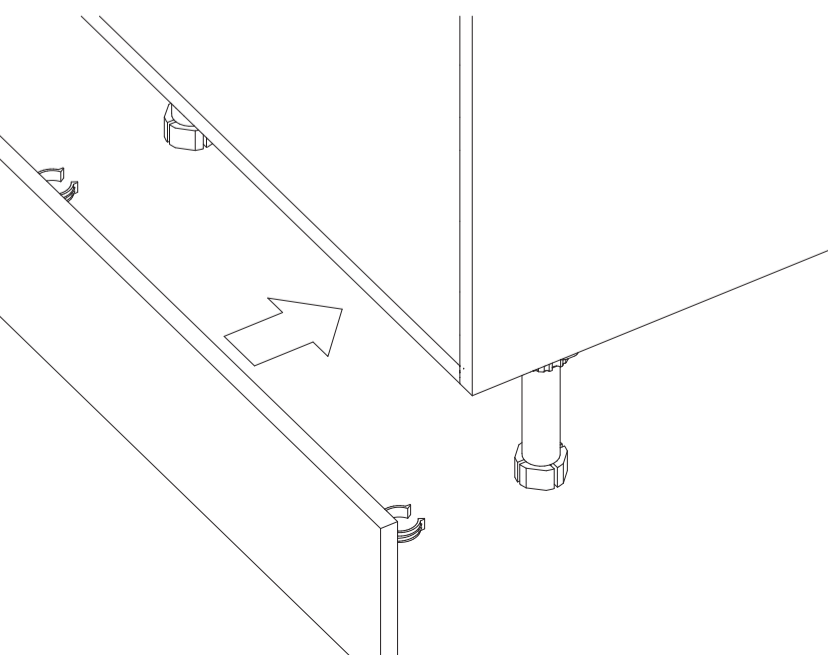
9 Attach plinth clip to plinth



10 Slide circular leg clip into plinth clip



11 Fix plinth into place



12 Begin assembling drawer runners and drawer boxes (see drawer instruction leaflet).

