

Wiser Electrical Heat Switch

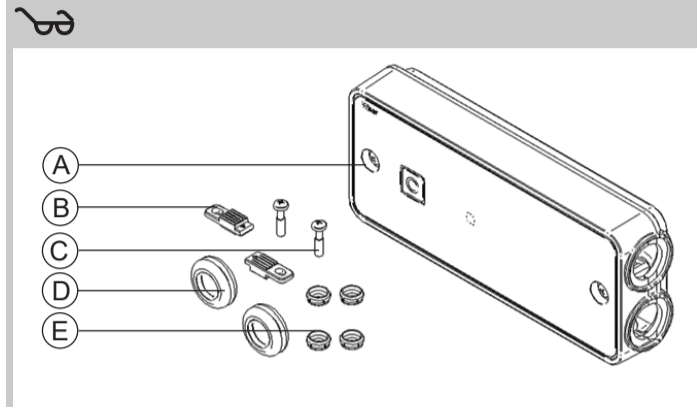


Fig. 1 - Install position

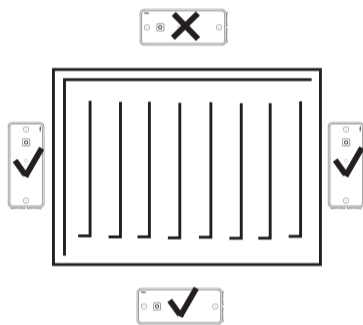


Fig. 2 - Mounting surface preparation

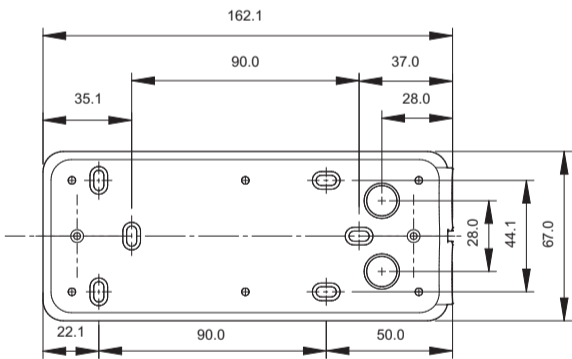


Fig. 3 - Pierce rubber grommet

Illustrative purposes only.

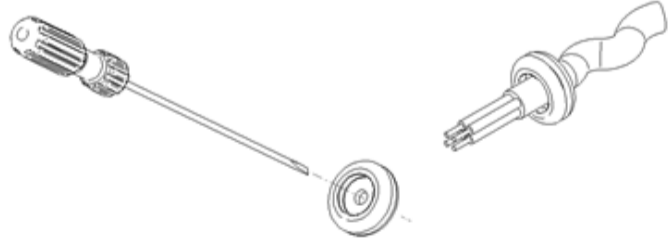


Fig. 4 - Insert cables

Illustrative purposes only.

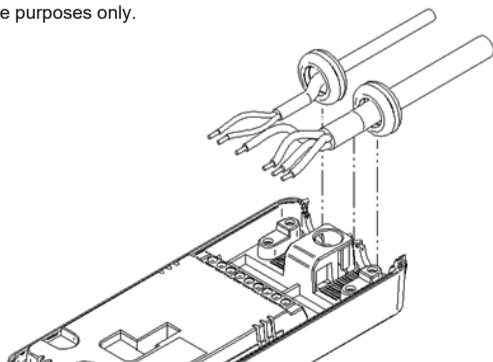


Fig. 5 - Secure cables

Illustrative purposes only.

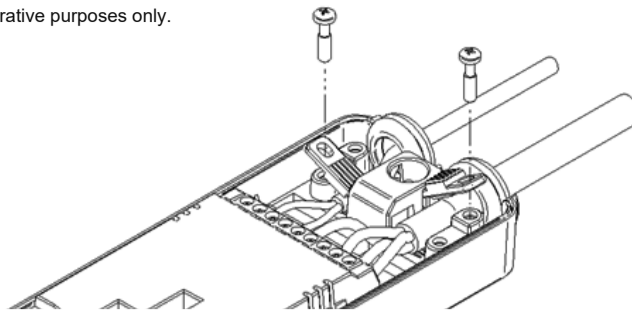


Fig. 6 - Blanking plugs

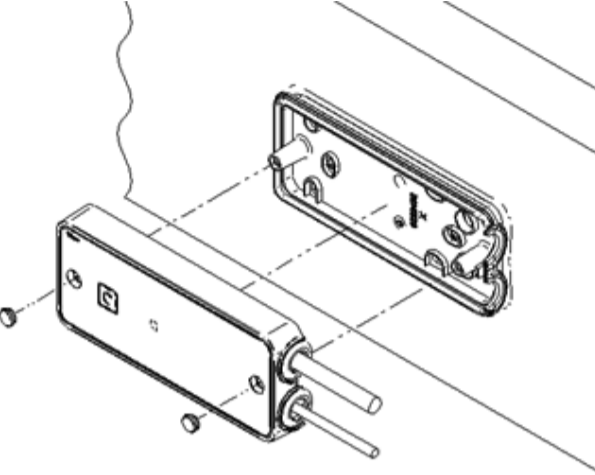
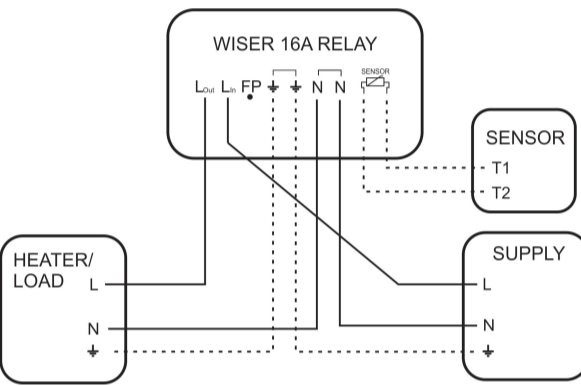


Fig. 7 - Wiring connections



Product information is available

For more detailed product information is available on the Internet -> Download document



<https://wiser.draytoncontrols.co.uk/>



In the box

- (A) Wiser Electrical Heat Switch
- (B) 2x Cable Clamps
- (C) 2x Cable Clamps Screws
- (D) 2x Rubber Grommets
- (E) 4x Blanking Plugs

Warnings

IMPORTANT - Do not attempt to install this product if you are not familiar with how to install mains powered electrical appliances.
IMPORTANT - Not SELV - Fixed wiring only, to comply with current local regulations.
CAUTION - Before installation, make sure the mains supply is switched off.
NOTE - When inserting the conductors into the connector blocks make sure they are securely screwed down.

⚠️ DANGER

RISK OF FATAL INJURY FROM ELECTRIC SHOCK

The device is not a Safety Extra Low Voltage (SELV) device. The sensors lines are on mains (230 VAC) line.

- Only use sensors with the appropriate insulation rating from the approved list in this document.

Failure to follow these instructions can result in death, serious injury, or equipment damage.

Installation

1. The Electrical Heat Switch must be installed below or to the side of any heat source. – Fig. 1
2. Prepare mounting surface as per the diagram. NOTE: Breakout tabs can be removed to provide 4x extra mounting holes and 2x larger holes for rear cover cable entry. – Fig. 2
3. Securely attach the black rear cover to the mounting surface.
4. Prepare cable for wiring. Insulation should be stripped back 6.5mm. Note: for installations with loads of 16A a minimum of 2.5mm² conductor should be used.
5. Pierce the rubber grommets with a small screwdriver and thread through the cable. To ensure IP44 ingress protection a tight seal must exist between the rubber grommets and the cable sheath. – Fig. 3
6. Push down the cables into the front cover receptacles as shown in the image below. – Fig. 7
7. Make the wiring connections, for surface wiring ensure rubber grommets are fitted to cable before wiring into connector blocks. For in-wall wiring remove the rear cover breakout tabs and feed cables through prior to wiring into connector blocks.

8. Secure the cable with the cable clamps and screws provided in your fixing kit. Note: cable clamps can be placed in high or low receptacles and can also be flipped to better compress the chosen cable. – Fig. 5
9. Position Front Cover over Rear Cover mounted on wall, push together and ensure Rubber Grommets sit neatly in their receptacles.
10. Fix together via two screws located on the front surface – both steps are shown in Fig. 6
11. To finish off pop the two blanking plug components over the screw heads. Fig. 6

Pairing Wiser Electrical Heat Switch

Standalone Operation – Before pairing the Wiser Electrical Heat Switch, basic manual control can be performed by pressing the button. A press of the button toggles the output on and off. The LED lights amber to show output is on.

Joining - When joining the Wiser Electrical Heat Switch to a Wiser system, please download the app and follow the instructions to join the device.

To initiate joining on the Wiser Electrical Heat Switch press the button for more than 2 seconds, the LED will start alternating between amber and green to confirm joining is in progress.

The LED will then flash green for 5 seconds on success, or red for 5 seconds if failed to join.

Factory reset - To return the Wiser Electrical Heat Switch to factory settings. Press and hold the button for more than 20 seconds. After 15 seconds the LED will flash red. Once the LED stops flashing red, release the button and the unit is factory reset.

When used for electrical underfloor heating a floor sensor must be used to define high or low temperature limits. This device is compatible with the following sensor types:

- 33kΩ Drayton Reference 193720
- 10kΩ ELKO Reference 5491605
- 15kΩ DEVI Reference 140F1091

The use of any other sensors it is not recommended. Remember to set the corresponding sensor value in the app during set up.

Technical data

Product name	Wiser Electrical Heat Switch
Product reference	WE714U1A0902
Rated voltage	230V ~50Hz AC ONLY
Power consumption	7.3 W
Purpose of control	Electrical Control, Manual + Automatic Control, Sensing Control
Type of load and rated current	16A Resistive
Ingress Protection	IP44* <small>*IP44 Ingress protection achieved in laboratory testing. Final IP rating dependent on installation. For best results ensure a good seal exist between the rubber grommets, cable and enclosure.</small>
Terminals	Suitable for conductor sizes 1.0-2.5mm ² Insulation strip length 6.5mm
Operating Temperature	0 to 60°C
Storage Temperature	-20°C to 65°C
Class of control	Class II
Method of mounting control	Independently mounted control
Method of providing earthing control	The control is not earthed Terminals are provided for linking external earthing conductors
Method of attachment for nondetachable cords	Type Y attachments
Extent of sensing element (if installed)	External temperature sensor setpoint range of 5°C to 30°C +5%
Operating value	User variable time control of electrical/heating system (only at system level through HubR)
Pollution degree	2
Rated impulse voltage	4kV
Ball pressure test	115°C
Software class	A
Radio Technology/ Frequency	2.4GHz
Radio signal range	30m free space
Maximum radio frequency power transmited	+13dBm (20mW)
Relevant directives	Radio Equipment Directives (RED) 2014/53/EU, RoHS directive 2011/65/EU and 2015/863/EU
Applied standards	EN60730-1; EN60730-2-9; EN 300 328; EN 301 489-1



Dispose of the device separately from household waste at an official collection point. Professional recycling protects people and the environment against potential negative effects.

Trademark

- Apple® and App Store® are brand names or registered trademarks of Apple Inc.
 - Google Play™ Store and Android™ are brand names or registered trademarks of Google Inc.
- Other brands and registered trademarks are properties of their relevant owners.

Declaration of conformity

Hereby, Schneider Electric Controls UK, declares that this product is in compliance with the essential requirements and other relevant provisions of RADIO EQUIPMENT DIRECTIVE 2014/53/EU. Declaration of conformity can be downloaded on: www.draytoncontrols.co.uk

If you have technical questions, please contact the Customer Care Centre in your country.



by Schneider Electric
Schneider Electrical Controls Ltd
 401 Southway Drive
 Plymouth PL6 6QT
Schneider Electric Industries SAS
 35 rue Joseph Monier
 F - 92500 Rueil-Malmaison

Technical Helpline: 0333 6000 622
customer.care@draytoncontrols.co.uk
www.wiser.draytoncontrols.co.uk
schneider-electric.com/contact
schneider-electric.com/wiser-support