

One good feature of this function is that you can use it 'just for a 2 hour period' i.e. getting up in the morning etc. which also means that you don't have to worry about forgetting to turn the unit off whilst you are away from your home, thus saving energy.

To operate the boost function when the unit is switched off, press the '2HR' button. The red LED under the ϕ will become lit, the green LED under the 2HR button will flash green, signifying that the '2HR' function is being used and also all five red LED's will become lit to show full power is set. The unit will then switch itself off after 2 hours.

To operate the boost function when the unit is already on with some of the red LED's lit, press the '2HR' button and the red LED under the ϕ will remain lit, the green LED under the 2HR button will flash green signifying that the '2HR' function is being used and also all five red LED's will become lit to show full power is set (unless of course all five red LED's are already set – in which case full power will be maintained). After two hours the green LED will stop flashing and whatever the power setting was before the 2HR button was pressed, will be resumed.

An optional chrome cover is available should you wish to coordinate with your other bathroom accessories.

TCP200 Thermal Control Plate

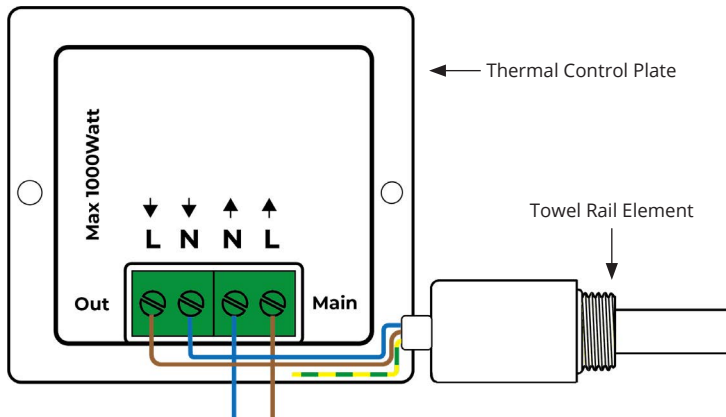
Thank you for purchasing this TCP200 thermal control plate which we hope will serve you well over the coming years.

Please read these instructions thoroughly before attempting to fit the product and before attaching the unit to your electrical system. The most important thing is to ensure that you have the correct size of element for the towel rail you propose to use with this control plate. We also supply towel rail elements and offer 150, 200, 250, 300, 400, 500, 600 & 800 watt models and in addition, as far as we are aware, this unit will control most current available towel rail elements currently being sold provided that they do not exceed 1,000 watts.

Safety precautions: this product should be fitted by a competent person who can ensure compliance with IEE, Part P and local authority regulations. Ensure the main electrical circuit and the fused spur are both isolated before fitting. It should also be fitted within the correct zone in the room. After fitting, ensure that the unit is sealed around all sides with a silicone sealant to prevent water ingress to the back of the unit. The unit is only IP rated provided it is sealed to the wall and fitted into a standard 85mm pattress box with the correct depth.

Wiring the towel rail element

The fused spur before this control plate in the ring main, should be fitted with a suitable fuse to the appropriate standard. When connecting the towel rail element, the wires from the element should be wired to the side marked 'out' on the TCP200.



Blue (neutral) - to the 'N' marking on the 'OUT' side of the control plate.

Brown (live) - to the 'L' marking on the 'OUT' side of the control plate.

Green/yellow (earth) - the TCP200 does not require an earth wire so the 'earth' wire from the towel rail element should go to the earth post in the wall box or be connected to the ring main.

The incoming 240v main live and neutral may now be connected. The blue 'neutral' to the 'N' on the 'main' side and the brown 'live' to the 'L' on the 'MAIN' side. Finally, double check that the earth wire is securely connected to the earthing post on the inside of the back box together with the earth from the ring main.

Carefully fit the control plate into the back box ensuring that no wires are trapped during the fitting process and that the cable is located in the 'cut out' underneath. Use the 2 fixing screws supplied to secure to the wall back box.

User instructions

There are 4 buttons on the control plate. The **'ON/OFF'** button ϕ (**Red**), the temperature **'INCREASE/DECREASE'** buttons '<' (**Blue**) & '>' (**Red**) and the **'2HR'** boost button (**Green**).

Basic operation

To turn the unit on in normal mode, press the ϕ button and release it. The red LED will light up beneath the button to show the unit is on and at least one of the five LED's below that will also become lit.

To increase or decrease the temperature, press the < > buttons to attain the desired setting. Each one of the red LED's that becomes lit signifies that 20% of the total output being used. E.g. if you have a 250 watt element fitted into your towel rail, then 1 lit red 'LED' in the set of 5, will mean that you are using 50 watts of power, 2 LED's means 100 watts etc. up to full power of 5 LED's, using 250 watts.

The unit will remain on as long as the power LED remains lit.

To turn the unit off, press the ϕ button and release it. Nb the control plate contains a memory and whatever the temperature that was set when the unit was turned off, will be the temperature (number of LED's lit) that the element will resume at when the unit is turned on the next time.

'2HR' Boost' Function

The boost function allows you to go to full power for a limited period of time with the press of one button. Then after a period of 2 hours, the unit will revert to the setting that was set before the '2HR' button was pressed. E.G. If three red LED's were lit, showing a 60% usage, and then you press the 2HR button, the green LED beneath the 2HR button will flash green for a period of two hours before going out and the power will then revert to that originally set on the red LED's.