

Milwaukee®

Nothing but **HEAVY DUTY**®



M18 BLSAG125X **M18 BLSAG115XPD** **M18 BLSAG125XPD**

Original instructions

Originalbetriebsanleitung

Notice originale

Istruzioni originali

Manual original

Oorspronkelijke gebruiksaanwijzing

Original brugsanvisning

Original bruksanvisning

Bruksanvisning i original

Alkuperäiset ohjeet

Πρωτότυπο οδηγιών χρήσης

Orijinal işletme talimatı

Původním návodem k používání

Pôvodný návod na použitie

Instrukcją oryginalną

Eredeti használati utasítás

Izvirna navodila

Originalne pogonske upute

Instrukcijām oriģinālvalodā

Originali instrukcija

Alguräране kasutusjuhend

Оригинальное руководство по эксплуатации

Оригинално ръководство за експлоатация

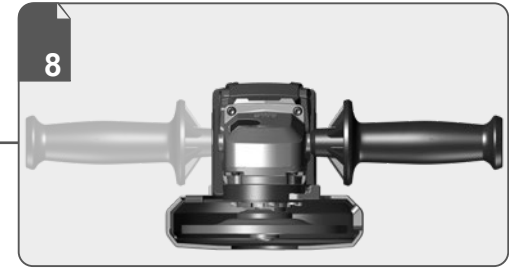
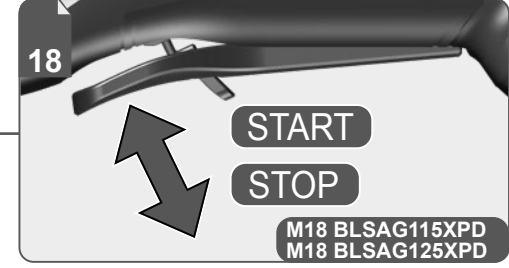
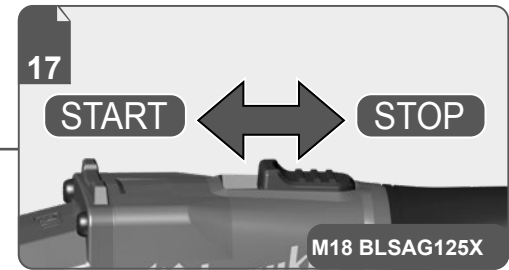
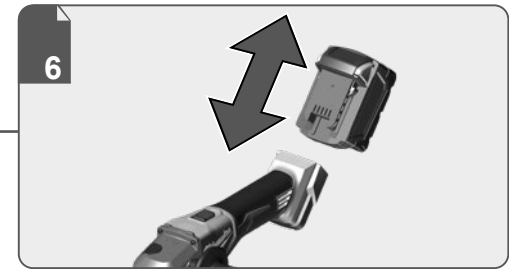
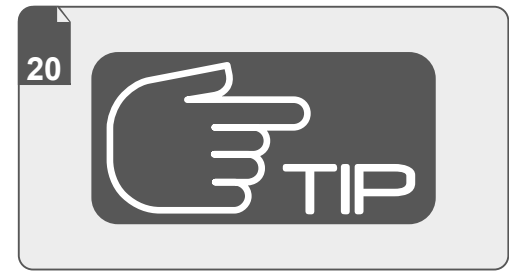
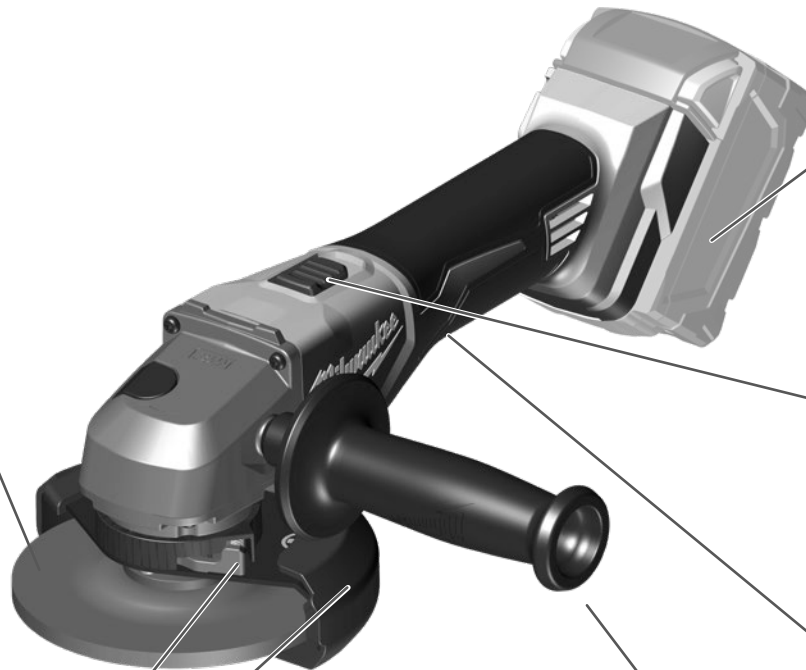
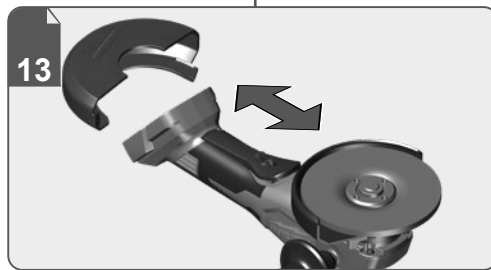
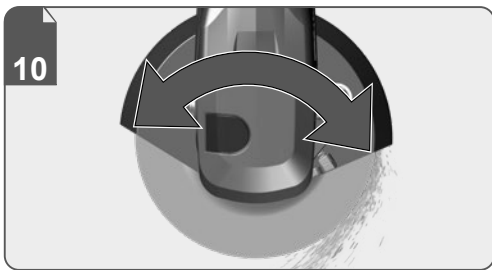
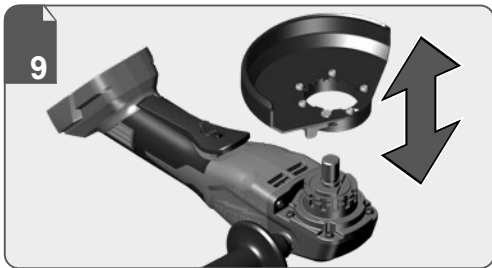
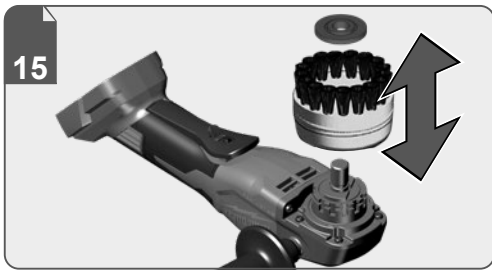
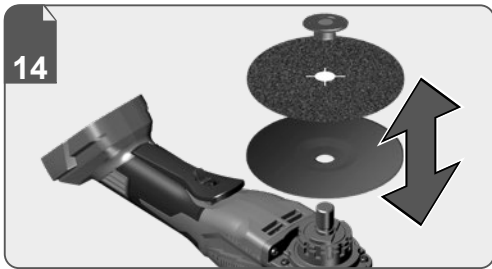
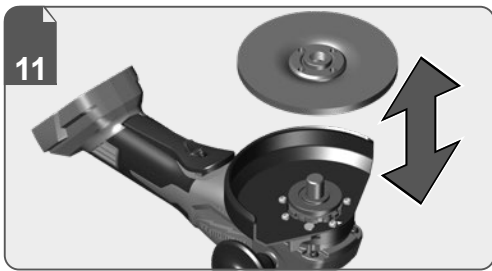
Instrucțiuni de folosire originale

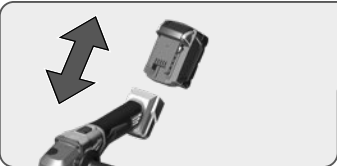
Оригинален прирачник за работа

Оригінал інструкції з експлуатації

التعليمات الأصلية

ENGLISH	Picture section with operating description and functional description	Page	4	Text section with Technical Data, important Safety and Working Hints and description of Symbols	Page	20
DEUTSCH	Bildteil mit Anwendungs- und Funktionsbeschreibungen	Seite	4	Textteil mit Technischen Daten, wichtigen Sicherheits- und Arbeitshinweisen und Erklärung der Symbole.	Seite	25
FRANÇAIS	Partie imagée avec description des applications et des fonctions	Page	4	Partie textuelle avec les données techniques, les consignes importantes de sécurité et de travail ainsi que l'explication des pictogrammes.	Page	30
ITALIANO	Sezione illustrata con descrizione dell'applicazione e delle funzioni	Pagina	4	Sezione testo con dati tecnici, importanti informazioni sulla sicurezza e sull'utilizzo, spiegazione dei simboli.	Pagina	35
ESPAÑOL	Sección de ilustraciones con descripción de aplicación y descripción funcional	Página	4	Sección de texto con datos técnicos, indicaciones importantes de seguridad y trabajo y explicación de los símbolos.	Página	40
PORTUGUES	Parte com imagens explicativas contendo descrição operacional e funcional	Página	4	Parte com texto explicativo contendo Especificações técnicas, avisos de segurança e de operação e a descrição dos símbolos.	Página	45
NEDERLANDS	Beeldgedeelte met toepassings- en functiebeschrijvingen	Pagina	4	Tekstgedeelte met technische gegevens, belangrijke veiligheids- en arbeidsinstructies en verklaring van de symbolen.	Pagina	50
DANSK	Billeddel med anvendelses- og funktionsbeskrivelser	Side	4	Tekstdel med tekniske data, vigtige sikkerheds- og arbejdsanvisninger og symbolforklaring.	Side	55
NORSK	Billeddel med bruks- og funksjonsbeskrivelse	Side	4	Tekstdel med tekniske data, viktige sikkerhets- og arbeidsinstruksjoner og forklaring av symbolene.	Side	60
SVENSKA	Bilddel med användnings- och funktionsbeskrivning	Sidan	4	Textdel med tekniska informationer, viktiga säkerhets- och användningsinstruktioner samt symbolförklaringar.	Sidan	65
SUOMI	Kuvasivut käyttö- ja toimintakuvaus	Sivu	4	Tekstisivut: tekniset tiedot, tärkeät turvallisuus- ja työskentelyohjeet sekä merkkien selitykset.	Sivu	70
ΕΛΛΗΝΙΚΑ	Τμήμα εικόνων με περιγραφές χρήσης και λειτουργίας	Σελίδα	4	Τμήμα κειμένου με τεχνικά χαρακτηριστικά, σημαντικές υποδείξεις ασφαλείας και εργασίας και εξήγηση των συμβόλων.	Σελίδα	75
TÜRKÇE	Resim bölümü Uygulama ve fonksiyon açıklamaları ile birlikte	Sayfa	4	Teknik bilgileri, önemli güvenlik ve çalışma açıklamalarını ve de sembollerin açıklamalarını içeren metin bölümü.	Sayfa	80
ČESKY	Obrazová část s popisem aplikací a funkcí	Stránka	4	Textová část s technickými daty, důležitými bezpečnostními a pracovními pokyny a s vysvětlivkami symbolů	Stránka	85
SLOVENSKY	Obrazová část s popisom aplikácií a funkcií	Stránka	4	Textová časť s technickými dátami, dôležitými bezpečnostnými a pracovnými pokynmi a s vysvetlivkami symbolov	Stránka	90
POLSKI	Część rysunkowa z opisami zastosowania i działania	Strona	4	Część opisowa z danymi technicznymi, ważnymi wskazówkami dotyczącymi bezpieczeństwa i pracy oraz objaśnieniami symboli.	Strona	95
MAGYAR	Képes részalkalmazási- és működési leírásokkal	Oldal	4	Szöveges rész műszaki adatokkal, fontos biztonsági- és munkavégzési útmutatásokkal, valamint a szimbólumok magyarázata.	Oldal	100
SLOVENSKO	Del slikez opisom uporabe in funkcij	Stran	4	Del besedila s tehničnimi podatki, pomembnimi varnostnimi opozorili in delovnimi navodili in pojasnili simbolov.	Stran	105
HRVATSKI	Dio sa slikamasa opisima primjene i funkcija	Stranica	4	Dio štiva sa tehničkim podacima, važnim sigurnosnim i radnim uputama i objašnjenjem simbola.	Stranica	110
LATVISKI	Attēla daļa ar lietošanas un funkciju aprakstiem	Lappuse	4	Teksta daļa ar tehniskajiem parametriem, svarīgiem drošības un darbības norādījumiem, simbolu atšifrējumiem.	Lappuse	115
LIETUVIŠKAI	Paveikslėlio dalis su vartojimo instrukcija ir funkcijų aprašymais	Puslapis	4	Teksto dalis su techniniais duomenimis, svarbiomis saugumo ir darbo instrukcijomis bei simbolių paaiškinimais.	Puslapis	120
EESTI	Pildiosa kasutusjuhendi ja funktsioonide kirjeldusega	Lehekülg	4	Tekstiosa tehniliste näitajate, oluliste ohutus- ja tööjuhenditega ning sümbolite kirjeldustega.	Lehekülg	125
РУССКИЙ	Раздел иллюстраций с описанием эксплуатации и функций	Страница	4	Текстовый раздел, включающий технические данные, важные рекомендации по безопасности и эксплуатации, а также описание используемых символов.	Страница	129
БЪЛГАРСКИ	Част със снимки с описание за приложение и функции	Страница	4	Част с текст с технически данни, важни указания за безопасност и работа и разяснение на символите.	Страница	134
ROMÂNĂ	Secvența de imagine cu descrierea utilizării și a funcționării	Pagina	4	Porțiune de text cu date tehnice, indicații importante privind siguranța și modul de lucru și descrierea simbolurilor.	Pagina	139
МАКЕДОНСКИ	Дел со сликисо описи за употреба и функционирање	Страница	4	Текстуален дел со Технички карактеристики, важни безбедносни и работни упатства и објаснување на символите.	Страница	144
УКРАЇНСЬКА	Частина з зображеннями з описом робіт та функцій	Сторінка	4	Текстова частина з технічними даними, важливими вказівками з техніки безпеки та експлуатації і поясненням символів.	Сторінка	149
عربي	قسم الصور يوجد به الوصف التشغيلي والوظيفي	الصفحة	4	القسم النصي المزود بالبيانات الفنية والنصائح الهامة للسلامة والعمل ووصف الرموز	الصفحة	157





Remove the battery pack before starting any work on the machine.
Vor allen Arbeiten an der Maschine den Wechselakku herausnehmen.

Avant tous travaux sur la machine retirer l'accu interchangeable.

Prima di iniziare togliere la batteria dalla macchina.

Retire la batería antes de comenzar cualquier trabajo en la máquina.

Antes de efectuar cualquier intervención na máquina retirar o bloco acumulador.

Voor alle werkzaamheden aan de machine de akku verwijderen.

Ved arbejde inden i maskinen, bør batteriet tages ud.

Ta ut vekslebatteriet før du arbeider på maskinen

Drag ur batteripaket innan arbete utföres på maskinen.

Tarkista pistotulppa ja verkkojohto mahdollisilta vaurioilta. Viat saa korjata vain alan erikoismies.

Πριν από κάθε εργασία στη μηχανή αφαιρέστε την ανταλλακτική μπαταρία.

Aletin kendinde bir çalışma yapmadan önce kartuş aküyü çıkarın.

Před zahájením veškerých prací na vrtacím šroubovákú vyjmout výměnný akumulátor.

Pred každou prácou na stroji výměnný akumulátor vytiahnuť.

Przed przystąpieniem do jakichkolwiek prac na elektronarzędziu należy wyjąć wkładkę akumulatorową.

Karbantartás, javítás, tisztítás, stb. előtt az akkumulátort ki kell venni a készülékből.

Pred deli na stroju izvlécite izmenljivi akumulator.

Prije svih radova na stroju izvaditi bateriju za zamjenu.

Pirms mašīnai veikt jebkāda veida apkopes darbus, ir jāizņem ārā akumulators.

Prieš atlikdami bet kokius darbus įrenginyje, išimkite keičiamą akumuliatorių.

Enne kõiki töid masina kallal võtke vahetavat aku välja.

Виньте аккумулятор из машины перед проведением с ней каких-либо манипуляций.

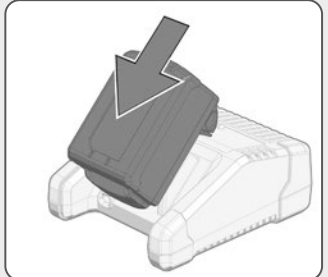
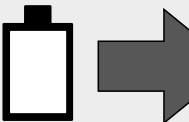
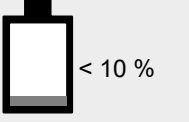
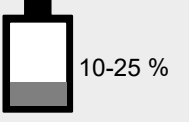
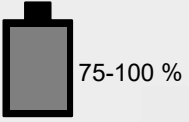
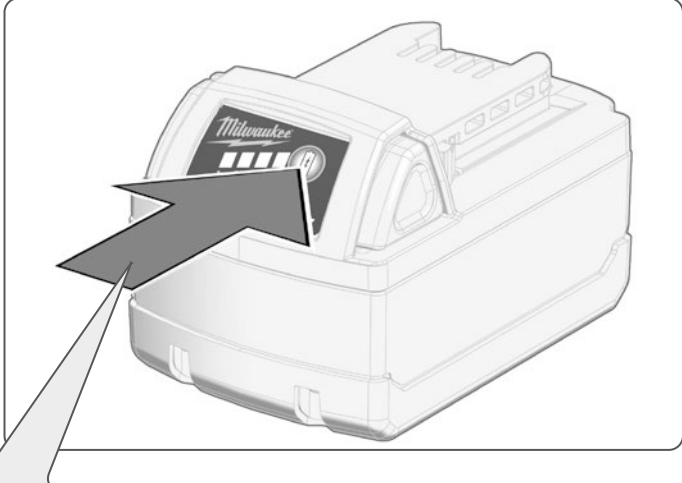
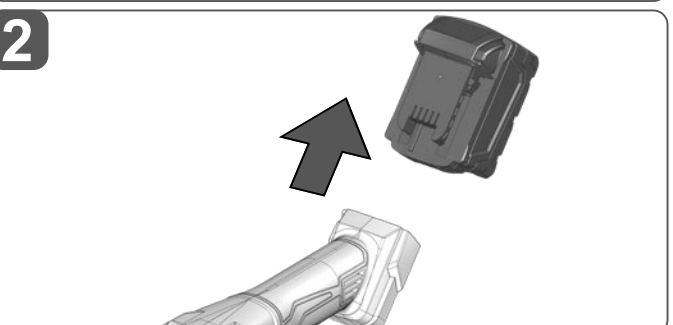
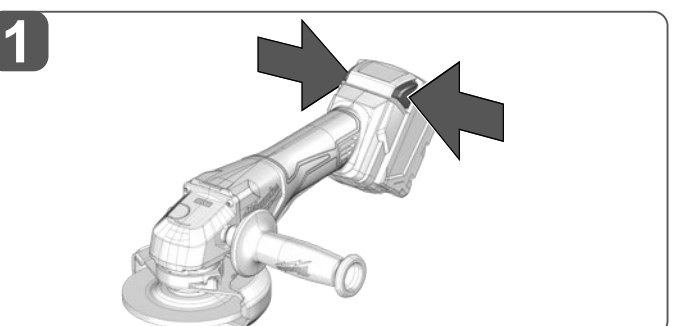
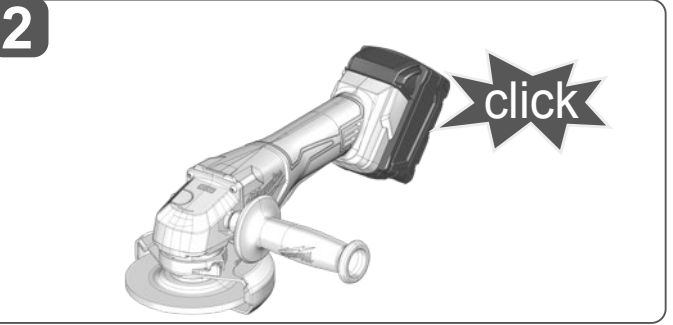
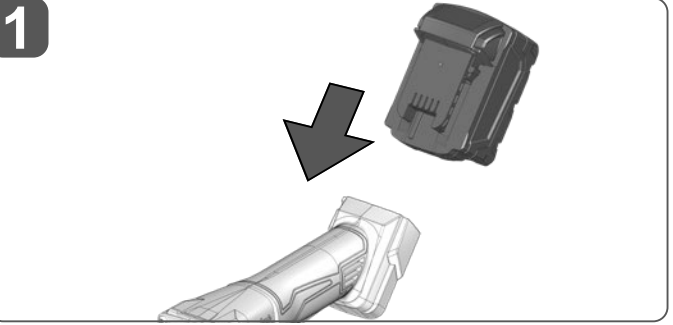
Преди започване на каквото е да е работи по машината извадете акумулатора.

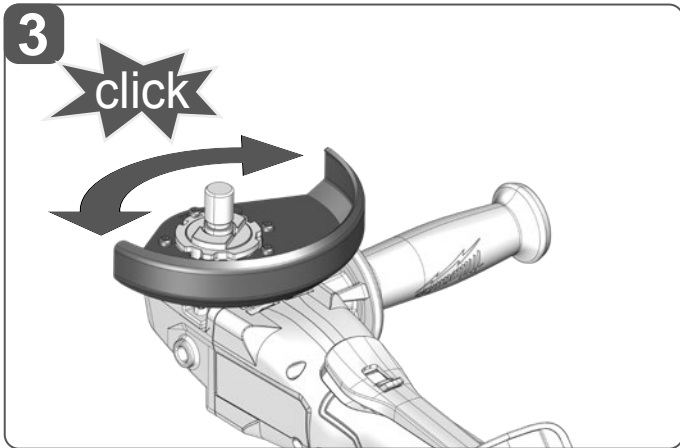
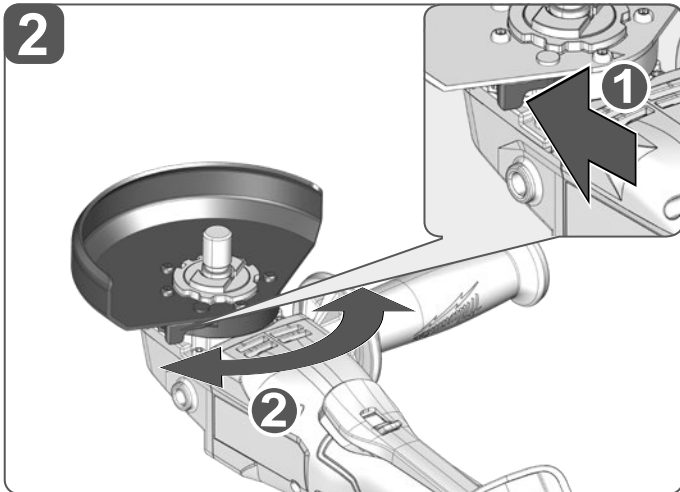
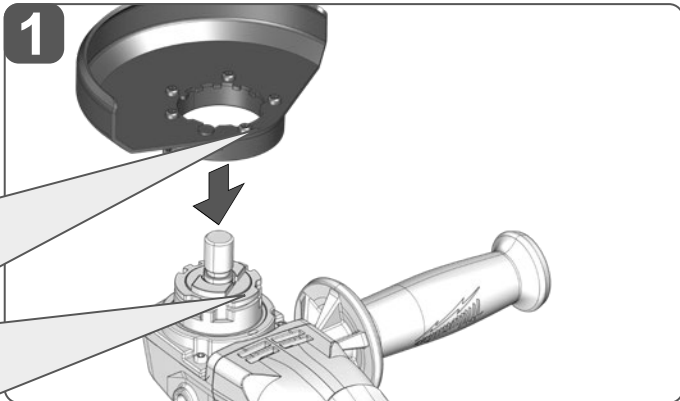
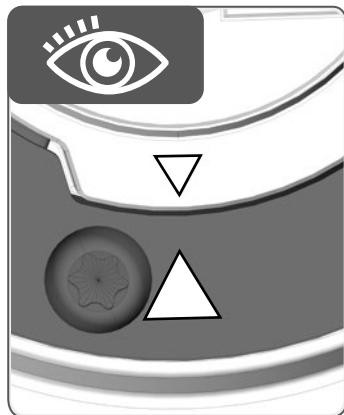
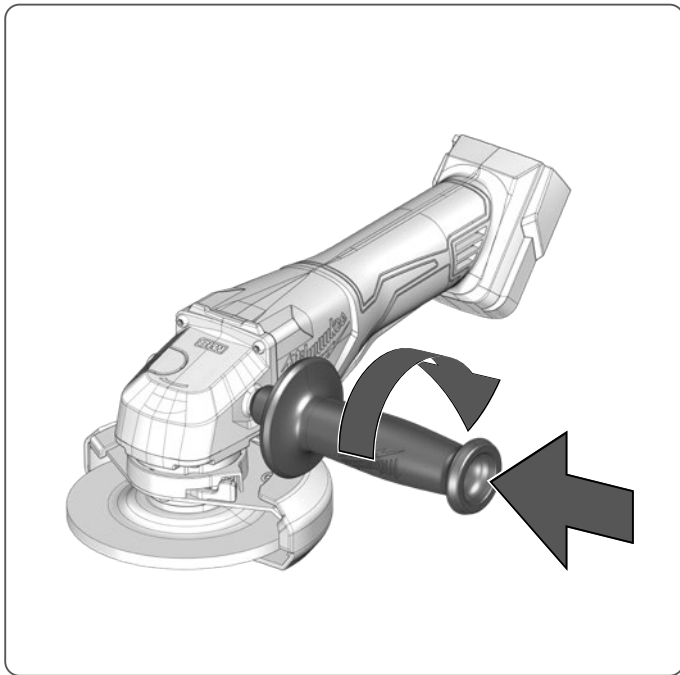
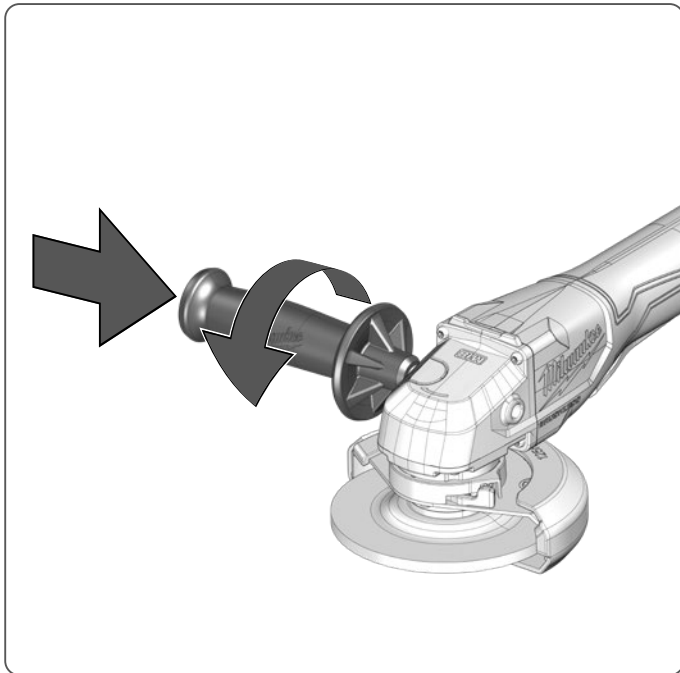
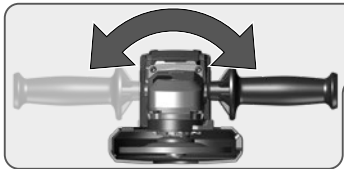
Scoateți acumulatorul înainte de a începe orice intervenție pe mașină.

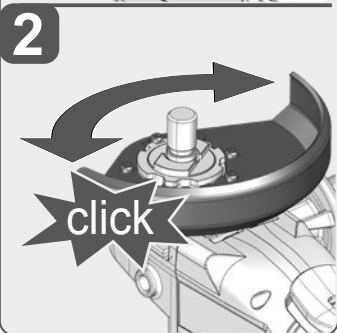
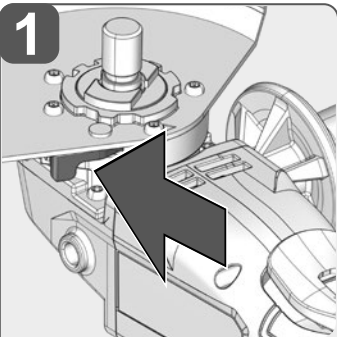
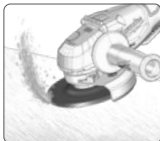
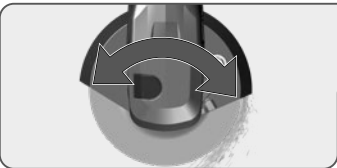
Отстранете ја батеријата пред да започнете да ја користите машината.

Перед будь-якими роботами на машині ви́йняти змінну акумуляторну батарею.

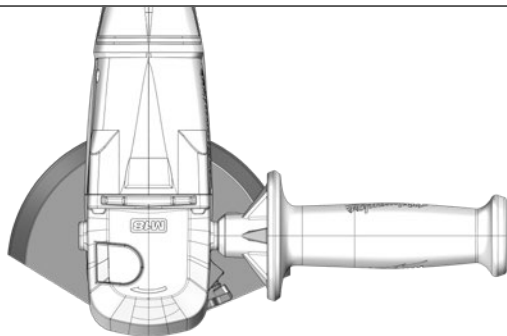
قم بتراسة حزمة البطارية قبل البدء في أي أعمال على الجهاز.



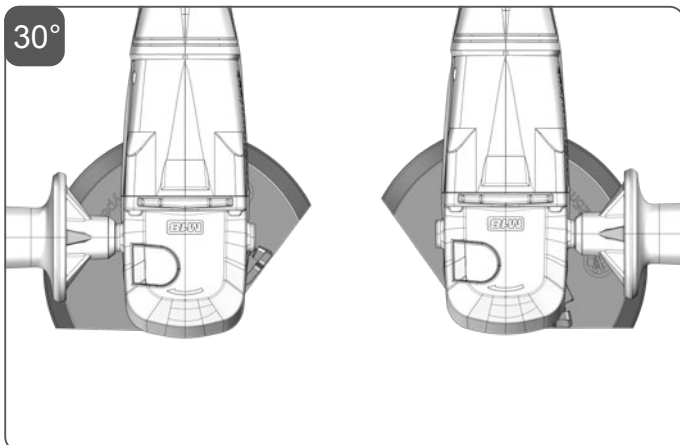




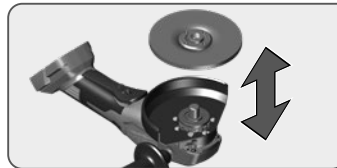
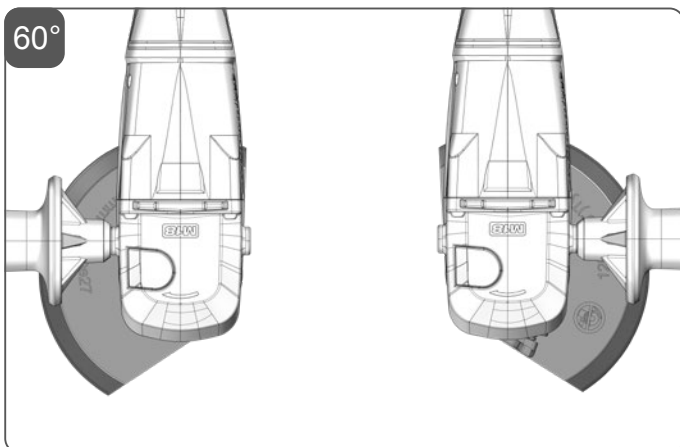
0°



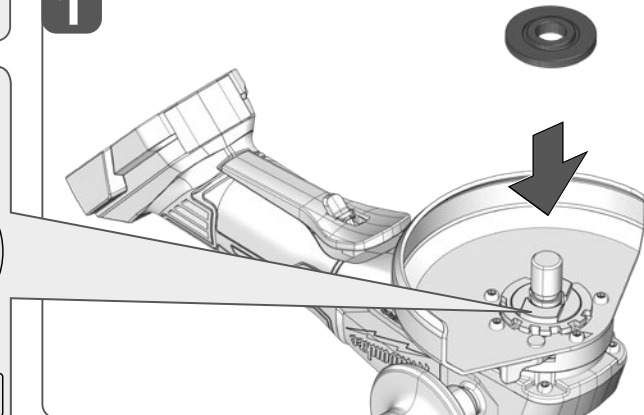
30°



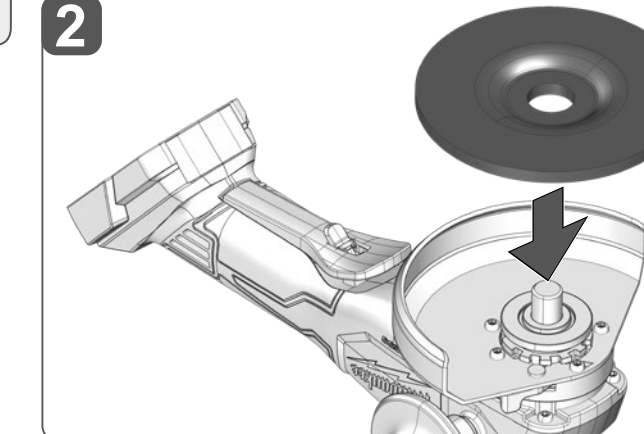
60°



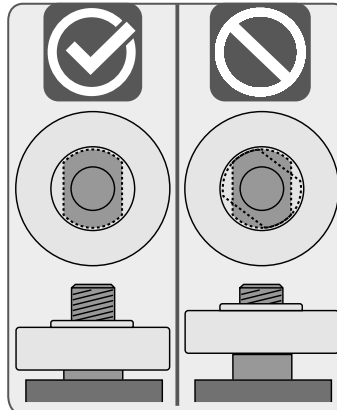
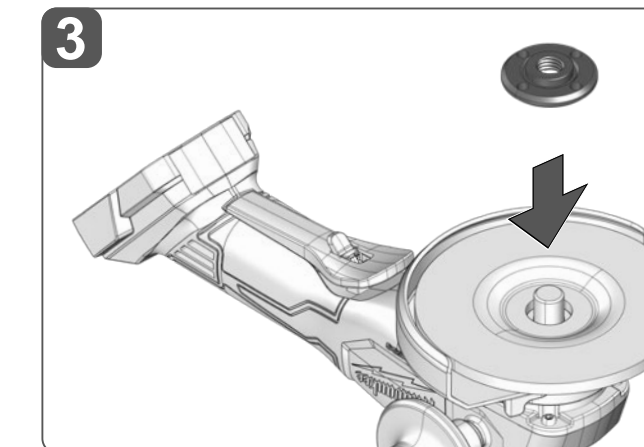
1

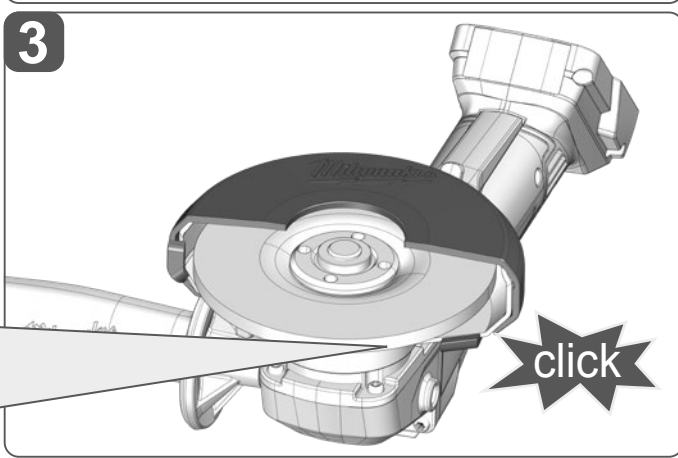
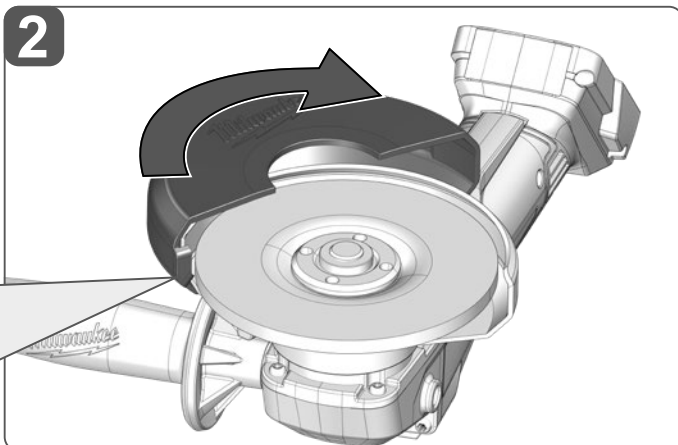
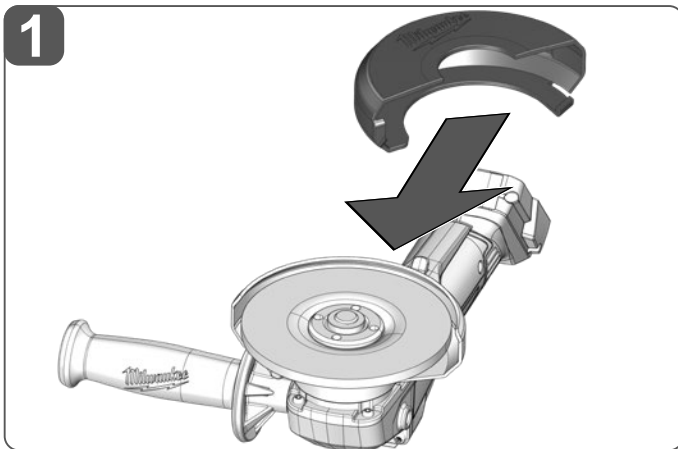
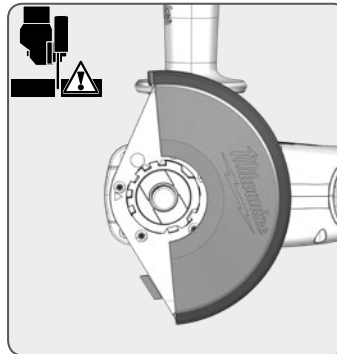
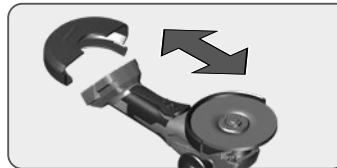
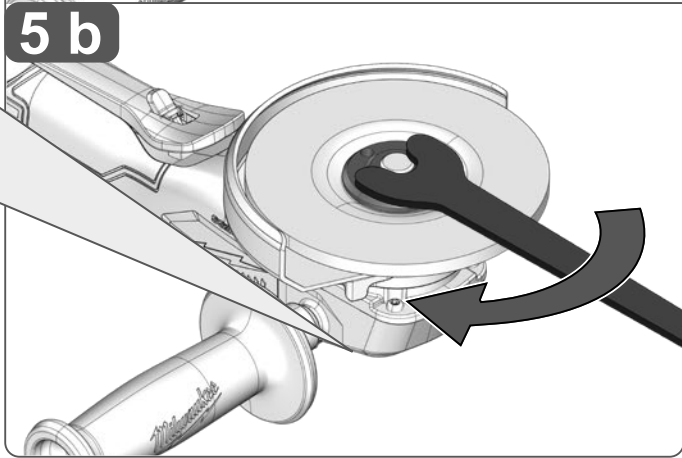
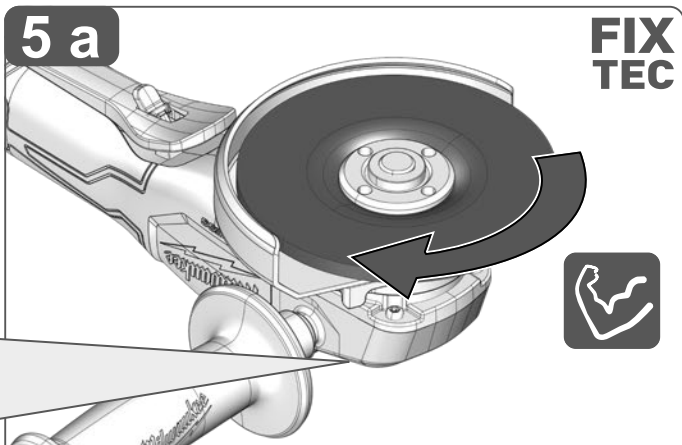
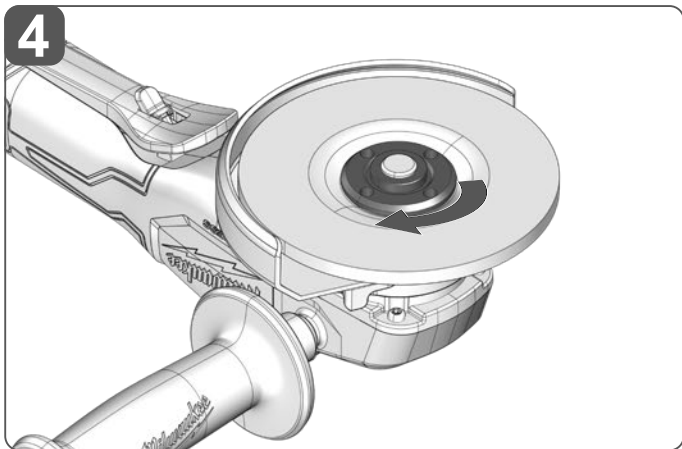
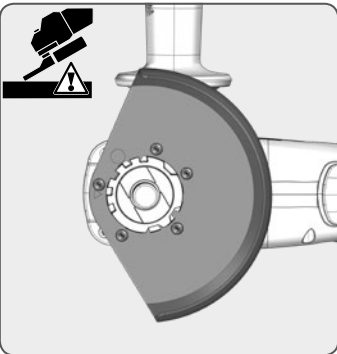
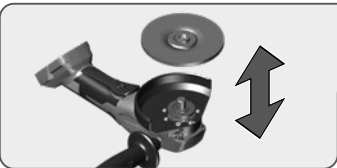


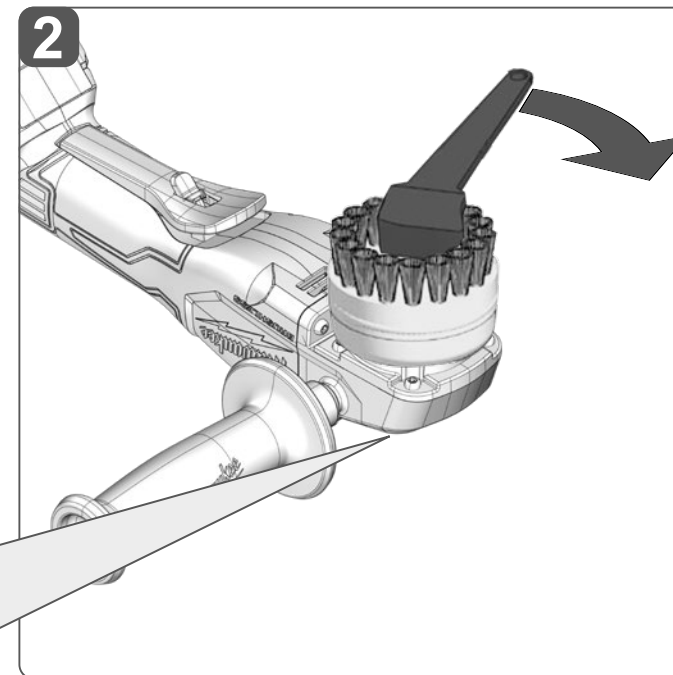
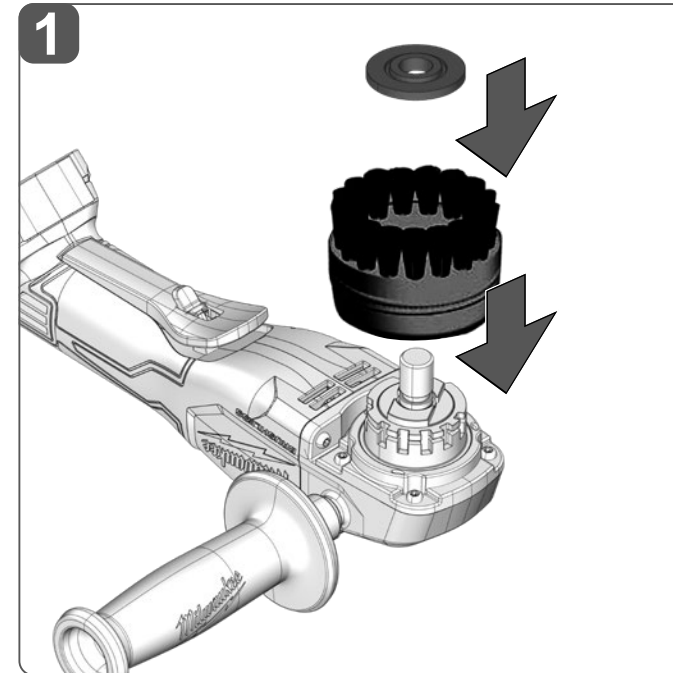
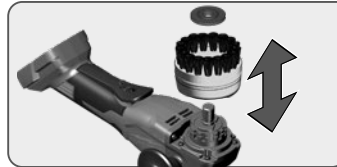
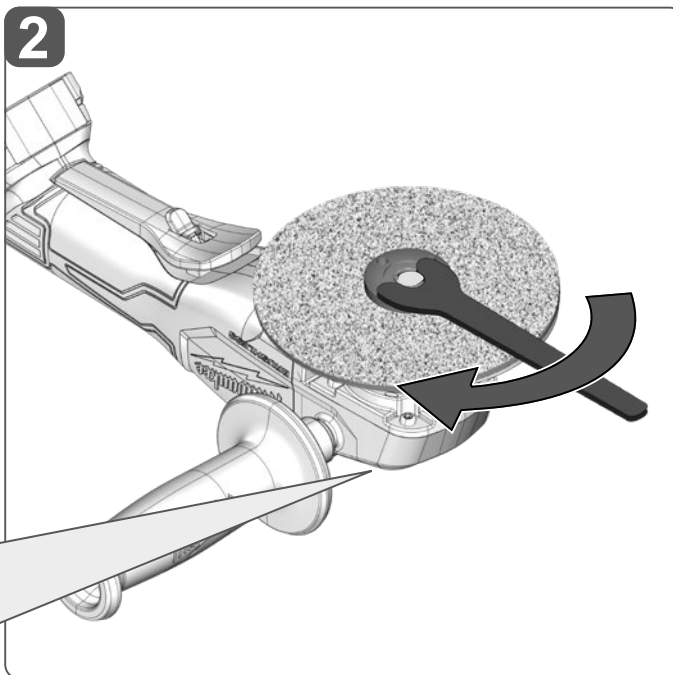
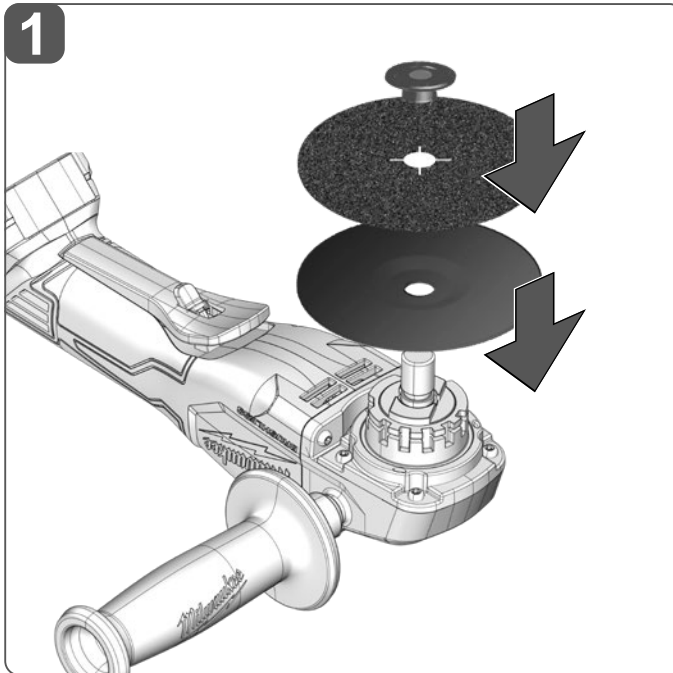
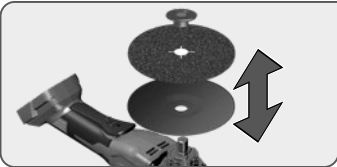
2

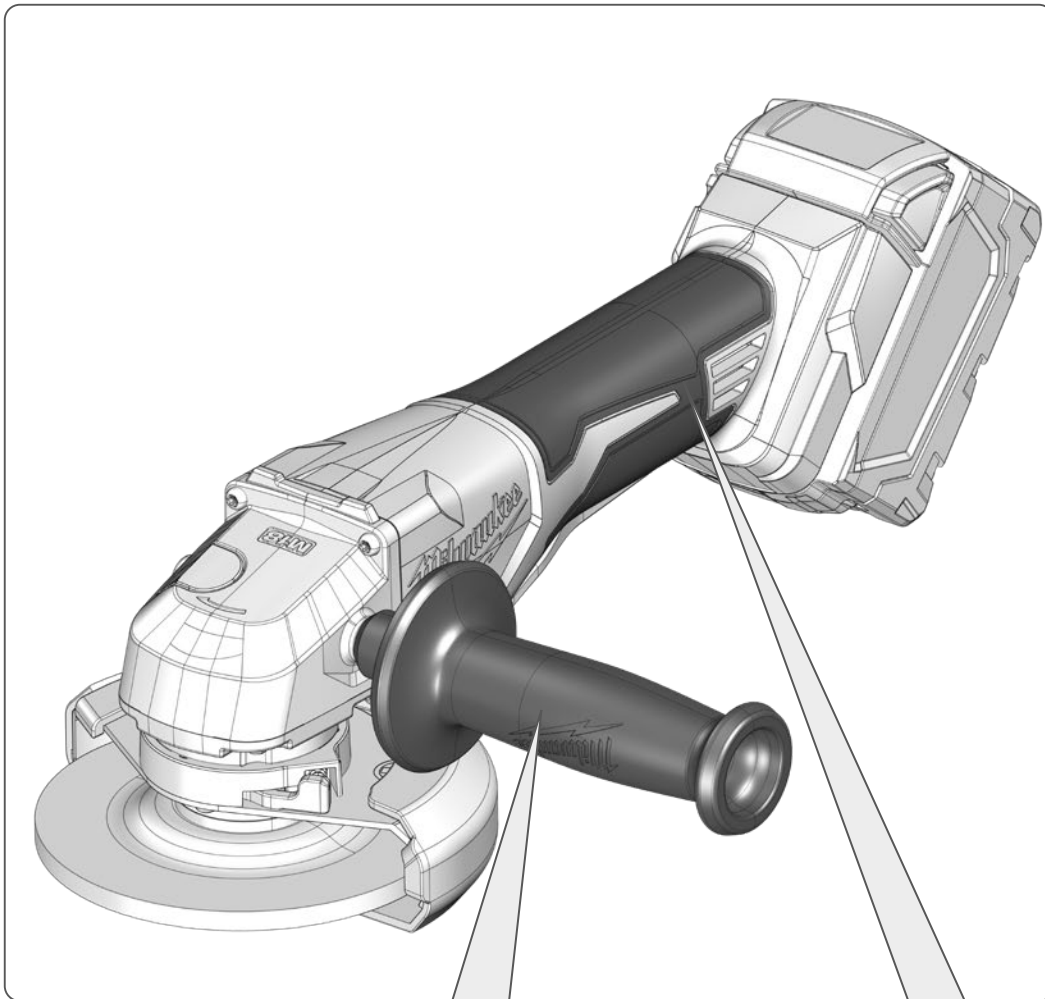


3









Insulated gripping surface

Isolierte Grifffläche

Surface de prise isolée

Superficie di presa isolata

Superficie de agarre con aislamiento

Geisoleerde handgrepen

Isolerede gribeflader

Isolert gripeflate

Isolerad greppyta

Eristetty tarttumapinta

Μονωμένη επιφάνεια λαβής

İzolasyonlu tutma yüzeyi

Izolovaná uchopovací plocha

Izolovaná úchopná plocha

Izolowana powierzchnia uchwytu

Szigetelt fogófelület

Izolirana prijemalna površina

Izolirana površina za držanje

Izolēta satveršanas virsma

Izoliuotas rankenos paviršius

Isoleeritud pideme piirkond

Изолированная поверхность ручки

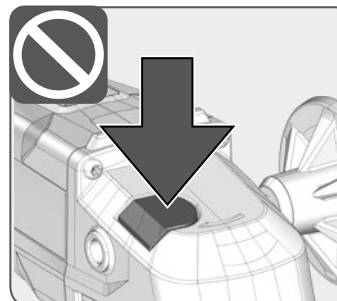
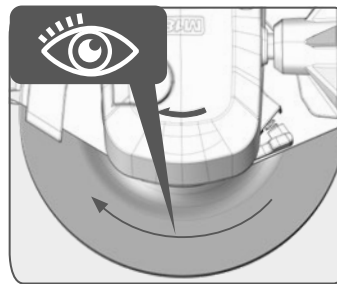
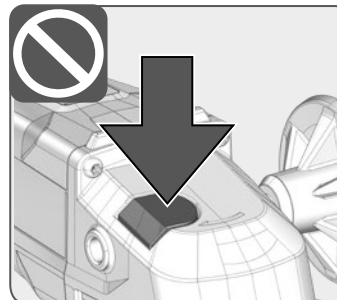
Изолирана повърхност за хващане

Suprafață de prindere izolată

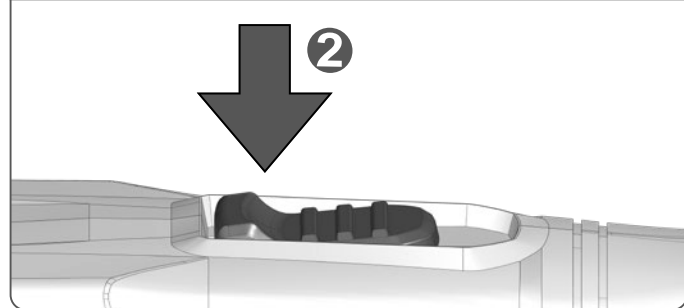
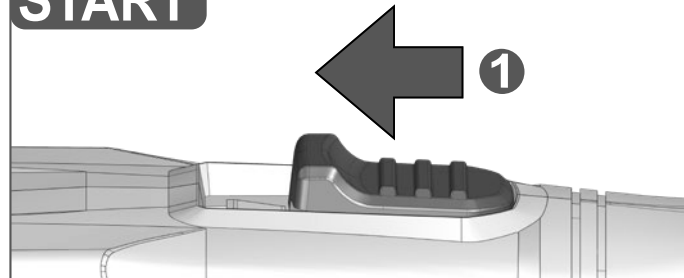
Изолирана површина на дршката

Изолювана поверхня ручки

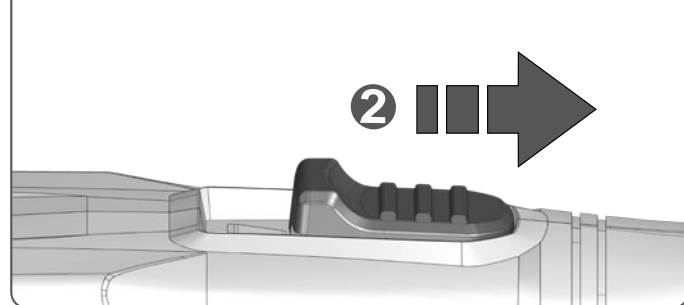
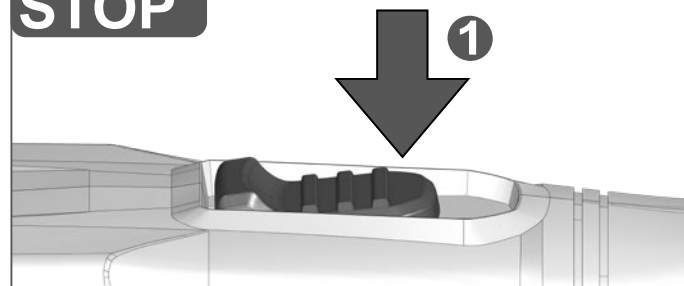
مساحة المقبض معزولة

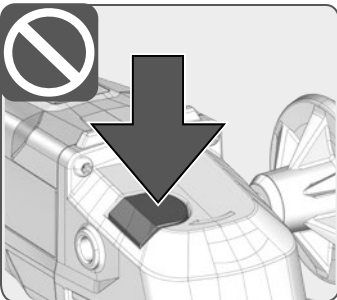
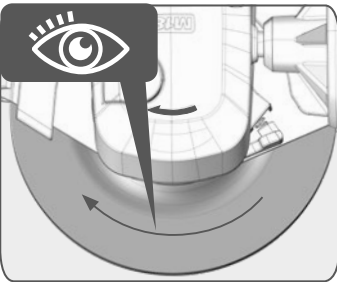
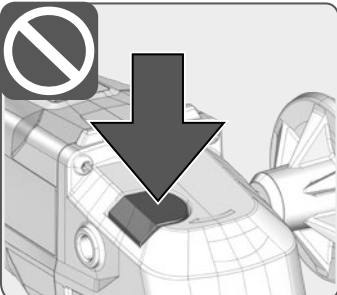
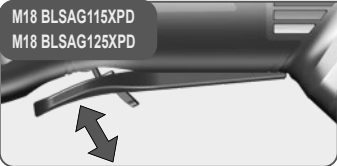


START

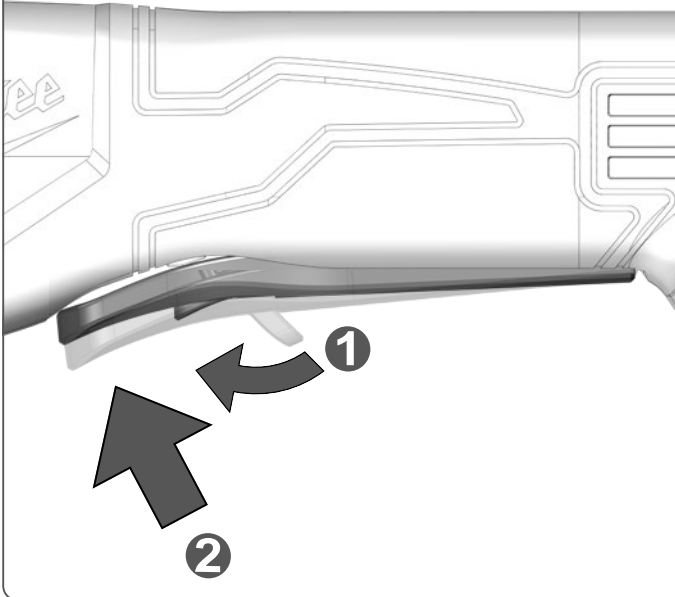


STOP

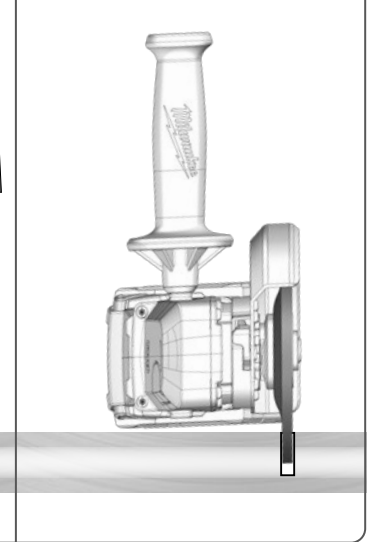
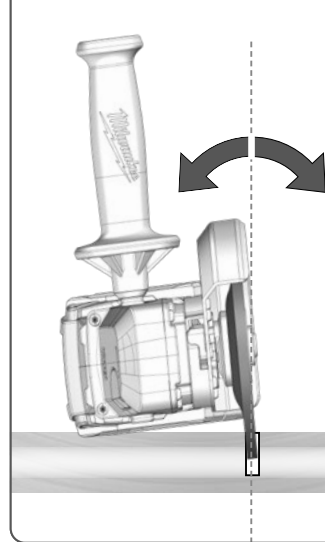
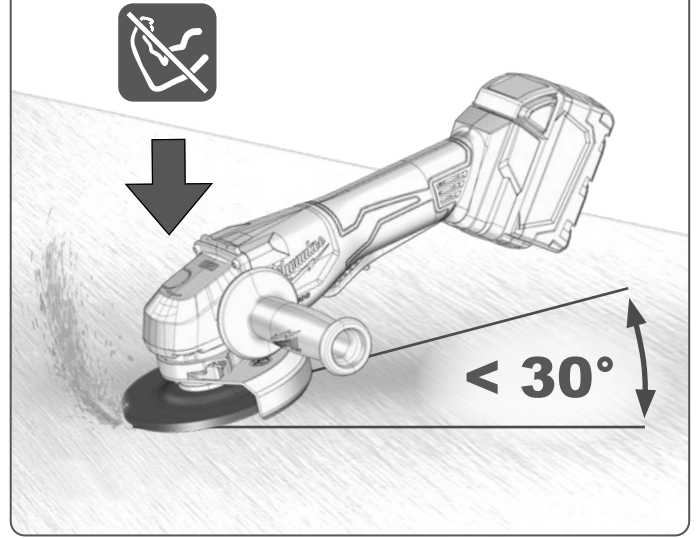
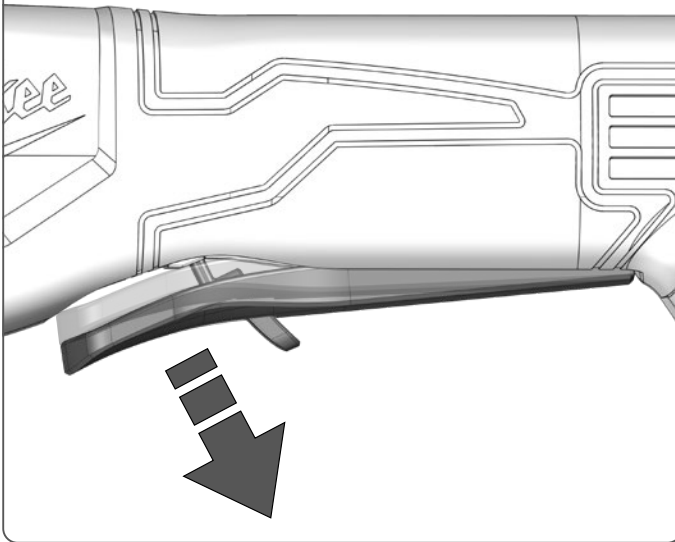


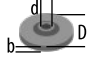


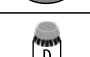


START



STOP



TECHNICAL DATA	M18 BLSAG125X	M18 BLSAG115XPD	M18 BLSAG125XPD
Type	Cordless Angle Grinder	Cordless Angle Grinder	Cordless Angle Grinder
Production code	4972 15 01 XXXXXX MJJJJ	4972 25 01 XXXXXX MJJJJ	4972 35 01 XXXXXX MJJJJ
Battery voltage	18 V	18 V	18 V
Rated speed	11000 min ⁻¹	11000 min ⁻¹	11000 min ⁻¹
Thread of work spindle	M14	M14	M14
D=Grinding disc diameter max.	125 mm	115 mm	125 mm
d=Grinding disc hole diameter	22,2 mm	22,2 mm	22,2 mm
 b=Grinding disc thickness max.	6 mm	6 mm	6 mm
 b=Cutting disc thickness max. / min.	3 mm / 1 mm	3 mm / 1 mm	3 mm / 1 mm
 D=Sanding disc diameter max.	125 mm	115 mm	125 mm
 D=Wiring brush diameter max.	75 mm	75 mm	75 mm
Weight according EPTA-Procedure 01/2014 (Li-Ion 2,0 Ah ... 12,0 Ah)	2,2 ... 3,3 kg	2,2 ... 3,3 kg	2,2 ... 3,3 kg
Recommended Ambient Operating Temperature	-18 ... +50 °C	-18 ... +50 °C	-18 ... +50 °C
Recommended battery types	M18B...; M18HB...	M18B...; M18HB...	M18B...; M18HB...
Recommended charger	M12-18...; M1418C6	M12-18...; M1418C6	M12-18...; M1418C6
Noise information: Measured values determined according to EN 62841. Typically, the A-weighted noise levels of the tool are:			
Sound pressure level / Uncertainty K	92,51 dB (A) / 3 dB (A)	92,51 dB (A) / 3 dB (A)	92,51 dB (A) / 3 dB (A)
Sound power level / Uncertainty K	100,51 dB (A) / 3 dB (A)	100,51 dB (A) / 3 dB (A)	100,51 dB (A) / 3 dB (A)
Wear ear protectors!			
Vibration information: Vibration total values (triaxial vector sum) determined according to EN 62841			
Vibration emission value a _v / Uncertainty K			
Surface grinding	6,30 m/s ² / 1,5 m/s ²	7,10 m/s ² / 1,5 m/s ²	7,10 m/s ² / 1,5 m/s ²
Disc sanding	1,97 m/s ² / 1,5 m/s ²	1,82 m/s ² / 1,5 m/s ²	1,82 m/s ² / 1,5 m/s ²
For other applications, e.g. Abrasive Cutting-Off Operations or Wire Brushing other vibration values could occur.			

⚠ WARNING!

The vibration and noise emission level given in this information sheet has been measured in accordance with a standardized test given in EN 62841 and may be used to compare one tool with another. It may be used for a preliminary assessment of exposure.

The declared vibration and noise emission level represents the main applications of the tool. However if the tool is used for different applications, with different accessories or poorly maintained, the vibration and noise emission may differ. This may significantly increase the exposure level over the total working period.

An estimation of the level of exposure to vibration and noise should also take into account the times when the tool is switched off or when it is running but not actually doing the job. This may significantly reduce the exposure level over the total working period.

Identify additional safety measures to protect the operator from the effects of vibration and/or noise such as: maintain the tool and the accessories, keep the hands warm, organization of work patterns.

⚠ WARNING! Read all safety warnings and all instructions. Failure to follow the warnings and instructions may result in electric shock, fire and/or serious injury.

Save all warnings and instructions for future reference.

ANGLE GRINDER SAFETY WARNINGS

Safety Warnings Common for Grinding, Sanding, Wire Brushing or Abrasive Cutting-Off Operations:

a) This power tool is intended to function as a grinder, sander, wire brush or cut-off tool. Read all safety warnings, instructions, illustrations and specifications provided with this power tool. Failure to follow all instructions listed below may result in electric shock, fire and/or serious injury.

b) Operations such as polishing are not recommended to be performed with this power tool. Operations for which the power tool was not designed may create a hazard and cause personal injury.

c) Do not convert this power tool to operate in a way which is not specifically designed and specified by the tool manufacturer. Such a conversion may result in a loss of control and cause serious personal injury.

d) Do not use accessories which are not specifically designed and recommended by the tool manufacturer. Just because the accessory can be attached to your power tool, it does not assure safe operation.

e) The rated speed of the accessory must be at least equal to the maximum speed marked on the power tool. Accessories running faster than their rated speed can break and fly apart.

f) The outside diameter and the thickness of your accessory must be within the capacity rating of your power tool. Incorrectly sized accessories cannot be adequately guarded or controlled.

g) The dimensions of the accessory mounting must fit the dimensions of the mounting hardware of the power tool. Accessories that do not match the mounting hardware of the power tool will run out of balance, vibrate excessively and may cause loss of control.

h) Do not use a damaged accessory. Before each use inspect the accessory such as abrasive wheels for chips and cracks, backing pad for cracks, tear or excess wear, wire brush for loose or cracked wires. If power tool or accessory is dropped, inspect for damage or install an undamaged accessory. After inspecting and installing an accessory, position yourself and bystanders away from the plane of the rotating accessory and run the power tool at maximum no-load speed for one minute. Damaged accessories will normally break apart during this test time.

i) Wear personal protective equipment. Depending on application, use face shield, safety goggles or safety glasses. As appropriate, wear dust mask, hearing protectors, gloves and workshop apron capable of stopping small abrasive or workpiece fragments. The eye protection must be capable of stopping flying debris generated by various applications. The dust mask or respirator must be capable of filtering particles generated by the particular application. Prolonged exposure to high intensity noise may cause hearing loss.

j) Keep bystanders a safe distance away from work area. Anyone entering the work area must wear personal protective equipment. Fragments of workpiece or of a broken accessory may fly away and cause injury beyond immediate area of operation.

k) Hold the power tool by insulated gripping surfaces only, when performing an operation where the cutting accessory may contact hidden wiring. Cutting accessory contacting a "live" wire may make exposed metal parts of the power tool "live" and could give the operator an electric shock.

l) Never lay the power tool down until the accessory has come to a complete stop. The spinning accessory may grab the surface and pull the power tool out of your control.

m) Do not run the power tool while carrying it at your side. Accidental contact with the spinning accessory could snag your clothing, pulling the accessory into your body.

n) Regularly clean the power tool's air vents. The motor's fan will draw the dust inside the housing and excessive accumulation of powdered metal may cause electrical hazards.

o) Do not operate the power tool near flammable materials. Sparks could ignite these materials.

p) Do not use accessories that require liquid coolants. Using water or other liquid coolants may result in electrocution or shock.

Kickback and related warnings:

Kickback is a sudden reaction to a pinched or snagged rotating wheel, backing pad, brush or any other accessory. Pinching or snagging causes rapid stalling of the rotating accessory which in turn causes the uncontrolled power tool to be forced in the direction opposite of the accessory's rotation at the point of the binding.

For example, if an abrasive wheel is snagged or pinched by the workpiece, the edge of the wheel that is entering into the pinch point can dig into the surface of the material causing the wheel to climb out or kick out. The wheel may either jump toward or away from the operator, depending on direction of the wheel's movement at the point of pinching. Abrasive wheels may also break under these conditions.

Kickback is the result of power tool misuse and/or incorrect operating procedures or conditions and can be avoided by taking proper precautions as given below.

a) Maintain a firm grip on the power tool and position your body and arm to allow you to resist kickback forces. Always use auxiliary handle, if provided, for maximum control over kickback or torque reaction during start-up. The operator can control torque reactions or kickback forces, if proper precautions are taken.

b) Never place your hand near the rotating accessory. Accessory may kickback over your hand.

c) Do not position your body in the area where power tool will move if kickback occurs. Kickback will propel the tool in direction opposite to the wheel's movement at the point of snagging.

d) Use special care when working corners, sharp edges etc. Avoid bouncing and snagging the accessory. Corners, sharp edges or bouncing have a tendency to snag the rotating accessory and cause loss of control or kickback.

e) Do not attach a saw chain woodcarving blade or toothed saw blade. Such blades create frequent kickback and loss of control.

Safety Warnings Specific for Grinding and Abrasive Cutting-Off Operations:

a) Use only wheel types that are specified for your power tool and the specific guard designed for the selected wheel. Wheels for which the power tool was not designed cannot be adequately guarded and are unsafe.

b) The grinding surface of the centre depressed wheels must be mounted below the plane of the guard lip. An improperly mounted wheel that projects through the plane of the guard lip cannot be adequately protected.

c) The guard must be securely attached to the power tool and positioned for maximum safety, so the least amount of wheel is exposed towards the operator. The guard helps to protect the operator from broken wheel fragments, accidental contact with wheel and sparks that could ignite clothing.

d) Wheels must be used only for specified applications. For example: do not grind with the side of cut-off wheel. Abrasive cut-off wheels are intended for peripheral grinding, side forces applied to these wheels may cause them to shatter.

e) Always use undamaged wheel flanges that are of correct size and shape for your selected wheel. Proper wheel flanges support the wheel thus reducing the possibility of wheel breakage. Flanges for cut-off wheels may be different from grinding wheel flanges.

f) Do not use worn down wheels from larger power tools. A wheel intended for larger power tool is not suitable for the higher speed of a smaller tool and may burst.

g) When using dual purpose wheels always use the correct guard for the application being performed. Failure to use the correct guard may not provide the desired level of guarding, which could lead to serious injury.

Additional safety warnings specific for abrasive cutting-off operations:

a) Do not "jam" the cut-off wheel or apply excessive pressure. Do not attempt to make an excessive depth of cut. Overstressing the wheel increases the loading and susceptibility to twisting or binding of the wheel in the cut and the possibility of kickback or wheel breakage.

b) Do not position your body in line with and behind the rotating wheel. When the wheel, at the point of operation, is moving away from your body, the possible kickback may propel the spinning wheel and the power tool directly at you.

c) When wheel is binding or when interrupting a cut for any reason, switch off the power tool and hold the power tool motionless until the wheel comes to a complete stop. Never attempt to remove the cut-off wheel from the cut while the wheel is in motion otherwise kickback may occur. Investigate and take corrective action to eliminate the cause of wheel binding.

d) Do not restart the cutting operation in the workpiece. Let the wheel reach full speed and carefully re-enter the cut. The wheel may bind, walk up or kickback if the power tool is restarted in the workpiece.

e) Support panels or any oversized workpiece to minimize the risk of wheel pinching and kickback. Large workpieces tend to sag under their own weight. Supports must be placed under the workpiece near the line of cut and near the edge of the workpiece on both sides of the wheel.

f) Use extra caution when making a “pocket cut” into existing walls or other blind areas. The protruding wheel may cut gas or water pipes, electrical wiring or objects that can cause kickback.

g) Do not attempt to do curved cutting. Overstressing the wheel increases the loading and susceptibility to twisting or binding of the wheel in the cut and the possibility of kickback or wheel breakage, which can lead to serious injury.

Safety warnings specific for sanding operations:

a) Use proper sized sanding disc paper. Follow manufacturer's recommendations, when selecting sanding paper. Larger sanding paper extending too far beyond the sanding pad presents a laceration hazard and may cause snagging, tearing of the disc or kickback.

Safety warnings specific for wire brushing operations:

a) Be aware that wire bristles are thrown by the brush even during ordinary operation. Do not overstress the wires by applying excessive load to the brush. The wire bristles can easily penetrate light clothing and/or skin.

b) If the use of a guard is specified for wire brushing, do not allow any interference of the wire wheel or brush with the guard. Wire wheel or brush may expand in diameter due to work load and centrifugal forces.

ADDITIONAL SAFETY AND WORKING INSTRUCTIONS

Always check if the spindle lock button is fully released before switching on the tool! After using the spindle lock to tighten / loosen the abrasive disc, it is possible that the button may stick in the lock position.

When grinding metal, flying sparks are produced. Take care that no persons are endangered. Because of the danger of fire, no combustible materials should be located in the vicinity (spark flight zone). Do not use dust extraction.

Avoid flying sparks and sanding dust hit your body.

Never reach into the danger area of the machine when it is running.

Chips and splinters must not be removed while the machine is running.

Immediately switch off the machine in case of considerable vibrations or if other malfunctions occur. Check the machine in order to find out the cause.

Under extreme conditions (e.g. smooth-grinding metals with the arbour and vulcanized fibre grinding wheel), significant contamination can build up on the inside of the die grinder.

Do not let any metal parts enter the airing slots - danger of short circuit!

WARNING! Danger of burns! The wheel and workpiece will become hot during use. Wear gloves when changing discs or touching workpiece. Keep hands away from the grinding area at all times.

WARNING! To reduce the risk of fire, personal injury, and product damage due to a short circuit, never immerse your tool, battery pack or charger in fluid or allow a fluid to flow inside them. Corrosive or conductive fluids, such as seawater, certain industrial chemicals, and bleach or bleach containing products, etc., Can cause a short circuit.

Never break open battery packs and chargers and store only in dry rooms. Keep dry at all times.

Use only System M18 chargers for charging System M18 battery packs. Do not use battery packs from other systems.

SPECIFIED CONDITIONS OF USE

The angle grinder is intended for grinding and cutting metal, stone, concrete and ceramic materials as well as sanding and wire brushing.

Use the cutting guard from the accessories range for cutting application.

Please refer to the instructions supplied by the accessory manufacturer.

The machine is suitable only for working without water.

Only appropriate grinding or cutting discs and related guards (grinding guard or cutting guard) as described in the product specification section of this manual should be fitted to the angle grinder. The angle grinder is designed for handheld use; it is not to be mounted onto a fixture or workbench.

Do not use the product in any way other than those stated for intended use.

RESIDUAL RISK

Even when the product is used as prescribed, it is still impossible to completely eliminate certain residual risk factors. The following hazards may arise in use and the operator should pay special attention to avoid the following:

- Injury caused by vibration. Hold the product by designated handles and restrict working time and exposure.
- Exposure to noise can cause hearing injury. Wear ear protection and limit exposure.
- Injury due to flying debris. Wear eye protection, heavy long trousers, gloves and substantial footwear at all times.
- Inhalation of toxic dusts.

NOTES FOR LI-ION BATTERIES

Use of Li-Ion batteries

Battery packs which have not been used for some time should be recharged before use.

Temperatures in excess of 50°C (122°F) reduce the performance of the battery pack. Avoid extended exposure to heat or sunshine (risk of overheating).

The contacts of chargers and battery packs must be kept clean.

For an optimum life-time, the battery packs have to be fully charged, after use.

To obtain the longest possible battery life remove the battery pack from the charger once it is fully charged.

For battery pack storage longer than 30 days:

Store the battery pack where the temperature is below 27°C and away from moisture.

Store the battery packs in a 30% - 50% charged condition.

Every six months of storage, charge the pack as normal.

Battery protection for Li-Ion batteries

In extremely high torque, binding, stalling and short circuit situations that cause high current draw, the tool will vibrate for about 5 seconds, the fuel gauge will flash, and then the tool will turn OFF.

To reset, release the trigger. Under extreme circumstances, the internal temperature of the battery pack could raise too much. If this happens, the fuel gauge will flash until the battery pack cooled down. After the lights go off, the work may continue.

Transporting Lithium Batteries

Lithium-ion batteries are subject to the Dangerous Goods Legislation requirements.

Transportation of those batteries has to be done in accordance with local, national and international provisions and regulations.

The user can transport the batteries by road without further requirements.

Commercial transport of Lithium-Ion batteries by third parties is subject to Dangerous Goods regulations. Transport preparation and transport are exclusively to be carried out by appropriately trained persons and the process has to be accompanied by corresponding experts.

When transporting batteries:

Ensure that battery contact terminals are protected and insulated to prevent short circuit.

Ensure that battery pack is secured against movement within packaging. Do not transport batteries that are cracked or leak. Check with forwarding company for further advice.

WORKING INSTRUCTIONS

For accessories intended to be fitted with threaded hole wheel, ensure that the thread in the wheel is long enough to accept the spindle length.

Always use and store the cutting and grinding wheels according to the manufacturer's instructions.

Always use the correct guard for cutting and grinding.

The grinding surface of the centre depressed wheels must be mounted min. 2 mm below the plane of the guard lip.

The adjusting nut must be tightened before starting to work with the machine.

Always use the auxiliary handle.

The workpiece must be fixed if it is not heavy enough to be steady. Never move the workpiece towards the rotating wheel by hand.

The flange nut must be securely tightened before the machine is started. If the tool is not securely tightened with the flange nut, it is possible that the tool will lose the required clamping force when it is decelerated.

OVERLOAD AND KICKBACK PROTECTION

The power tool has an overload and kickback safety function and stops if it is overloaded. Switch off the power tool and then switch the power tool back on again in order to continue to work.

SOFT START

Electronic soft start for save use prevents jerky run-up of the machine.

BRAKING SYSTEM

The run-on brake engages when the trigger is released, causing the tool to stop within seconds.

Make sure that the insertion tool comes to a complete stop before laying it down.

In comparison with tools without a run-on brake the run-on time will be highly reduced by braking.

CLEANING

The ventilation slots of the machine must be kept clear at all times.

MAINTENANCE

Use only Milwaukee accessories and Milwaukee spare parts. Should components need to be replaced which have not been described, please contact one of our Milwaukee service agents (see our list of guarantee/service addresses).

If needed, an exploded view of the tool can be ordered. Please state the Article No. as well as the machine type printed on the label and order the drawing at your local service agents or directly at: Techtronic Industries GmbH, Max-Eyth-Straße 10, 71364 Winnenden, Germany.

SYMBOLS



Please read the instructions carefully before starting the machine.



CAUTION! WARNING! DANGER!



Remove the battery pack before starting any work on the appliance.



Do not use the guard for cut-off operations.



Do not use force.



Use force.



Always wear goggles when using the machine.



Wear ear protectors.



Wear a suitable dust protection mask.



Wear gloves!



Always operate with two hands.



Only for grinding.



Only for cutting work.



Pay attention to permissible disc thickness.



Accessory - Not included in standard equipment, available as an accessory.



Rotation direction



Do not dispose of waste batteries, waste electrical and electronic equipment as unsorted municipal waste. Waste batteries and waste electrical and electronic equipment must be collected separately. Waste batteries, waste accumulators and light sources have to be removed from equipment. Check with your local authority or retailer for recycling advice and collection point. According to local regulations retailers may have an obligation to take back waste batteries and Waste electrical and electronic equipment free of charge. Your contribution to re-use and recycling of waste batteries and waste electrical and electronic equipment helps to reduce the demand of raw materials. Waste batteries, in particular containing lithium and waste Electrical and electronic equipment contain valuable, recyclable materials, which can adversely impact the environment and the human health, if not disposed of in an environmentally compatible manner. Delete personal data from waste equipment, if any.

n	Rated speed
V	Voltage
	Direct Current
	European Conformity Mark
	British Conformity Mark
	Ukraine Conformity Mark
	EurAsian Conformity Mark

TECHNISCHE DATEN	M18 BLSAG125X	M18 BLSAG115XPD	M18 BLSAG125XPD
Bauart	Akku-Winkelschleifer	Akku-Winkelschleifer	Akku-Winkelschleifer
Produktionsnummer	4972 15 01 XXXXXX MJJJJ	4972 25 01 XXXXXX MJJJJ	4972 35 01 XXXXXX MJJJJ
Spannung Wechselakku	18 V	18 V	18 V
Nenn Drehzahl	11000 min ⁻¹	11000 min ⁻¹	11000 min ⁻¹
Spindelgewinde	M14	M14	M14
D=Schleifscheibendurchmesser max.	125 mm	115 mm	125 mm
d=Bohrungsdurchmesser	22,2 mm	22,2 mm	22,2 mm
b=Schleifscheibendicke max.	6 mm	6 mm	6 mm
b=Trennscheibendicke max. / min.	3 mm / 1 mm	3 mm / 1 mm	3 mm / 1 mm
D=Schleifteller/-Blatt Durchmesser max.	125 mm	115 mm	125 mm
D=Topfbürstendurchmesser max.	75 mm	75 mm	75 mm
Gewicht nach EPTA-Prozedur 01/2014 (Li-Ion 2,0 Ah ... 12,0 Ah)	2,2 ... 3,3 kg	2,2 ... 3,3 kg	2,2 ... 3,3 kg
Empfohlene Umgebungstemperatur für den Betrieb	-18 ... +50 °C	-18 ... +50 °C	-18 ... +50 °C
Empfohlene Akku Typen	M18B...; M18HB...	M18B...; M18HB...	M18B...; M18HB...
Empfohlene Ladegeräte	M12-18...; M1418C6	M12-18...; M1418C6	M12-18...; M1418C6

Geräuschinformation: Messwerte ermittelt entsprechend EN 62841.
Der A-bewertete Geräuschpegel des Gerätes beträgt typischerweise:
Schalldruckpegel / Unsicherheit K 92,51 dB (A) / 3 dB (A) 92,51 dB (A) / 3 dB (A) 92,51 dB (A) / 3 dB (A)
Schalleistungspegel / Unsicherheit K 100,51 dB (A) / 3 dB (A) 100,51 dB (A) / 3 dB (A) 100,51 dB (A) / 3 dB (A)

Gehörschutz tragen!
Vibrationsinformationen: Schwingungsgesamtwerte (Vektorsumme dreier Richtungen) ermittelt entsprechend EN 62841.
Schwingungsemissionswert a_n / Unsicherheit K
Oberflächenschleifen 6,30 m/s² / 1,5 m/s² 7,10 m/s² / 1,5 m/s² 7,10 m/s² / 1,5 m/s²
Schleifen mit Schleifblatt 1,97 m/s² / 1,5 m/s² 1,82 m/s² / 1,5 m/s² 1,82 m/s² / 1,5 m/s²

Bei anderen Anwendungen, wie z.B. Trennschleifen oder Schleifen mit der Stahldrahtbürste können sich andere Vibrationswerte ergeben!

WARNUNG!

Die angegebenen Schwingungsgesamtwerte und Geräuschemissionswerte wurden nach einem genormten Messverfahren gemäß EN 62841 gemessen und können für den Vergleich von Elektrowerkzeugen miteinander verwendet werden. Sie können für eine vorläufige Einschätzung der Belastung verwendet werden.

Der angegebene Schwingungs- und Geräuschemissionspegel repräsentiert die hauptsächlichsten Anwendungen des Elektrowerkzeugs. Wenn allerdings das Elektrowerkzeug für andere Anwendungen, mit abweichenden Einsatzwerkzeugen oder ungenügender Wartung eingesetzt wird, können sich die Schwingungs- und Geräuschemissionen unterscheiden. Dies kann deren Wirkung über den gesamten Arbeitszeitraum deutlich erhöhen.

Bei der Abschätzung der Belastung durch Schwingungen und Lärm sollten auch die Zeiten berücksichtigt werden, in denen das Elektrowerkzeug ausgeschaltet ist oder zwar läuft, aber keine tatsächliche Arbeit verrichtet wird. Dies kann deren Wirkung über den gesamten Arbeitszeitraum deutlich reduzieren.

Legen Sie zusätzliche Sicherheitsmaßnahmen zum Schutz des Bedieners vor den Auswirkungen von Schwingungen- und / oder Lärm fest, wie z. B.: Wartung des Werkzeugs und des Zubehörs, Warmhalten der Hände, Organisation der Arbeitsabläufe.

WARNUNG! Lesen Sie alle Sicherheitshinweise und Anweisungen. Versäumnisse bei der Einhaltung der Sicherheitshinweise und Anweisungen können elektrischen Schlag, Brand und/oder schwere Verletzungen verursachen.
Bewahren Sie alle Sicherheitshinweise und Anweisungen für die Zukunft auf.

SICHERHEITSHINWEISE FÜR WINKELSCHLEIFER

Gemeinsame Sicherheitshinweise zum Schleifen, Sandpapiersschleifen, Arbeiten mit Drahtbürsten und Trennschleifen:

a) Dieses Elektrowerkzeug ist zu verwenden als Schleifer, Sandpapiersschleifer, Drahtbürste und Trennschleifmaschine. Beachten Sie alle Sicherheitshinweise, Anweisungen, Darstellungen und Daten, die Sie mit dem Gerät erhalten. Wenn Sie die folgenden Anweisungen nicht beachten, kann es zu elektrischem Schlag, Feuer und/oder schweren Verletzungen kommen.

b) Dieses Elektrowerkzeug ist nicht geeignet zum Polieren. Verwendungen, für die das Elektrowerkzeug nicht vorgesehen ist, können Gefährdungen und Verletzungen verursachen.

c) Bauen Sie es nicht für einen Betrieb um, für den es vom Hersteller nicht speziell entwickelt und spezifiziert wurde. Ein solcher Umbau kann zu einem Kontrollverlust führen und schwere Verletzungen verursachen.

d) Verwenden Sie kein Zubehör, das vom Hersteller nicht speziell für dieses Elektrowerkzeug vorgesehen und empfohlen wurde. Nur weil Sie das Zubehör an Ihrem Elektrowerkzeug befestigen können, garantiert das keine sichere Verwendung.

e) Die zulässige Drehzahl des Einsatzwerkzeugs muss mindestens so hoch sein wie die auf dem Elektrowerkzeug angegebene Höchstzahl. Zubehör, das sich schneller als zulässig dreht, kann zerbrechen und umherfliegen.

f) Außendurchmesser und Dicke des Einsatzwerkzeugs müssen den Maßangaben Ihres Elektrowerkzeugs entsprechen. Ifalsch bemessene Einsatzwerkzeuge können nicht ausreichend abgeschirmt oder kontrolliert werden.

g) Die Abmessungen der Zubehörfestigung müssen mit denen der Montageteile des Elektrowerkzeugs übereinstimmen. Einsatzwerkzeuge, die nicht genau am Einsatzwerkzeug befestigt werden, drehen sich ungleichmäßig, vibrieren sehr stark und können zum Verlust der Kontrolle führen.

h) Verwenden Sie keine beschädigten Einsatzwerkzeuge. Kontrollieren Sie vor jeder Verwendung Einsatzwerkzeuge wie Schleifscheiben auf Absplitterungen und Risse, Schleifteller auf Risse, Verschleiß oder starke Abnutzung, Drahtbürsten auf lose oder gebrochene Drähte. Wenn das Elektrowerkzeug oder das Einsatzwerkzeug herunterfällt, überprüfen Sie, ob es beschädigt ist, oder verwenden Sie ein unbeschädigtes Einsatzwerkzeug. Wenn Sie das Einsatzwerkzeug kontrolliert und eingesetzt haben, halten Sie und in der Nähe befindliche Personen sich außerhalb der Ebene des rotierenden Einsatzwerkzeugs auf und lassen Sie das Elektrowerkzeug eine Minute lang mit Höchstzahl laufen. Beschädigte Einsatzwerkzeuge brechen meist in dieser Testzeit.

i) Tragen Sie persönliche Schutzausrüstung. Verwenden Sie je nach Anwendung Vollgesichtsschutz, Augenschutz oder Schutzbrille. Soweit angemessen, tragen Sie Staubmaske, Gehörschutz, Schutzhandschuhe oder Spezialschürze, die kleine Schleif- und Materialpartikel von Ihnen fernhält. Der verwendete Augenschutz muss in der Lage sein, durch verschiedene Anwendungen verursachte fliegende Kleinteile abzuwehren. Die Staub- oder Atemschutzmaske muss durch die jeweilige Anwendung erzeugte Partikel filtern können. Eine langfristige Lärmbelastung kann zu Gehörschäden führen.

j) Achten Sie bei anderen Personen auf sicheren Abstand zu Ihrem Arbeitsbereich. Jeder, der den Arbeitsbereich betritt, muss persönliche Schutzausrüstung tragen. Bruchstücke des Werkstücks oder gebrochener Einsatzwerkzeuge können wegfliegen und Verletzungen auch außerhalb des direkten Arbeitsbereichs verursachen.

k) Halten Sie das Elektrowerkzeug nur an den isolierten Griffflächen, wenn Sie Arbeiten ausführen, bei denen das Einsatzwerkzeug verborgene Stromleitungen treffen kann. Der Kontakt mit einer spannungsführenden Leitung kann auch metallene Geräteeile unter Spannung setzen und zu einem elektrischen Schlag führen.

l) Legen Sie das Elektrowerkzeug niemals ab, bevor das Einsatzwerkzeug völlig zum Stillstand gekommen ist. Das sich drehende Einsatzwerkzeug kann in Kontakt mit der Ablagefläche geraten, wodurch Sie die Kontrolle über das Elektrowerkzeug verlieren können.

m) Lassen Sie das Elektrowerkzeug nicht laufen, während Sie es tragen. Ihre Kleidung kann durch zufälligen Kontakt mit dem sich drehenden Einsatzwerkzeug erfasst werden und das Einsatzwerkzeug sich in Ihren Körper bohren.

n) Reinigen Sie regelmäßig die Lüftungsschlitze Ihres Elektrowerkzeugs. Das Motorgebläse zieht Staub in das Gehäuse, und eine starke Ansammlung von Metallstaub kann elektrische Gefahren verursachen.

o) Verwenden Sie das Elektrowerkzeug nicht in der Nähe brennbarer Materialien. Funken können diese Materialien entzünden.

p) Verwenden Sie keine Einsatzwerkzeuge, die flüssige Kühlmittel erfordern. Die Verwendung von Wasser oder anderen flüssigen Kühlmitteln kann zu einem elektrischen Schlag führen.

Rückschlag und damit verbundene Warnungen:

Rückschlag ist die plötzliche Reaktion infolge eines hakenden oder blockierten drehenden Einsatzwerkzeugs, wie Schleifscheibe, Schleifteller, Drahtbürste usw. Verhaken oder Blockieren führt zu einem abrupten Stopp des rotierenden Einsatzwerkzeugs. Dadurch wird ein unkontrolliertes Elektrowerkzeug gegen die Drehrichtung des Einsatzwerkzeugs an der Blockierstelle beschleunigt.

Wenn z. B. eine Schleifscheibe im Werkstück hakt oder blockiert, kann sich die Kante der Schleifscheibe, die in das Werkstück eintaucht, verfangen und dadurch die Schleifscheibe ausbrechen oder einen Rückschlag verursachen. Die Schleifscheibe bewegt sich dann auf die Bedienperson zu oder von ihr weg, je nach Drehrichtung der Scheibe an der Blockierstelle. Hierbei können Schleifscheiben auch brechen.

Ein Rückschlag ist die Folge eines falschen oder fehlerhaften Gebrauchs des Elektrowerkzeugs. Er kann durch geeignete Vorsichtsmaßnahmen, wie nachfolgend beschrieben, verhindert werden.

a) Halten Sie das Elektrowerkzeug gut fest und bringen Sie Ihren Körper und Ihre Arme in eine Position, in der Sie die Rückschlagkräfte abfangen können. Verwenden Sie immer den Zusatzgriff, falls vorhanden, um die größtmögliche Kontrolle über Rückschlagkräfte oder Reaktionsmomente beim Hochlauf zu haben. Die Bedienperson kann durch geeignete Vorsichtsmaßnahmen die Rückschlag- und Reaktionskräfte beherrschen.

b) Bringen Sie Ihre Hand nie in die Nähe sich drehender Einsatzwerkzeuge. Das Einsatzwerkzeug kann sich beim Rückschlag über Ihre Hand bewegen.

c) Meiden Sie mit Ihrem Körper den Bereich, in den das Elektrowerkzeug bei einem Rückschlag bewegt wird. Der Rückschlag treibt das Elektrowerkzeug in die Richtung entgegengesetzt zur Bewegung der Schleifscheibe an der Blockierstelle.

d) Arbeiten Sie besonders vorsichtig im Bereich von Ecken, scharfen Kanten usw. Verhindern Sie, dass Einsatzwerkzeuge vom Werkstück zurückprallen und verklebten. Das rotierende Einsatzwerkzeug neigt bei Ecken, scharfen Kanten oder wenn es abprallt dazu, sich zu verkleben. Dies verursacht einen Kontrollverlust oder Rückschlag.

e) Verwenden Sie kein Ketten- oder gezähntes Sägeblatt. Solche Einsatzwerkzeuge verursachen häufig einen Rückschlag oder den Verlust der Kontrolle über das Elektrowerkzeug.

Besondere Sicherheitshinweise zum Schleifen und Trennschleifen:

a) Verwenden Sie nur für Ihr Elektrowerkzeug vorgesehene Scheibentypen und den entsprechenden Schutz. Schleifkörper, die nicht für das Elektrowerkzeug vorgesehen sind, können nicht ausreichend abgeschirmt werden und sind unsicher.

b) Gekrüpfte Schleifscheiben müssen so montiert werden, dass ihre Schleiffläche nicht über die Ebene des Schutzhaubenrandes hinausragt. Eine unsachgemäß montierte Schleifscheibe, die über die Ebene des Schutzhaubenrandes hinausragt, kann nicht ausreichend abgeschirmt werden.

c) Die Schutzhaube muss sicher am Elektrowerkzeug angebracht und für ein Höchstmaß an Sicherheit so eingestellt sein, dass der kleinstmögliche Teil des Schleifkörpers offen zum Bediener zeigt. Die Schutzhaube hilft, die Bedienperson vor Bruchstücken, zufälligem Kontakt mit dem Schleifkörper sowie Funken, die Kleidung entzünden könnten, zu schützen.

d) Scheiben dürfen nur für bestimmte Anwendungen verwendet werden. Zum Beispiel: Führen Sie niemals Schleifvorgänge mit Trennscheiben durch. Trennscheiben sind zum Materialabtrag mit der Kante der Scheibe bestimmt. Seitliche Krafteinwirkung auf diese Schleifkörper kann sie zerbrechen.

e) Verwenden Sie immer unbeschädigte Spannflansche in der richtigen Größe und Form für die von Ihnen gewählte Schleifscheibe. Geeignete Flansche stützen die Schleifscheibe und verringern so die Gefahr eines Schleifscheibenbruchs. Flansche für Trennscheiben können sich von den Flanschen für andere Schleifscheiben unterscheiden.

f) Verwenden Sie keine abgenutzten Schleifscheiben von größeren Elektrowerkzeugen. Für größere Elektrowerkzeuge vorgesehene Scheiben sind nicht für die hohen Geschwindigkeiten eines kleineren Werkzeugs geeignet und können bersten.

g) Bei der Verwendung zweiseitiger Scheiben immer den richtigen Schutz für die jeweilige Anwendung verwenden. Ansonsten kann ggf. das gewünschte Schutzniveau nicht erreicht werden, was zu schweren Verletzungen führen kann.

Zusätzliche Sicherheitshinweise speziell für das Trennschleifen:

a) Vermeiden Sie ein Blockieren der Trennscheibe oder zu hohen Anpressdruck. Führen Sie keine übermäßig tiefen Schnitte aus. Eine Überlastung der Trennscheibe erhöht deren Beanspruchung und die Anfälligkeit zum Verkanten oder Blockieren und damit die Möglichkeit eines Rückschlags oder Schleifkörperbruchs.

b) Meiden Sie den Bereich vor und hinter der rotierenden Trennscheibe. Wenn Sie die Trennscheibe im Werkstück von sich wegbewegen, kann im Falle eines Rückschlags das Elektrowerkzeug mit der sich drehenden Scheibe direkt auf Sie zugeschleudert werden.

c) Falls die Trennscheibe verklemt oder Sie die Arbeit unterbrechen, schalten Sie das Gerät aus und halten Sie es ruhig, bis die Scheibe zum Stillstand gekommen ist. Versuchen Sie nie, die noch laufende Trennscheibe aus dem Schnitt zu ziehen, sonst kann ein Rückschlag erfolgen. Ermitteln und beheben Sie die Ursache für das Verklebten.

d) Schalten Sie das Elektrowerkzeug nicht wieder ein, solange es sich im Werkstück befindet. Lassen Sie die Trennscheibe erst ihre volle Drehzahl erreichen, bevor Sie den Schnitt vorsichtig fortsetzen. Anderenfalls kann die Scheibe verhaken, aus dem Werkstück springen oder einen Rückschlag verursachen.

e) Stützen Sie Platten oder große Werkstücke ab, um das Risiko eines Rückschlags durch eine eingeklemmte Trennscheibe zu vermindern. Große Werkstücke können sich unter ihrem eigenen Gewicht durchbiegen. Das Werkstück muss auf beiden Seiten abgestützt werden, und zwar sowohl in der Nähe des Trennschnitts als auch an der Kante.

f) Seien Sie besonders vorsichtig bei "Taschenschnitten" in bestehende Wände oder andere nicht einsehbare Bereiche. Die eintauchende Trennscheibe kann beim Schneiden in Gas- oder Wasserleitungen, elektrische Leitungen oder andere Objekte einen Rückschlag verursachen.

g) Schneiden Sie stets in einer geraden Linie. Eine Überbeanspruchung der Schleifscheibe erhöht die Belastung sowie die Anfälligkeit für ein Verdrehen oder Blockieren der Scheibe im Schnitt. Dies wiederum kann zu Rückschlag oder Scheibenbruch und damit zu schweren Verletzungen führen.

Sicherheitshinweise speziell für Schleifvorgänge:

a) Verwenden Sie Schleifpapier mit der geeigneten Körnung. Folgen Sie bei der Auswahl den Empfehlungen des Herstellers. Schleifpapier, das zu weit über das Schleifkissen hinausragt, stellt eine Verletzungsgefahr dar und kann sich verfangen, zu einem Reißen der Scheibe oder Rückschlag führen.

Sicherheitshinweise speziell für das Arbeiten mit Drahtbürsten:

a) Beachten Sie, dass die Drahtbürste auch während des üblichen Gebrauchs Drahtstücke verliert. Überlasten Sie die Drähte nicht durch zu hohen Anpressdruck. Wegfliegende Drahtstücke können sehr leicht durch dünne Kleidung und/oder die Haut dringen.

b) Wenn für Arbeiten mit Drahtbürsten die Verwendung eines Schutzes vorgesehen ist, muss sichergestellt werden, dass dieser den freien Lauf von Scheibe und Bürste ermöglicht.

Teller- und Topfbürsten können durch Anpressdruck und Zentrifugalkräfte ihren Durchmesser vergrößern.

WEITERE SICHERHEITS- UND ARBEITSHINWEISE

Überprüfen Sie stets, ob die Spindelarretierung vollständig gelöst ist, bevor Sie das Werkzeug einschalten! Nach der Verwendung der Spindelarretierung zum Anziehen/Lösen der Schleifscheibe ist es möglich, dass die Taste in der Verriegelungsstellung stecken bleibt.

Beim Schleifen von Metallen entsteht Funkenflug. Darauf achten, dass keine Personen gefährdet werden. Wegen der Brandgefahr dürfen sich keine brennbaren Materialien im Funkenflugbereich befinden. Keine Staubabsaugung verwenden.

Vermeiden Sie, dass Funkenflug und Schleifstaub den Körper treffen.

Nicht in den Gefahrenbereich der laufenden Maschine greifen. Späne oder Splitter dürfen bei laufender Maschine nicht entfernt werden.

Gerät sofort ausschalten, wenn beträchtliche Schwingungen auftreten oder andere Mängel festgestellt werden. Überprüfen Sie die Maschine, um die Ursache festzustellen.

Bei extremen Einsatzbedingungen (z. B. beim Glattschleifen von Metallen mit Stützsteller und Vulkanfieber-Schleifscheibe) kann sich eine starke Verschmutzung im Inneren des Stabschleifers (Metallablagerungen) aufbauen.

Wegen Kurzschlussgefahr dürfen Metallteile nicht in die Lüftungsschlitze gelangen.

WARNUNG! Verbrennungsgefahr! Die Scheibe und das Werkstück werden während der Verwendung heiß. Tragen Sie Handschuhe, wenn Sie Scheiben austauschen oder das Werkstück berühren. Halten Sie Ihre Hände unter keinen Umständen in den Schleifbereich.

WARNUNG! Um die durch einen Kurzschluss verursachte Gefahr eines Brandes, von Verletzungen oder Produktbeschädigungen zu vermeiden, tauchen Sie das Werkzeug, den Wechselakku oder das Ladegerät nicht in Flüssigkeiten ein und sorgen Sie dafür, dass keine Flüssigkeiten in die Geräte und Akkus eindringen. Korrodierende oder leitfähige Flüssigkeiten, wie Salzwasser, bestimmte Chemikalien und Bleichmittel oder Produkte, die Bleichmittel enthalten, können einen Kurzschluss verursachen. Wechselakkus und Ladegeräte nicht öffnen und nur in trockenen Räumen lagern. Vor Nässe schützen.

Wechselakkus des Systems M18 nur mit Ladegeräten des Systems M18 laden. Keine Akkus aus anderen Systemen laden.

BESTIMMUNGSGEMÄSSE VERWENDUNG

Der Winkelschleifer ist zum Schleifen und Trennen von Metall-, Stein-, Beton- und Keramikmaterialien sowie zum Schmirgeln und Bürsten (mit einer Drahtbürste) vorgesehen.

Für Trennarbeiten Trennscheibekappe aus dem Zubehörprogramm verwenden.

Beachten Sie auch die Hinweise der Zubehöhersteller.

Das Elektrowerkzeug ist nur für Trockenbearbeitung geeignet.

Am Winkelschleifer sollten nur geeignete Schleif- oder Trennscheiben und entsprechende Schutzvorrichtungen (Schleifschutz oder Trennschutz), wie im Abschnitt "Produktspezifikation" dieses Handbuchs beschrieben, angebracht werden. Der Winkelschleifer ist als Handwerkzeug vorgesehen. Er darf nicht auf einer Halterung oder Werkbank montiert werden.

Verwenden Sie das Produkt nur für den bestimmungsgemäßen Gebrauch.

RESTRISKEN

Auch bei ordnungsgemäßer Verwendung können nicht alle Restrisiken ausgeschlossen werden. Beim Gebrauch können folgende Gefahren entstehen, auf die der Bediener besonders achten sollte:

- Durch Vibration verursachte Verletzungen. Halten Sie das Gerät an den dafür vorgesehenen Griffen und begrenzen Sie die Arbeits- und Expositionszeit.
- Lärmbelastung kann zu Gehörschädigungen führen. Tragen Sie

- einen Gehörschutz und schränken Sie die Expositionsdauer ein.
- Durch Schmutzpartikel verursachte Augenverletzungen. Tragen Sie immer eine Schutzbrille, feste lange Hosen, Handschuhe und festes Schuhwerk.
- Einatmen von giftigen Stäuben.

HINWEISE FÜR LI-ION-AKKUS

Gebrauch von Li-Ion-Akkus

Längere Zeit nicht benutzte Wechselakkus vor Gebrauch nachladen.

Eine Temperatur über 50°C vermindert die Leistung des Wechselakkus. Längere Erwärmung durch Sonne oder Heizung vermeiden.

Die Anschlusskontakte an Ladegerät und Wechselakku sauber halten.

Für eine optimale Lebensdauer müssen nach dem Gebrauch die Akkus voll geladen werden.

Für eine möglichst lange Lebensdauer sollten die Akkus nach dem Aufladen aus dem Ladegerät entfernt werden.

Bei Lagerung des Akkus länger als 30 Tage: Bewahren Sie den Akkupack an einem trockenen Ort mit einer Temperatur unter 27 °C auf.

Akku bei ca. 30%-50% des Ladezustandes lagern..

Akku alle 6 Monate erneut aufladen.

Akkuüberlastschutz bei Li-Ion-Akkus

Bei Überlastung des Akkus durch sehr hohen Stromverbrauch, z.B. extrem hohe Drehmomente, plötzlichem Stopp oder Kurzschluss, vibriert das Elektrowerkzeug 5 Sekunden lang, die Ladeanzeige blinkt und das Elektrowerkzeug schaltet sich selbsttätig ab.

Zum Wiedereinschalten, den Schalterdrücker loslassen und dann wieder einschalten. Unter extremen Belastungen erhitzt sich der Akku zu stark. In diesem Fall blinken alle Lampen der Ladeanzeige bis der Akku abgekühlt ist. Nach Erlöschen der Ladeanzeige kann weitergearbeitet werden.

Transport von Lithium-Ionen-Akkus

Lithium-Ionen-Akkus fallen unter die gesetzlichen Bestimmungen zum Gefahrguttransport.

Der Transport dieser Akkus muss unter Einhaltung der lokalen, nationalen und internationalen Vorschriften und Bestimmungen erfolgen.

Verbraucher dürfen diese Akkus ohne Weiteres auf der Straße transportieren.

Der kommerzielle Transport von Lithium-Ionen-Akkus durch Speditionsunternehmen unterliegt den Bestimmungen des Gefahrguttransports. Die Versandvorbereitungen und der Transport dürfen ausschließlich von entsprechend geschulten Personen durchgeführt werden. Der gesamte Prozess muss fachmännisch begleitet werden.

Folgende Punkte sind beim Transport von Akkus zu beachten:

Stellen Sie sicher, dass die Kontakte geschützt und isoliert sind, um Kurzschlüsse zu vermeiden.

Achten Sie darauf, dass der Akkupack innerhalb der Verpackung nicht verrutschen kann. Beschädigte oder auslaufende Akkus dürfen nicht transportiert werden. Wenden Sie sich für weitere Hinweise an Ihr Speditionsunternehmen.

ARBEITSHINWEISE

Vergewissern Sie sich bei Schleifwerkzeugen mit Gewindeeinsatz, dass das Gewinde lang genug ist, um die Spindelänge aufzunehmen.

Trenn- und Schleifscheiben stets gemäß den Angaben des Herstellers verwenden und aufbewahren.

Beim Schrappen und Trennen immer mit Schutzhaube arbeiten.

Gekrüpfte Schleifscheiben müssen so montiert werden, dass ihre Schleiffläche mind. 2 mm unter der Ebene des Schutzhaubenrandes endet.

Die Flanschmutter muss vor Inbetriebnahme der Maschine angezogen sein.

Stets den Zusatzhandgriff verwenden.

Das zu bearbeitende Werkstück muss festgespannt werden, sofern es nicht durch sein Eigengewicht hält. Niemals Werkstück mit der Hand gegen die Scheibe führen.

Die Flanschmutter muss vor Inbetriebnahme der Maschine fest angezogen sein. Sollte das Einsatzwerkzeug mit der Flanschmutter nicht fest angezogen werden, besteht die Möglichkeit, dass das Einsatzwerkzeug beim Abbremsen die notwendige Spannkraft verliert.

ÜBERLAST- UND RÜCKSCHLAG-SCHUTZ

Das Elektrowerkzeug verfügt über eine Überlast- und Rückschlag-Schutzfunktion und stoppt bei entsprechender Überlast. Um weiter zu arbeiten, Elektrowerkzeug aus- und wieder einschalten.

SANFTANLAUF

Elektronischer Sanftanlauf für sichere Handhabung verhindert beim Einschalten ein ruckartiges Anlaufen der Maschine.

BREMSSYSTEM

Die Auslaufbremse wirkt, sobald der Schalter losgelassen wird. Das Werkzeug stoppt dann innerhalb von Sekunden.

Stellen Sie sicher, dass das Einsatzwerkzeug vollständig zum Stillstand kommt, bevor Sie es ablegen.

Im Vergleich zu Werkzeugen ohne Auslaufbremse wird die Auslaufzeit durch das Bremsen stark verkürzt.

REINIGUNG

Stets die Lüftungsschlitze der Maschine sauber halten.

WARTUNG

Nur Milwaukee Zubehör und Milwaukee Ersatzteile verwenden. Bauteile, deren Austausch nicht beschrieben wurde, bei einer Milwaukee Kundendienststelle auswechseln lassen (Broschüre Garantie/Kundendienstadressen beachten).

Bei Bedarf kann eine Explosionszeichnung des Gerätes unter Angabe der Maschinen Type und der sechsstelligen Nummer auf dem Leistungsschild bei Ihrer Kundendienststelle oder direkt bei Techtronic Industries GmbH, Max-Eyth-Straße 10, 71364 Winnenden, Germany angefordert werden.

SYMBOLS



Bitte lesen Sie die Gebrauchsanweisung vor Inbetriebnahme sorgfältig durch.



ACHTUNG! WARNUNG! GEFAHR!



Vor allen Arbeiten am Gerät den Wechselakku herausnehmen.



Den Schutz nicht für das Trennschleifen verwenden.



Keine Kraft anwenden.



Kraft anwenden.



Beim Arbeiten mit der Maschine stets Schutzbrille tragen.



Tragen Sie Gehörschutz.



Geeignete Staubschutzmaske tragen.



Schutzhandschuhe tragen!



Das Werkzeug stets mit zwei Händen bedienen.



Nur für Schleifarbeiten.



Nur für Trennarbeiten.



Auf zulässige Scheibendicke achten.



Zubehör - Im Lieferumfang nicht enthalten, empfohlene Ergänzung aus dem Zubehörprogramm.



Rotationsrichtung



Altbatterien, Elektro- und Elektronik-Altgeräte dürfen nicht zusammen mit dem Hausmüll entsorgt werden. Altbatterien, Elektro- und Elektronik-Altgeräte sind getrennt zu sammeln und zu entsorgen. Entfernen Sie Altbatterien, Altakkumulatoren und Leuchtmittel vor dem Entsorgen aus den Geräten. Erkundigen Sie sich bei den örtlichen Behörden oder bei Ihrem Fachhändler nach Recyclinghöfen und Sammelstellen. Je nach den örtlichen Bestimmungen können Einzelhändler verpflichtet sein, Altbatterien, Elektro- und Elektronik-Altgeräte kostenlos zurückzunehmen. Tragen Sie durch Wiederverwendung und Recycling Ihrer Altbatterien, Elektro- und Elektronik-Altgeräte dazu bei, den Bedarf an Rohmaterialien zu verringern. Altbatterien (vor allem Lithium-Ionen-Batterien), Elektro- und Elektronik-Altgeräte enthalten wertvolle, wiederverwertbare Materialien, die bei nicht umweltgerechter Entsorgung negative Auswirkungen auf die Umwelt und Ihre Gesundheit haben können. Löschen Sie vor der Entsorgung möglicherweise auf Ihrem Altgerät vorhandene personenbezogene Daten.

n

Neendrehzahl

V

Spannung



Gleichstrom



Europäisches Konformitätszeichen



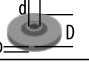
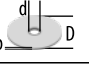
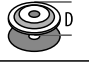

Britisches Konformitätszeichen



Ukrainisches Konformitätszeichen



Euroasiatisches Konformitätszeichen

CARACTÉRISTIQUES TECHNIQUES			
Type	M18 BLSAG125X	M18 BLSAG115XPD	M18 BLSAG125XPD
Numéro de série	4972 15 01 XXXXXX MJJJJ	4972 25 01 XXXXXX MJJJJ	4972 35 01 XXXXXX MJJJJ
Tension accu interchangeable	18 V	18 V	18 V
Vitesse de rotation nominale	11000 min ⁻¹	11000 min ⁻¹	11000 min ⁻¹
Filetage de l'arbre	M14	M14	M14
D=Diamètre de meule max.	125 mm	115 mm	125 mm
d=Diamètre de perçage	22,2 mm	22,2 mm	22,2 mm
	b=Épaisseur disque polisseur max.	6 mm	6 mm
	b=Épaisseur disque de coupe. max. / min.	3 mm / 1 mm	3 mm / 1 mm
	D=Diamètre du disque de ponçage max.	125 mm	115 mm
	D=Diamètre brosse métallique max.	75 mm	75 mm
Poids suivant EPTA-Procédure 01/2014 (Li-Ion 2,0 Ah ... 12,0 Ah)	2,2 ... 3,3 kg	2,2 ... 3,3 kg	2,2 ... 3,3 kg
Température ambiante conseillée pour le fonctionnement	-18 ... +50 °C	-18 ... +50 °C	-18 ... +50 °C
Batteries conseillées	M18B...; M18HB...	M18B...; M18HB...	M18B...; M18HB...
Chargeurs conseillés	M12-18...; M1418C6	M12-18...; M1418C6	M12-18...; M1418C6

Informations sur le bruit: Valeurs de mesure obtenues conformément à la EN 62841. Les mesures réelles (des niveaux acoustiques de l'appareil) sont :

Niveau de pression acoustique / Incertitude K	92,51 dB (A) / 3 dB (A)	92,51 dB (A) / 3 dB (A)	92,51 dB (A) / 3 dB (A)
Niveau d'intensité acoustique / Incertitude K	100,51 dB (A) / 3 dB (A)	100,51 dB (A) / 3 dB (A)	100,51 dB (A) / 3 dB (A)

Toujours porter une protection acoustique!

Informations sur les vibrations: Valeurs totales des vibrations (somme vectorielle de trois sens) établies conformément à EN 62841.

Valeur d'émission vibratoire a _v / Incertitude K	M18 BLSAG125X	M18 BLSAG115XPD	M18 BLSAG125XPD
Meulage surfacique	6,30 m/s ² / 1,5 m/s ²	7,10 m/s ² / 1,5 m/s ²	7,10 m/s ² / 1,5 m/s ²
Polissage avec feuille abrasive	1,97 m/s ² / 1,5 m/s ²	1,82 m/s ² / 1,5 m/s ²	1,82 m/s ² / 1,5 m/s ²

Des valeurs de vibration différentes peuvent se présenter pendant d'autres applications, comme par exemple le tronçonnage ou le polissage avec la brosse à fils métalliques !

AVERTISSEMENT!

Le niveau de vibration et d'émissions sonores indiqué dans cette fiche de données a été mesuré en respect d'une méthode standard de test selon la norme EN 62841 et peut être utilisé pour comparer les outils entre eux. Il peut être utilisé pour évaluation préliminaire de l'exposition.

Le niveau de vibration et d'émissions sonores déclaré correspond à l'application principale de l'outil. Cependant, si l'outil est utilisé pour des applications différentes, avec différents accessoires ou est mal entretenu, les vibrations et les émissions sonores peuvent différer. Cela peut augmenter considérablement le niveau d'exposition au cours de la période de travail totale.

Une estimation du niveau d'exposition aux vibrations et au bruit devrait également tenir compte des temps d'arrêt de l'outil ou des périodes où il est en marche mais n'effectue pas réellement le travail. Cela peut réduire considérablement le niveau d'exposition au cours de la période de travail totale.

Identifier des mesures de sécurité supplémentaires pour protéger l'opérateur des effets des vibrations et/ou du bruit tels que : l'entretien de l'outil et des accessoires, le maintien au chaud des mains, l'organisation des processus de travail.

AVERTISSEMENT! Lisez toutes les consignes de sécurité et les instructions. Le non-respect des avertissements et instructions indiqués ci après peut entraîner un choc électrique, un incendie et/ou de graves blessures sur les personnes.

Bien garder tous les avertissements et instructions.

INDICATIONS DE SÉCURITÉ POUR POLISSEUSE D'ANGLE

Avertissements communs pour le meulage, le ponçage au papier de verre, les travaux avec brosses métalliques le tronçonnage :

a) Cet outil électrique est destiné à fonctionner comme meuleuse, ponceuse, brosse métallique, lustreuse ou outil à tronçonner. Lire toutes les mises en garde de sécurité, les instructions, les illustrations et les spécifications fournies avec cet outil électrique. Le fait de ne pas suivre toutes les instructions données cidessous peut provoquer un choc électrique, un incendie et/ou une blessure grave.

b) Cet outil électrique ne convient pas au meulage à la polissage. Les cas d'utilisation pour lesquels l'outil électrique n'est pas prévu peuvent présenter des mises en danger et être à l'origine de blessures.

c) Ne pas convertir cet outil électrique afin qu'il fonctionne d'une manière pour laquelle il n'a pas été spécifiquement conçu et spécifiée par le fabricant. Une telle conversion peut entraîner une perte de contrôle et des blessures graves.

d) Ne pas utiliser d'accessoires non conçus spécifiquement et recommandés par le fabricant d'outils. Le simple fait que l'accessoire puisse être fixé à votre outil électrique ne garantit pas un fonctionnement en toute sécurité.

e) La vitesse assignée de l'accessoire doit être au moins égale à la vitesse maximale indiquée sur l'outil électrique. Les accessoires fonctionnant plus vite que leur vitesse assignée peuvent se rompre et voler en éclat.

f) Le diamètre extérieur et l'épaisseur de votre accessoire doivent se situer dans le cadre des caractéristiques de capacité de votre outil électrique. Les accessoires dimensionnés de façon incorrecte ne peuvent pas être protégés ou commandés de manière appropriée.

g) Les dimensions du montage des accessoires doivent correspondre aux dimensions du matériel de montage de l'outil électrique. Des accessoires non aptes au mandrin de fixation du dispositif tourneront d'une manière excentrique, vibreront excessivement et ils pourront comporter la perte de contrôle de l'appareil.

h) Ne pas utiliser d'accessoire endommagé. Avant chaque utilisation examiner les accessoires comme les meules abrasives pour détecter la présence éventuelle de copeaux et fissures, les patins d'appui pour détecter des traces éventuelles de fissures, de déchirure ou d'usure excessive, ainsi que les brosses métalliques pour détecter des fils desserrés ou fissurés. Si l'outil électrique ou l'accessoire a subi une chute, examiner les dommages éventuels ou installer un accessoire non endommagé. Après examen et installation d'un accessoire, placez-vous ainsi que les personnes présentes à distance du plan de l'accessoire rotatif et faire marcher l'outil électrique à vitesse maximale à vide pendant 1 min. Les accessoires endommagés seront normalement détruits pendant cette période d'essai.

i) Porter un équipement de protection individuelle. En fonction de l'application, utiliser un écran facial, des lunettes de sécurité ou des verres de sécurité. Le cas échéant, utiliser un masque antipoussières, des protections auditives, des gants et un tablier capables d'arrêter les petits fragments abrasifs ou des pièces à usiner. La protection oculaire doit être capable de stopper les débris volants générés par diverses applications. Le masque anti-poussière ou le respirateur doivent être en mesure de filtrer les particules générées par l'application. Une exposition prolongée à un bruit de forte intensité peut entraîner une perte auditive.

j) Maintenir les personnes présentes à une distance de sécurité par rapport à la zone de travail. Toute personne entrant dans la zone de travail doit porter un équipement de protection individuelle. Des fragments de pièce à usiner ou d'un accessoire cassé peuvent être projetés et provoquer des blessures en dehors de la zone immédiate d'opération.

k) Maintenez l'appareil par les surfaces de poignée isolées lorsque vous exécutez des travaux pendant lesquels l'outil de coupe peut toucher des lignes électriques dissimulées. Le contact de l'outil de coupe avec un câble qui conduit la tension peut mettre les pièces métalliques de l'appareil sous tension et mener à une décharge électrique.

l) Ne jamais poser l'appareil électrique avant que l'outil rapporté soit entièrement à l'arrêt. L'accessoire de rotation peut agripper la surface et arracher l'outil électrique hors de votre contrôle.

m) Ne pas faire fonctionner l'outil électrique en le portant sur le côté. Un contact accidentel avec l'accessoire de rotation pourrait accrocher vos vêtements et attirer l'accessoire sur vous.

n) Nettoyer régulièrement les orifices d'aération de l'outil électrique. Le ventilateur du moteur attirera la poussière à l'intérieur du boîtier et une accumulation excessive de poudre de métal peut provoquer des dangers électriques.

o) Ne pas faire fonctionner l'outil électrique à proximité de matériaux inflammables. Des étincelles pourraient enflammer ces matériaux.

p) Ne pas utiliser d'accessoires qui nécessitent des réfrigérants fluides. L'utilisation d'eau ou d'autres réfrigérants fluides peut aboutir à une électrocution ou un choc électrique.

Retour et avertissements associés :

Le rebond est une réaction soudaine au pincement ou à l'accrochage d'une meule rotative, d'un patin d'appui, d'une brosse ou de tout autre accessoire. Le pincement ou l'accrochage provoque un blocage rapide de l'accessoire en rotation qui, à son tour, contraint l'outil électrique hors de contrôle dans le sens opposé de rotation de l'accessoire au point du grippage.

Par exemple, si une meule abrasive est accrochée ou pincée par la pièce à usiner, le bord de la meule qui entre dans le point de pincement peut creuser la surface du matériau, provoquant des sauts ou l'expulsion de la meule. La meule peut sauter en direction de l'opérateur ou encore en s'en éloignant, selon le sens du mouvement de la meule au point de pincement. Les meules abrasives peuvent également se rompre dans ces conditions.

Le rebond résulte d'un mauvais usage de l'outil et/ou de procédures ou de conditions de fonctionnement incorrectes et peut être évité en prenant les précautions appropriées spécifiées cidessous.

a) Maintenir fermement l'outil électrique et placer votre corps et vos bras pour vous permettre de résister aux forces de rebond. Toujours utiliser une poignée auxiliaire, le cas échéant, pour une maîtrise maximale du rebond ou de la réaction de couple au cours du démarrage. L'opérateur peut maîtriser les couples de réaction ou les forces de rebond, si les précautions qui s'imposent sont prises.

b) Ne jamais placer votre main à proximité de l'accessoire en rotation. L'accessoire est susceptible de rebondir sur votre main.

c) Ne pas vous placer dans la zone où l'outil électrique se déplacera en cas de rebond. Le rebond pousse l'outil dans le sens opposé au mouvement de la meule au point d'accrochage.

d) Apporter un soin particulier lors de travaux dans les coins, les arêtes vives etc. Éviter les rebondissements et les accrochages de l'accessoire. Les coins, les arêtes vives ou les rebondissements ont tendance à accrocher l'accessoire en rotation et à provoquer une perte de contrôle ou un rebond.

e) N'utilisez pas de lames de scie à chaîne ou dentées. Ce type d'outil rapporté provoque fréquemment des contrecoups et une perte de contrôle de l'outil électrique.

Mises en garde de sécurité spécifiques aux opérations de meulage et de tronçonnage abrasif :

a) N'utiliser que les types de disques spécifiés pour votre outil électrique et la protection spécifique conçue pour le disque sélectionné. Le protecteur permet de protéger l'opérateur des fragments de meule cassée et d'un contact accidentel avec la meule.

b) Les disques polisseurs à moyen déporté devront être montés d'une façon telle que la surface de polissage ne dépasse pas le niveau du bord du protecteur. Un disque polisseur non correctement monté dépassant le niveau du bord du protecteur ne pourra pas être protégé suffisamment.

c) Utiliser uniquement des types de meules recommandés pour votre outil électrique et le protecteur spécifique conçu pour la meule choisie. La protection sécurise l'utilisateur contre les fragments de disque cassé, un contact accidentel avec le disque et les étincelles pouvant provoquer l'inflammation des vêtements.

d) Les disques doivent être utilisés uniquement pour des applications spécifiées. Par exemple : ne pas meuler avec le côté d'un disque à découper. Les meules à tronçonner abrasives sont destinées au meulage périphérique, l'application de forces latérales à ces meules peut les briser en éclats.

e) Toujours utiliser des flasques de meule non endommagés qui sont de taille et de forme correctes pour la meule que vous avez choisie. Des flasques de meule appropriés supportent la meule réduisant ainsi la possibilité de rupture de la meule. Les

flasques pour les meules à tronçonner peuvent être différents des autres flasques de meule.

f) Ne pas utiliser de meules usées d'outils électriques plus grands. Un disque destiné à un outil électrique plus gros ne convient pas à la vitesse plus élevée d'un outil plus petit et peut éclater.

g) Lorsque vous utilisez des disques à double usage, toujours utiliser la protection appropriée pour l'application en cours. Le fait de ne pas utiliser la protection appropriée peut ne pas fournir le niveau de protection souhaité, ce qui pourrait entraîner des blessures graves.

Avertissements de sécurité supplémentaires spécifiques aux opérations de tronçonnage abrasif :

a) Ne pas « coincer » la meule à tronçonner ou ne pas appliquer une pression excessive. Ne pas tenter d'exécuter une profondeur de coupe excessive. Une contrainte excessive de la meule augmente la charge et la probabilité de torsion ou de blocage de la meule dans la coupe et la possibilité de rebond ou de rupture de la meule.

b) Ne pas vous placer dans l'alignement de la meule en rotation ni derrière celle-ci. Lorsque la meule, au point de fonctionnement, s'éloigne de votre corps, le rebond éventuel peut propulser la meule en rotation et l'outil électrique directement sur vous.

c) Lorsque la meule se bloque ou lorsque la coupe est interrompue pour une raison quelconque, mettre l'outil électrique hors tension et tenir l'outil électrique immobile jusqu'à ce que la meule soit à l'arrêt complet. Ne jamais tenter d'enlever la meule à tronçonner de la coupe tandis que la meule est en mouvement sinon le rebond peut se produire. Rechercher et prendre des mesures correctives afin d'empêcher que la meule ne se grippe.

d) Ne pas reprendre l'opération de coupe dans la pièce à usiner. Laisser la meule atteindre sa pleine vitesse et rentrer avec précaution dans le tronçon. La meule peut se coincer, venir chevaucher la pièce à usiner ou effectuer un rebond si l'on fait redémarrer l'outil électrique dans la pièce à usiner.

e) Prévoir un support de panneaux ou de toute pièce à usiner surdimensionnée pour réduire le risque de pincement et de rebond de la meule. Les grandes pièces à usiner ont tendance à fléchir sous leur propre poids. Les supports doivent être placés sous la pièce à usiner près de la ligne de coupe et près du bord de la pièce des deux côtés de la meule.

f) Procéder avec une précaution supplémentaire pendant l'exécution d'une « coupe de poche » dans des parois existantes ou dans des zones bordées. La meule saillante peut couper des tuyaux de gaz ou d'eau, des câblages électriques ou des objets, ce qui peut entraîner des rebonds.

g) Ne pas essayer d'effectuer des coupes courbes. Une sollicitation excessive du disque augmente la charge et la sensibilité à la torsion ou au grippage pendant la coupe et la possibilité de retour ou de rupture du disque, pouvant à leur tour entraîner des blessures graves.

Avertissements de sécurité spécifiques aux opérations de ponçage :

a) Utiliser du papier abrasif de taille appropriée. Suivre les recommandations du fabricant lors de la sélection du papier abrasif. Un papier abrasif plus grand dépassant trop du plateau de ponçage présente un risque de lacération et peut provoquer un accrochage, une déchirure ou un retour du disque.

Avertissements de sécurité spécifiques aux opérations de brossage métallique :

a) Il convient d'être conscient du fait que les crins de brosse sont maintenus par la brosse même pendant une opération ordinaire. Ne pas surcharger les câbles par l'application d'une charge excessive sur la brosse. Les crins de brosse peuvent pénétrer aisément dans les vêtements légers et/ou dans la peau.

b) Si l'utilisation d'une protection est spécifiée pour le brossage métallique, ne permettre aucune interférence du disque métallique ou de la brosse avec la protection. Le tour et

ou la brosse métallique peut se dilater en diamètre en raison de la charge de travail et des forces centrifuges.

AVIS COMPLÉMENTAIRES DE SÉCURITÉ ET DE TRAVAIL

Toujours vérifier que le bouton de verrouillage de la broche soit entièrement relâché avant d'allumer la machine ! Après avoir utilisé le verrouillage de la broche pour serrer / desserrer le disque abrasif, il est possible que le bouton puisse se bloquer dans la position de verrouillage.

L'usinage des métaux génère des étincelles. Veiller à ce que personne ne soit exposé à un danger. En raison du risque d'incendie, aucune matière inflammable ou combustible ne doit se trouver dans la zone de projection des étincelles. Ne pas utiliser d'aspirateur de poussières.

Éviter que les étincelles et la poussière produites lors du polissage entrent en contact avec le corps.

Ne jamais intervenir dans la zone dangereuse lorsque la machine est en marche.

Ne jamais enlever les copeaux ni les éclats lorsque la machine est en marche.

Arrêter la machine tout de suite lorsqu'il y a des vibrations importantes ou que d'autres défauts surgissent. Contrôler la machine afin d'en trouver les causes.

Dans des conditions extrêmes (p. ex. métaux à meulage doux avec le mandrin et le disque en fibre vulcanisée), des impuretés importantes peuvent s'accumuler à l'intérieur de la meuleuse à matrice.

En raison de risques de court-circuit, veiller à ce qu'aucune pièce métallique ne pénètre dans les ouïes de ventilation.

AVERTISSEMENT! Danger de brûlures! Le disque et la pièce usinée deviennent chauds durant l'utilisation. Porter des gants lors du changement de disque ou au contact de la pièce usinée. Garder à tout moment les mains à l'écart de la zone de meulage.

AVERTISSEMENT! Pour réduire le risque d'incendie, de blessures corporelles et de dommages causés par un court-circuit, ne jamais immerger l'outil, le bloc-piles ou le chargeur dans un liquide ou laisser couler un fluide à l'intérieur de celui-ci. Les fluides corrosifs ou conducteurs, tels que l'eau de mer, certains produits chimiques industriels, les produits de blanchiment ou de blanchiment, etc., peuvent provoquer un court-circuit.

Ne pas ouvrir les accus interchangeables et les chargeurs et ne les stocker que dans des locaux secs. Les protéger contre l'humidité.

Ne charger les accus interchangeables du système M18 qu'avec le chargeur d'accus du système M18. Ne pas charger des accus d'autres systèmes.

UTILISATION CONFORME AUX PRESCRIPTIONS

La meuleuse d'angle est destinée au meulage et à la coupe de métaux, de pierres, de béton et de matériaux en céramique ainsi qu'au ponçage et au brossage.

Utilisez pour vos découpes le capuchon de coupe que vous trouvez dans la gamme des accessoires.

Utiliser un capot de protection fermé contenu dans le programme d'accessoires pour les travaux de tronçonnage.

Le dispositif électrique est apte exclusivement à travailler à sec.

Seuls les disques abrasifs ou de coupe appropriés et leurs protecteurs associés (protecteur de meulage ou protecteur de coupe) comme décrit dans la section de spécification du produit de ce manuel doivent être placés sur la meuleuse d'angle. La meuleuse d'angle est conçue pour être portée à la main ; elle ne doit pas être montée sur un dispositif de fixation ou un établi.

Ne pas utiliser le produit d'une autre manière que celle indiquée pour l'usage auquel il est destiné.

RISQUES RÉSIDUELS

Même en cas d'utilisation correcte, il n'est pas possible d'exclure tous les risques résiduels. Lors de l'utilisation, les risques suivants pourront être présents et l'utilisateur devra prêter une attention particulière en vue de les éviter :

- Blessures causées par les vibrations. Tenir le dispositif à l'aide de

ses poignées et limiter les temps de travail et d'exposition.

- L'exposition au bruit peut causer des dommages auditifs. Porter une protection auditive et limiter la durée de l'exposition.
- Lésions oculaires causées par des particules de déchets. Toujours porter des lunettes de sécurité, de pantalon long lourd, des gants et des chaussures robustes.
- Inhalation de gaz toxiques.

REMARQUE CONCERNANT LES ACCUS LI-ION

Utilisation d'accus Li-Ion

Recharger les accus avant utilisation après une longue période de non utilisation.

Une température supérieure à 50°C amoindrit la capacité des accus. Éviter les expositions prolongées au soleil ou au chauffage.

Tenir propres les contacts des accus et des chargeurs.

Pour une durée de vie optimale, les accus doivent être chargés à fond après l'utilisation.

Pour une plus longue durée de vie, enlever les batteries du chargeur de batterie quand celles-ci seront chargées.

En cas d'entreposage de la batterie pour plus de 30 jours :

Conservez le bloc-piles dans un endroit où la température est inférieure à 27 °C et à l'abri de l'humidité.

Entreposer la batterie avec une charge d'environ 30% - 50%.

Recharger la batterie tous les 6 mois.

Protection des accus Li-Ion

En cas d'une surcharge de l'accu à cause d'une très haute consommation de courant, par exemple suite à des couples extrêmement élevés, un arrêt soudain ou un court-circuit, l'outil électrique vibre pendant 5 secondes, l'indicateur de charge clignote et l'outil électrique se déconnecte automatiquement.

Pour le ré-enclencher, relâcher le poussoir de l'interrupteur, puis enclencher à nouveau l'appareil. Sous des sollicitations extrêmes, l'accu s'échauffe trop fortement. Dans ce cas, tous les témoins de l'indicateur de charge clignotent jusqu'à ce que l'accu se soit refroidi. Il est possible de continuer à travailler dès que l'indicateur de charge s'est éteint.

Transport de batteries lithium-ion

Les batteries lithium-ion sont soumises aux dispositions législatives concernant le transport de produits dangereux.

Le transport de ces batteries devra s'effectuer dans le respect des dispositions et des normes locales, nationales et internationales.

Les utilisateurs peuvent transporter ces batteries sans restrictions.

Le transport commercial de batteries lithium-ion est réglé par les dispositions concernant le transport de produits dangereux. La préparation au transport et le transport devront être effectués uniquement par du personnel formé de façon adéquate. Tout le procédé devra être géré d'une manière professionnelle.

Durant le transport de batteries il faut respecter les consignes suivantes :

S'assurer que les contacts soient protégés et isolés en vue d'éviter des courts-circuits.

S'assurer que le groupe de batteries ne puisse pas se déplacer à l'intérieur de son emballage. Des batteries endommagées ou des batteries perdant du liquide ne devront pas être transportées. Pour tout renseignement complémentaire veuillez vous adresser à votre transporteur professionnel.

CONSIGNES DE TRAVAIL

Sur les machines prévues pour les outils abrasifs à orifice fileté, vérifiez que la profondeur du filetage est suffisante pour la longueur de la broche.

Toujours utiliser et conserver les meules polisseuses et à couper conformément aux indications du fabricant.

Ne jamais travailler sans capot protecteur pour des travaux de tronçonnage et de dégrossissage.

Les disques polisseurs à moyeu déporté devront être montés d'une façon telle que la surface de polissage ne dépasse pas le niveau du bord du protecteur.

L'écrou du flasque doit être serré avant de mettre en marche la machine.

Utiliser toujours la poignée supplémentaire.

La pièce à travailler doit être fortement serrée lorsque son propre poids ne suffit pas à la maintenir. Ne jamais guider la pièce à travailler à la main vers la meule.

L'écrou bridé doit être bien serré avant la mise en marche de la machine. Si l'outil à insertion avec écrou bridé n'est pas bien serré, on risque que l'outil à insertion perde la force nécessaire de serrage lors du freinage.

PROTECTION SURCHARGE ET RETOUR

Le dispositif est pourvu de protection contre la surcharge, avec arrêt automatique, et contre les contrecoups. Éteignez l'outil électrique puis rallumez-le pour continuer à travailler.

DÉMARRAGE EN DOUCEUR

Démarrage électronique en douceur garantissant un maniement fiable tout en empêchant un démarrage brusque lors de la mise en marche de la machine.

SYSTÈME DE FREINAGE

Le frein de rodage s'enclenche lorsque l'interrupteur marche-arrêt est relâché, ce qui provoque l'arrêt de l'outil en quelques secondes.

Veiller à ce que l'outil d'insertion s'arrête complètement avant de le poser.

Par rapport aux outils sans frein de rodage, le temps de rodage est fortement réduit par le freinage.

LAVAGE

Tenir toujours propres les orifices de ventilation de la machine.

ENTRETIEN

Utiliser uniquement les accessoires Milwaukee et les pièces détachées Milwaukee. Faire remplacer les composants dont le remplacement n'a pas été décrit, par un des centres de service après-vente Milwaukee (observer la brochure avec les adresses de garantie et de service après-vente).

Si besoin est, une vue éclatée de l'appareil peut être fournie. S'adresser, en indiquant bien le numéro porté sur la plaque signalétique, à votre station de service après-vente (voir liste jointe) ou directement à Techtronic Industries GmbH, Max-Eyth-Straße 10, 71364 Winnenden, Germany.

SYMBÔLES

	Veuillez lire avec soin le mode d'emploi avant la mise en service
	ATTENTION! AVERTISSEMENT! DANGER!
	Avant tous travaux sur l'appareil retirer l'accu interchangeable.
	Ne pas utiliser le protecteur pour les opérations de coupe.
	Ne pas appliquer de la force.
	Appliquer la force.
	Toujours porter des lunettes protectrices en travaillant avec la machine.
	Portez une protection acoustique.
	Porter un masque de protection approprié contre les poussières.
	Porter des gants de protection!
	Toujours opérer à deux mains.
	Seulement pour des travaux de polissage.
	Seulement pour des travaux de coupe.
	Prendre garde à l'épaisseur de disque autorisée.

	Accessoires - Ces pièces ne font pas partie de la livraison. Il s'agit là de compléments recommandés pour votre machine et énumérés dans le catalogue des accessoires.
	Sens de rotation
	Les déchets de piles et les déchets d'équipements électriques et électroniques (déchets d'équipements électriques et électroniques) ne sont pas à éliminer dans les déchets ménagers. Les déchets de piles et les déchets d'équipements électriques et électroniques doivent être collectés et éliminés séparément. Retirez les déchets de piles, les déchets d'accumulateurs et les ampoules des appareils avant de les jeter. S'adresser aux autorités locales ou au détaillant spécialisé en vue de connaître l'emplacement des centres de recyclage et des points de collecte. Selon les réglementations locales, les détaillants peuvent être tenus de reprendre gratuitement les déchets de piles et les déchets d'équipements électriques et électroniques. Contribuez à réduire la demande de matières premières en réutilisant et en recyclant vos déchets de piles et d'équipements électriques et électroniques. Les déchets de piles (surtout les piles au lithium-ion) et les déchets d'équipements électriques et électroniques comportent des matériaux précieux et recyclables qui peuvent avoir des impacts négatifs sur l'environnement et sur votre santé s'ils ne sont pas éliminés de manière écologique. Avant de mettre au rebut votre ancien appareil, supprimez les données personnelles qui pourraient s'y trouver.
	<p>FR</p> <p>Cet appareil et sa batterie se recyclent</p> <p>À DÉPOSER EN MAGASIN À DÉPOSER EN DÉCHÈTERIE</p> <p>OU</p> <p>Points de collecte sur www.quefairedesdechets.fr</p>
n	Vitesse de rotation nominale
V	Tension
	Courant continu
	Marque de conformité européenne
	Marque de conformité britannique
	Marque de conformité ukrainienne
	Marque de conformité d'Eurasie

DATI TECNICI

	M18 BLSAG125X	M18 BLSAG115XPD	M18 BLSAG125XPD
Tipo di costruzione	Smerigliatrice a batteria	Smerigliatrice a batteria	Smerigliatrice a batteria
Numero di serie	4972 15 01 XXXXXX MJJJJ	4972 25 01 XXXXXX MJJJJ	4972 35 01 XXXXXX MJJJJ
Tensione batteria	18 V	18 V	18 V
Numero giri nominale	11000 min ⁻¹	11000 min ⁻¹	11000 min ⁻¹
Passo attacco codolo	M14	M14	M14
D=Diametro disco abrasivo max.	125 mm	115 mm	125 mm
d=Diametro Foro	22,2 mm	22,2 mm	22,2 mm
	b=Spessore disco levigatore max.	6 mm	6 mm
	b=Spessore disco di taglio max. / min.	3 mm / 1 mm	3 mm / 1 mm
	D=Diametro del disco abrasivo max.	125 mm	115 mm
	D=Diametro spazzola metallica max.	75 mm	75 mm
Peso secondo la procedura EPTA 01/2014 (Li-Ion 2,0 Ah ... 12,0 Ah)	2,2 ... 3,3 kg	2,2 ... 3,3 kg	2,2 ... 3,3 kg
Temperatura ambiente consigliata per il funzionamento	-18 ... +50 °C	-18 ... +50 °C	-18 ... +50 °C
Batterie consigliate	M18B...; M18HB...	M18B...; M18HB...	M18B...; M18HB...
Caricatori consigliati	M12-18...; M1418C6	M12-18...; M1418C6	M12-18...; M1418C6

Informazioni sulla rumorosità: Valori misurati conformemente alla norma EN 62841.

La misurazione A del livello di pressione acustica dell'utensile è di solito di:

Livello di rumorosità / Incertezza della misura K	92,51 dB (A) / 3 dB (A)	92,51 dB (A) / 3 dB (A)	92,51 dB (A) / 3 dB (A)
Potenza della rumorosità / Incertezza della misura K	100,51 dB (A) / 3 dB (A)	100,51 dB (A) / 3 dB (A)	100,51 dB (A) / 3 dB (A)

Utilizzare le protezioni per l'udito!

Informazioni sulle vibrazioni: Valori totali delle oscillazioni (somma di vettori in tre direzioni) misurati conformemente alla norma EN 62841

Valore di emissione dell'oscillazione a_n / Incertezza della misura K

Smerigliatura di superfici	6,30 m/s ² / 1,5 m/s ²	7,10 m/s ² / 1,5 m/s ²	7,10 m/s ² / 1,5 m/s ²
Levigatura con foglio abrasivo	1,97 m/s ² / 1,5 m/s ²	1,82 m/s ² / 1,5 m/s ²	1,82 m/s ² / 1,5 m/s ²

Per altre applicazioni, come ad esempio troncatura alla mola o la molatura con spazzola d'acciaio, possono essere prodotti altri livelli di vibrazione!

AVVERTENZA!

Il/i valore/i di emissione acustica riportato/i in questa scheda informativa sono stati misurati conformemente a un metodo di prova standard sulla base della norma EN 62841 e possono essere utilizzati per confrontare gli utensili tra loro. Può/possono essere utilizzato/i anche per una valutazione preliminare dell'esposizione.

Il livello di vibrazione ed emissione acustica dichiarata rappresenta le applicazioni principali dell'utensile. Tuttavia, se l'utensile è utilizzato per applicazioni diverse, con accessori differenti o una manutenzione non adeguata, la vibrazione e l'emissione acustica potrebbero variare. Ciò può aumentare significativamente il livello di esposizione durante l'intera durata del lavoro.

Una stima del livello di esposizione alle vibrazioni e al rumore dovrebbe tenere conto anche dei periodi in cui l'utensile è spento o è in funzione ma non sta lavorando. Ciò può ridurre significativamente il livello di esposizione durante l'intera durata del lavoro.

Identificare le misure di sicurezza supplementari per proteggere l'operatore dagli effetti delle vibrazioni e/o del rumore, ad esempio eseguendo la manutenzione dell'utensile e degli accessori, mantenendo le mani calde e organizzando gli schemi di lavoro.

AVVERTENZA! E' necessario leggere tutte le indicazioni di sicurezza e le istruzioni. In caso di mancato rispetto delle avvertenze di pericolo e delle istruzioni operative si potrà creare il pericolo di scosse elettriche, incendi e/o incidenti gravi.
Conservare tutte le avvertenze di pericolo e le istruzioni operative per ogni esigenza futura.

INDICAZIONI DI SICUREZZA PER LA SMERIGLIATRICE ANGOLARE

Istruzioni di sicurezza generali per lavori di levigatura, levigatura con carta vetrata, lavori con spazzole metalliche, troncatura:

a) Questo elettrotensile è previsto per essere utilizzato come levigatrice, levigatrice per carta a vetro, spazzola metallica e troncatrice. **Attenersi a tutte le avvertenze di pericolo, istruzioni, rappresentazioni e dati che si ricevono insieme all' elettrotensile.** In caso di mancata osservanza delle seguenti istruzioni vi è il pericolo di provocare una scossa elettrica, di sviluppare incendi e/o di provocare seri incidenti.

b) Questo attrezzo elettrico non è idoneo per la lucidatura. Qualsiasi utilizzo non previsto con il presente attrezzo elettrico può causare pericolo e lesioni.

c) Non convertire questo elettro utensile per operare in un modo che non sia specificamente progettato e specificato dal produttore dell'utensile. Una conversione simile può provocare la perdita di controllo e causare lesioni gravi.

d) Non utilizzare nessun accessorio che la casa costruttrice non abbia esplicitamente previsto e raccomandato per questo elettro utensile. Il semplice fatto che un accessorio possa essere fissato al Vostro elettro utensile non è una garanzia per un impiego sicuro.

e) Il numero di giri ammesso dell'accessorio impiegato deve essere almeno tanto alto quanto il numero massimo di giri riportato sull'elettro utensile. Un accessorio che gira più rapidamente di quanto consentito può rompersi in vari pezzi e venir lanciato intorno.

f) Il diametro esterno e lo spessore dell'accessorio montato devono corrispondere ai dati delle dimensioni dell'elettro utensile in dotazione. In caso di utilizzo di portautensili e di accessori di dimensioni sbagliate non sarà possibile schermanli oppure controllarli a sufficienza.

g) Le dimensioni del montaggio degli accessori devono corrispondere alle dimensioni della ferramenta di montaggio dell'elettro utensile. Accessori non adatti al mandrino di fissaggio del dispositivo si muoveranno in maniera eccentrica, vibreranno eccessivamente e potranno comportare la perdita del controllo sull'utensile.

h) Non utilizzare mai portautensili od accessori danneggiati. Prima di ogni utilizzo controllare i portautensili e gli accessori ed accertarsi che sui dischi abrasivi non vi siano scheggiature o crepature, che il platorello non sia soggetto ad incrinature, crepature o forte usura e che le spazzole metalliche non abbiano fili metallici allentati oppure rotti. Se l'elettro utensile oppure l'accessorio impiegato dovesse sfuggire dalla mano e cadere, accertarsi che questo non abbia subito nessun danno oppure utilizzare un accessorio intatto. Una volta controllato e montato il portautensili o accessorio, far funzionare l'elettro utensile per la durata di un minuto con il numero massimo di giri avendo cura di tenersi lontani e di impedire anche ad altre persone presenti di avvicinarsi ai portautensili o accessorio in rotazione. Nella maggior parte dei casi i portautensili o accessori danneggiati si rompono nel corso di questo periodo di prova.

i) Indossare abbigliamento di protezione. A seconda dell'applicazione in corso utilizzare una visiera completa, maschera di protezione per gli occhi oppure occhiali di sicurezza. Per quanto necessario, portare maschere per polveri, protezione acustica, guanti di protezione oppure un grembiule speciale in grado di proteggervi da piccole particelle di levigatura o di materiale. La protezione degli occhi deve essere in grado di fermare i detriti volanti generati da varie applicazioni. La maschera antipolvere o il respiratore devono essere in grado di filtrare le particelle generate dall'applicazione in questione. L'esposizione prolungata a rumori ad alta intensità può causare la perdita dell'udito.

j) Avere cura di evitare che altre persone possano avvicinarsi alla zona in cui si sta lavorando. Ogni persona che entra nella zona di operazione deve indossare un abbigliamento protettivo personale. Frammenti del pezzo in lavorazione oppure utensili rotti possono volar via oppure provocare incidenti anche al di fuori della zona diretta di lavoro.

k) Impugnare l'apparecchio sulle superfici di tenuta isolate mentre si eseguono lavori durante i quali l'utensile da taglio potrebbe entrare in contatto con cavi di corrente. L'eventuale contatto dell'utensile da taglio con un cavo sotto tensione potrebbe mettere sotto tensione le parti metalliche dell'apparecchio e provocare una folgorazione.

l) Non depositare mai l'utensile elettrico, prima che questo non si sia fermato completamente. L'utensile in rotazione può entrare in contatto con la superficie di appoggio facendovi perdere il controllo sulla macchina pneumatica.

m) Mai trasportare l'elettro utensile mentre questo dovesse essere ancora in funzione. Attraverso un contatto casuale

l'utensile in rotazione potrebbe fare presa sugli indumenti oppure sui capelli dell'operatore e potrebbe arrivare a ferire seriamente il corpo dell'operatore.

n) Pulire regolarmente le feritoie di ventilazione dell'elettro utensile in dotazione. Il ventilatore del motore attira polvere nella carcassa ed una forte raccolta di polvere di metallo può provocare pericoli di origine elettrica.

o) Non utilizzare mai l'elettro utensile nelle vicinanze di materiali infiammabili. Le scintille possono far prendere fuoco questi materiali.

p) Non utilizzare mai accessori che richiedano refrigeranti liquidi. L'utilizzo di acqua o di altri liquidi refrigeranti può provocare una scossa di corrente elettrica.

Contraccolpi e avvertenze correlate:

Un contraccollo è l'improvvisa reazione in seguito ad agganciamento oppure blocco di accessorio in rotazione come può essere un disco abrasivo, platorello, spazzola metallica ecc.. Agganciandosi oppure bloccandosi il portautensili o accessorio provoca un arresto improvviso della rotazione dello stesso. In questo caso l'operatore non è più in grado di controllare l'elettro utensile ed al punto di blocco si provoca un rimbalzo dello stesso che avviene nella direzione opposta a quella della rotazione del portautensili o dell'accessorio.

Se p. es. un disco abrasivo resta agganciato o bloccato nel pezzo in lavorazione, il bordo del disco abrasivo che si abbassa nel pezzo in lavorazione può rimanergli impigliato provocando in questo modo una rottura oppure un contraccollo del disco abrasivo. Il disco abrasivo si avvicina o si allontana dall'operatore a seconda della direzione di rotazione che ha nel momento in cui si blocca. In tali situazioni è possibile che le mole abrasive possano anche rompersi.

Un contraccollo è la conseguenza di un utilizzo non appropriato oppure non corretto dell'elettro utensile. Esso può essere evitato soltanto prendendo misure adeguate di sicurezza come dalla descrizione che segue.

a) Tenere sempre ben saldo l'elettro utensile e portare il proprio corpo e le proprie braccia in una posizione che vi permetta di compensare le forze di contraccollo. Se disponibile, utilizzare sempre l'impugnatura supplementare in modo da poter avere sempre il maggior controllo possibile su forze di contraccolpi oppure momenti di reazione che si sviluppano durante la fase in cui la macchina raggiunge il regime di pieno carico. Prendendo appropriate misure di precauzione l'operatore può essere in grado di tenere sotto controllo le forze di contraccollo e quelle di reazione a scatti.

b) Mai avvicinare la propria mano alla zona degli utensili in rotazione. L'accessorio potrebbe rimbalzare sulla vostra mano.

c) Evitare di avvicinarsi con il proprio corpo alla zona in cui l'elettro utensile viene mosso in caso di un contraccollo. Un contraccollo provoca uno spostamento improvviso dell'elettro utensile che si sviluppa nella direzione opposta a quella della rotazione della mola abrasiva al punto di blocco.

d) Operare con particolare attenzione in prossimità di spigoli, spigoli taglienti ecc.. Avere cura di impedire che portautensili o accessori possano rimbalzare dal pezzo in lavorazione oppure possano rimanervi bloccati. L'utensile in rotazione ha la tendenza a rimanere bloccato in angoli, spigoli taglienti oppure in caso di rimbalzo. Ciò provoca una perdita del controllo oppure un contraccollo.

e) Non utilizzare una lama a catena oppure dentata. Utensili di questo tipo causano spesso contraccolpi oppure comportano la perdita del controllo sull'utensile elettrico.

Particolari avvertenze di pericolo per operazioni di levigatura e di tronatura

a) Utilizzare solo i tipi di dischi specificati per il proprio elettro utensile e la protezione specifica progettata per il disco selezionato. Utensili abrasivi che non sono previsti per l'elettro utensile non possono essere sufficientemente schermati e sono insicuri.

b) I dischi levigatori con centro ribassato devono essere montati in maniera tale che la loro superficie di molatura non

sporga oltre il livello del bordo della cuffia di protezione. Un disco levigatore montato non correttamente che sporga oltre il livello del bordo della cuffia di protezione non potrà essere sufficientemente schermato.

c) Utilizzare sempre la cuffia di protezione prevista per il tipo di utensile abrasivo utilizzato. La cuffia di protezione deve essere applicata con sicurezza all'elettro utensile e regolata in modo tale da poter garantire il massimo possibile di sicurezza, cioè, che la parte dell'utensile abrasivo che senza protezione indica verso l'operatore deve essere ridotta al minimo possibile. La protezione consente di proteggere l'utente dai frammenti del disco rotto, dal contatto accidentale con il disco e dalle scintille che potrebbero dare alla fiamme gli indumenti.

d) I dischi devono essere utilizzati solo per le applicazioni specificate. Ad esempio: non rettificare con il lato del disco da taglio. Mole abrasive da taglio diritto sono previste per l'asportazione di materiale con il bordo del disco. Esercitando dei carichi laterali su questi utensili abrasivi vi è il pericolo di romperli.

e) Per la mola abrasiva selezionata, utilizzare sempre flange di serraggio che siano in perfetto stato e che siano della corretta dimensione e forma. Flange adatte hanno una funzione di corretto supporto della mola abrasiva riducendo il più possibile il pericolo di una rottura della mola abrasiva. È possibile che vi sia una differenza tra flange per mole abrasive da taglio diritto e flange per mole abrasive di altro tipo.

f) Non utilizzare mai mole abrasive usurate previste per elettro utensili più grandi. Un disco destinato a un elettro utensile più grande non è adatto alla velocità superiore di un utensile più piccolo e potrebbe esplodere.

g) Quando si utilizzano dischi a doppio uso, utilizzare sempre la protezione corretta per l'applicazione da eseguire. Il mancato utilizzo della protezione corretta potrebbe non fornire il livello di protezione desiderato con conseguenti lesioni gravi.

Avvertenze di sicurezza aggiuntive specifiche per le operazioni di taglio abrasive:

a) Evite que se bloquee el disco tronizador y una presión de aplicación excesiva. No intente realizar cortes demasiado profundos. Sottoponendo la mola da taglio diritto a carico eccessivo se ne aumenta la sollecitazione e la si rende maggiormente soggetta ad angolature improprie o a blocchi venendo così a creare il pericolo di contraccollo oppure di rottura dell'utensile abrasivo.

b) Evitare di avvicinarsi alla zona anteriore o posteriore al disco abrasivo da taglio in rotazione. Quando l'operatore manovra la mola da taglio diritto nel pezzo in lavorazione in direzione opposta a quella della propria persona, può capitare che in caso di un contraccollo il disco in rotazione faccia rimbalzare con violenza l'elettro utensile verso l'operatore.

c) Qualora il disco abrasivo da taglio diritto dovesse incepparsi oppure si dovesse interrompere il lavoro, spegnere l'elettro utensile e tenerlo fermo fino a quando il disco si sarà fermato completamente. Non tentare mai di estrarre il disco abrasivo dal taglio in esecuzione perché si potrebbe provocare un contraccollo. Rilevare ed eliminare la causa per il blocco.

d) Mai rimettere l'elettro utensile in funzione fintanto che esso si trovi ancora nel pezzo in lavorazione. Prima di continuare ad eseguire il taglio procedendo con la dovuta attenzione, attendere che il disco abrasivo da taglio diritto abbia raggiunto la massima velocità. In caso contrario è possibile che il disco resti agganciato, sbalzi dal pezzo in lavorazione oppure provochi un contraccollo.

e) Dotare di un supporto adatto pannelli oppure pezzi in lavorazione di dimensioni maggiori in modo da ridurre il rischio di un contraccollo dovuto ad un disco abrasivo da taglio diritto che rimane bloccato. Pezzi in lavorazione di dimensioni maggiori possono piegarsi sotto l'effetto del proprio peso. Provvedere a munire il pezzo in lavorazione di supporti adatti al caso specifico sia nelle vicinanze del taglio di tronatura che in quelle del bordo.

f) Operare con particolare cautela in presenza di "tagli ciechi" in pareti esistenti o altre zone non ispezionabili. Il disco abrasivo da taglio diritto che inizia il taglio sul materiale può provocare un contraccollo se dovesse arrivare a troncare condutture del gas o dell'acqua, linee elettriche oppure oggetti di altro tipo.

g) Non eseguire tagli curvi. Una sollecitazione eccessiva del disco aumenta il carico e la suscettibilità alla torsione o alla piegatura del disco nel taglio e la possibilità di contraccolpi o rotture del disco con lesioni gravi risultanti.

Avvertenze di sicurezza specifiche per le operazioni di levigatura:

a) Utilizzare carta abrasiva a dischi di dimensioni adeguate. Per la scelta della carta abrasiva, seguire le raccomandazioni del produttore. L'uso di carta abrasiva di dimensioni eccessive che si estende troppo oltre il tampono di levigatura presenta un rischio di lacerazione e può causare impigliamenti, rotture del disco o contraccolpi.

Avvertenze di sicurezza specifiche per le operazioni di spazzolatura:

a) Tenere presente che le spazzole di fili metallici perdono frammenti di filo di metallo anche durante un uso normale. Non sovraccaricare i fili metallici esercitando una eccessiva pressione. I frammenti di fili metallici eiettati potrebbero facilmente penetrare attraverso abbigliamento leggero e/o la pelle.

b) Se l'uso di una protezione è specificato per la spazzolatura a filo, impedire interferenze del disco del filo o della spazzola con la protezione. I diametri delle spazzole a disco e delle spazzola a tazza possono essere aumentati attraverso forze di pressione e tramite l'azione di forze centrifugali.

ULTERIORI AVVISI DI SICUREZZA E DI LAVORO

Controllare sempre se il pulsante del blocco dell'alberino è completamente rilasciato prima di accendere lo strumento! Dopo aver usato il blocco dell'alberino per serrare / allentare il disco abrasivo, è possibile che il pulsante sia in posizione di blocco.

Smerigliando metalli si producono scintille. Attenzione a non mettere in pericolo l'incolumità di persone. Per via del pericolo di incendio, nessun tipo di materiale infiammabile può trovarsi nelle vicinanze (potenziale raggio delle scintille). Non utilizzare aspirapolveri.

Evitare che le scintille o la polvere prodotta durante la smerigliatura entrino in contatto con il corpo.

Non entrare nel raggio d'azione dell'utensile mentre è in funzione.

Non rimuovere trucioli o schegge mentre l'utensile è in funzione.

Disinserire immediatamente la macchina in caso che si verificano delle forti oscillazioni oppure se si riscontrano altri difetti. Controllare la macchina per cercare di identificarne le cause.

In condizioni estreme (ad es. rettificazione delicata dei metalli con il mandrino e la mola in fibra vulcanizzata), una contaminazione significativa può accumularsi all'interno della smerigliatrice per stampi.

Non lasciare che nessuna parte metallica venga a contatto con l'apertura dell'areazione - pericolo di corto circuito

AVVERTENZA! Pericolo di ustioni! Il disco e il pezzo in lavorazione diventano roventi durante l'uso. Indossare guanti durante la sostituzione dei dischi o quando si toccano i pezzi da lavorare. Tenere sempre le mani lontane dall'area di rettificazione.

AVVERTENZA! Per ridurre il rischio d'incendio, di lesioni o di danni al prodotto causati da corto circuito, non immergere mai l'utensile, la batteria ricaricabile o il carica batterie in un liquido e non lasciare mai penetrare alcun liquido all'interno dei dispositivi e delle batterie. I fluidi corrosivi o conduttori come acqua salata, alcuni agenti chimici, agenti candeggianti o prodotti contenenti agenti candeggianti potrebbero provocare un corto circuito.

Non aprire né la batteria né il caricatore e conservarli solo in luogo asciutto. Proteggerli dalla umidità.

Le batterie del System M18 sono ricaricabili esclusivamente con i caricatori del System M18. Le batterie di altri sistemi non possono essere ricaricate.

UTILIZZO CONFORME

La smerigliatrice serve a rettificare e tagliare metallo, pietra, calcestruzzo e materiali in ceramica, nonché per eseguire operazioni di sabbiatura e spazzolatura con spazzola metallica.

Utilizzare il tappo del taglio dalla gamma di accessori per applicazioni da taglio.

In caso di dubbi vanno rispettate le indicazioni dei produttori degli accessori.

L'utensile elettrico è idoneo esclusivamente alla lavorazione a secco.

Si raccomanda di fissare nella smerigliatrice solo dischi per molare e dischi di taglio, assieme alle relative protezioni (protezione di rettificazione o di taglio), come descritto nella sezione del presente manuale inerente alla specifica del prodotto. La smerigliatrice è progettata per essere usata a mano; non deve essere montata su un apparecchio o su un banco da lavoro.

Non utilizzare il prodotto in altri modi diversi da quelli indicati per l'uso previsto.

RISCHI RESIDUI

Anche in caso di utilizzo corretto non è possibile escludere tutti i rischi residui. Durante l'uso possono esistere i seguenti pericoli e l'utilizzatore deve porre particolare attenzione per evitarli:

- Lesioni causate da vibrazioni. Tenere il dispositivo sulle apposite impugnature e limitare i tempi di lavoro e di esposizione.
- L'esposizione al rumore può causare danni all'udito. Indossare una protezione per l'udito e limitare la durata dell'esposizione.
- Lesioni agli occhi causate da particelle di detriti. Indossare sempre occhiali di protezione, pantaloni lunghi pesanti, guanti e scarpe robuste.
- Inalazione di polveri tossiche.

NOTE PER BATTERIE AGLI IONI DI LITIO

Uso di batterie agli ioni di litio

Batterie non utilizzate per molto tempo devono essere ricaricate prima dell'uso.

A temperature superiori ai 50°C, la potenza della batteria si riduce. Evitare di esporre l'accumulatore a surriscaldamento prolungato, dovuto ad esempio ai raggi del sole o ad un impianto di riscaldamento.

Per una ottimale vita utile è necessario ricaricare completamente le batterie dopo l'uso.

Per una più lunga durata, rimuovere le batterie dal caricabatterie quando saranno cariche.

In caso di immagazzinaggio della batteria per più di 30 giorni:

Conservare il pacco batterie in un luogo con una temperatura inferiore a 27 °C e al riparo dall'umidità.

Immagazzinare la batteria con carica di circa il 30% - 50%.

Ricaricare la batteria ogni 6 mesi.

Protezione contro il sovraccarico di batterie agli ioni di litio

In caso di sovraccarico dell'accumulatore dovuto ad un consumo molto elevato di corrente, ad es. momenti di coppia estremamente elevati, arresto improvviso o corto circuito, l'utensile elettrico vibra per 5 secondi, il display di carica lampeggia e l'elettrotensile si spegne automaticamente.

Per riaccenderlo rilasciare l'interruttore e poi riaccenderlo. Se sottoposto a sollecitazioni estreme l'accumulatore si riscalda eccessivamente. In questo caso lampeggiano tutte le spie del display di carica finché l'accumulatore non è raffreddato. Quando il display di carica si spegne si può continuare a lavorare.

Trasporto di batterie agli ioni di litio

Le batterie agli ioni di litio sono soggette alle disposizioni di legge sul trasporto di merce pericolosa.

Il trasporto di queste batterie deve avvenire rispettando le disposizioni e norme locali, nazionali ed internazionali.

Gli utilizzatori possono trasportare queste batterie su strada senza alcuna restrizione.

Il trasporto commerciale di batterie agli ioni di litio è regolato dalle disposizioni sul trasporto di merce pericolosa. Le preparazioni al trasporto ed il trasporto stesso devono essere svolti esclusivamente da persone idoneamente istruite. Tutto il processo deve essere gestito in maniera professionale.

Durante il trasporto di batterie occorre tenere conto di quanto segue:

Assicurarsi che i contatti siano protetti ed isolati per evitare corto circuiti.

Accertarsi che il gruppo di batterie non possa spostarsi all'interno dell'imballaggio. Batterie danneggiate o batterie che perdono liquido non devono essere trasportate. Per ulteriori informazioni si prega di contattare il proprio trasportatore.

ISTRUZIONI DI LAVORO

Per gli utensili previsti per il montaggio con mola con foro filettato, verificare che la filettatura della mola sia sufficientemente lunga da consentire l'inserimento del mandrino.

Utilizzare e conservare le mole smerigliatrici e da taglio sempre conformemente alle indicazioni della casa costruttrice.

Per sgrossare e tagliare utilizzare sempre la calotta di protezione.

I dischi levigatori con centro ribassato devono essere montati in maniera tale che la loro superficie di molatura non sporga oltre il livello del bordo della cuffia di protezione.

Il dado flangiato deve essere serrato prima dell'utilizzo della macchina.

Utilizzare sempre l'impugnatura laterale.

Il pezzo in lavorazione deve essere ben bloccato in posizione a meno che non resti stabile per via del proprio peso. Mai applicare a mano sulla mola il pezzo in lavorazione.

Il dado flangiato deve essere ben serrato prima dell'avvio della macchina. Se l'utensile ad inserto con dado flangiato non viene serrato bene, esiste il rischio che l'utensile ad inserto perda la necessaria forza di serraggio durante la frenatura.

PROTEZIONE DA SOVRACCARICO E CONTRACCOLPO

Il dispositivo è provvisto di protezione contro il sovraccarico, con arresto automatico, e contro i contraccolpi. Spegnerne l'elettrotensile e poi riaccenderlo per riprendere il lavoro.

AVVIAMENTO GRADUALE

Avviamento elettronico graduale, non brusco, per garantire una presa più sicura

SISTEMA DI FRENATURA

Il freno ad inerzia si aziona quando viene rilasciato l'interruttore On/Off, fermando l'utensile in pochi secondi.

Prima di appoggiarlo, assicurarsi che l'utensile di inserimento si sia arrestato completamente.

A differenza degli utensili senza un freno ad inerzia, il tempo di inerzia sarà notevolmente ridotto dalla frenata.

LAVAGGIO E PULIZIA

Tener sempre ben pulite le fessure di ventilazione dell'apparecchio.

MANUTENZIONE

Usare solo accessori Milwaukee e pezzi di ricambio Milwaukee. Gruppi costruttivi la cui sostituzione non è stata descritta, devono essere fatti cambiare da un punto di servizio di assistenza tecnica al cliente Milwaukee (vedi depliant garanzia/indirizzi assistenza tecnica ai clienti).

In caso di mancanza del disegno esplosivo, può essere richiesto al seguente indirizzo: Techtronic Industries GmbH, Max-Eyth-Straße 10, 71364 Winnenden, Germany.

SIMBOLI



Leggere attentamente le istruzioni per l'uso prima di mettere in funzione l'elettrotensile.



ATTENZIONE! AVVERTENZA! PERICOLO!



Prima di iniziare togliere la batteria dalla apparecchio.



Non usare la protezione per operazioni di taglio.



Non applicare forza.



Applicare la forza.



Durante l'uso dell'apparecchio utilizzare sempre gli occhiali di protezione.



Indossare protezioni acustiche adeguate.



Portare un'adeguata mascherina protettiva.



Indossare guanti protettivi!



Usare l'utensile sempre con due mani.



Solo per lavori di smerigliatura.



Solo per lavori di taglio.



Prestare attenzione allo spessore consentito del disco.



Accessorio - Non incluso nella dotazione standard, disponibile a parte come accessorio.



Senso di rotazione



I rifiuti di pile e i rifiuti di apparecchiature elettriche ed elettroniche non devono essere smaltiti insieme ai rifiuti domestici. I rifiuti di pile e di apparecchiature elettriche ed elettroniche devono essere raccolti e smaltiti separatamente. Rimuovere i rifiuti di pile e di accumulatori nonché le sorgenti luminose dalle apparecchiature prima di smaltirle. Chiedere alle autorità locali o al rivenditore specializzato dove si trovano i centri di riciclaggio e i punti di raccolta. A seconda dei regolamenti locali, i rivenditori al dettaglio possono essere obbligati a ritirare gratuitamente i rifiuti di pile e i rifiuti di apparecchiature elettriche ed elettroniche. Aiutate a ridurre il fabbisogno di materie prime riutilizzando e riciclando i propri rifiuti di pile e di apparecchiature elettriche ed elettroniche. I rifiuti di pile (specialmente di pile agli ioni di litio) e i rifiuti di apparecchiature elettriche ed elettroniche contengono materiali preziosi e riciclabili che possono avere un impatto negativo sull'ambiente e sulla vostra salute se non vengono smaltiti in modo ecologico. Cancellare tutti i dati personali che potrebbero essere presenti sul vostro rifiuto di apparecchiatura prima di procedere allo smaltimento.

n

Numero giri nominale

V

Voltaggio



Corrente continua



Marchio di conformità europeo



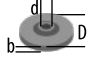



Marchio di conformità britannico



Marchio di conformità ucraina



Marchio di conformità euroasiatico

DATOS TÉCNICOS		M18 BLSAG125X	M18 BLSAG115XPD	M18 BLSAG125XPD
Tipo de construcción		Amoladora Angular a Batería	Amoladora Angular a Batería	Amoladora Angular a Batería
Número de producción		4972 15 01 XXXXXX MJJJJ	4972 25 01 XXXXXX MJJJJ	4972 35 01 XXXXXX MJJJJ
Voltaje de batería		18 V	18 V	18 V
Revoluciones nominales		11000 min ⁻¹	11000 min ⁻¹	11000 min ⁻¹
Rosca de eje de trabajo		M14	M14	M14
D=Diám. disco de amolado máx.		125 mm	115 mm	125 mm
d=Ø del taladro		22,2 mm	22,2 mm	22,2 mm
	b=Espesor del disco abrasivo máx.	6 mm	6 mm	6 mm
	b=espesor de la muela de tronzar máx. / mín.	3 mm / 1 mm	3 mm / 1 mm	3 mm / 1 mm
	D=Diámetro del disco de lijado máx.	125 mm	115 mm	125 mm
	D=Diámetro de los cepillos metálicos máx.	75 mm	75 mm	75 mm
Peso de acuerdo con el procedimiento EPTA 01/2014 (Li-Ion 2,0 Ah ... 12,0 Ah)		2,2 ... 3,3 kg	2,2 ... 3,3 kg	2,2 ... 3,3 kg
Temperatura ambiente recomendada para la operación		-18 ... +50 °C	-18 ... +50 °C	-18 ... +50 °C
Juegos de baterías recomendados		M18B...; M18HB...	M18B...; M18HB...	M18B...; M18HB...
Cargadores recomendados		M12-18...; M1418C6	M12-18...; M1418C6	M12-18...; M1418C6
Información sobre ruidos: Determinación de los valores de medición según norma EN 62841. El nivel de ruido típico del aparato determinado con un filtro A corresponde a:				
Presión acústica / Tolerancia K		92,51 dB (A) / 3 dB (A)	92,51 dB (A) / 3 dB (A)	92,51 dB (A) / 3 dB (A)
Resonancia acústica / Tolerancia K		100,51 dB (A) / 3 dB (A)	100,51 dB (A) / 3 dB (A)	100,51 dB (A) / 3 dB (A)
Usar protectores auditivos!				
Informaciones sobre vibraciones: Nivel total de vibraciones (suma vectorial de tres direcciones) determinado según EN 62841.				
Valor de vibraciones generadas a _h / Tolerancia K				
Lijado de superficies		6,30 m/s ² / 1,5 m/s ²	7,10 m/s ² / 1,5 m/s ²	7,10 m/s ² / 1,5 m/s ²
Lijar con hoja lijadora		1,97 m/s ² / 1,5 m/s ²	1,82 m/s ² / 1,5 m/s ²	1,82 m/s ² / 1,5 m/s ²

En el caso de otras aplicaciones, como p. ej. el tronzamiento con la muela o el esmerilado con cepillo de alambre de acero pueden resultar otros valores de vibración.

ADVERTENCIA!

El nivel de emisión de ruido y vibración indicado en esta hoja informativa se ha medido de acuerdo con una prueba estandarizada que figura en EN 62841 y se puede usar para comparar una herramienta con otra. Puede ser empleado para una evaluación preliminar de la exposición.

El nivel declarado emisión de vibración y ruido representa las principales aplicaciones de la herramienta. Sin embargo, si la herramienta se utiliza para diferentes aplicaciones, con diferentes accesorios o con un mantenimiento deficiente, la emisión de ruido y vibración puede diferir. Esto puede aumentar significativamente el nivel de exposición durante el periodo total de trabajo.

También se debe tener en cuenta una estimación del nivel de exposición a la vibración y el ruido cuando la herramienta está apagada o cuando está funcionando, pero no está haciendo su trabajo. Esto puede reducir significativamente el nivel de exposición durante el periodo total de trabajo.

Identifique medidas de seguridad adicionales para proteger al operador de los efectos de la vibración o el ruido, como realizar mantenimiento de la herramienta y los accesorios, mantener las manos calientes y organizar las pautas de trabajo.

ADVERTENCIA! Rogamos leer las indicaciones de seguridad y las instrucciones. En caso de no atenerse a las advertencias de peligro e instrucciones siguientes, ello puede ocasionar una descarga eléctrica, un incendio y/o lesión grave.

Guardar todas las advertencias de peligro e instrucciones para futuras consultas.

INSTRUCCIONES DE SEGURIDAD PARA LA AMOLADORA DE ANGULO

Advertencias de peligro generales al realizar trabajos de amolado, lijado, con cepillos de alambre, tronzado:

a) Esta herramienta eléctrica ha sido concebida para amolar, lijar, trabajar con cepillos de alambre y tronzar. Observe todas las advertencias de peligro, instrucciones, ilustraciones y especificaciones técnicas que se suministran con la herramienta eléctrica. En caso de no atenerse a las instrucciones siguientes, ello puede provocar una electrocución, incendio y/o lesiones serias.

b) Esta herramienta eléctrica no es adecuada para pulir. El uso de la herramienta para un fin no previsto puede conllevar riesgos y causar heridas.

c) No modifique esta herramienta eléctrica para que funcione de una manera que no esté específicamente diseñada y especificada por el fabricante de la herramienta. Dicha conversión podría resultar en una pérdida de control y causar lesiones personales graves.

d) No emplee accesorios diferentes de aquellos que el fabricante haya previsto o recomendado especialmente para esta herramienta eléctrica. El mero hecho de que sea acoplable un accesorio a su herramienta eléctrica no implica que su utilización resulte segura.

e) Las revoluciones admisibles del útil deberán ser como mínimo iguales a las revoluciones máximas indicadas en la herramienta eléctrica. Aquellos accesorios que giren a unas revoluciones mayores a las admisibles pueden llegar a romperse y salir despedidos.

f) El diámetro exterior y el grosor del útil deberán corresponder con las medidas indicadas para su herramienta eléctrica. Los útiles de dimensiones incorrectas no pueden protegerse ni controlarse con suficiente seguridad.

g) Las dimensiones de la montura del accesorio debe coincidir con las dimensiones de la pieza de alojamiento de la herramienta eléctrica. Los accesorios que no se acoplen perfectamente en el mandril de montaje del aparato se desequilibran, vibran excesivamente y pueden causar la pérdida de control sobre la herramienta.

h) No use útiles dañados. Antes de cada uso inspeccione el estado de los útiles con el fin de detectar, p. ej., si están desportillados o fisurados los útiles de amolar, si está agrietado o muy desgastado el plato lijador, o si las puas de los cepillos de alambre están flojas o rotas. Si se le cae la herramienta eléctrica o el útil, inspeccione si han sufrido algún daño o monte otro útil en correctas condiciones. Una vez controlado y montado el útil sitúese Vd. y las personas circundantes fuera del plano de rotación del útil y deje funcionar la herramienta eléctrica en vacío, a las revoluciones máximas, durante un minuto. Por lo regular, aquellos útiles que estén dañados suelen romperse al realizar esta comprobación.

i) Utilice un equipo de protección personal. Dependiendo del trabajo a realizar use una careta, una protección para los ojos, o unas gafas de protección. Si procede, emplee una mascarilla antipolvo, protectores auditivos, guantes de protección o un mandil especial adecuado para protegerle de los pequeños fragmentos que pudieran salir proyectados al desprenderse del útil o pieza. La protección ocular debe ser capaz de detener restos proyectados generados por diversas aplicaciones. La mascarilla antipolvo o el respirador deben poder filtrar las partículas generadas por la aplicación en particular. La exposición prolongada a ruidos de alta intensidad puede causar pérdida de la capacidad auditiva.

j) Cuide que las personas en las inmediaciones se mantengan a suficiente distancia de la zona de trabajo. Toda persona que acceda a la zona de trabajo deberá utilizar un equipo de protección personal. Podrían ser lesionadas, incluso fuera del área de trabajo inmediato, al salir proyectados fragmentos de la pieza de trabajo o del útil.

k) Sujete el aparato de las superficies aisladas de agarre al efectuar trabajos en los cuales la perforadora de percusión pueda entrar en contacto con conductores de corriente ocultos. El contacto de la perforadora de percusión con un conducto con energía aplicada también podrá poner bajo tensión partes metálicas del aparato y causar un choque eléctrico.

l) No deposite jamás la herramienta eléctrica antes de que la herramienta intercambiable haya dejado de girar por completo. El útil en funcionamiento puede llegar a tocar la base de apoyo y hacerle perder el control sobre la herramienta eléctrica.

m) No deje funcionar la herramienta eléctrica mientras la transporta. El útil en funcionamiento podría lesionarle al engancharse accidentalmente con su vestimenta.

n) Limpie periódicamente las rejillas de refrigeración de su herramienta eléctrica. El ventilador del motor aspira polvo hacia el interior de la carcasa, por lo que, en caso de una acumulación

fuerte de polvo metálico, ello puede provocar una descarga eléctrica.

o) No utilice la herramienta eléctrica cerca de materiales combustibles. Las chispas producidas al trabajar pueden llegar a incendiar estos materiales.

p) No emplee útiles que requieran ser refrigerados con líquidos. La aplicación de agua u otros refrigerantes líquidos puede comportar una descarga eléctrica.

Retroceso y advertencias relacionadas:

El rechazo es un reacción brusca que se produce al atascarse o engancharse el útil, como un disco de amolar, plato lijador, cepillo, etc. Al atascarse o engancharse el útil en funcionamiento, éste es frenado bruscamente. Ello puede hacerle perder el control sobre la herramienta eléctrica y hacer que ésta salga impulsada en dirección opuesta al sentido de giro que tenía el útil.

En el caso, p. ej., de que un disco amolador se atasque o bloquee en la pieza de trabajo, puede suceder que el canto del útil que penetra en el material se enganche, provocando la rotura del útil o el rechazo del aparato. Según el sentido de giro y la posición del útil en el momento de bloquearse puede que éste resulte despedido hacia, o en sentido opuesto al usuario. En estos casos puede suceder que el útil incluso llegue a romperse.

El rechazo es ocasionado por la aplicación o manejo incorrecto de la herramienta eléctrica. Es posible evitarlo ateniéndose a las medidas preventivas que a continuación se detallan.

a) Sujete con firmeza la herramienta eléctrica y mantenga su cuerpo y brazos en una posición propicia para resistir las fuerzas de reacción. Si forma parte del aparato, utilice siempre la empuñadura adicional para poder soportar mejor las fuerzas del rechazo, además de los pares de reacción que se presentan en la puesta en marcha. El usuario puede controlar las fuerzas del rechazo y de reacción si toma unas medidas preventivas oportunas.

b) Jamás aproxime su mano al útil en funcionamiento. El accesorio puede hacer un contragolpe en la mano.

c) No se sitúe dentro del área hacia el que se movería la herramienta eléctrica al ser rechazada. Al resultar rechazada, la herramienta eléctrica saldrá despedida desde el punto de bloqueo en dirección opuesta al sentido de giro del útil.

d) Tenga especial precaución al trabajar esquinas, cantos afilados, etc. Evite que el útil de amolar rebote contra la pieza de trabajo o que se atasque. En las esquinas, cantos afilados, o al rebotar, el útil en funcionamiento tiende a atascarse. Ello puede hacerle perder el control o causar un rechazo del útil.

e) No use hojas de cadena cortante o dentadas. Estas herramientas intercambiables generan con frecuencia un contragolpe o la pérdida del control sobre la herramienta eléctrica.

Instrucciones de seguridad específicas para operaciones de amolado y tronzado

a) Utilice únicamente tipos de discos que sean específicos para su herramienta eléctrica y la guarda específica diseñada para el disco seleccionado. Los útiles que no fueron diseñados para su uso en esta herramienta eléctrica pueden quedar insuficientemente protegidos y suponen un riesgo.

b) Discos lijadores con centro rebajado deberán montarse de tal forma que su superficie abrasiva no sobresalga la superficie del borde de la cubierta protectora. Un disco lijador montado de forma no apropiada, que sobresalga de la superficie del borde de la cubierta protectora, no podrá ser protegido de manera suficiente.

c) Siempre emplee la caperuza protectora prevista para el útil que va a usar. La caperuza protectora deberá montarse firmemente en la herramienta eléctrica cuidando que quede orientada de manera que ofrezca una seguridad máxima, o sea, cubriendo al máximo la parte del útil a la que queda expuesta el usuario. El protector ayuda a proteger al operario de los fragmentos rotos de disco, del contacto accidental con el disco y las chispas que podrían prender la ropa.

d) Los discos deben utilizarse únicamente para las aplicaciones especificadas. Por ejemplo: no desbaste con el lado del disco de corte. En los útiles de tronzar, el arranque de material se

lleva a cabo con los bordes del disco. Si estos útiles son sometidos a un esfuerzo lateral, ello puede provocar su rotura.

e) Siempre use para el útil seleccionado una brida en perfecto estado con las dimensiones y forma correctas. Una brida adecuada soporta convenientemente el útil reduciendo así el peligro de rotura. Las bridas para discos tronzoadores pueden ser diferentes de aquellas para otros discos de amolar.

f) No intente aprovechar los discos amoladores de otras herramientas eléctricas más grandes, aunque su diámetro exterior se haya reducido suficientemente por el desgaste. Un disco destinado a una herramienta eléctrica de mayor tamaño no es apropiado para las velocidades más elevadas de una herramienta más pequeña y podría estallar.

g) Al utilizar discos de doble uso, utilice siempre la guarda correcta para la aplicación que se esté llevando a cabo. Si no se utiliza la guarda correcta, esto podría no ofrecer el nivel de protección deseado, lo cual podría causar lesiones graves.

Advertencias de seguridad adicionales específicas para las operaciones de corte abrasivo:

a) Evite que se bloquee el disco tronizador y una presión de aplicación excesiva. No intente realizar cortes demasiado profundos. Al solicitar en exceso el disco tronizador éste es más propenso a ladearse, bloquearse, a ser rechazado, o a romperse.

b) No se coloque delante o detrás del disco tronizador en funcionamiento, alineado con la trayectoria del corte. Mientras que al cortar, el disco tronizador es guiado en sentido opuesto a su cuerpo, en caso de un rechazo el disco tronizador y la herramienta eléctrica son impulsados directamente contra Vd.

c) Si el disco tronizador se bloquea, o si tuviese que interrumpir su trabajo, desconecte la herramienta eléctrica y manténgala en esa posición, sin moverla, hasta que el disco tronizador se haya detenido por completo. Jamás intente sacar el disco tronizador en marcha de la ranura de corte, ya que ello podría provocar un rechazo. Investigue y subsane la causa del bloqueo.

d) No intente proseguir el corte, estando insertado el disco tronizador en la ranura de corte. Una vez fuera de la ranura de corte, espere a que el disco tronizador haya alcanzado las revoluciones máximas, y prosiga entonces el corte con cautela. En caso contrario el disco tronizador podría bloquearse, salirse de la ranura de corte, o resultar rechazado.

e) Soporte las planchas u otras piezas de trabajo grandes para reducir el riesgo de bloqueo o rechazo del disco tronizador. Las piezas de trabajo grandes tienden a curvarse por su propio peso. La pieza de trabajo deberá apoyarse desde abajo a ambos lados tanto cerca de la línea de corte como en los bordes.

f) Proceda con especial cautela al realizar recortes "por inmersión" en paredes existentes o en zonas de reducida visibilidad. El disco tronizador puede ser rechazado al tocar tuberías de gas o agua, conductores eléctricos, u otros objetos.

g) No intente llevar a cabo cortes curvos. Ejercer estrés en exceso sobre el disco aumenta la carga y la susceptibilidad del disco a doblarse o atascarse en el corte y la posibilidad de retroceso o rotura del disco, lo que puede causar lesiones graves.

Advertencias de seguridad específicas para las operaciones de lijado:

a) Utilice discos de papel de lija de tamaño adecuado. Siga las recomendaciones del fabricante a la hora de seleccionar el papel de lija. El papel de lija de grandes dimensiones que se extienda más allá de la almohadilla de lijado representa un peligro de laceración y podría causar enganches, roturas o el retroceso del disco.

Advertencias de seguridad específicas para las operaciones de cepillado con alambre:

a) Tenga en cuenta que las púas de los cepillos de alambre pueden desprenderse también durante un uso normal. No fuerce las púas ejerciendo una fuerza de aplicación excesiva. Las púas desprendidas pueden traspasar muy fácilmente tela delgada y/o la piel.

b) Si se especifica el uso de una guarda para el cepillado con alambre, no permita interferencia alguna del disco de

alambre o del cepillo con la guarda. Los cepillos de plato y de vaso pueden aumentar su diámetro por efecto de la presión de aplicación y de la fuerza centrífuga.

INSTRUCCIONES ADICIONALES DE SEGURIDAD Y LABORALES

¡Siempre verifique que el botón de bloqueo del husillo esté completamente liberado antes de encender la herramienta! Después de usar el bloqueo del husillo para apretar / aflojar el disco abrasivo, puede ser que el botón se quede en la posición de bloqueo.

Al amolar metales se proyectan chispas. Cuidar de no poner en peligro a personas. Debido al peligro de incendio no deben encontrarse cerca (en el área de alcance de las chispas) materiales inflamables. No utilice extracción de polvo en este caso.

Evite que chispas y polvo de pulido puedan alcanzar el cuerpo. No manipular en el rodillo ni en las cuchillas con la máquina conectada.

Nunca se debe intentar limpiar el polvo o viruta procedente del taladrado con la máquina en funcionamiento.

Desconectar inmediatamente el aparato al presentarse vibraciones fuertes u otras anomalías. Examine la máquina para determinar las posibles causas.

En condiciones extremas (p. ej., esmerilado liso de metales con el mandril y el disco de fibra vulcanizada), se puede acumular una contaminación significativa en el interior de la esmeriladora.

Evite que cualquier pieza metálica alcance las ranuras de ventilación - ¡peligro de cortocircuito!

ADVERTENCIA! ¡Peligro de quemaduras! El disco y la pieza de trabajo se calentarán durante el uso. Use guantes cuando cambie discos o toque la pieza de trabajo. Mantenga las manos alejadas del área de desbaste en todo momento.

ADVERTENCIA! Para reducir el riesgo de incendio, lesiones personales y daños al producto debido a un cortocircuito, no sumerja nunca la herramienta, el paquete de baterías o el cargador en líquido ni permita que fluya un fluido dentro de ellos. Los fluidos corrosivos o conductivos, como el agua de mar, ciertos productos químicos industriales y blanqueadores o lejías que contienen, etc., Pueden causar un cortocircuito.

No abra nunca las baterías ni los cargadores y guárdelos sólo en lugares secos. Protéjalos de la humedad en todo momento.

Recargar solamente los acumuladores del Sistema M18 en cargadores M18. No intentar recargar acumuladores de otros sistemas.

APLICACIÓN DE ACUERDO A LA FINALIDAD

La amoladora angular está diseñada para moler y cortar metal, piedra, hormigón y materiales cerámicos, así como para lijar y cepillar con alambre.

Utilice la tapa de corte de la gama de accesorios para la aplicación de corte.

En caso de dudas, observe las indicaciones de los fabricantes de los accesorios.

La herramienta eléctrica sirve únicamente para el trabajo en seco

Solo deben montarse discos de desbaste o corte apropiados y protectores relacionados (protector de desbaste o de corte), como se describe en la sección de especificaciones del producto de este manual. La amoladora angular está diseñada para uso portátil; no debe montarse en un dispositivo o banco de trabajo.

No use el producto de ninguna manera que no sea la indicada para el uso previsto.

PELIGROS RESIDUALES

Incluso en caso de un uso correcto, no es posible excluir por completo la existencia de riesgos residuales. Durante el uso de la máquina se pueden producir los siguientes riesgos a tener en cuenta especialmente por el operador de la misma.

- Lesiones provocadas por efecto de la vibración. Sujete el dispositivo utilizando las empuñaduras previstas para ello y limite el tiempo de trabajo y de exposición a riesgos.
- La contaminación acústica puede provocar lesiones auditivas.

Lleve una protección auditiva y limite el tiempo de exposición a riesgos.

- Lesiones oculares producidas por partículas de suciedad. Lleve siempre gafas protectoras, pantalones resistentes y largos y calzado resistente.
- Inhalación de polvos tóxicos.

INDICACIONES PARA BATERÍAS DE IONES DE LITIO

Uso de baterías de iones de litio

Las baterías no utilizadas durante cierto tiempo deben ser recargadas antes de usar.

Las temperaturas superiores a 50°C reducen el rendimiento de la batería. Evite una exposición excesiva a fuentes de calor o al sol (riesgo de sobrecalentamiento).

Los puntos de contacto de los cargadores y las baterías se deben mantener limpios.

Para un tiempo óptimo de vida, deberán cargarse las baterías completamente después de su uso.

Para garantizar la máxima capacidad y vida útil, las baterías recargables se deberían retirar del cargador una vez finalizada la carga.

En caso de almacenar la batería recargable más de 30 días: Guarde la batería en un lugar con una temperatura inferior a 27 °C y lejos de la humedad.

Almacenar la batería recargable con un estado de carga del 30% y 50% aproximadamente.

Recargar la batería cada 6 meses.

Protección de sobrecarga de baterías en baterías de iones de litio

En caso de sobrecarga de la batería a causa de un consumo de corriente demasiado elevado, por ejemplo, en momentos de torsión extremadamente altos, de una parada o cortocircuito repentinos; el aparato eléctrico vibra durante 5 segundos, el indicador de carga parpadea y el aparato eléctrico se desconecta automáticamente.

Para conectarlo de nuevo, soltar el botón de encendido y después conectarlo otra vez. Bajo cargas extremas la batería se calienta demasiado. En este caso, todas las luces del indicador de carga parpadean hasta que la batería se enfría. Cuando se apaga el indicador de carga se puede trabajar de nuevo.

Transporte de baterías de iones de litio

Las baterías de iones de litio caen bajo las disposiciones legales relativas al transporte de mercancías peligrosas.

El transporte de estas baterías recargables debe llevarse a cabo, observando las normas y disposiciones locales, nacionales e internacionales.

Los consumidores pueden transportar estas baterías recargables sin el menor reparo en la calle.

El transporte comercial de baterías recargables de iones de litio por empresas de transportes está sometido a las disposiciones del transporte de mercancías peligrosas. Las preparaciones para el envío y el transporte deben ser llevados a cabo exclusivamente por personas instruidas adecuadamente. El proceso completo debe ser supervisado por personal competente.

Los siguientes puntos se deben observar para el transporte de las baterías recargables:

Se debe asegurar que los contactos estén protegidos y aislados para evitar que se produzcan cortocircuitos.

Preste atención a que el conjunto de baterías recargables no se pueda desplazar dentro del envase. Las baterías recargables deterioradas o derramadas no se deben transportar. Rogamos que para cualquier información adicional se dirija a su empresa de transportes.

INDICACIONES PARA EL TRABAJO

En las herramientas que llevan una muela con agujero roscado, cerciórese de que la rosca en la muela es lo suficientemente larga para aceptar la longitud del vástago.

Utilice y guarde siempre los discos de amolar y las muelas de tronzar según las indicaciones del fabricante.

Utilice siempre la cubierta de protección en trabajos de desbaste y separación.

Discos lijadores con centro rebajado deberán montarse de tal forma que su superficie abrasiva no sobresalga la superficie del borde de la cubierta protectora.

La tuerca de apriete se debe asegurar antes de comenzar a trabajar con la máquina.

Emplear siempre el asidero adicional.

La pieza de trabajo debe fijarse adecuadamente, a no ser que se mantenga bien fija por su propio peso. Jamás mueva la pieza de trabajo con la mano contra el disco.

La tuerca de brida debe estar apretada firmemente antes de la puesta en marcha de la máquina. En caso de que el útil no se apriete firmemente con la tuerca de brida, existe la posibilidad de que el útil pierda la fuerza de apriete necesaria durante el frenado.

PROTECCIÓN CONTRA SOBRECARGA Y GOLPE DE RETROCESO

El equipo dispone de una función protectora contra overload y anti-kickback y se detiene en caso de la correspondiente sobrecarga. Desconectar la herramienta eléctrica y luego volver a encenderla para seguir trabajando.

ARRANQUE SUAVE

Arranque suave electrónico, para una segura manejabilidad, evita un brusco retroceso al conectar la máquina.

SISTEMA DE FRENADO

El freno de inercia se activa cuando se suelta el gatillo, lo que hace que la herramienta se detenga en segundos.

Asegúrese de que la herramienta de inserción se detenga por completo antes de dejarla.

En comparación con las herramientas sin freno de inercia, el tiempo de inercia se reducirá en gran medida mediante el frenado.

LIMPIEZA

Las ranuras de ventilación de la máquina deben estar despejadas en todo momento.

MANTENIMIENTO

Utilice solamente accesorios y repuestos Milwaukee. En caso de necesitar reemplazar componentes no descritos, contacte con cualquiera de nuestras estaciones de servicio Milwaukee (consultar lista de servicio técnicos)

En caso necesario, puede solicitar un despiece de la herramienta. Por favor indique el número de impreso que hay en la etiqueta y pida el despiece a la siguiente dirección: Technonic Industries GmbH, Max-Eyth-Straße 10, 71364 Winnenden, Germany.

SÍMBOLOS

	Lea las instrucciones detenidamente antes de conectar la herramienta
	¡ATENCIÓN! ¡ADVERTENCIA! ¡PELIGRO!
	Retire la batería antes de comenzar cualquier trabajo el aparato.
	No utilice la guarda para operaciones de corte.
	No aplique fuerza.
	Aplique fuerza.
	Para trabajar con la máquina, utilizar siempre gafas de protección.
	¡Utilice protección auditiva!
	Utilice por ello una máscara protectora contra polvo.
	Usar guantes protectores
	Utilice siempre la herramienta con dos manos.
	Únicamente para trabajos de pulido.
	Únicamente para trabajos de separación.
	Preste atención al grosor permitido del disco.

	Accesorio - No incluido en el equipo estándar, disponible en la gama de accesorios.
	Dirección de rotación
	Los residuos de pilas y de aparatos eléctricos y electrónicos no se deben desechar junto con la basura doméstica. Los residuos de pilas y de aparatos eléctricos y electrónicos se deben recoger y desechar por separado. Retire los residuos de pilas y acumuladores, así como las fuentes de iluminación de los aparatos antes de desecharlos. Infórmese en las autoridades locales o en su distribuidor especializado sobre los centros de reciclaje y los puntos de recogida. Dependiendo de las disposiciones locales al respecto, los distribuidores minoristas pueden estar obligados a aceptar de forma gratuita la devolución de residuos de pilas, aparatos eléctricos y electrónicos. Contribuya mediante la reutilización y el reciclaje de sus residuos de pilas y de aparatos eléctricos y electrónicos a reducir la demanda de materias primas. Los residuos de pilas (sobre todo de pilas de iones de litio) y de aparatos eléctricos y electrónicos contienen valiosos materiales reutilizables que pueden tener efectos negativos para el medio ambiente y su salud si no son desechados de forma respetuosa con el medio ambiente. Antes de desecharlos, elimine los datos personales que podría haber en los residuos de sus aparatos.
n	Revoluciones nominales
V	Tensión
	Corriente continua
	Marcado de conformidad europeo
	Marcado de conformidad británico
	Marcado de conformidad ucraniano
	Marcado de conformidad euroasiático

CARACTERÍSTICAS TÉCNICAS	M18 BLSAG125X	M18 BLSAG115XPD	M18 BLSAG125XPD
Tipo	Rebarbadora Angular a Batería	Rebarbadora Angular a Batería	Rebarbadora Angular a Batería
Número de produção	4972 15 01 XXXXXX MJJJJ	4972 25 01 XXXXXX MJJJJ	4972 35 01 XXXXXX MJJJJ
Tensão do acumulador	18 V	18 V	18 V
Número de rotações nominal	11000 min ⁻¹	11000 min ⁻¹	11000 min ⁻¹
Rosca do veio de trabalho	M14	M14	M14
D=Diámetro do disco no máx.	125 mm	115 mm	125 mm
d=Ø do orifício	22,2 mm	22,2 mm	22,2 mm
	b=Espessura do rebolo de lixa no máx.	6 mm	6 mm
	b=Espessura do rebolo separador no máx. / no mín.	3 mm / 1 mm	3 mm / 1 mm
	D=Diámetro do disco abrasivo no máx.	125 mm	115 mm
	D=Diámetro da superfície da escova tipo copo no máx.	75 mm	75 mm
Peso nos termos do procedimento-EPTA 01/2014 (Li-Ion 2,0 Ah ... 12,0 Ah)	2,2 ... 3,3 kg	2,2 ... 3,3 kg	2,2 ... 3,3 kg
Temperatura ambiente recomendada para a operação	-18 ... +50 °C	-18 ... +50 °C	-18 ... +50 °C
Conjuntos de baterias recomendados	M18B...; M18HB...	M18B...; M18HB...	M18B...; M18HB...
Carregadores recomendados	M12-18...; M1418C6	M12-18...; M1418C6	M12-18...; M1418C6
Informações sobre ruído: Valores de medida de acordo com EN 62841.			
O nível de ruído avaliado A do aparelho é tipicamente:			
Nível da pressão de ruído / Incerteza K	92,51 dB (A) / 3 dB (A)	92,51 dB (A) / 3 dB (A)	92,51 dB (A) / 3 dB (A)
Nível da potência de ruído / Incerteza K	100,51 dB (A) / 3 dB (A)	100,51 dB (A) / 3 dB (A)	100,51 dB (A) / 3 dB (A)
Use protectores auriculares!			
Informações sobre vibração: Valores totais de vibração (soma dos vectores das três direcções) determinadas conforme EN 62841.			
Valor de emissão de vibração a _n / Incerteza K			
Lixamento superficial	6,30 m/s ² / 1,5 m/s ²	7,10 m/s ² / 1,5 m/s ²	7,10 m/s ² / 1,5 m/s ²
Rectificar com disco abrasivo	1,97 m/s ² / 1,5 m/s ²	1,82 m/s ² / 1,5 m/s ²	1,82 m/s ² / 1,5 m/s ²
Em caso de outras aplicações, como p.ex. separar por rectificação ou lixar com escova de arame, podem resultar outros valores de vibração!			

ATENÇÃO!

O nível de emissão de ruído e vibração fornecido nesta ficha de informações foi medido de acordo com um teste padronizado que se encontra na norma EN 62841, podendo ser utilizado para fazer comparações entre ferramentas. Pode ser utilizado para fazer uma avaliação preliminar da exposição.

O nível de emissão de ruído e vibração declarado representa as principais aplicações da ferramenta. No entanto, se a ferramenta for utilizada para aplicações diferentes ou com acessórios distintos, ou se a sua manutenção for deficiente, a emissão de ruídos e vibrações poderá diferir. Isso poderá aumentar significativamente o nível de exposição ao longo do período de trabalho total.

A estimativa do nível de exposição à vibração e ruído também deve ter em conta os tempos em que a ferramenta, quer desligada quer em funcionamento, não está realmente a trabalhar. Isso poderá reduzir significativamente o nível de exposição ao longo do período de trabalho total.

Identifique medidas de segurança adicionais para proteger o operador contra os efeitos da vibração e/ou ruído, tais como: fazer a manutenção da ferramenta e dos acessórios, manter as mãos quentes, organizar padrões de trabalho.

ATENÇÃO! Leia todas as instruções de segurança e todas as instruções. O desrespeito das advertências e instruções apresentadas abaixo pode causar choque eléctrico, incêndio e/ou graves lesões.

Guarde bem todas as advertências e instruções para futura referência.

INSTRUÇÕES DE SEGURANÇA PARA AFIADORAS ANGULARES

Indicações de aviso gerais para lixar, lixar com lixa de papel, trabalhar com escovas de arame, polir e separar por rectificação:

a) Esta ferramenta eléctrica pode ser utilizada como lixadeira, lixadeira com lixa de papel e máquina para separar por rectificação. Observar todas as indicações de aviso, instruções, apresentações e dados fornecidos com a ferramenta eléctrica. O desrespeito das seguintes instruções pode levar a um choque eléctrico, incêndio e/ou graves lesões.

b) Esta ferramenta eléctrica não é adequada para para polir. Utilizações, para as quais a máquina não tenha sido prevista, podem causar perigos e ferimentos.

c) Não converta esta ferramenta eléctrica para funcionar de outra forma que não aquela para a qual foi especificamente concebida e especificada pelo fabricante. Tal conversão poderá resultar numa perda de controlo e provocar lesões pessoais graves.

d) Não utilizar acessórios, que não foram especialmente previstos e recomendados pelo fabricante para serem utilizados com esta ferramenta eléctrica. O facto de poder fixar o acessório a esta ferramenta eléctrica, não garante uma aplicação segura.

e) As rotações admissíveis da ferramenta de trabalho devem ser pelo menos tão elevadas como as rotações máximas indicadas na ferramenta eléctrica. Os acessórios que rodam mais rapidamente do que o permitido podem partir-se e ser projectados.

f) O diâmetro exterior e a espessura da ferramenta de trabalho devem corresponder às indicações de medida da sua ferramenta eléctrica. Ferramentas de trabalho incorrectamente medidas podem não ser suficientemente blindadas nem controladas.

g) As dimensões do encaixe do acessório terão de corresponder às dimensões do encaixe de montagem na ferramenta eléctrica. Peças de acessório que não caibam no mandril de montagem do aparelho, operam de forma desequilibrada, vibram excessivamente e podem levar à perda do controlo sobre a ferramenta.

h) Não utilizar ferramentas de trabalho danificadas. Antes de cada utilização deverá controlar as ferramentas de trabalho, e verificar se por exemplo os discos abrasivos apresentam fissuras e estilhaços, se pratos abrasivos apresentam fissuras, se há desgaste ou forte atrição, se as escovas de arame apresentam arames soltos ou quebrados. Se a ferramenta eléctrica ou a ferramenta de trabalho caírem, deverá verificar se sofreram danos, ou trocar por uma ferramenta de trabalho intacta. Após ter controlado e introduzido a ferramenta de trabalho, deverá manter-se, e as pessoas que se encontrem nas proximidades, fora do nível de rotação da ferramenta de trabalho e permitir que a ferramenta eléctrica funcione durante um minuto com o máximo número de rotação. A maioria das ferramentas de trabalho danificadas quebram durante este período de teste.

i) Utilizar um equipamento de protecção pessoal. De acordo com a aplicação, deverá utilizar uma protecção para todo o rosto, protecção para os olhos ou um óculos protector. Se for necessário, deverá utilizar uma máscara contra pó, protecção auricular, luvas de protecção ou um avental especial, para proteger-se de pequenas partículas de amoladura e de material. A protecção ocular terá de ser suficientemente eficaz para impedir a passagem dos detritos projetados por várias aplicações. A máscara de protecção contra poeiras ou o respirador terão de poder filtrar as partículas geradas por cada aplicação específica. A exposição prolongada a ruídos de alta intensidade pode resultar em perda de audição.

j) Observe que as outras pessoas mantenham uma distância segura em relação ao seu local de trabalho. Cada pessoa que entrar na área de trabalho, deverá usar um equipamento de protecção pessoal. Estilhaços da peça a ser trabalhada ou ferramentas de trabalho quebradas podem voar e causar lesões fora da área imediata de trabalho.

k) Segure o aparelho nas superfícies de punho isoladas se estiver a executar trabalhos, nos quais a ferramenta de corte pode tocar em linhas eléctricas escondidas. O contacto da ferramenta de corte com uma linha sob tensão também pode colar peças metálicas do aparelho sob tensão e levar a um choque eléctrico.

l) Nunca pouse a ferramenta eléctrica antes de a ferramenta de trabalho parar completamente. A ferramenta de trabalho em rotação pode entrar em contacto com a superfície de apoio, provocando uma perda de controlo da ferramenta eléctrica.

m) Não permitir que a ferramenta eléctrica funcione enquanto estiver a transportá-la. A sua roupa pode ser agarrada devido a

um contacto accidental com a ferramenta de trabalho em rotação, de modo que a ferramenta de trabalho possa ferir o seu corpo.

n) Limpar regularmente as aberturas de ventilação da sua ferramenta eléctrica. A ventoinha do motor puxa pó para dentro da carcaça, e uma grande quantidade de pó de metal pode causar perigos eléctricos.

o) Não utilizar a ferramenta eléctrica perto de materiais inflamáveis. Faiscas podem incendiar estes materiais.

p) Não utilizar ferramentas de trabalho que necessitem agentes de refrigeração líquidos. A utilização de água ou de outros agentes de refrigeração líquidos pode provocar um choque eléctrico.

Efeito de recuo da ferramenta e advertências relacionadas com o mesmo:

ContraGolpe é uma repentina reacção devido a uma ferramenta de trabalho travada ou bloqueada, como por exemplo um disco abrasivo, um prato abrasivo, uma escova de arame etc. Um travamento ou um bloqueio levam a uma parada abrupta da ferramenta de trabalho em rotação. Desta maneira, uma ferramenta eléctrica descontrolada pode ser acelerada no local de bloqueio, sendo forçada no sentido contrário da rotação da ferramenta de trabalho.

Se por exemplo um disco abrasivo travar ou bloquear numa peça a ser trabalhada, o canto do disco abrasivo pode mergulhar na peça a ser trabalhada e encravar-se, quebrando o disco abrasivo ou causando um contra-golpe. O disco abrasivo se movimentará então no sentido do operador ou para longe deste, dependendo do sentido de rotação do disco no local do bloqueio. Sob estas condições os discos abrasivos também podem partir-se.

Um contra-golpe é a consequência de uma utilização incorrecta ou indevida da ferramenta eléctrica. Ele pode ser evitado por apropriadas medidas de precaução como descrito a seguir.

a) Segurar firmemente a ferramenta eléctrica e posicionar o seu corpo e os braços de modo que possa resistir às forças de um contra-golpe. Sempre utilizar o punho adicional, se existente, para assegurar o máximo controlo possível sobre as forças de um contra-golpe ou sobre momentos de reacção durante o arranque. O operador pode controlar as forças de contra-golpe e as forças de reacção através de medidas de precaução apropriadas.

b) Jamais permita que as suas mãos se encontrem perto de ferramentas de trabalho em rotação. O acessório pode recuar e atingir a sua mão.

c) Evite que o seu corpo se encontre na área, na qual a ferramenta eléctrica possa ser movimentada no caso de um contra-golpe. O contra-golpe força a ferramenta eléctrica no sentido contrário ao movimento do disco abrasivo no local do bloqueio.

d) Trabalhar com especial cuidado na área ao redor de esquinas, cantos afiados etc. Evite que ferramentas de trabalho sejam ricocheteadas e travadas pela peça a ser trabalhada. A ferramenta de trabalho em rotação tende a travar em esquinas, em cantos afiados ou se for ricocheteada. Isto causa uma perda de controlo ou um contra-golpe.

e) Não utilize lâminas de corrente ou lâminas de serra dentadas. Estas ferramentas de trabalho provocam frequentemente uma repercussão ou a perda do controlo sobre a ferramenta eléctrica.

Instruções especiais de segurança específicas para lixar e separar por rectificação

a) Utilize apenas discos dos tipos especificados para a sua ferramenta eléctrica e a protecção especificamente concebida para cada disco selecionado. Corpos abrasivos não previstos para a ferramenta eléctrica, não podem ser suficientemente protegidos e portanto não são seguros.

b) Discos abrasivos dobrados devem ser montados, de forma que a sua superfície abrasiva não sobressaia além do nível da margem da tampa de protecção. Não é possível blindar suficientemente um disco abrasivo montado incorrectamente, que sobressaia além do nível da margem da tampa de protecção.

c) Sempre utilizar a capa de protecção, prevista para o tipo de corpo abrasivo utilizado. A capa de protecção deve ser firmemente aplicada na ferramenta eléctrica e fixa, de modo

que seja alcançado um máximo de segurança, ou seja, que apenas uma mínima parte do corpo abrasivo aponte abertamente na direcção do operador. A protecção ajuda a proteger o operador contra estilhaços do disco de corte, contacto accidental com o disco de corte e faíscas que poderiam incendiar o vestuário.

d) Os discos só poderão ser utilizados para as aplicações especificadas. Por exemplo: não retifique peças de trabalho com a parte lateral do disco de corte. Disco de corte são destinados para o desbaste de material com o canto do disco. Uma força lateral sobre estes corpos abrasivos pode quebrá-los.

e) Sempre utilizar flanges de aperto intactos de tamanho e forma correctos para o disco abrasivo seleccionado. Flanges apropriados apoiam o disco abrasivo e reduzem assim o perigo de uma ruptura do disco abrasivo. Flanges para discos de corte podem diferenciarse de flanges para outros discos abrasivos.

f) Não utilizar discos abrasivos gastos de outras ferramentas eléctricas maiores. Os discos destinados a ferramenta eléctricas de maiores dimensões não são adequados para as velocidades mais elevadas das ferramentas mais pequenas, pelo que poderão partir-se.

g) Ao utilizar discos de dupla finalidade, utilize sempre a protecção correcta para a aplicação que estiver a ser executada. Se não for utilizada a protecção correcta, o nível de protecção poderá ser inferior ao pretendido, o que, por sua vez, poderá resultar na ocorrência de ferimentos graves.

Avisos de segurança adicionais específicos para operações de corte abrasivas:

a) Evitar um bloqueio do disco de corte ou uma força de pressão demasiado alta. Não efectuar cortes extremamente profundos. Uma sobrecarga do disco de corte aumenta o desgaste e a predisposição para emperrar e bloquear e portanto a possibilidade de um contra-golpe ou uma ruptura do corpo abrasivo.

b) Evitar a área que se encontra na frente ou atrás do disco de corte em rotação. Se o disco de corte for conduzido na peça a ser trabalhada, para frente, afastandose do corpo, é possível que no caso de um contra-golpe a ferramenta eléctrica, junto com o disco em rotação, seja atirada directamente na direcção da pessoa a operar o aparelho.

c) Se o disco de corte emperrar ou se o trabalho for interrompido, deverá desligar a ferramenta eléctrica e mantê-la parada, até o disco parar completamente. Jamais tentar puxar o disco de corte para fora do corte enquanto ainda estiver em rotação, caso contrário poderá ser provocado um contra-golpe. Verificar e eliminar a causa do emperramento.

d) Não ligar novamente a ferramenta eléctrica, enquanto ainda estiver na peça a ser trabalhada. Permita que o disco de corte alcance o seu completo número de rotação, antes de continuar cuidadosamente a cortar. Caso contrário é possível que o disco emperre, pule para fora da peça a ser trabalhada ou cause um contra-golpe.

e) Apoiar placas ou peças grandes, para reduzir um risco de contra-golpe devido a um disco de corte emperrado. Peças grandes podem curvarse devido ao próprio peso. A peça a ser trabalhada deve ser apoiada de ambos os lados, tanto nas proximidades do corte como também nos cantos.

f) Tenha muito cuidado ao fazer "cortes de bolsa" em paredes existentes ou outras áreas não visíveis. O disco de corte pode causar um contra-golpe se cortar accidentalmente tubulações de gás ou de água, cabos eléctricos ou outros objectos.

g) Não tente fazer cortes curvos. A sobrecarga do disco aumenta a pressão exercida sobre o mesmo, tornando-o suscetível a torcer-se ou a dobrar-se no corte, a produzir um efeito de recuo, ou a partir-se, o que poderá resultar em lesões graves.

Avisos de segurança específicos para operações de lixagem:

a) Utilize discos de lixa de tamanho adequado. Ao seleccionar a lixa, siga as recomendações do fabricante. A utilização de uma lixa de tamanho superior ao do suporte implica um risco de laceração, que poderá resultar em paragens, rasgos ou efeitos de recuo do disco.

Avisos de segurança específicos para operações de escovagem com escova de arame:

a) Observe que a escova de arame também perde cerdas durante a utilização normal. Não aplique uma força de pressão muito forte nos arames. Cerdas ejectadas podem penetrar facilmente em roupa leve e/ou na pele.

b) Se for especificada a utilização de uma protecção nas aplicações de escovagem com escova de arame, não permita que haja qualquer contacto entre o disco ou a escova de arame e a respetiva protecção. O diâmetro das escovas em forma de prato ou de tacho pode aumentar devido à força de pressão e às forças centrífugas.

INSTRUÇÕES DE SEGURANÇA E TRABALHO SUPLEMENTARES

Antes de ligar a ferramenta, verifique sempre se o botão de bloqueio do eixo está completamente solto! Depois de utilizar o bloqueio do eixo para apertar / afrouxar o disco abrasivo, é possível que o botão fique preso na posição de bloqueio.

Ao lixar metais, voam faíscas. Observe que ninguém seja posto em perigo. Devido ao perigo de incêndio não devem encontrar-se materiais inflamáveis nas proximidades (área de voo de faíscas). Não utilize sistema de extracção de poeiras.

Evitar o contacto de faíscas e pó de lixar com o corpo.

Não introduza as mãos na área perigosa, estando a máquina em funcionamento.

Não remover aparas ou lascas enquanto a máquina trabalha.

Desligar imediatamente o aparelho, se ocorrerem grandes oscilações ou se forem observadas outras avarias. Controlar a máquina para determinar a causa.

Em condições extremas (por exemplo, metais que obriguem a esmeril suave, utilizando o disco com protecção e fibra vulcanizada), é possível que se acumule uma quantidade significativa de material contaminante no interior da rebarbadora.

Não deixe que peças metálicas toquem nas fendas de circulação de ar - perigo de curto-circuitos.

ATENÇÃO! Perigo de queimar-se! Durante a utilização, o disco e a peça trabalhada vão ficar quentes. Ao trocar os discos ou tocar na peça de trabalho, use luvas. Mantenha sempre as mãos afastadas da área que estiver a ser trabalhada com a rebarbadora.

ATENÇÃO! Para evitar o risco de incêndio, de feridas ou de danificação do produto causado por um curto-circuito, não imerja a bateria intercambiável ou o carregador em líquidos e assegure-se de que líquidos não penetrem nos aparelhos ou nas baterias. Líquidos corrosivos ou condutivos como água salgada, determinadas substâncias químicas ou produtos que contêm branqueadores podem causar um curto-circuito.

Carregadores só devem ser utilizados em recintos secos.

Use apenas carregadores do Sistema M18 para recarregar os acumuladores do Sistema M18. Não utilize acumuladores de outros sistemas.

UTILIZAÇÃO AUTORIZADA

A rebarbadora foi concebida para esmerilar e cortar materiais metálicos, em pedra, cimento e cerâmicos, bem como para operações de decapagem e escovagem com escova de metal.

Para aplicações de corte, utilize o resguardo de corte constante da gama de acessórios.

Em caso de dúvida, observe as indicações do fabricante dos acessórios.

A ferramenta só é apropriada para o processamento a seco.

Só devem ser encaixados na rebarbadora discos de esmeril/ corte e respetivas protecções (protecção de esmeril ou protecção de corte) que sejam adequados, conforme descritos na secção de especificações do produto deste manual. A rebarbadora foi concebida para utilização portátil, não se destinando a ser montada num acessório ou bancada.

Não utilize o produto de qualquer outra forma além das indicadas para a utilização prevista.

RISCOS RESIDUAIS

Mesmo em caso de utilização correta não é possível excluir todos os riscos residuais. Na utilização da máquina podem ser causados os seguintes perigos que o utilizador deve observar:

- Feridas causadas pela vibração. Segure o aparelho nos punhos previstos e limite o tempo de trabalho e exposição.
- Os ruídos podem levar à perda de audição. Use um protetor auricular e limite o período de exposição.
- Feridas dos olhos causadas por partículas de sujeira. Sempre use óculos de proteção, calças compridas sólidas e calçados sólidos.
- Inalação de pós tóxicos.

NOTAS PARA BATERIAS DE IÕES DE LÍTIO

Utilização de iões de lítio

Acumuladores não utilizados durante algum tempo devem ser recarregados antes da sua utilização.

Temperaturas acima de 50°C reduzem a capacidade do bloco acumulador. Evitar exposição prolongada ao sol ou a caloríferos. Manter limpos os contactos eléctricos no carregador e no bloco acumulador.

Para uma vida útil óptima das baterias, terá que carregá-las plenamente após a sua utilização.

Para assegurar uma vida útil longa, o pacote de bateria deve ser removido da carregadora depois do carregamento.

Se o pacote de bateria for armazenado por mais de 30 dias:

Guarde a bateria num espaço cuja temperatura seja inferior a 27 °C e onde não haja humidade.

Armazene o pacote de bateria com aprox. 30%-50% da carga completa.

Carregue o pacote de bateria novamente de 6 em 6 meses.

Proteção contra sobrecarga para baterias de iões de lítio

No caso de sobrecarga da bateria devido a um consumo de corrente demasiado elevado, por exemplo um binário de rotação extremamente elevado, uma paragem repentina ou um curto-circuito, a ferramenta eléctrica vibra durante 5 segundos, o indicador de carregamento de bateria começa a piscar e a ferramenta eléctrica desliga-se automaticamente.

Para a ligar novamente, desligar e voltar a ligar o interruptor Sob condições extremas, a bateria aquece demasiado. Nesse caso, todas as luzes do indicador de carregamento de bateria piscam até que esta arrefeça. Após as luzes do indicador de carregamento de bateria se apagarem, pode-se continuar a trabalhar.

Transporte de baterias de ião-lítio

Baterias de ião-lítio estão sujeitas às disposições da legislação relativa às substâncias perigosas.

O transporte destas baterias deve ser efetuado de acordo com as disposições e os regulamentos locais, nacionais e internacionais.

O utilizador pode efetuar o transporte rodoviário destas baterias sem restrições.

O transporte comercial de baterias de ião-lítio por terceiros está sujeito aos regulamentos relativos às substâncias perigosas. A preparação do transporte e o transporte devem ser executados exclusivamente por pessoas instruídas e o processo deve ser acompanhado pelos especialistas correspondentes.

Observe o seguinte no transporte de baterias:

Assegure-se de que os contactos terminais estejam protegidos e isolados para evitar um curto-circuito.

Assegure-se de que o bloco da bateria esteja protegido contra movimentos na embalagem. Não transporte baterias danificadas ou que tenham fuga. Para instruções mais detalhadas consulte a companhia de transportes

DICAS DE TRABALHO

Para as ferramentas a serem montadas com a roda de orifício roscado, certifique-se de que a rosca na roda é suficientemente longa para receber o fuso em todo o seu comprimento.

Sempre utilizar e guardar os rebolos separadores e os discos abrasivos, de acordo com as indicações do fabricante.

Durante o trabalho com discos de desbastar e de corte sempre deve ser utilizada a placa de protecção.

Discos abrasivos dobrados devem ser montados, de forma que a sua superfície abrasiva não sobressaia além do nível da margem da tampa de protecção.

A porca de ajuste deve ser apertada antes de iniciar o trabalho com a máquina.

Utilizar sempre o punho lateral.

A peça a ser trabalhada deve ser fixada, caso não esteja firme devido ao seu peso próprio. Jamais conduzir a peça a ser trabalhada em direcção do disco com as mãos.

Antes de colocar a máquina em funcionamento, a porca flangeada deve ser apertada para que esteja fixa. Se a ferramenta não for bem apertada com a porca flangeada, é possível que a ferramenta perca a força de tensão necessária na travagem.

PROTEÇÃO CONTRA SOBRECARGA E RECUCO

O aparelho dispõe de uma função de protecção contra sobrecarga e anti-retorno e parará quando houver a sobrecarga correspondente. Desligue a ferramenta eléctrica e volte a ligá-la, a fim de poder continuar a trabalhar.

ARRANQUE SUAVE

Arranque suave electrónico para manejo seguro; evita o arranque brusco da máquina ao ligá-la.

SISTEMA DE TRAVAGEM

O travão de movimento por impulso após desligar é ativado ao soltar o gatilho, fazendo com que a ferramenta pare em poucos segundos.

Certifique-se de que a ferramenta de inserção para por completo antes de a posar.

Comparativamente às ferramentas sem travão de movimento por impulso após desligar, o tempo de movimento por impulso após desligar desta ferramenta é bastante reduzido, através da travagem.

LIMPEZA

Manter desobstruídos os rasgos de ventilação na carcaça da máquina.

MANUTENÇÃO

Utilizar apenas acessórios Milwaukee e peças sobresselentes Milwaukee. Os componentes cuja substituição não esteja descrita devem ser substituídos num serviço de assistência técnica Milwaukee (consultar a brochura relativa à garantia/moradas dos serviços de assistência técnica).

A pedido e mediante indicação da referência que consta da chapa de características da máquina, pode requerer-se um desenho explosivo da ferramenta eléctrica a: Techtronic Industries GmbH, Max-Eyth-Straße 10, 71364 Winnenden, Germany.

SÍMBOLOS



Leia atentamente o manual de instruções antes de colocar a máquina em funcionamento.



ATENÇÃO! PERIGO!



Antes de efectuar qualquer intervenção o aparelho retirar o bloco acumulador.



Não utilize a protecção para operações de corte.



Não aplique força.



Aplique força.



Usar sempre óculos de protecção ao trabalhar com a máquina.



Sempre use a protecção dos ouvidos.



Use uma máscara de protecção contra pó apropriada.



Use luvas de protecção!



Trabalhe sempre com as duas mãos.



Só para trabalhos de lixar.



Só para trabalhos de separação.



Preste atenção à espessura admissível do disco.



Acessório - Não incluído no equipamento normal, disponível como acessório.



Sentido de rotação



Resíduos de pilhas, resíduos de equipamentos eléctricos e electrónicos não devem ser descartados com o lixo doméstico. Resíduos de pilhas, resíduos de equipamentos eléctricos e electrónicos devem ser recolhidos e descartados separadamente. Remova os resíduos de pilhas, os resíduos de acumuladores e as luzes antes de descartar os equipamentos. Informe-se sobre os centros de reciclagem e os postos de coleta nas autoridades locais ou no seu vendedor autorizado. Dependendo dos regulamentos locais, os retalhistas podem ser obrigados a retomar gratuitamente os resíduos de pilhas e os resíduos de equipamentos eléctricos e electrónicos. Contribua a reduzir as necessidades de matérias-primas, reutilizando e reciclando os seus resíduos de pilhas e os seus resíduos de equipamentos eléctricos e electrónicos. Resíduos de pilhas (particularmente pilhas de íon lítio), resíduos de equipamentos eléctricos e electrónicos contém materiais valiosos e reutilizáveis que podem ter efeitos negativos para o meio ambiente e a sua saúde. Apague eventuais dados pessoais existentes no seu resíduo de equipamento antes de descartá-lo.

n

Número de rotações nominal

V

Tensão



Corrente contínua



Marca de Conformidade Europeia



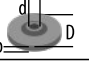


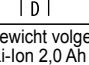
Marca de Conformidade Britânica



Marca de Conformidade Ucraniana



Marca de Conformidade Eurasiática

TECHNISCHE GEGEVENS	M18 BLSAG125X	M18 BLSAG115XPD	M18 BLSAG125XPD
Type	Accu-haakse slijpmachine	Accu-haakse slijpmachine	Accu-haakse slijpmachine
Productienummer	4972 15 01 XXXXXX MJJJJ	4972 15 01 XXXXXX MJJJJ	4972 35 01 XXXXXX MJJJJ
Spanning wisselakku	18 V	18 V	18 V
Nominaal toerental	11000 min ⁻¹	11000 min ⁻¹	11000 min ⁻¹
Asaansluiting	M14	M14	M14
D=Slijpschijf-Ø max.	125 mm	115 mm	125 mm
d=Asgat-Ø	22,2 mm	22,2 mm	22,2 mm
	b=Slijpschijfdikte max.	6 mm	6 mm
	b=Dikte doorslijpschijven max. / min.	3 mm / 1 mm	3 mm / 1 mm
	D=Diameter schuurschijf max.	125 mm	115 mm
	D=Komborstel-Ø max.	75 mm	75 mm
Gewicht volgens de EPTA-procedure 01/2014 (Li-Ion 2,0 Ah ... 12,0 Ah)	2,2 ... 3,3 kg	2,2 ... 3,3 kg	2,2 ... 3,3 kg
Aanbevolen omgevingstemperatuur voor het bedrijf	-18 ... +50 °C	-18 ... +50 °C	-18 ... +50 °C
Aanbevolen accupacks	M18B...; M18HB...	M18B...; M18HB...	M18B...; M18HB...
Aanbevolen laadtoestellen	M12-18...; M1418C6	M12-18...; M1418C6	M12-18...; M1418C6
Geluids informatie: Meetwaarden vastgesteld volgens EN 62841.			
Het kenmerkende A-gewogen geluidsniveau van de machine bedraagt:			
Geluidsdruk niveau / Onzekerheid K	92,51 dB (A) / 3 dB (A)	92,51 dB (A) / 3 dB (A)	92,51 dB (A) / 3 dB (A)
Geluidsvermogen niveau / Onzekerheid K	100,51 dB (A) / 3 dB (A)	100,51 dB (A) / 3 dB (A)	100,51 dB (A) / 3 dB (A)
Draag oorbeschermers!			
Trillings informatie: Totale trillingswaarden (vectorsom van drie richtingebepaald volgens EN 62841.			
Trillingsemissiewaarde a _w / Onzekerheid K			
Schuren van oppervlakken	6,30 m/s ² / 1,5 m/s ²	7,10 m/s ² / 1,5 m/s ²	7,10 m/s ² / 1,5 m/s ²
Schuren met schuurblad	1,97 m/s ² / 1,5 m/s ²	1,82 m/s ² / 1,5 m/s ²	1,82 m/s ² / 1,5 m/s ²
Bij andere toepassingen zoals bijv. doorslijpen of schuren met de staalborstel, kunnen andere trilwaarden ontstaan!			

WAARSCHUWING!

De in dit informatieblad vermelde trillings- en geluidsniveaus zijn gemeten in overeenstemming met een standaard testmethode conform EN 62841 en kunnen worden gebruikt om gereedschap met elkaar te vergelijken. Deze kunnen ook worden gebruikt voor het vooraf evalueren van de blootstelling.

De vermelde trillings- en geluidsniveaus gelden voor de meest gebruikelijke toepassingen van het gereedschap. Wanneer het gereedschap echter voor andere doeleinden of met andere hulpstukken gebruikt wordt of niet naar behoren onderhouden wordt, kan de mate van blootstelling over de hele werkperiode aanzienlijk hoger uitvallen.

Voor een nauwkeurige inschatting van de blootstelling aan trillingen en geluid moet ook de tijd in aanmerking worden genomen die het apparaat uitgeschakeld is of weliswaar loopt, maar niet werkelijk in gebruik is. Dit kan de waarde van de mate aan blootstelling over de hele werkperiode aanzienlijk verminderen.

Bepaal extra veiligheidsmaatregelen ter bescherming van de gebruiker tegen de gevolgen van trillingen en/of geluid, bijvoorbeeld: onderhoud van het gereedschap en hulpstukken, warmhouden van de handen, organisatie van de werkprocessen.

WAARSCHUWING! Lees alle veiligheidsinstructies en aanwijzingen door. Als de waarschuwingen en voorschriften niet worden opgevolgd, kan dit een elektrische schok, brand of ernstig letsel tot gevolg hebben.

Bewaar alle waarschuwingen en voorschriften voor toekomstig gebruik.

VEILIGHEIDSLINSTRUCTIES VOOR HAAKSE SLIJPEREN

Algemene waarschuwingen voor slijpen, schuren, borstelen, polijsten en doorslijpen:

a) Dit elektrische gereedschap is bestemd voor gebruik als slijpmachine, schuurmachine, borstelmachine en doorslijpmachine. Neem alle waarschuwingen, aanwijzingen, afbeeldingen en gegevens die u bij het elektrische gereedschap ontvangt in acht. Als u de volgende aanwijzingen niet in acht neemt, kunnen een elektrische schok, brand en/of ernstig letsel het gevolg zijn.

b) Dit elektrische gereedschap is niet geschikt voor het polijsten. Ondoelmatig gebruik van dit elektrische gereedschap kan leiden tot gevaren en persoonlijk letsel.

c) Dit elektrisch gereedschap mag niet worden aangepast om te werken op een wijze waarvoor het niet specifiek is bedoeld en die is aangegeven door de fabrikant. Een dergelijke aanpassing kan leiden tot controleverlies en ernstig letsel tot gevolg hebben.

d) Gebruik uitsluitend toebehoren dat door de fabrikant speciaal voor dit elektrische gereedschap is voorzien en geadviseerd. Het feit dat u het toebehoren aan het elektrische gereedschap kunt bevestigen, waarborgt nog geen veilig gebruik.

e) Het toelaatbare toerental van het inzetgereedschap moet minstens even hoog zijn als het maximale toerental dat op het elektrische gereedschap is aangegeven. Toebehoren dat sneller draait dan toegestaan, kan breken en in het rond vliegen.

f) De buitendiameter en de dikte van het inzetgereedschap moeten overeenkomen met de maatgegevens van het elektrische gereedschap. Inzetgereedschappen met onjuiste afmetingen kunnen niet voldoende afgeschermd of gecontroleerd worden.

g) De afmetingen van de accessoirebevestigingen moeten passen bij de afmetingen van het onderdeel op het elektrisch gereedschap. Toebehoren dat niet op de montageopening van het apparaat past, loopt excentrisch, trilt buitengewoon sterk en kan leiden tot controleverlies over het gereedschap.

h) Gebruik geen beschadigde inzetgereedschappen. Controleer voor het gebruik altijd inzetgereedschappen zoals slijpschijven op afsplinteringen en scheuren, steunschijven op scheuren of sterke slijtage en draadborstels op losse of gebroken draden. Als het elektrische gereedschap of het inzetgereedschap valt, dient u te controleren of het beschadigd is, of gebruik een onbeschadigd inzetgereedschap. Als u het inzetgereedschap hebt gecontroleerd en ingezet, laat u het elektrische gereedschap een minuut lang met het maximale toerental lopen. Daarbij dient u en dienen andere personen uit de buurt van het ronddraaiende inzetgereedschap te blijven. Beschadigde inzetgereedschappen breken meestal gedurende deze testtijd.

i) Draag persoonlijke beschermende uitrusting. Gebruik afhankelijk van de toepassing een volledige gezichtsbescherming, oogbescherming of veiligheidsbril. Draag voor zover van toepassing een stofmasker, een gehoorbescherming, werkhandschoenen of een speciaal schort dat kleine slijp- en materiaaldeeltjes tegenhoudt. De oogbescherming moet bescherming bieden tegen rondvliegend materiaal veroorzaakt door diverse toepassingen. Het stofmasker of de adembeschermer moet geschikt zijn om deeltjes te filteren die door specifieke toepassingen worden veroorzaakt. Langdurige blootstelling aan lawaai met hoge intensiteit kan leiden tot gehoorverlies.

j) Let erop dat andere personen zich op een veilige afstand bevinden van de plaats waar u werkt. Iedereen die de werkomgeving betreedt, moet persoonlijke beschermende uitrusting dragen. Brokstukken van het werkstuk of gebroken inzetgereedschappen kunnen verwelgen en verwondingen veroorzaken, ook buiten de directe werkomgeving.

k) Houd het apparaat alléén aan de geïsoleerde grijpvlakken vast, wanneer u werkzaamheden uitvoert waarbij het snijgereedschap verborgen stroomleidingen zou kunnen raken. Het contact van het snijgereedschap met een spanningvoerende leiding kan de metalen apparaatdelen onder spanning zetten en zo tot een elektrische schok leiden.

l) Leg het elektrische gereedschap nooit neer, vóór het inzetstuk volledig tot stilstand is gekomen. Het draaiende inzetgereedschap kan in contact komen met het oppervlak, waardoor u de controle over het elektrische gereedschap kunt verliezen.

m) Laat het elektrische gereedschap niet lopen terwijl u het draagt. Uw kleding kan door toevallig contact met het draaiende inzetgereedschap worden meegenomen en het inzetgereedschap kan zich in uw lichaam boren.

n) Reinig regelmatig de ventilatieopeningen van het elektrische gereedschap. De motorventilator trekt stof in het huis en een sterke ophoping van metaalstof kan elektrische gevaren veroorzaken.

o) Gebruik het elektrische gereedschap niet in de buurt van brandbare materialen. Vonken kunnen deze materialen ontsteken.

p) Gebruik geen inzetgereedschappen waarvoor vloeibare koelmiddelen vereist zijn. Het gebruik van water of andere vloeibare koelmiddelen kan tot een elektrische schok leiden.

Terugslag en bijbehorende waarschuwingen:

Terugslag is de plotselinge reactie als gevolg van een vasthakend of geblokkeerd draaiend inzetgereedschap, zoals een slijpschijf, steunschijf, draadborstel, enz. Vasthaken of blokkeren leidt tot abrupte stilstand van het ronddraaiende inzetgereedschap. Daardoor wordt een ongecontroleerd elektrisch gereedschap tegen de draairichting van het inzetgereedschap versneld op de plaats van de blokkering.

Als bijvoorbeeld een slijpschijf in het werkstuk vasthaakt of blokkeert, kan de rand van de slijpschijf die in het werkstuk invalt, zich vastgrijpen. Daardoor kan de slijpschijf uitbreken of een terugslag veroorzaken. De slijpschijf beweegt zich vervolgens naar de bediener toe of van de bediener weg, afhankelijk van de draairichting van de schijf op de plaats van de blokkering. Hierbij kunnen slijpschijven ook breken.

Een terugslag is het gevolg van het verkeerd gebruik of onjuiste gebruiksomstandigheden van het elektrische gereedschap. Terugslag kan worden voorkomen door geschikte voorzorgsmaatregelen, zoals hieronder beschreven.

a) Houd het elektrische gereedschap goed vast en breng uw lichaam en uw armen in een positie waarin u de terugslagkrachten kunt opvangen. Gebruik altijd de extra handgreep, indien aanwezig, om de grootst mogelijke controle te hebben over terugslagkrachten of reactiemomenten bij het op toeren komen. De bediener kan door geschikte voorzorgsmaatregelen de terugslag- en reactiekrachten beheersen.

b) Breng uw hand nooit in de buurt van draaiende inzetgereedschappen. Accessoires kunnen over uw hand terugslaan.

c) Mijd met uw lichaam het gebied waarheen het elektrische gereedschap bij een terugslag wordt bewogen. De terugslag drijft het elektrische gereedschap in de richting die tegengesteld is aan de beweging van de slijpschijf op de plaats van de blokkering.

d) Werk bijzonder voorzichtig in de buurt van hoeken, scherpe randen, enz. Voorkom dat inzetgereedschappen van het werkstuk terugspringen en vastklemmen. Het ronddraaiende inzetgereedschap neigt er bij hoeken, scherpe randen of wanneer het terugspringt toe om zich vast te klemmen. Dit veroorzaakt een controleverlies of terugslag.

e) Gebruik geen ketting- of getand zaagblad. Dergelijke inzetstukken veroorzaken vaak een terugslag of verlies van controle over het elektrische gereedschap.

Bijzondere waarschuwingen voor slijp- en doorslijpwerkzaamheden

a) Gebruik alleen de voor uw elektrisch gereedschap aangegeven schijven en de specifieke beschermkap die passend is voor de geselecteerde schijf. Slijp- en doorslijpbehooren dat niet voor het elektrische gereedschap is voorzien, kan niet voldoende worden afgeschermd en is niet veilig.

b) Gebogen slijpschijven moeten zodanig worden gemonteerd dat het schuuroppervlak niet boven de rand van de veiligheidskap uitsteekt. Een ondeskundig gemonteerd slijpschijf die boven de rand van de veiligheidskap uitsteekt kan niet afdoende worden afgeschermd.

c) Gebruik altijd de beschermkap die voor het gebruikte soort slijp- en doorslijpgeredeedschap is voorzien. De beschermkap moet stevig op het elektrische gereedschap zijn aangebracht en zodanig zijn ingesteld dat een maximum aan veiligheid wordt bereikt. Dat wil zeggen dat het kleinste mogelijke deel van het slijp- en doorslijpgeredeedschap open naar de bediener wijst. De bescherming helpt om de gebruiker te beschermen tegen delen van een gebroken schijf, onbedoeld contact met de schijf en vonken die kleding in brand kunnen zetten.

d) Schijven mogen alleen voor de aangegeven toepassingen worden gebruikt, bijvoorbeeld niet slijpen met de zijkant van een doorslijpschijf. Doorslijpschijven zijn bestemd voor

materiaalafname met de rand van de schijf. Een zijwaartse krachtwerking op dit slijptoebehooren kan het toebehooren breken.

e) Gebruik altijd onbeschadigde spanflenzen in de juiste maat en vorm voor de door u gekozen slijpschijf. Geschikte flenzen steunen de slijpschijf en verminderen zo het gevaar van een slijpschijfbreuk. Flenzen voor doorslijpschijven kunnen verschillen van de flenzen voor andere slijpschijven.

f) Gebruik geen versleten slijpschijven van grotere elektrische gereedschappen. Een schijf die bedoeld is voor een groter elektrisch gereedschap is niet geschikt voor de hogere snelheid van een kleiner gereedschap en zou kunnen knappen.

g) Zorg bij gebruik van de tweeledige schijven altijd voor een beschermkap die past bij de uit te voeren toepassing. Als de juiste beschermkap niet wordt gebruikt, kan er te weinig bescherming zijn, waardoor er ernstig letsel kan ontstaan.

Aanvullende veiligheidswaarschuwingen speciaal voor schuurdorslijpen:

a) Voorkom blokkeren van de doorslijpschijf en te hoge aandrukkracht. Slijp niet overmatig diep. Een overbelasting van de doorslijpschijf vergroot de slijtage en de gevoeligheid voor kantelen of blokkeren en daardoor de mogelijkheid van een terugslag of breuk van het slijptoebehooren.

b) Mijd de omgeving voor en achter de ronddraaiende doorslijpschijf. Als u de doorslijpschijf in het werkstuk van u weg beweegt, kan in het geval van een terugslag het elektrische gereedschap met de draaiende schijf rechtstreeks naar u toe worden geslingerd.

c) Als de doorslijpschijf vastklemt of als u de werkzaamheden onderbreekt, schakelt u het elektrische gereedschap uit en houdt u het rustig tot de schijf tot stilstand is gekomen. Probeer nooit om de nog draaiende doorslijpschijf uit de greef te trekken. Anders kan een terugslag het gevolg zijn. Stel de oorzaak van het vastklemmen vast en maak deze ongedaan.

d) Schakel het elektrische gereedschap niet opnieuw in zolang het zich in het werkstuk bevindt. Laat de doorslijpschijf eerst het volledige toerental bereiken voordat u het doorslijpen voorzichtig voortzet. Anders kan de schijf vasthakken, uit het werkstuk springen of een terugslag veroorzaken.

e) Ondersteun platen of grote werkstukken om het risico van een terugslag door een ingeklemde doorslijpschijf te verminderen. Grote werkstukken kunnen onder hun eigen gewicht doorbuigen. Het werkstuk moet aan beide zijden worden ondersteund, vlakbij de slijpreef en aan de rand.

f) Wees bijzonder voorzichtig bij het insteekzagen in bestaande wanden of andere niet-zichtbare bereiken. De invallende doorslijpschijf kan bij het doorslijpen van gas- of waterleidingen, elektrische leidingen of andere objecten een terugslag veroorzaken.

g) Probeer niet om bochten te snijden. Te veel druk op de schijf verhoogt de belasting en de neiging tot draaien of klemmen van de schijf in de sneede en het risico van terugslag of breken van de schijf, waardoor ernstig letsel kan ontstaan.

Veiligheidswaarschuwingen speciaal voor schuren:

a) Gebruik het juiste formaat schuurschijven. Volg bij de keuze van het schuurpapier de aanbevelingen van de fabrikant op. Groot schuurpapier dat ver uitsteekt over de schuurblok kan scheuren en kan leiden tot vastlopen, scheuren van de schijf of terugslag.

Veiligheidswaarschuwingen speciaal voor draadborstelen:

a) Let op dat de draadborstel ook tijdens het normale gebruik draadstukken verliest. Overbelast de draden niet door een te hoge aanpersdruk. Wegvliegende draadstukken kunnen probleemloos door dunne kleding en/of de huid dringen.

b) Als wordt aangegeven dat gebruik van een beschermkap voor het draadborstelen nodig is, zorg er dan voor dat de draadschijf of borstel geen contact maakt met de beschermkap. Vlakstaal- en komstaalborstels kunnen door aandrukkracht en centrifugaalkrachten hun diameter vergroten.

VERDERE VEILIGHEIDS- EN WERKINSTRUCTIES

Kijk voor het inschakelen van het apparaat altijd eerst de spindelvergrendelingsknop volledig vrij sta! Na het gebruik van de spindelvergrendeling voor het vast-/losdraaien van de slijpschijf is het mogelijk dat de knop in de vergrendelingsstand blijft steken.

Bij het schuren van metalen ontstaan vonken. Er op letten dat er geen personen in gevaar worden gebracht. In verband met het brandgevaar mogen zich geen brandbare materialen in de buurt (gebied waar de vonken vallebevinden). Geen stofafzuiging gebruiken

V voorkom dat vonkenregen en slijpstof het lichaam raken. Niet aan de draaiende delen komen.

Spanen of splinters mogen bij draaiende machine niet worden verwijderd.

Machine onmiddellijk controleren als sterke trillingen optreden of andere gebreken worden vastgesteld. Controleer de machine om de oorzaak vast te stellen.

Onder extreme omstandigheden (bijv. gladlijpen van metaal met steunschijf en slijpstift van ge vulkaniseerde vezel) kan aan zich de binnenkant van de slijpmachine vuil ophopen.

Vanwege kortsluitingsgevaar mogen metaaldeeltjes niet in de luchtschachten terechtkomen.

WAARSCHUWING! Gevaar voor verbrandingen! De schijf en het werkstuk worden tijdens het gebruik heet. Draag handschoenen bij het vervangen van schijven of het aanraken van het werkstuk. Hou uw handen te allen tijde uit de buurt van de te slijpen gebied.

WAARSCHUWING! Voorkom brand, persoonlijk letsel of materiële schade door kortsluiting en dompel het gereedschap, de wisselaccu en het laadtoestel niet onder in vloeistoffen en waarborg dat geen vloeistoffen in de apparaten en accu's kunnen dringen. Corrosieve of geleidende vloeistoffen zoals zout water, bepaalde chemicaliën, bleekmiddelen of producten die bleekmiddelen bevatten, kunnen een kortsluiting veroorzaken.

Wisselakku's en laadapparaten niet openen en alleen in droge ruimtes opslaan. Tegen vocht beschermen.

Wisselakku's van het Akku-Systeem M18 alléén met laadapparaten van het Akku-Systeem M18 laden. Geen akku's van andere systemen laden.

VOORGESCHREVEN GEBRUIK VAN HET SYSTEEM

De haakse slijpmachine is bedoeld voor het slijpen en snijden van metaal-, steen-, beton- en keramische materialen en voor het schuren en borstelen van kabels.

Gebruik bij het zagen de beschermkap uit het accessoire-assortiment.

Neem in twijfelgevallen deaanwijzingen van de toebehorenfabrikant in acht.

Het elektrische gereedschap is alleen geschikt voor de droge bewerking.

Op de haakse slijpmachine mogen uitsluitend geschikte slijp- of snijgeschijven en bijbehorende afschermingen (slijp- of snijbescherming), worden gemonteerd, zoals beschreven in het hoofdstuk productspecificaties van deze handleiding. De haakse slijpmachine is ontworpen voor gebruik met de hand; hij mag niet op een armatuur of werkbank worden gemonteerd.

Gebruik het product op geen andere wijze dan is aangegeven voor het beoogde gebruik.

RESTERENDE GEVAREN

Ook als de machine volgens de voorschriften gebruikt wordt, kunnen niet alle risico's worden uitgesloten. Let bij het gebruik op de volgende gevaren:

- Door vibraties veroorzaakt letsel. Houd de machine vast aan de daarvoor bedoelde grepen en beperk de tijd die u met de machine werkt en waarin u aan de vibraties wordt blootgesteld.
- Lawaai kan leiden tot gehoorschade. Draag een gehoorbescherming en beperk de tijd waarin u aan het lawaai wordt blootgesteld.
- Door vuildeeltjes veroorzaakt oogletsel. Draag altijd een veiligheidsbril, nauwsluitende, lange broeken, handschoenen en vast schoeisel.
- Inademen van toxische stoffen.

OPMERKINGEN OVER LI-ION-ACCU'S

Gebruik van li-ion-accu's

Langere tijd niet toegepaste wisselakku's vóór gebruik altijd naladen.

Een temperatuur boven de 50°C vermindert de capaciteit van de accu. Langdurige verwarming door zon of hitte vermijden.

De aansluitkontakten aan het laadapparaat en de akku schoonhouden.

Voor een optimale levensduur moeten de accu's na het gebruik volledig opgeladen worden. Voor een zo lang mogelijke levensduur van de accu's dienen deze na het opladen uit het laadtoestel te worden verwijderd.

Bij een langere opslag van de accu dan 30 dagen:

Bewaar het accupack op een droge plek waar de temperatuur onder 27°C is.

accu bij ca. 30 % - 50 % van de laadtoestand bewaren..

accu om de 6 maanden opnieuw opladen.

Overbelastingsbeveiliging voor li-ion-accu's

Bij overbelasting van de accu door zeer hoog stroomverbruik, bijv. extreem hoge draaimomenten, plotseling stoppen of kortsluiting, vibreert het elektrische gereedschap gedurende 5 seconden, de laadweergave knippert en het elektrische gereedschap schakelt automatisch uit.

Om het gereedschap weer in te schakelen, moet u de drukschakelaar loslaten en vervolgens weer inschakelen. Onder extreme belastingen wordt de accu te heet. In dit geval knipperen alle lampen van de laadweergave totdat de accu afgekoeld is. Na het doven van de laadweergave kunt u weer verder werken.

Transport van lithium-ionen-accu's

Lithium-ionen-accu's vallen onder de wettelijke bepalingen inzake het transport van gevaarlijke goederen.

Voor het transport van deze accu's moeten de lokale, nationale en internationale voorschriften en bepalingen in acht worden genomen. Verbruikers mogen deze accu's zonder meer over de weg transporteren.

Het commerciële transport van lithium-ionen-accu's door expeditiebedrijven is onderhevig aan de bepalingen inzake het transport van gevaarlijke goederen. De verzendingsvoorbereidingen en het transport mogen uitsluitend worden uitgevoerd door dienovereenkomstig opgeleide personen. Het complete proces moet vakkundig worden begeleid.

Onderstaande punten moeten bij het transport van accu's in acht worden genomen:

Waarborg ter vermijding van kortsluitingen dat de contacten beschermd en geïsoleerd zijn.

Let op dat het accupack in de verpakking niet kan verschuiven. Beschadigde of lekkende accu's mogen niet worden getransporteerd. Neem voor meer informatie contact op met uw expeditiebedrijf.

ARBEIDSWERKINSTRUCTIES

Bij gebruik van gereedschappen die bedoeld zijn voor wielen met schroefgaten, dient men te controleren dat de schroefdraad in het wiel lang

Doorslijp- en slijpschijven altijd volgens de voorschriften van de fabrikant gebruiken en bewaren.

Bij schuren en doorslijpen altijd met de beschermkap werken.

Gebogen slijpschijven moeten zodanig worden gemonteerd dat het schuuroppervlak niet boven de rand van de veiligheidskap uitsteekt. De flensmoer moet vóór de ingebruikname van de machine aangetrokken zijn.

Altijd de zijhandgreep gebruiken.

Het te bewerken werkstuk moet vast worden ingespannen als het niet door het eigen gewicht stabiel ligt. Nooit het werkstuk met de hand tegen de schijf houden.

De flensmoer moet vóór inbedrijfstelling van de machine vast aangedraaid zijn. Als het inzetgereedschap met de flensmoer niet vast wordt aangedraaid, kan het zijn dat het insteekgereedschap bij het afremmen de vereiste spankracht verliest.

BESCHERMING TEGEN OVERBELASTING EN TERUGSLAG

Het apparaat beschikt over een overload- en terugslagbeveiliging en stopt in geval van een dienovereenkomstige overbelasting. Schakel het elektrisch gereedschap uit en opnieuw in om verder te gaan met uw werkzaamheden.

ZACHT AANLOOP

De elektronische zachte aanloop zorgt voor een veilig vasthouden van de machine wanneer deze wordt ingeschakeld.

REMSYSTEEM

De uitlooprem wordt ingeschakeld zodra de AAN/UIT-schakelaar wordt losgelaten. Daardoor wordt de schijf binnen enkele seconden afgeremd.

Leg het gereedschap altijd pas neer nadat het tot stilstand is gekomen.

In vergelijking met gereedschap zonder uitlooprem zal de uitlooptijd aanzienlijk worden verlaagd door te remmen.

ONDERHOUD

Altijd de luchtspleten van de machine schoonhouden.

ONDERHOUD

Gebruik uitsluitend Milwaukee toebehoren en onderdelen. Indien componenten die moeten worden vervangen niet zijn beschreven, neem dan contact op met een officieel Milwaukee servicecentrum (zie onze lijst met servicecentra).

Onder vermelding van het nummer op het machineplaatje is desgewenst een doorsnedetekening van de machine verkrijgbaar bij: Techntron Industries GmbH, Max-Eyth-Straße 10, 71364 Winnenden, Germany.

SYMBOLLEN

	Graag instructies zorgvuldig doorlezen vóórdat u de machine in gebruik neemt.
	OPGELET! WAARSCHUWING! GEVAAR!
	Voor alle werkzaamheden aan de apparat de akku verwijderen.
	De beschermkap niet gebruiken bij doorslijpen.
	Geen kracht uitoefenen.
	Kracht uitoefenen.
	Bij het werken met de machine altijd een veiligheidsbril dragen.
	Draag oorbeschermers.
	Draag derhalve een geschikt stofbeschermingsmasker.
	Draag veiligheidshandschoenen!
	Altijd met twee handen gebruiken.
	Alleen voor het schuren.
	Alleen voor het doorslijpen.
	Let op de toegestane schijfdikte.

	Toebehoren - Wordt niet meegeleverd. Is apart leverbaar. Zie hiervoor het toebehorenprogramma.
	Draairichting
	Afgedankte batterijen en afgedankte elektrische en elektronische apparatuur mogen niet samen via het huisafval worden afgevoerd. Afgedankte batterijen en afgedankte elektrische en elektronische apparatuur moeten gescheiden ingezameld en afgevoerd worden. Verwijder afgedankte batterijen, afgedankte accu's en verlichtingsmiddelen uit de apparatuur voordat u deze afvoert. Informeer bij uw gemeente of bij uw vakhandelaar naar recyclingbedrijven en inzamelpunten. Al naargelang de lokaal van toepassing zijnde voorschriften kunnen detailhandelaren verplicht zijn om afgedankte batterijen, afgedankte elektrische en elektronische apparatuur kosteloos terug te nemen. Geef uw afgedankte batterijen, afgedankte elektrische en elektronische apparatuur af voor recycling en help zo mee om de behoefte aan grondstoffen te verminderen. Afgedankte batterijen (vooral lithium-ion-batterijen), afgedankte elektrische en elektronische apparatuur bevatten waardevolle, recyclebare materialen die, mits ze niet milieuvriendelijk worden afgevoerd, negatieve gevolgen kunnen hebben voor het milieu en uw gezondheid. Verwijder persoonlijke gegevens van uw afgedankte apparatuur voordat u deze afvoert.
n	Nominaal toerental
v	Spanning
	Gelijkstroom
	Europees symbool van overeenstemming
	Brits symbool van overeenstemming
	Oekraïens symbool van overeenstemming
	Euro-Aziatisch symbool van overeenstemming

TEKNISCHE DATA

	M18 BLSAG125X	M18 BLSAG115XPD	M18 BLSAG125XPD
Type	Akku vinkelsliber	Akku vinkelsliber	Akku vinkelsliber
Produktionsnummer	4972 15 01 XXXXXX MJJJJ	4972 25 01 XXXXXX MJJJJ	4972 35 01 XXXXXX MJJJJ
Udskiftningsbatteriets spænding	18 V	18 V	18 V
Nominelt omdrejningstal	11000 min ⁻¹	11000 min ⁻¹	11000 min ⁻¹
Spindelgevind	M14	M14	M14
D=Slibeskive-Ø maks.	125 mm	115 mm	125 mm
d=borings-ø	22,2 mm	22,2 mm	22,2 mm
	b=Slibeskivetykkelse maks.	6 mm	6 mm
	b=Skæreskive tykkelse maks. / min.	3 mm / 1 mm	3 mm / 1 mm
	D=Slibeskive diameter maks.	125 mm	115 mm
	D=Kopbørstens diameter maks.	75 mm	75 mm
Vægt svarer til EPTA-procedure 01/2014 (Li-Ion 2,0 Ah ... 12,0 Ah)	2,2 ... 3,3 kg	2,2 ... 3,3 kg	2,2 ... 3,3 kg
Anbefalet omgivelsestemperatur til driften	-18 ... +50 °C	-18 ... +50 °C	-18 ... +50 °C
Anbefalede batteripakker	M18B...; M18HB...	M18B...; M18HB...	M18B...; M18HB...
Anbefalede opladere	M12-18...; M1418C6	M12-18...; M1418C6	M12-18...; M1418C6

Støjinformation: Måleværdier beregnes iht. EN 62841. Værktøjets A-vurderede støjniveau er typisk:

Lydtrykniveau / Usikkerhed K	92,51 dB (A) / 3 dB (A)	92,51 dB (A) / 3 dB (A)	92,51 dB (A) / 3 dB (A)
Lydeffekt niveau / Usikkerhed K	100,51 dB (A) / 3 dB (A)	100,51 dB (A) / 3 dB (A)	100,51 dB (A) / 3 dB (A)

Brug høreværn!

Vibrationsinformation: Samlede vibrationsværdier (værdisum for tre retninger) beregnet iht. EN 62841.

Vibrationseksposering a_h / Usikkerhed K

Overfladeslibning	6,30 m/s ² / 1,5 m/s ²	7,10 m/s ² / 1,5 m/s ²	7,10 m/s ² / 1,5 m/s ²
Slibning med slibebled	1,97 m/s ² / 1,5 m/s ²	1,82 m/s ² / 1,5 m/s ²	1,82 m/s ² / 1,5 m/s ²

Ved anden anvendelse, f.eks. kapskæring eller slibning med ståltrådsbørste, kan andre vibrationsværdier forekomme!

ADVARSEL!

Det vibrations- og støjmissionsniveau, der nævnes i dette oplysningsskema, er blevet målt i overensstemmelse med en standardiseret test fra EN 62841, og det kan bruges til at sammenligne ét værktøj med et andet. Det kan bruges til en foreløbig bedømmelse af eksponeringen.

Det erklærede vibrations- og støjmissionsniveau repræsenterer værktøjets primære anvendelsesformål. Det er dog sådan, at hvis værktøjet bruges til andre formål, med forskelligt tilbehør eller dårlig vedligehold, så kan vibrations- og støjmissionen variere. Det kan evt. øge eksponeringsniveauet markant i løbet af det samlede arbejdstidsrum.

En vurdering af eksponeringsniveauet i vibration og støj bør også tage hensyn til de tidspunkter, hvor værktøjet er slukket eller hvor det kører, men rent faktisk ikke udfører jobbet. Det kan evt. mindske eksponeringsniveauet markant i løbet af det samlede arbejdstidsrum.

Identificér yderligere sikkerhedsforanstaltninger med henblik på at beskytte brugeren mod effekten af vibration og/eller støj, som fx: vedligehold værktøjet og tilbehøret, hold hænderne varme, organisering af arbejdsmønstre.

ADVARSEL! Læs alle sikkerhedsanvisninger og øvrige vejledninger. I tilfælde af manglende overholdelse af advarselshenvisningerne og instrukserne er der risiko for elektrisk stød, brand og/eller alvorlige kvæstelser.

Opbevar alle advarselshenvisninger og instrukser til senere brug.

SIKKERHEDSINFORMATIONER FOR VINKESLIBERE

Fælles advarselshenvisninger til slibning, sandpapirslibning, arbejde med trådbørster, polering og skærearbejde:

a) Dette elværktøj kan anvendes som sliber, sandpapirsliber, trådbørste og skæremaskine. Læs og overhold alle advarsler, instruktioner, illustrationer og data, som du modtager i forbindelse med elværktøjet. Overholder du ikke følgende instruktioner, kan du få elektrisk stød, der kan opstå brand og /eller du kan blive kvæstet alvorligt.

b) Dette elværktøj er ikke egnet til polering. Anvendes elværktøjet til formål, det ikke er beregnet til, kan der opstå farlige situationer, som kan medføre kvæstelser.

c) Ændr ikke dette elværktøj, så det fungerer på en måde, der ikke er specifikt designet og specificeret af værktøjsproducenten. En sådan ændring kan resultere i tab af kontrol og forårsage alvorlig personskade.

d) Anvend kun tilbehør, hvis det er beregnet til dette elværktøj og anbefalet af fabrikanten. En mulig fastgørelse af tilbehøret til elværktøjet sikrer ikke en sikker anvendelse.

e) Den tilladte hastighed for indsatsværktøjet skal mindst være så høj som den maksimale hastighed, der er angivet på elektroværktøjet. Tilbehør, der drejer hurtigere end tilladt, kan brække og de enkelte dele flyve fra hinanden.

ARBEJDSANVISNINGER

For værktøj hvorpå der skal monteres hjul med gevindskåret hul, skal De sikre, at gevindet i hjulet er langt nok til at rumme aksellængden.

Benyt og opbevar kun skære- og slibeskiver iht. fabrikantens angivelser.

Anvend altid sikkerhedsskærm ved skrubning og skæring.

Forkrøpede slibeskiver skal monteres sådan, at deres slibeflade ikke rager ud over niveauet på beskyttelsesskærmens kant.

Flangemøtrikken skal spændes inden maskinen tages i brug.

Brug altid støttegrebet.

Det arbejdsemne, som skal bearbejdes, fastspændes, medmindre det holdes på plads af arbejdsemnets egenvægt. Før aldrig emnet mod skiven med hånden.

Flangemøtrikken skal være spændt godt, inden maskinen tages i brug. Hvis indsatsværktøjet ikke er spændt godt fast med flangemøtrikken, er der mulighed for, at indsatsværktøjet vil miste den nødvendige spændkraft ved bremsningen.

OVERBELASTNINGS- OG KICKBACK-BESKYTTELSE

Maskinen er udstyret med en overload- og anti kickback-beskyttelsesfunktion og stopper i tilfælde af overbelastning. Sluk for el-værktøjet og tænd derefter igen for el-værktøjet for at fortsætte arbejdet.

BLØD OPSTART

Elektronisk blød opstart til sikker håndtering; hindrer ved indkobling en maskinstart i ryk.

BREMSESYSTEM

Udløbsbremsen aktiveres, når udløseren slippes, hvilket medfører at værktøjet stopper efter få sekunder.

Vær sikker på, at indsatsværktøjet er helt stoppet, før du lægger det ned.

Sammenlignet med værktøj uden en udløbsbremse, vil udløbstiden være meget mindre ved bremsning.

RENGØRING

Hold altid maskinens ventilationsåbninger rene.

VEDLIGEHOLDELSE

Brug kun Milwaukee-tilbehør og Milwaukee-reservedele.

Komponenter, hvor udskiftningsproceduren ikke er beskrevet, skal skiftes ud hos et Milwaukee-servicested (se brochure garanti/kundeserviceadresser).

Ved opgivelse af type nr. der er angivet på maskinens effektskilt, kan de rekvirere en reservedelstegning, ved henvendelse til: Techtronic Industries GmbH, Max-Eyth-Straße 10, 71364 Winnenden, Germany.

SYMBOLER

	Læs brugsanvisningen nøje før ibrugtagning.
	VIGTIGT! ADVARSEL! FARE!
	Ved arbejde inden i maskinen, bør batteriet tages ud.
	Brug ikke værnet til afskæringsopgaver.
	Brug ikke kraft.
	Anvend magt.
	Når der arbejdes med maskinen, skal man have beskyttelsesbriller på.
	Bær høreværn.
	Benyt egnet åndedrætsværn.
	Brug beskyttelseshandsker!
	Arbejd altid med begge hænder.
	Kun til slibearbejder.
	Kun til skærearbejder.
	Vær opmærksom på den tilladte skivetykkelse.
	Tilbehør - Ikke inkluderet i leveringsomfanget, køb købes som tilbehør.
	Omdrejningsretning



Udtjente batterier, affald af elektrisk og elektronisk udstyr må ikke bortskaffes sammen med husaffald. Udtjente batterier, affald af elektrisk og elektronisk udstyr skal indsamles og bortskaffes særskilt. Fjern udtjente batterier, udtjente akkumulatører og lysmidler fra udstyret, inden det bortskaffes. Spørg efter genbrugsstationer og indsamlingssteder hos de lokale myndigheder eller din fagforhandler. Alt efter de lokale bestemmelser kan detailhandlere være forpligtede til gratis at tage brugte batterier, affald af elektrisk og elektronisk udstyr tilbage. Bidrag til at nedbringe behovet for råmaterialer ved at genbruge og genanvende dine udtjente batterier, affald af elektrisk og elektronisk udstyr. Udtjente batterier (især lithium-ion-batterier), affald af elektrisk og elektronisk udstyr indeholder værdifulde, genanvendelige materialer, som kan have en negativ effekt på miljøet og dit helbred ved ikke miljørigtig bortskaffelse. Slet inden bortskaffelsen personrelaterede data, som måtte befinde sig på dit affald af udstyret.

	Nominelt omdrejningstal
	Spænding
	Jævnstrøm
	Europæisk konformitetsmærke
	Britisk konformitetsmærke
	Ukrainsk konformitetsmærke
	Eurasisk konformitetsmærke

kan bøyes av sin egen vekt. Arbeidsstykket må støttes på begge sider, både nær kappesnittet og på kanten.

f) Vær spesielt forsiktig ved "lommekutt" i ferdige vegger eller andre områder som ikke kan sees inn i. Den inntrengende kappeskiven kan treffe på gass- eller vannledninger, elektriske ledninger eller gjenstander som kan forårsake tilbakelag.

g) Ikke prøv å skjære i bue. Dersom man overbelastet hjulet øker man belastningen og følsomheten for vridding eller binding av hjulet i skjæringen og muligheten for tilbakeslag eller hjulbrudd, noe som kan føre til alvorlig personskade.

Sikkerhetsadvarsler som er spesifikke for slipeoperasjoner:

a) Bruk slipeplatepapir av riktig størrelse. Følg produsentens anbefalinger når du velger slipepapir. Større slipepapir som strekker seg for langt utover slipeputen utgjør en laserasjonsfare og kan forårsake festing, riving av platen eller tilbakelag.

Sikkerhetsadvarsler som er spesifikke for stålborstingsoperasjoner:

a) Vær oppmerksom på at stålborsten også ved normal bruk mister deler. Ikke overbelast børsten med for høyt trykk. Stålparkiklene som løsner kan lett trenge gjennom tynne klær og/eller inn i huden.

b) Hvis bruken av en beskyttelse er spesifisert for stålborsting, må du ikke tillate forstyrrelser på tråd hjulet eller børsten med beskyttelsen. Tallerken- og koppborster kan få større diameter med presstrykk og sentrifugalkrefter.

YTTERLIGE SIKKERHETS- OG ARBEIDSINSTRUKSJONER

Kontroller alltid at spindellåseknappen er helt frigjort før du slår på verktøyet! Etter bruk av spindellåsen for å stramme / løse slipeskiven, er det mulig at knappen kan holde seg i låsestillingen.

Ved sliping av metall flyr det gnister. Pass på at ingen personer blir utsatt for fare. På grunn av brannfaren må det ikke finnes noen brennbare materialer i nærheten (gnistområdet). Ikke bruk støvavsug.

Unngå at flyvende gnister og slipestøv treffer kroppen.

Ikke grip inn i fareområdet mens maskinen er i gang.

Spon eller filser må ikke fjernes mens maskinen er i gang.

Slå straks av apparat når det oppstår store svingninger eller du fastslår andre mangler. Kontroller maskinen for å fastslå årsaken.

Under ekstreme forhold (f.eks. ved glattsliping av metaller med doren og vulkanfiber-slipeskiven), kan det bygge seg opp en betydelig mengde smuss på innsiden av slipemaskinen.

På grunn av kortslutningsfare må metalldeleer ikke komme inn i lufteåpningene.

ADVARSEL! Brannfare! Skiven og arbeidsstykket blir varmt under bruk. Bruk hansker når du skifter skiver eller berører arbeidsstykket. Hold hendene vekk fra slipeområdet til enhver tid.

ADVARSEL! For å unngå fare for en brann forårsaket av en kortslutning, av personskader eller skader av produktet, må det forhindres at batteripakken eller laderen dyppes i væsker og også sørges for at ingen væsker kan komme inn i apparatene eller batteriene. Korroderende og ledende væsker som saltvann, visse kjemikalier og blekemidler eller produkt som inneholder blekemidler kan forårsake en kortslutning.

Ikke åpne vekselbatterier og ladere, de skal oppbevares i tørre rom. Beskyttes mot fuktighet.

Vekselbatterier av systemet M18 skal kun lades med lader av systemet M18. Ikke lad opp batterier fra andre systemer.

FORMALSMESSIG BRUK

Vinkelsliperen er beregnet for sliping og skjæring av metall, stein, betong og keramiske materialer samt sliping og stålborsting.

Bruk en sagehette fra tilbehørslisten når du sager.

I tvilstilfeller ta hensyn til instruksjonene til produsenten av tilbehøret.

Elektroverktøyet er kun egnet for tørr bearbeiding.

Bare hensiktsmessige slipe- eller skjæreskiver og relaterte vern (slipevern eller skjæreværn) som beskrevet i produktspekifikasjonsdelen i denne håndboken, skal monteres på vinkelsliperen. Vinkelsliperen er utformet for håndholdt bruk; den skal ikke monteres på en fikstur eller arbeidsbenk.

Ikke bruk produktet på annen måte enn det som er angitt for beregnet bruk.

RESTFARER

Også ved sakkyndig bruk kan ikke alle restrisikoer utelukkes. Ved bruk kan følgende farer oppstå og som bruker spesielt skulle ta hensyn til:

- Skader forårsaket av vibrasjon. Hold alltid apparatet i håndtakene som er konstruert for dette og begrens arbeids- og eksponeringstiden.
- Støy kan føre til hørselsskader. Bruk hørselvern og begrens eksponeringens varighet.
- Øyeskader forårsaket av smusspartikler. Bruk alltid vernebriller, solide langbukser, hansker og stødige sko.
- Innånding av giftig støv

INFORMASJON SOM GJELDER LI-ION BATTERIPAKKER

Bruk av Li-Ion batteripakker

Vekselbatterier som ikke er brukt over lengre tid skal etterlades før bruk.

En temperatur over 50°C reduserer vekselbatteriets kapasitet. Unngå oppvarming i sol eller ved varmeovner (fyring) i lengre tid. Hold tilkoplingskontaktene på lader og vekselbatteriet rene. For optimal holdbarhet må batteriene lades opp helt etter bruk. For å sikre en lengst mulig brukstid av batteriene skal disse etter oppladning taes ut av laderen.

Ved lagring av batteriene lengre enn 30 dager: Batteriet skal lagres på temperaturer under 27 °C og unna fuktighet. Lagre batteriet ved en oppladningstilstand på ca. 30%-50%.. Lade opp batteriet igjen etter 6 måneder.

Overlastvern i Li-Ion batteripakker

Ved overbelastning av det oppladbare batteriet p.g.a. svært høyt strømforbruk; f.eks. ekstrem høye dreiemoment, plutselig stopp eller kortslutning, vibrert elektroverktøyet 5 sekunder, displayet for opplading blinker og elektroverktøyet utkobler seg automatisk.

For gjeninnkobling, slipp løs bryteren og slå så på igjen. Ved ekstreme belastninger opphører det oppladbare batteriet seg for sterkt. I slike tilfeller blinker alle lampene på displayet til batteriet er avkjølt. Når lampene har sluttet å blinke, kan man fortsette å arbeide.

Transport av Litium-Ion-Batteri

Litium-ion-batterier faller under de lovfestede forskriftene om transport av farlig gods.

Transporten av disse batteriene må rette seg etter lokale, nasjonale og internasjonale forskrifter og bestemmelser.

Forbruker har lov å transportere disse batteriene på gaten uten reglementering.

Den kommersielle transport av Litium-ion-batterier av spedisjonsfirma faller under bestemmelsene om transport av farlig gods. Forberedningene av forsendelsen og transport skal utelukkende gjennomføres av personer som har blitt skolert til dette. Hele prosessen skal følges opp av fagfolk.

Følgende punkter skal tas hensyn til ved transport:

Kontroller at kontaktene er beskyttet og isolert for å unngå kortslutninger.

Pass på at batteripakken i forpakningen ikke kan skli fram og tilbake. Skadete eller batterier som lekker er det ikke lov å transportere. Ta kontakt med spedisjonsfirma for ytterlige henvisninger.

ARBEIDSINSTRUKSJONER

For verktøy som skal tilpasses hjul med gjengete hull, påse at gjengen i hjulet er langt nok til spindellengden.

Bruk og oppbevar kappe- og slipeskiver alltid i henhold til produsentens anvisninger.

Arbeid alltid med vermedeksel ved rubbing og kapping.

Bøyde slipeskiver skal monteres slik at slipeflaten ikke rager ut over kanten av vernehettens flate.

Flensmutteren må være trukket til før maskinen startes.

Bruk alltid ekstrahåndtaket.

Det emnet som skal bearbeides må være fastspent, hvis det ikke blir holdt av sin egen vekt. Før aldri emnet med hånden mot skiven.

Flensmutteren må skrues skikkelig fast før maskinen igangsettes. Dersom insettingsverktøyet ikke skrues fast med flensmutteren, består muligheten at insettingsverktøyet taper den nødvendige spennkraften ved nedbremsingen.

BESKYTTELSE MOT OVERBELASTNING OG KAST

Apparatet har en overlastnings- og Anti-Kickback vernefunksjon og stopper ved tilsvarende overvekt. Skru av elektroverktøyet og skru det så på igjen for å fortsette med jobben.

LETTOPPSTARTING

Gjennom elektronisk lettoppstart aksellererer maskinen kontinuerlig til det som er blitt valgt

BREMSESYSTEM

Bremsen kobles inn når startbryteren slippes og fører til at verktøyet stanser innen få sekunder.

Forsikre deg om at verktøyet har stanset helt før du legger det fra deg.

Sammenlignet med verktøy uten kjørebremser, reduseres kjøretiden betraktelig når du bremser.

RENGJØRING

Hold alltid lufteåpningene på maskinen rene.

VEDLIKEHOLD

Bruk kun Milwaukee tilbehør og Milwaukee reservedeler. Komponenter der utskifting ikke er beskrevet skal skiftes ut hos Milwaukee kundeservice (se brosjyre garanti/kundeserviceadresser).

Ved behov kan du be om en eksplosjonstegning av apparatet hos din kundeservice eller direkte hos Techtronic Industries GmbH, Max-Eyth-Straße 10, 71364 Winnenden, Germany. Oppgi maskintype og det nummeret på typeskillet.

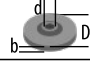
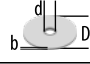
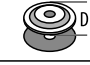

SYMBOLER

	Les nøye gjennom bruksanvisningen før maskinen tas i bruk.
	OBS! ADVARSEL! FARE!
	Ta ut vekselbatteriet før du arbeider på maskinen
	Ikke bruk beskyttelsen til avskjæringsoperasjoner.
	Ikke bruk kraft.
	Bruk makt.
	Bruk alltid vernebrille når du arbeider med maskinen.
	Bruk hørselsvern.
	Bruk derfor verneemaske som er egnet for støv.
	Bruk vernehansker !
	Bruk alltid to hender.
	Kun for sliping.
	Kun for kapping.
	Vær oppmerksom på tillatt platetykkelse.
	Tilbehør - inngår ikke i leveransen, anbefalt komplette-ring fra tilbehørsprogrammet.
	Rotasjonsretningen



Elektrisk og elektronisk avfall skal ikke avfallshåndteres sammen med husholdningsavfallet. Brukte batterier, elektrisk og elektronisk avfall skal samles kildesortert og avfallshåndteres. Fjern brukte batterier, akkumulatører og lysmidler fra apparatene før de kasseres. Be om informasjon hos de lokale myndighetene eller hos din fagforhandler om miljøstasjoner og samlesteder. Avhengig av de lokale bestemmelsene kan detaljhandlere være forpliktet til å ta tilbake brukte batterier, elektrisk og elektronisk avfall uten kostnader. Bidra til å redusere behovet for råmaterialer ved å sørge for gjenbruk og resirkulering av dine brukte batterier og ditt elektriske og elektroniske avfall. Brukte batterier (særlig litium-ion-batterier), elektrisk og elektronisk avfall inneholder verdifulle, gjenbrukbare materialer som ved ikke-miljøriktig avfallshåndtering kan ha negative konsekvenser for miljøet og din helse. Slett først eventuelle personrelaterte data fra det brukte apparatet før det avfallshåndteres.

n	Nominelt turtall
V	Spenning
≡	Likestrøm
CE	Europeisk samsvarsmerke
UK CA	Britisk samsvarsmerke
001	Ukrainsk samsvarsmerke
EAC	Euroasiatisk samsvarsmerke

TEKNISKA DATA	M18 BLSAG125X	M18 BLSAG115XPD	M18 BLSAG125XPD
Typ	Batteridrevne vinkelslip	Batteridrevne vinkelslip	Batteridrevne vinkelslip
Produktionsnummer	4972 15 01 XXXXXX MJJJJ	4972 25 01 XXXXXX MJJJJ	4972 35 01 XXXXXX MJJJJ
Batterispänning	18 V	18 V	18 V
Märkvarvtal	11000 min ⁻¹	11000 min ⁻¹	11000 min ⁻¹
Spindelgänga	M14	M14	M14
D=Slipskivor-Ø max.	125 mm	115 mm	125 mm
d=Ø hål	22,2 mm	22,2 mm	22,2 mm
 b=Slipskivstjocklek max.	6 mm	6 mm	6 mm
 b=Kapskivstjocklek max. / min.	3 mm / 1 mm	3 mm / 1 mm	3 mm / 1 mm
 D=Slipskivans diameter max.	125 mm	115 mm	125 mm
 D=Stålborste ø max.	75 mm	75 mm	75 mm
Vikt enligt EPTA 01/2014 (Li-Ion 2,0 Ah ... 12,0 Ah)	2,2 ... 3,3 kg	2,2 ... 3,3 kg	2,2 ... 3,3 kg
Rekommenderad omgivningstemperatur för driften	-18 ... +50 °C	-18 ... +50 °C	-18 ... +50 °C
Rekommenderade batterier (Akkupacks)	M18B...; M18HB...	M18B...; M18HB...	M18B...; M18HB...
Rekommenderade laddare	M12-18...; M1418C6	M12-18...; M1418C6	M12-18...; M1418C6

Bullerinformation: Mätvärdena har tagits fram baserade på EN 62841.

A-värdet av maskinens ljudnivå utgör:

Ljudtrycksnivå / Onoggrannhet K	92,51 dB (A) / 3 dB (A)	92,51 dB (A) / 3 dB (A)	92,51 dB (A) / 3 dB (A)
Ljudeffektsnivå / Onoggrannhet K	100,51 dB (A) / 3 dB (A)	100,51 dB (A) / 3 dB (A)	100,51 dB (A) / 3 dB (A)

Använd hörselskydd!

Vibrationsinformation: Totala vibrationsvärden (vektorsumma ur tre riktningar) framtaget enligt EN 62841.

Vibrationsemissionsvärde a_v / Onoggrannhet K

Ytslipning	6,30 m/s ² / 1,5 m/s ²	7,10 m/s ² / 1,5 m/s ²	7,10 m/s ² / 1,5 m/s ²
Slipning med slipblad	1,97 m/s ² / 1,5 m/s ²	1,82 m/s ² / 1,5 m/s ²	1,82 m/s ² / 1,5 m/s ²

Om man använder verktyget för andra ändamål, t ex för kapning eller slipning med stålborste, kan man få andra vibrationsvärden!

⚠️ VARNING!

De deklarerade vibrations- och bullernivåerna på detta informationsblad har uppmätts i ilighet med en standardiserad testmetod enligt EN 62841 och kan användas för att jämföra ett verktyg med ett annat. Det kan användas för en preliminär bedömning av exponeringen. Den angivna vibrations- och bullernivån representerar verktygets huvudsakliga tillämpningar. Om verktyget emellertid används för olika tillämpningar, med olika eller dåligt underhållna tillbehör, kan vibrations- och bullerutsläppet variera. Detta kan öka exponeringsnivån avsevärt över den totala arbetsperioden.

En uppskattning av exponeringsnivån för vibrationer och buller bör även ta hänsyn till de tider då verktyget är avstängt eller när det körs utan att faktiskt arbeta. Detta kan avsevärt minska exponeringsnivån över den totala arbetsperioden.

Identifiera ytterligare säkerhetsåtgärder för att skydda operatören mot effekterna av vibrationer och/eller buller såsom: underhåll av verktyget och tillbehören, hålla händerna varma, organisation av arbetsmönster.

⚠️ VARNING! Läs alla säkerhetsanvisningar och andra tillhörande anvisningar. Fel som uppstår till följd av att anvisningarna nedan inte följts kan orsaka elstöt, brand och/eller allvarliga kroppsskador.

Förvara alla varningar och anvisningar för framtida bruk.

SÄKERHETSINSTRUKTIONER FÖR VINKELSLIP

Gemensamma säkerhetsanvisningar för slipning, sandpappersslipning, arbeten med stålborste, polering och kapslipning:

a) Elverket kan användas som slip-, slippappersslip-, stålborste-, och kapslipmaskin.. Beakta alla säkerhetsanvisningar, anvisningar, illustrationer och data som levereras med elverket. Om nedanstående anvisningar ignoreras finns risk för att elstöt, brand och/eller allvarliga personskador uppstår.

b) Den här maskinen är inte avsedd för polering. Tillämpningar som maskinen inte är avsedd för kan förorsaka faror och personskador.

c) Omvandla inte det här elverket så att det fungerar på ett sätt som inte är specifikt utformat och specificerat av verktygstillverkaren. En sådan omvandling kan leda till förlust av kontroll och orsaka allvarlig personskada.

d) Använd inte tillbehör som tillverkaren inte uttryckligen godkännt och rekommenderat för detta elverktyg. Även om tillbehör kan fästas på elverket finns det ingen garanti för en säker användning.

e) Det tillåtna varvtalet för insatsverktyget måste minst vara så högt som angivet högsta varvtal på elektroverktyget. Tillbehör som roterar snabbare än tillåtet, kan gå sönder och flyga omkring.

ARBETSANVISNINGAR

För verktyg avsedda att förse med skivor med gängat hål, bör man kontrollera att skivans gängning är tillräckligt lång att hantera spindelns

Använd och förvara alltid kap- och slipskivorna enligt tillverkarens anvisningar.

Använd alltid skyddskåpa vid slipning och kapning.

Vinkelböjda slipskivor ska monteras så, att deras slipyta inte står ut över skyddskåpans kant.

Flämsmuttern skall vara åtdragen innan start av maskinen.

Använd alltid stödhandtag.

Spänn fast arbetsstycket om det inte ligger stadigt till följd av egen vikt. För aldrig arbetsstycket för hand mot slipskivan.

Se till att flämsmuttern är ordentligt åtdragen innan du tar maskinen i drift. Om insatsverktyget inte är ordentligt åtdraget med flämsmuttern finns risk att insatsverktyget vid inbromsning förlorar den spännkraft som krävs.

SKYDD MOT ÖVERBELASTNING OCH BAKSLAG

Verktyget har en overload- och anti kickback-funktion och stannar vid överbelastning. Stäng av elverktyget, och slå sedan på elverktyget igen för att fortsätta arbeta.

MJUKSTART

Mjukstart för säker hantering, inget ryck vid uppstart av maskinen.

BROMSSYSTEM

Rullbromsen griper in när på-/av-knappen släpps, vilket gör att verktyget stannar inom några sekunder.

Förvissa dig om att införingsverktyget har stannat helt innan du lägger ner det.

Jämfört med verktyg utan rullbroms reduceras körtiden avsevärt genom bromsningen.

TVÅTTRÅD

Se till att motorhöljets luftslitsar är rena.

SKÖTSEL

Använd endast Milwaukee-tillbehör och Milwaukee-reservdelar. Komponenter, för vilka inget byte beskrivs, skall bytas ut hos Milwaukee-kundtjänst (se broschyren garanti-/kundtjänstadresser).

Vid behov av sprängskiss, kan en sådan, genom att uppge maskinens art. nr. (som finns på typskylten) erhållas från: Techtronic Industries GmbH, Max-Eyth-Straße 10, 71364 Winnenden, Germany.

SYMBOLER



Läs instruktionen noga innan du startar maskinen.



OBSERVERA! VARNING! FARA!



Drag ur batteripaket innan arbete utföres på maskinen.



Använd inte skyddet för kapning.



Använd ingen kraft.



Använd kraft.



Använd alltid skyddsglasögon.



Bär hörselskydd.



Bär därför lämplig skyddsmask.



Bär skyddshandskar!



Arbeta alltid med båda händerna.



Endast för slipning.



Endast för kapning.



Beakta den tillåtna tjockleken på skivor.



Tillbehör - Ingår ej i leveransomfånget, erhålles som tillbehör.



Rotationsriktning



Förbrukade batterier och avfall som utgörs av eller innehåller elektrisk och elektronisk utrustning (WEEE) får inte slängas tillsammans med de vanliga hushållsoporna. Förbrukade batterier eller WEEE ska samlas och avfallshandteras separat. Ta ut förbrukade batterier, förbrukade ackumulatörer och ljuskällor ur produkterna innan de avfallshandteras. Kontakta den lokala myndigheten respektive kommunen eller fråga återförsäljare var det finns speciella avfallsstationer för elskrot. Beroende på de lokala bestämmelserna kan återförsäljare vara skyldiga att ta tillbaka förbrukade batterier eller WEEE gratis. Bidra till att minska behovet av råämnen genom återanvändning och återvinning av dina förbrukade batterier eller ditt WEEE. Förbrukade batterier (i synnerhet litiumjonbatterier) och WEEE innehåller värdefulla återvinningsbara material som kan skada miljön och din hälsa om de inte avfallshandteras på korrekt sätt. Tänk på att radera eventuella personuppgifter som kan finnas på din utrustning innan du lämnar den till avfallshandteringen.

n

Märkvarvtal

V

Spänning



Likström



Europeiskt konformitetsmärke



Britiskt konformitetsmärke



Ukrainskt konformitetsmärke

001



Euroasiatiskt konformitetsmärke



Älä hävitä käytettyjä paristoja, sähkö- ja elektroniikkakaromua lajittelemattomana yhdyskuntajätteenä. Käytetyt paristot sekä sähkö- ja elektroniikkaromu on kerättävä erikseen. Käytetyt paristot, romuakut ja valonlähteet on irrotettava laitteista. Kysy paikallisilta viranomaisilta tai jälleenmyyjiltä neuvoo kierrättämiseen ja tietoa keräyspisteestä. Paikalliset säännökset saattavat velvoittaa vähittäiskauppiaat ottamaan käytetyt paristot, sähkö- ja elektroniikkaromun takaisin maksutta. Panoksesi käytettyjen paristojen sekä sähkö- ja elektroniikkalaiteromun uudelleenkäytössä ja kierrätyksessä auttaa vähentämään raaka-aineiden kysyntää. Käytetyt paristot, etenkin litiumia sisältävät, sekä sähkö- ja elektroniikkaromu sisältävät arvokkaita, kierrätettäviä materiaaleja, jotka saattavat vaikuttaa haitallisesti ympäristöön ja ihmisten terveyteen, jos niitä ei hävitetä ympäristöstävällisesti. Poista mahdolliset henkilökohtaiset tiedot hävitettävästä laitteesta.

n	Nimellinen kierrosluku
V	Jännite
	Tasavirta
	Euroopan säännönmukaisuusmerkki
	Britannian säännönmukaisuusmerkki
	Ukrainan säännönmukaisuusmerkki
	Euraasian säännönmukaisuusmerkki

TEKNIKA ΣΤΟΙΧΕΙΑ	M18 BLSAG125X	M18 BLSAG115XPD	M18 BLSAG125XPD	
Κατασκευαστικό είδος	ΓΩΝΙΑΚΟΣ ΤΡΟΧΟΣ ΜΠΑΤΑΡΙΑΣ	ΓΩΝΙΑΚΟΣ ΤΡΟΧΟΣ ΜΠΑΤΑΡΙΑΣ	ΓΩΝΙΑΚΟΣ ΤΡΟΧΟΣ ΜΠΑΤΑΡΙΑΣ	
Αριθμός παραγωγής	4972 15 01 XXXXXX MJJJJ	4972 25 01 XXXXXX MJJJJ	4972 35 01 XXXXXX MJJJJ	
Τάση ανταλλακτικής μπαταρίας	18 V	18 V	18 V	
Ονομαστικός αριθμός στροφών	11000 min ⁻¹	11000 min ⁻¹	11000 min ⁻¹	
Σπειρωμα ατράκτου	M14	M14	M14	
D=Μέγιστη διάμετρος δίσκου λείανσης Μέγ.	125 mm	115 mm	125 mm	
d=διάμετρος στήψ	22,2 mm	22,2 mm	22,2 mm	
	b=Πάχος τροχού λείανσης Μέγ.	6 mm	6 mm	6 mm
	b=Πάχος δίσκου κοπής Μέγ. / Ελάχ.	3 mm / 1 mm	3 mm / 1 mm	3 mm / 1 mm
	D=Διάμετρος δίσκου λείανσης Μέγ.	125 mm	115 mm	125 mm
	D=Διάμετρος συρματόβουρτσας Μέγ.	75 mm	75 mm	75 mm
Βάρος σύμφωνα με τη διαδικασία EPTA 01/2014 (Li-Ion 2,0 Ah ... 12,0 Ah)	2,2 ... 3,3 kg	2,2 ... 3,3 kg	2,2 ... 3,3 kg	
Συνιστώμενη θερμοκρασία περιβάλλοντος για τη λειτουργία	-18 ... +50 °C	-18 ... +50 °C	-18 ... +50 °C	
Συνιστώμενη δέσμη συσσωρευτών	M18B...; M18HB...	M18B...; M18HB...	M18B...; M18HB...	
Συνιστώμενη συσκευή φόρτισης	M12-18...; M1418C6	M12-18...; M1418C6	M12-18...; M1418C6	
Πληροφορίες θορύβου: Τιμές μέτρησης εξακριβωμένες κατά EN 62841. Η σύμφωνη με την καμπύλη A εκτιμηθείσα στάθμη θορύβου του μηχανήματος αναφέρεται σε: Στάθμη ηχητικής πίεσης / Ανασφάλεια K 92,51 dB (A) / 3 dB (A) 92,51 dB (A) / 3 dB (A) 92,51 dB (A) / 3 dB (A) Στάθμη ηχητικής ισχύος / Ανασφάλεια K 100,51 dB (A) / 3 dB (A) 100,51 dB (A) / 3 dB (A) 100,51 dB (A) / 3 dB (A)				
Φοράτε προστασία ακοής (ωασιπίδες)!				
Πληροφορίες δόνησεων: Υλικές τιμές κραδασμών (άθροισμα διανυσμάτων τριών διευθύνσεων) εξακριβώθηκαν σύμφωνα με τα πρότυπα EN 62841. Τιμή εκπομπής δόνησεων a _n / Ανασφάλεια K Λείανση επιφανειών 6,30 m/s ² / 1,5 m/s ² 7,10 m/s ² / 1,5 m/s ² 7,10 m/s ² / 1,5 m/s ² Λείανση με γυαλόχαρτο 1,97 m/s ² / 1,5 m/s ² 1,82 m/s ² / 1,5 m/s ² 1,82 m/s ² / 1,5 m/s ²				
Σε άλλες εφαρμογές, όπως π.χ. διαχωριστική λείανση ή λείανση με τη συρματόβουρτσα μπορεί να προκύψουν άλλες τιμές ταλαντώσεων!				

ΠΡΟΕΙΔΟΠΟΙΗΣΗ!

Το αναφερόμενο στο παρόν φυλλάδιο επίπεδο τιμών δόνησης και εκπομπής θορύβου έχει μετρηθεί σύμφωνα με μια τυπική μέθοδο δοκιμών κατά το πρότυπο EN 62841 και μπορεί να χρησιμοποιηθεί για τη σύγκριση εργαλείων μεταξύ τους. Μπορεί να χρησιμοποιηθεί για μια προκαταρκτική αξιολόγηση της έκθεσης.

Οι αναφερόμενες τιμές επιπέδων δόνησης και εκπομπής θορύβου αντιστοιχούν στις βασικές εφαρμογές του εργαλείου. Στην περίπτωση χρήσης του εργαλείου σε διαφορετικές εφαρμογές, με διαφορετικά εξαρτήματα ή ανεπαρκή συντήρηση, τα επίπεδα δόνησης και εκπομπών θορύβου ενδέχεται να διαφέρουν. Αυτό μπορεί να έχει ως συνέπεια μία σημαντική αύξηση των επιπέδων έκθεσης καθόλη τη διάρκεια εκτέλεσης των εργασιών.

Για μία εκτίμηση των επιπέδων έκθεσης σε δόνηση και θόρυβο πρέπει να συνυπολογίζονται οι χρόνοι απενεργοποίησης του εργαλείου ή αυτοί κατά τους οποίους παραμένει ενεργό χωρίς να εκτελείται κάποια εργασία. Αυτό μπορεί να μειώσει σημαντικά τα επίπεδα έκθεσης καθόλη τη διάρκεια εκτέλεσης των εργασιών.

Ορίστε πρόσθετα μέτρα προστασίας του χειριστή από την έκθεση στη δόνηση ή/και στον θόρυβο όπως: συντήρηση του εργαλείου και των παρελκόμενων εξαρτημάτων, διατήρηση θερμότητας των χεριών, οργάνωση μοτίβων εργασιών.

ΠΡΟΕΙΔΟΠΟΙΗΣΗ! Διαβάστε όλες τις Υποδείξεις ασφαλείας και τις Οδηγίες. Αμέλειες κατά την τήρηση των προειδοποιητικών υποδείξεων μπορεί να προκαλέσουν ηλεκτροπληξία, κίνδυνο πυρκαγιάς ή/και σοβαρούς τραυματισμούς. Φυλάξτε όλες τις προειδοποιητικές υποδείξεις και οδηγίες για κάθε μελλοντική χρήση.

ΟΔΗΓΙΕΣ ΑΣΦΑΛΕΙΑΣ ΓΙΑ ΤΡΙΒΕΙΟ ΓΩΝΙΑΣ.

Κοινές προειδοποιητικές υποδείξεις για λείανση και λείανση με σμυριδόχαρτο, για εργασίες με συρματόβουρτσα, για στίλβωση και για εργασίες κοπή

a) Αυτό το ηλεκτρικό εργαλείο πρέπει να χρησιμοποιείται σαν λειαντήρας με σμυριδόχαρτο, για εργασίες με συρματόβουρτσα και σαν μηχανήμα κοπής.. Να λαμβάνετε πάντοτε υπόψη σας όλες τις προειδοποιητικές υποδείξεις, τις οδηγίες, τις απεικονίσεις και τα στοιχεία που σας παραδίδονται μαζί με το ηλεκτρικό εργαλείο. Η μη τήρηση των οδηγιών που ακολουθούν, μπορεί να οδηγήσει σε ηλεκτροπληξία, φωτιά και/ή σε σοβαρούς τραυματισμούς.

ή προϊόντα που περιέχουν λευκαντικά, μπορεί να προκαλέσουν βραχυκύκλωμα.

Μην ανοίγετε τις ανταλλακτικές μπαταρίες και τους φορτιστές και χρησιμοποιείτε για αποθήκευση μόνο στεγνού χώρου. Προστατέψτε τις ανταλλακτικές μπαταρίες και τους φορτιστές από την υγρασία.

Φορτίζετε τις ανταλλακτικές μπαταρίες του συστήματος M18 μόνο με φορτιστές του συστήματος M18. Μη φορτίζετε μπαταρίες από άλλα συστήματα.

ΧΡΗΣΗ ΣΥΜΦΩΝΑ ΜΕ ΤΟ ΣΚΟΠΟ ΠΡΟΟΡΙΣΜΟΥ

Ο γωνιακός τροχός προορίζεται για τη λείανση ή την κοπή μετάλλου, πέτρας, σκυροδέματος και κεραμικών υλικών, καθώς και για το τρίψιμο με γυαλόχαρτο και την επεξεργασία με συμπαγόμενους.

Για την κοπή, χρησιμοποιήστε το κατάκι κοπής από την περιοχή των εξαρτημάτων.

Σε περίπτωση αμφιβολιών προσέχετε τις υποδείξεις του κατασκευαστή των πρόσθετων εξαρτημάτων.

Η ηλεκτρική συσκευή είναι κατάλληλη μόνο για επεξεργασία χωρίς νερό.

Πρέπει να χρησιμοποιείτε μόνο ενδεδειγμένους δίσκους λείανσης ή κοπής και σχετικά προστατευτικά (προστατευτικό λείανσης ή προστατευτικό κοπής) με το γωνιακό τροχό, όπως περιγράφεται στην ενότητα προδιαγραφών προϊόντος του παρόντος εγχειριδίου. Ο γωνιακός τροχός είναι σχεδιασμένος για φορητή χρήση. Δεν πρέπει να σταθεροποιείται σε διάταξη σύσφιξης ή σε πάγκο εργασίας. Μη χρησιμοποιείτε το προϊόν με οποιονδήποτε άλλο τρόπο από αυτούς που δηλώνονται για την προβλεπόμενη χρήση.

ΛΟΙΠΟΙ ΚΙΝΔΥΝΟΙ

Ακόμη και σε κανονική χρήση δεν μπορούν να αποκλείονται όλοι οι υπολειπόμενοι κίνδυνοι. Κατά τη χρήση θα μπορούσαν να προκύψουν οι ακόλουθοι κίνδυνοι, στους οποίους θα έπρεπε να δίνει ο χειριστής ιδιαίτερη προσοχή:

- Τραυματισμοί που προκύπτουν από δονήσεις. Να κρατάτε το μηχάνημα από τις προβλεπόμενες για το σκοπό αυτό χειρολαβές και να περιορίζετε το χρόνο εργασίας και έκθεσης.
- Η ηχορρύπανση μπορεί να οδηγήσει σε ακουστικά τραύματα. Να φοράτε προστατευτικά ακοής και να περιορίζετε τη διάρκεια έκθεσης.
- Τραυματισμοί των οφθαλμών που προκύπτουν από ρυπαρόνα σωματίδια. Να φοράτε πάντα προστατευτικά γυαλιά, ανθεκτικά, μακριά παντελόνια, γάντια και ανθεκτικά υποδήματα.
- Εισπνοή δηλητηριώδους σκόνης.

ΥΠΟΔΕΙΞΕΙΣ ΓΙΑ ΕΠΑΝΑΦΟΡΤΙΖΟΜΕΝΕΣ ΜΠΑΤΑΡΙΕΣ ΙΟΝΤΩΝ ΛΙΘΙΟΥ

Χρήση επαναφορτιζόμενων μπαταριών ιόντων λιθίου

Επαναφορτίζετε τις ανταλλακτικές μπαταρίες που δεν έχουν χρησιμοποιηθεί για μεγαλύτερο χρονικό διάστημα πριν τη χρήση.

Μια θερμοκρασία πάνω από 50°C μειώνει την ισχύ της ανταλλακτικής μπαταρίας. Αποφειγείτε τη θέρμανση για μεγαλύτερο χρονικό διάστημα από τον ήλιο ή τις συσκευές θέρμανσης. Διατηρείτε τις επαφές σύνδεσης στο φορτιστή και στην ανταλλακτική μπαταρία καθαρές.

Για μια άριστη διάρκεια ζωής πρέπει μετά τη χρήση οι μπαταρίες να φορτιστούν πλήρως. Για μια κατά το δυνατόν μεγάλη διάρκεια ζωής οι μπαταρίες μετά τη φόρτιση οφείλουν να αφαιρεθούν από το φορτιστή.

Για την αποθήκευση της μπαταρίας για διάστημα μεγαλύτερο των 30 ημερών:

Αποθηκεύετε το πακέτο μπαταρίας σε χώρο με θερμοκρασία μικρότερη από 27 °C και χωρίς υγρασία. Αποθηκεύετε τη μπαταρία περ. στο 30%-50% της κατάστασης φόρτισης.

Κάθε 6 μήνες φορτίζετε εκ νέου τη μπαταρία.

Προστασία υπερφόρτισης επαναφορτιζόμενων μπαταριών ιόντων λιθίου

Σε υπερφόρτωση της μπαταρίας από πολύ υψηλή κατανάλωση

ρεύματος, π. χ. από ακραίες υψηλές ροπές περιστροφής, μπλοκάρισμα του τρυπανιού, δονείται το ηλεκτρικό εργαλείο για 5 δευτερόλεπτα, αναβοσβήνει η ένδειξη φόρτισης και το ηλεκτρικό εργαλείο απενεργοποιείται αυτόματα.

Για μια νέα ενεργοποίηση, αφήνετε ελεύθερο το διακόπτη και στη συνέχεια ενεργοποιείτε εκ νέου. Κάτω από ακραίες καταπονήσεις θερμαίνεται πάρα πολύ η μπαταρία. Στην περίπτωση αυτή αναβοσβήνουν όλες οι λάμπες της ένδειξης φόρτισης μέχρι να έχει κρυσώσει η μπαταρία. Μετά το σβήσιμο της ένδειξης φόρτισης μπορεί να συνεχιστεί η συνεργασία.

Μεταφορά των μπαταριών ιόντων λιθίου

Οι μπαταρίες ιόντων λιθίου υπόκεινται στις απαιτήσεις των νομικών διατάξεων για την μεταφορά επικινδύνων εμπορευμάτων.

Η μεταφορά τέτοιων μπαταριών πρέπει να πραγματοποιείται τηρώντας τους τοπικούς, εθνικούς και διεθνείς κανονισμούς και τις αντίστοιχες διατάξεις.

Επιτρέπεται η μεταφορά τέτοιων μπαταριών στο δρόμο χωρίς περαιτέρω απαιτήσεις.

Η εμπορική μεταφορά μπαταριών ιόντων λιθίου από εταιρείες μεταφορών υπόκειται στις απαιτήσεις των νομικών διατάξεων για την μεταφορά επικινδύνων εμπορευμάτων. Οι προετοιμασίες αποστολής και η μεταφορά πραγματοποιούνται αποκλειστικά από ειδικά εκπαιδευμένα πρόσωπα. Η συνολική διαδικασία συνοδεύεται από εξειδικευμένο προσωπικό.

Κατά τη μεταφορά μπαταριών ιόντων λιθίου πρέπει να προσέχετε τα εξής:

Φροντίστε τα σημεία επαφών να είναι προστατευμένα και μονωμένα ώστε να αποφευχθούν βραχυκύκλωματά.

Προσέξτε το πακέτο μπαταριών να είναι σταθερό μέσα στη συσκευασία και να μη γλιστρά. Η μεταφορά μπαταριών που παρουσιάζουν φθορές ή διαρροές δεν επιτρέπεται. Για περισσότερες πληροφορίες απευθυνθείτε στην εταιρεία μετάφορων.

ΥΠΟΔΕΙΞΕΙΣ ΕΡΓΑΣΙΑΣ

Για εργαλεία στα οποία προσαρμόζετε τροχός με σπειρωτή οπή, βεβαιωθείτε ότι το σπείρωμα στον τροχό έχει αρκετό μήκος ώστε να ανταποκρίνεται στο μήκος του άξονα.

Χρησιμοποιείτε και φυλάγετε τους δίσκους κοπής και λείανσης πάντοτε σύμφωνα με τις οδηγίες του κατασκευαστή.

Κατά το ξεχόνδρισμα και το κόψιμο να εργάζεστε πάντοτε με το κάλυμμα προστασίας.

Οι πτυχωτοί τροχοί λείανσης πρέπει να τοποθετούνται με τέτοιο τρόπο ώστε η επιφάνεια λείανσης να μην εξέρχεται από την καλύπτρα προστασίας.

Το φλαντζωτό ταξιμάδι πρέπει να έχει σφικτεί πριν την έναρξη λειτουργίας της μηχανής.

Χρησιμοποιείτε πάντοτε την πρόσθετη χειρολαβή.

Το προς επεξεργασία κομμάτι πρέπει να σφικτεί καλά, όταν δεν μπορεί να κρατηθεί με το ίδιο του το βάρος. Μην κρατάτε ποτέ το επεξεργαζόμενο κομμάτι με το χέρι ενάντια στο δίσκο.

Η φλάντζα στερέωσης φερόμενου εργαλείου πρέπει να είναι καλά σφιγμένη πριν τεθεί η συσκευή σε λειτουργία. Αν το φερόμενο εργαλείο δεν στερεωθεί αρκετά μέσω σφίξιματος της φλάντζας, υπάρχει η πιθανότητα το εργαλείο να χάσει σε τάση κατά την διάρκεια επιβράδυνσης.

ΥΠΕΡΦΟΡΤΩΣΗ ΚΑΙ ΠΡΟΣΤΑΣΙΑ ΑΠΟ ΑΝΑΔΡΑΣΗ

Η συσκευή είναι εξοπλισμένη με λειτουργία προστασίας ενάντια σε υπερφόρτωση και ξαφνικό χτύπημα και τίθεται εκτός λειτουργίας σε τέτοιες περιπτώσεις. Απενεργοποιήστε το ηλεκτρικό εργαλείο και στη συνέχεια επανενεργοποιήστε το ηλεκτρικό εργαλείο προκειμένου να συνεχιστεί την εργασία σας.

ΜΑΛΑΚΟ ΕΝΑΡΞΗ

Το ηλεκτρονικό σύστημα αυξάνει ομαλά τον αριθμό στροφών ώστε να αποφευχθεί μια απότομη εκκίνηση της μηχανής και να διασφαλισθεί ο σίγουρος χειρισμός της.

ΣΥΣΤΗΜΑ ΦΡΕΝΑΡΙΣΜΑΤΟΣ

Η πέδη αδρανείας συμπλέκεται, όταν η σκανδάλη απελευθερώνεται, με αποτέλεσμα το εργαλείο να σταματά σε δευτερόλεπτα.

Βεβαιωθείτε ότι το εργαλείο εισαγωγής ακινητοποιείται πλήρως πριν το αποθέσετε στο έδαφος.

Σε σύγκριση με εργαλεία χωρίς πέδη αδρανείας, ο χρόνος αδρανείας θα είναι σημαντικά μειωμένος με την πέδηση.

ΣΥΝΤΗΡΗΣΗ ΚΑΙ ΚΑΘΑΡΙΣΜΟΣ

Διατηρείτε πάντοτε τις σχισμές εξαερισμού της μηχανής καθαρές.

ΣΥΝΤΗΡΗΣΗ

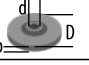


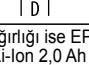
Χρησιμοποιείτε μόνο αξεσουάρ Milwaukee και ανταλλακτικά Milwaukee. Εξαρτήματα, που η αλλαγή τους δεν περιγράφεται, αντικαθιστώνται σε μια τεχνική υποστήριξη της Milwaukee (βλέπε φυλλάδιο εγγύηση/ διευθύνσεις τεχνικής υποστήριξης).

Όταν χρειάζεται, μπορείτε να ζητήσετε ένα σχέδιο συναρμολόγησης της συσκευής, δίνοντας τον τύπο της μηχανής και αριθμό στην πινακίδα ισχύος, από το κέντρο σέρβις ή απευθείας από τη φίρμα Techtron Industries GmbH, Max-Eyth-Straße 10, 71364 Winnenden, Germany.

ΣΥΜΒΟΛΑ

	Παρακαλώ διαβάστε σχολαστικά τις οδηγίες χρήσης πριν από την έναρξη λειτουργίας.
	ΠΡΟΣΟΧΗ! ΠΡΟΕΙΔΟΠΟΙΗΣΗ! ΚΙΝΔΥΝΟΣ!
	Πριν από κάθε εργασία στη μηχανή αφαιρέστε την ανταλλακτική μπαταρία.
	Μην χρησιμοποιείτε τον προφυλακτήρα για εργασίες κοπής.
	Μην βάζετε δύναμη.
	Εφαρμόστε δύναμη.
	Στις εργασίες με τη μηχανή φοράτε πάντοτε προστατευτικά γυαλιά.
	Φοράτε ωτοασπίδες.
	Να φοράτε κατάλληλη μάσκα προστασίας από σκόνη.
	Να φοράτε προστατευτικά γάντια!
	Χρησιμοποιείτε πάντα και τα δύο χέρια για τον χειρισμό.
	Μόνο για εργασίες λείανσης.

	Μόνο για εργασίες κοπής.
	Λάβετε υπόψη το επιτρεπόμενο πάχος δίσκου.
	Εξαρτήματα - Δεν περιλαμβάνονται στα υλικά παράδοσης, συνιστούμενη προσθήκη από το πρόγραμμα εξαρτημάτων.
	Κατεύθυνση της περιστροφής
	Απόβλητα ηλεκτρικών στηλών και ηλεκτρικού και ηλεκτρονικού εξοπλισμού δεν επιτρέπεται να απορρίπτονται μαζί με τα οικιακά απορρίμματα. Απόβλητα ηλεκτρικών στηλών και ηλεκτρικού και ηλεκτρονικού εξοπλισμού πρέπει να συλλέγονται και να απορρίπτονται ξεχωριστά. Πριν την απόρριψη να αφαιρέτε ηλεκτρικές στήλες, συσσωρευτές και λαμπτήρες από τον εξοπλισμό. Ενημερωθείτε από τις τοπικές υπηρεσίες ή από ειδικευμένους εμπόρους σχετικά με κέντρα ανακύκλωσης και συλλογής απορριμμάτων. Ανάλογα με τους τοπικούς κανονισμούς μπορεί να είναι οι έμποροι λιανικής πώλησης υποχρεωμένοι, να παίρνουν πίσω απόβλητα ηλεκτρικών στηλών και ηλεκτρικού και ηλεκτρονικού εξοπλισμού δωρεάν. Συμβάλλετε κι εσείς μέσω επαναχρησιμοποίησης και ανακύκλωσης των αποβλήτων των ηλεκτρικών στηλών, και του ηλεκτρικού και ηλεκτρονικού εξοπλισμού σας στη μείωση της ζήτησης πρώτων υλών. Απόβλητα ηλεκτρικών στηλών (προπαντός ηλεκτρικών στηλών ιόντων λιθίου) και ηλεκτρικού και ηλεκτρονικού εξοπλισμού περιέχουν πολύτιμες, επαναχρησιμοποιήσιμες ύλες που μπορεί να βλέπουν το περιβάλλον και την υγεία σας κατά τη μη περιβαλλοντικώς ορθή διάθεσή τους. Πριν την απόρριψη να διαγράφετε δεδομένα προσωπικού χαρακτήρα που πιθανόν να υπάρχουν στα απόβλητα του εξοπλισμού σας.
n	Ονομαστικός αριθμός στροφών
v	Τάση
	Συνεχές ρεύμα
	Ευρωπαϊκό σήμα πιστότητας
	Βρετανικό σήμα πιστότητας
	Ουκρανικό σήμα πιστότητας
	Ευρασιατικό σήμα πιστότητας

TEKNİK VERİLER	M18 BLSAG125X	M18 BLSAG115XPD	M18 BLSAG125XPD
Modeli	Akü açılı taşlama aleti	Akü açılı taşlama aleti	Akü açılı taşlama aleti
Üretim numarası	4972 15 01 XXXXXX MJJJJ	4972 25 01 XXXXXX MJJJJ	4972 35 01 XXXXXX MJJJJ
Kartuş akü gerilimi	18 V	18 V	18 V
Devir sayısı	11000 min ⁻¹	11000 min ⁻¹	11000 min ⁻¹
Mil dişi	M14	M14	M14
D=taşlama disk çapı Maks.	125 mm	115 mm	125 mm
d=Delik ø	22,2 mm	22,2 mm	22,2 mm
	b=Taşlama disk kalınlığı Maks.	6 mm	6 mm
	b=Kesme disk kalınlığı Maks. / Min.	3 mm / 1 mm	3 mm / 1 mm
	D=Zımparalama disk çapı Maks.	125 mm	115 mm
	D=Saçaklı çanak fırça çapı Maks.	75 mm	75 mm
Ağırlığı ise EPTA-üretici 01/2014'e göre (Li-Ion 2,0 Ah ... 12,0 Ah)	2,2 ... 3,3 kg	2,2 ... 3,3 kg	2,2 ... 3,3 kg
Çalıştırılması için tavsiye edilen ortam sıcaklığı	-18 ... +50 °C	-18 ... +50 °C	-18 ... +50 °C
Tavsiye edilen güç paketleri	M18B...; M18HB...	M18B...; M18HB...	M18B...; M18HB...
Tavsiye edilen şarj aletleri	M12-18...; M1418C6	M12-18...; M1418C6	M12-18...; M1418C6
Gürültü bilgileri: Ölçüm değerleri EN 62841 e göre belirlenmektedir. Aletin, frekansa bağımlı uluslararası ses basıncı seviyesi değerlendirme eğrisi A'ya göre tipik gürültü seviyesi: Ses basıncı seviyesi / Tolerans K Akustik kapasite seviyesi / Tolerans K	92,51 dB (A) / 3 dB (A) 100,51 dB (A) / 3 dB (A)	92,51 dB (A) / 3 dB (A) 100,51 dB (A) / 3 dB (A)	92,51 dB (A) / 3 dB (A) 100,51 dB (A) / 3 dB (A)
Koruyucu kulaklık kullanın!			
Vibrasyon bilgileri: Toplam titreşim değeri (üç yönün vektör toplamı) EN 62841'e göre belirlenmektedir: titreşim emisyon değeri a _h / Tolerans K	6,30 m/s ² / 1,5 m/s ² 1,97 m/s ² / 1,5 m/s ²	7,10 m/s ² / 1,5 m/s ² 1,82 m/s ² / 1,5 m/s ²	7,10 m/s ² / 1,5 m/s ² 1,82 m/s ² / 1,5 m/s ²
Diger uygulamalarda, örneğin çelik tel fırça ile ayırarak taşlama veya taşlama işleminde başka vibrasyon değerleri ortaya çıkabilir!			

UYARI!

Bu bilgi formunda belirtilen titreşim ve gürültü düzeyi EN 62841 uyarınca standart bir test yöntemine göre ölçülmüş olup, bir aleti diğerleriyle karşılaştırmak için kullanılabilir. Bir maruz kalma ön değerlendirmesi için de kullanılabilir.

Bejan edilmiş titreşim ve gürültü emisyon değeri aletin ana uygulamalarını temsil eder. Ancak, alet farklı uygulamalar için veya farklı aksesuarla kullanılır ya da aletin bakımı yetersiz yapılırsa, titreşim ve gürültü emisyonu farklılık gösterebilir. Bu, toplam çalışma süresi boyunca maruz kalma seviyesini önemli ölçüde artırabilir.

Titreşim ve gürültüye maruz kalma seviyesi tahmininde, aletin kapalı olduğu veya çalıştığı, ancak aslında işini yapmadığı süreler de göz önünde bulundurulmalıdır. Bu, toplam çalışma süresi boyunca maruz kalma seviyesini önemli ölçüde azaltabilir.

Operatörü titreşim ve/veya gürültünün etkilerinden korumak için, aletin ve aksesuarların bakımını yapmak, elleri sıcak tutmak ve çalışma biçimlerini düzenlemek gibi ilave güvenlik önlemleri belirleyin.

UYARI! Güvenlikle ilgili bütün açıklamaları. Açıklanan uyarılara ve talimat hükümlerine uyulmadığı takdirde elektrik çarpmalarına, yangınlara ve/veya ağır yaralanmalara neden olunabilir.

Bütün uyarıları ve talimat hükümlerini ileride kullanmak üzere saklayın.

AÇILI TAŞLAYICI İÇİN GÜVENLİK UYARILARI

Taşlama, kumlu zımpara kağıdı ile zımparalama, tel fırça ile taşlama, polisaj ve kesici taşlama işleri için müşterek uyarılar:

a) Bu elektrikli el aleti taşlama, kumlu zımpara kağıdı ile zımparalama kesici taşlama olarak kullanılmak üzere geliştirilmiştir. Elektrikli el aleti ile birlikte teslim edilen bütün uyarılara, talimata, şekillere ve verilere uyun hareket edin. Aşağıdaki talimat hükümlerine uymadığınız takdirde elektrik çarpması, yangın veya ağır yaralanma tehlikesi ile karşılaşabilirsiniz.

b) Bu elektrikli el aleti polisaj yapmaya uygun değildir. Bu alet için öngörülen uygulamalar tehlikeli durumlara ve yaralanmalara n ortaya çıkmasın n neden olabilir.

c) Bu elektrikli cihazı cihaz üreticisinin bilhassa tasarladığı ve belirttiği bir şekilde kullanmak üzere dönüştürmeyin. Böylece bir dönüştürme kontrol kaybı ve ciddi kişisel yaralanmayla sonuçlanabilir.

d) Üretici tarafından özel olarak bu alet öngörülmemiş ve tavsiye edilmeyen aksesuar kullanmayın. Bir aksesuarı elektrikli el aletinize takabilmeniz için güvenli kullanımı garanti etmez.

e) Kullanılan takımın izin verilen devri, en az elektrikli cihaz üzerinde yazılı azami devir kadar yüksek olmalıdır. İzin verilen daha hızlı dönen aksesuar kırılabilir ve etrafa fırlayabilir.

f) Kullanılan ucun dış çapı ve kalınlığı elektrikli el aletinizin ölçülerine uymalıdır. İOçüsü uygun olmayan uçlar yeterli dercede kapatılamaz veya kontrol edilemez.

g) Aksesuar desteğinin boyutları elektrikli cihazın destek donanımının boyutlarıyla uyumlu olmalıdır. Cihazın montaj sapı üzerine sığmayan aksesuar parçaları, eksantrik hareket eder, aşırı titreşir ve alet üzerindeki hakimiyetin kaybedilmesine neden olabilirler.

h) Hasarlı uçları kullanmayın. Her kullanımdan önce taşlama disklerinde çatlak ve çizik olup olmadığını, zımpara tablalarında çizik ve aşınma olup olmadığını, tel fırçalarda gevşeme veya kırık teller olup olmadığını kontrol edin. Elektrikli el aleti veya uç yere düşecek olursa hasar görüp görmediğini kontrol edin, gerekirse hasar görmemiş başka bir uç kullanın. Kullanacağınız ucu kontrol edip taktıktan sonra ucun dönme alanı yakınında bulunan kişileri uzaklaştırın ve elektrikli el aletini bir dakika en yüksek devir sayısında çalıştırın. Hasarlı uçlar çoğu zaman bu test süresinde kırılır.

i) Kişisel koruyucu donanım kullanın. Yaptığınız işe göre tam yüz siperliği, göz koruma donanımı veya koruyucu gözlük kullanın. Eğer uygunsuz küçük taşlama ve malzeme parçacıklarına karşı koruma sağlayan toz maskesi, koruyucu kulaklık, koruyucu iş eldivenleri veya özel iş önlüğü kullanın. Göz koruması çeşitli uygulamaların doğurduğu uçuca döküntüleri durdurabilir. Toz maskesi ya da solunum cihazı söz konusu uygulamanın doğurduğu partikülleri süzebilir. Yüksek yoğunluklu gürültüye uzun süre maruz kalmak işitme kaybına neden olabilir.

j) Başkalarının çalıştığı yerden güvenli uzaklıkta olmasına dikkat edin. Çalışma alanınıza girmek zorunda olan herkes koruyucu donanım kullanmalıdır. İş parçasının veya ucun kırılması sonucu ortaya çıkan parçacıklar etrafa savrulabilir. Çalışma alanınızın dışındaki kişileri de yaralayabilir.

k) Kesme aletinin eğrilmiş elektrik kabloları isabet eden çalışmalar yapılırken cihazı izole edilmiş kollarından tutun. Kesme aletinin içinden elektrik akımı geçen kablo ile temas etmesi durumunda elektrik akımı cihazın metal kısımlarına geçer ve elektrik çarpmasına sebebiyet verebilir.

l) Takım tamamen durmadan elektrikli cihazı asla yere koymayınız. Dönmekte olan uç aleti bırakacağı yüzeye temas edebilir ve elektrikli el aletinin kontrolünü kaybedebilirsiniz.

m) Elektrikli el aletini çalışır durumda taşımayın. Giysilerinizin rastlantı sonucu dönmekte olan uç tarafından tutulabilir ve uç bedenize temas edebilir.

n) Elektrikli el aletinin havalandırma deliklerini düzenli olarak temizleyin. Motor fanı tozu gövdeye çeker ve metal tozunun aşırı birikimi elektrik çarpması tehlikesini ortaya çıkarır.

o) Elektrikli el aletini yabancı malzemenin yakınında kullanmayın. Kıvılcıklar bu malzemeyi tutuşturabilir.

p) Sıvı soğutucu madde gerektiren uçları kullanmayın. Suyun veya diğer sıvı soğutucu maddenin kullanımı elektrik çarpmasına neden olabilir.

Geri tepme ve ilgili uyarılar:

Geri tepme, dönmekte olan taşlama disk, zımpara tablası, tel fırça ve benzeri uçların takılması veya bloke olması sonucu ortaya çıkan ani tepkidir. Takılma ve blokaj dönmekte olan ucun ani olarak durmasına neden olur. Bu gibi durumlarda elektrikli el aleti blokaj yerinden ucun dönme yönünün tersine doğru savrulur.

Örneğin bir taşlama disk iş parçası içinde takılır veya bloke olursa, taşlama diskinin içine giren kenarı tutulur ve disk kırılır veya geri tepme kuvvetinin ortaya çıkmasına neden olur. Bu durumda taşlama disk blokaj yerinden, diskin dönme yönüne bağlı olarak kullanıcıya doğru veya kullanıcının tersine hareket eder. Bu gibi durumlarda taşlama diskinin kırılma olasılığı da vardır.

Geri tepme kuvveti elektrikli el aletinin yanlış veya hatalı kullanımı sonucu ortaya çıkar. Geri tepme kuvvetleri aşağıda açıklanan koruyucu önlemlerle önlenir.

a) Elektrikli el aletini sıkıca tutun ve bedeniniz ile ellerinizi geri tepme kuvvetinin rahatça karşılayabileceği duruma getirin. Alet hızlanırken ortaya çıkabilecek geri tepme kuvvetlerini veya reaksiyon momentlerini optimal ölçüde karşılayabilmek için eğer varsa her zaman ek tutamağı kullanın. Kullanıcı uygun önlemler olarak geri tepme ve reaksiyon kuvvetlerine hakim olabilir.

b) Elinizi hiçbir zaman dönen ucun yakınına getirmeyin. Aksesuar elinize geri tepebilir.

c) Bedeninizi geri tepme sırasında elektrikli el aletinin hareket edebileceği alandan uzak tutun. Geri tepme kuvveti elektrikli el aletini blokaj yerinden taşlama diskinin dönme yönünün tersine doğru iter.

d) Özellikle köşeleri, keskin kenarları ve benzerlerini işlerken dikkatli olun. Uçun iş parçasından dışarı çıkması ve takılıp sıkışmasını önleyin. Dönmekte olan uç köşelerde, keskin kenarlarda çalışırken sıkışmaya eğilimlidir. Bu ise kontrol kaybına veya geri tepmeye neden olur.

e) Zincirli veya dişli testere bıçakları kullanmayınız. Bu gibi takımlar sıklıkla geri tepmeye veya elektrikli cihaz üzerindeki kontrolün kaybedilmesine neden olur.

Taşlama ve kesici taşlama için özel uyarılar

a) Sadece elektrikli cihazınız için önerilen disk türlerini ve seçili disk için tasarlanmış korkuluğu kullanın. Bu elektrikli el aleti için öngörülen taşlama uçları yeterli ölçüde kapatılmazlar ve güvenli değildirler.

b) Bombeli taşlama diskleri, taşlama yüzeyi koruyucu kapak kenarı seviyesini aşmayacak şekilde monte edilmelidir. Usulüne uygun monte edilmeyen ve koruyucu kapak kenarı seviyesini aşan bir taşlama disk yeterli kadar izole edilemez.

c) Daima taşlama ucunun türüne uygun koruyucu kapak kullanın. Koruyucu kapak elektrikli el aletine güvenli biçimde takılması esastır ve en yüksek güvenliği sağlayacak biçimde ayarlanması esastır. Taşlama ucunun mümkün olan en küçük kısmı açıkta kalmalı ve kullanıcıyı göstermelidir. Korkuluk operatörün kırık çark parçacıklarından, kazaya çarkla temas etmekten ve giysileri tutuşturabilecek kıvılcıklardan korunmasına yardımcı olur.

d) Diskler sadece belirtilen uygulamalar için kullanılmalıdır. Örneğin: Kesici diskin kenarıyla yontma yapmayın. Kesici taşlama diskleri uçları ile malzeme kazıma için geliştirilmiştir. Bu uçlara yandan baskı uygulandığında kırılabilirler.

e) Seçtiğiniz taşlama disk için daima hasar görmemiş doğru büyüklük ve biçimde germe flanş kullanın. Uygun flanşlar taşlama disklerini destekler ve kırılma tehlikesini önlerler. Kesici taşlama diskleri için öngörülen flanşlar diğer uçlara ait flanşlardan farklı olabilir.

f) Büyük elektrikli el aletlerini ait ypranmış taşlama disklerini kullanmayın. Daha büyük bir elektrikli cihaz için tasarlanmış bir disk daha küçük bir cihazın daha yüksek hızına uygun olmayıp patlayabilir.

g) Çift açmalı diskler kullanırken her zaman yapılan iş için uygun olan korkuluğu kullanın. Doğru korkuluğu kullanmamak, istenen koruma düzeyini sağlayamaz, bu da ciddi yaralanmalara yol açabilir.

Aşındırıcı kesme işlemlerine özgü ilave güvenlik uyarıları:

a) Kesici taşlama diskinin bloke olmamasını sağlayın veya bu diske yüksek bastırma kuvveti uygulamayın. Aşırı derinlikte kesme yapmayın. Kesici taşlama ucuna aşırı yüklenme açıldırma yapılmasına veya blokaja neden olabilir ve bunun sonunda da geri tepme kuvveti oluşabilir veya taşlama ucu kırılabilir.

b) Dönmekte olan kesici taşlama diskinin ön ve arka alanına yaklaşmayın. Kesici taşlama diskinin işi parçasından dışarı çıkarsanız bir geri tepme kuvveti oluştuğunda dönen disk size doğru savrulabilir.

c) Kesici taşlama diski sıkışacak olursa veya siz işe ara veriseniz elektrikli el aletini kapatın ve disk tam olarak duruncaya kadar aleti kesin biçimde tutun. Dönmekte olan kesici taşlama diskinin hiçbir zaman kesme yerinden çıkarmayı denemeyin, aksi takdirde geri tepme kuvveti oluşabilir. Sıkışmanın nedenini tespit edin ve gidin.

d) Elektrikli el aleti iş parçası içinde bulunduğu sürece onu tekrar çalıştırmayın. Kesme işine dikkatli biçimde devam etmeden önce kesme diskinin en yüksek devire ulaşmasını bekleyin. Aksi takdirde disk takılabilir, iş parçasından çıkabilir veya bir geri tepme kuvveti oluşabilir.

e) Kesici taşlama diskinin sıkışması sonucu oluşabilecek geri tepme kuvvetlerini önlemek için büyük levha veya iş parçalarını destekleyin. Büyük iş parçaları kendi ağırlıkları ile bükülebilir. Büyük iş parçaları iki yandan desteklenmelidir, hem kesme hattının yakınından hem de kenardan.

f) Mevcut bulunan duvarlardaki "Çöp kesitlerinde" veya diğer görünmeyen sahalarda özellikle dikkatli olunuz. Malzeme içine dalan kesici taşlama diskleri kesme işlemi sırasında gaz veya su borularına, elektrik kablolarına veya diğer nesnelere rastlayarak geri tepme kuvveti oluşturabilirler.

g) Eğimli kesim yapmaya kalkışmayın. Diskin aşırı gerilmesi diskin kesim içindeki yükünü ve dönme veya büküme hassasiyetini ve geri tepme veya disk kırılması olasılığını artırarak ciddi yaralanmaya yol açabilir.

Kumlama işlemlerine özgü ilave güvenlik uyarıları:

a) Uygun ebatta zımpara diski kağıdı kullanın. Zımparalama blokunun çok ötesine taşan geniş zımpara kağıdı derin kesik tehlikesi oluşturur ve diskin takılmasına, yırtılmasına veya geri tepmesine neden olabilir.

Telle fırçalama işlemlerine özgü ilave güvenlik uyarıları:

a) Tel fırçaların bilindiği şekli ile tel parçalarının kullanımını esasında varyasyon yaptığınıza dikkate alınız. Fazla bir baskı ile tellere fazla yüklenmeyiniz. Uçuşan tel parçaları hafif ince elbisenin içine girebilir ve/veya cildde nüfuz eder.

b) Telle fırçalama için bir korkuluk kullanılması belirtiliyorsa, tel diskinin veya fırçanın korkulukla temasına izin vermeyin. Tabla veya çanak biçimli fırçalar bastırma ve merkezkaç kuvvetleri nedeniyle çaplarını büyütebilir.

ENE GÜVENLİK VE ÇALIŞMA TALİMATLARI

Aleti devreye almadan önce mutlaka mil kilidi düğmesinin tamamen açık olduğunu doğrulayın! Mil kilidini aşındırıcı diski sıkıştırmak / gevşetmek için kullandıktan sonra, düğmenin kilidli konumda kalmış olması mümkündür.

Taşlama işlemi sırasında ortaya çıkan kıvılcıklara dikkat edin, yanıcı malzemeler tutuşabilir.

Uçuşan kıvılcıkların ve taşlama tozunun vücudunuza çarpmasından sakının.

Aletin tehlikeli olabilecek bölümlerini tutmayın.

Alet çalışır durumda iken talaş ve kırpıntıları temizlemeye çalışmayın.

Hissedilir ölçüde titreşim oluşmaya başlarsa veya normal olmayan başka aksaklıklar ortaya çıkarsa aleti hemen kapatın. Bu aksaklıkların nedenini belirlemek için aleti kontrol edin.

Aşırı koşullarda (örneğin, mil ve sertleştirilmiş elyafı taşlama çarklı yumuşak taşlama metalleri), kalıp taşlama makinesinin içinde önemli miktarda kırılık birikebilir.

Kısa devre tehlikesi ortaya çıkacağından metal parçaların havalandırma aralıklarına girmemesi gerekir.

UYARI! Yanma tehlikesi! İşlenen parça ve disk kullanım sırasında ısınır. Diskleri değiştirir ya da işlenen parçaya dokunurken eldiven giyin. Ellerinizi her zaman taşlama alanından uzak tutun.

UYARI! Bir kısa devreden kaynaklanan yangın, yaralanma veya ürün hasarları tehlikesini önlemek için aleti, güç paketini veya şarj cihazını asla sıvıların içine daldırmayınız ve cihazların ve pillerin içine sıvı girmesini önleyiniz. Tuzlu su, belirli kimyasallar, ağartıcı madde veya ağartıcı madde içeren ürünler gibi korozif veya iletken sıvılar kısa devreye neden olabilir.

Kartuş aküleri ve şarj cihazını açmayın ve sadece kuru yerlerde saklayın. Neme ve ıslanmaya karşı koruyun.

M18 sistemli kartuş aküleri sadece M18 sistemli şarj cihazları ile şarj edin. Başka sistemli aküleri şarj etmeyin.

KULLANIM

Açılı taşıyıcı metal, taş, beton ve seramik malzemeyi taşıyıp kesmenin yanı sıra kumlama ve telle fırçalama için geliştirilmiştir. Kesme uygulaması için aksesuarlar dizisinden kesme başlığını kullanın.

örneğin metal veya taş ve plastik taşlamatabağı ile taşlama ve çelik tel fırça ile çalışırken.

Bu elektrikli alet sadece susuz çalışmak için uygundur.

Açılı taşıyıcıya sadece bu kılavuzun ürünün teknik özellikleri bölümünde tanımlanan uygun taşlama veya kesme diskleriyle ilgili korkuluklar (taşlama korkuluğu ve kesme korkuluğu) takılmalıdır. Açılı taşıyıcı elde taşınarak kullanılmak için geliştirilmiş olup sabit bir aksam ya da tezgaha monte edilmez.

Aleti belirtilen kullanım amaçları dışında herhangi bir başka amaç için kullanmayın.

KALAN TEHLİKELER

Usulüne uygun kullanım durumunda da bütün kalan riskler ortadan kaldırılamaz. Kullanım sırasında, kullanıcının özellikle dikkat etmesi gerektiği aşağıdaki tehlikeler oluşabilir:

- Titreşimden dolayı oluşan yaralanmalar. Cihazı bunun için öngörülen kulplardan tutun ve çalışma ve maruz kalam sürelerini sınırlandırın.
- Gürültü yükü işitme zararlarına neden olabilir. Kulaklık takın ve maruz kalma süresini sınırlandırın.
- Kir parçacıklarından dolayı oluşan göz yaralanmaları. Daima koruyucu gözlük, sağlam uzun pantolon, eldiven ve sağlama ayakkabılar giyiniz.
- Zehirli tozların solunması.

LİTYUM İYON PİLLER İÇİN AÇIKLAMALAR

Lityum iyon pillerin kullanılması

Uzun süre kullanım dışı kalmış kartuş aküleri kullanmadan önce şarj edin.

50°C üzerindeki sıcaklıklar kartuş akünün performansını düşürür. Akünün güneş ışığı veya mekân sıcaklığı altında uzun süre ısınmamasına dikkat edin.

Şarj cihazı ve kartuş aküdeki bağlantı noktalarını temiz tutun.

Akünün ömrünün mükemmel bir şekilde uzun olması için kullandıktan sonra tamamen doldurulması gerekir.

Ömrünün mümkün olduğu kadar uzun olması için akülerin yüklem yapıldıktan sonra doldurma cihazından uzaklaştırılması gerekir.

Akünün 30 günden daha fazla depolanması halinde:

Batarya kutusunu, 27°C'nin altında bir sıcaklıkta ve nemden uzak bir yerde saklayın.

Aküyük yüklem durumunda takriben % 30 - %50 olarak depolayın.. Aküyük her 6 ay yeniden doldurun.

Lityum iyon pillerin aşırı pil şarj koruması

Pek fazla elektrik tüketiminden dolayı, örneğin aşırı fazla devir momentleri, aniden durma veya kısa devre gibi aküye aşırı yüklenme durumunda elektro cihazı 5 saniye titreşir, yüklem göstergesi yanıp söner ve elektro cihaz kendiliğinden durur.

Yeniden çalıştırmak için şalter baskısını serbest bırakın ve bundan sonra tekrar çalıştırın. Akü aşırı yüklenmeden dolayı fazla ısınmaz. Bu durumda akü soğuyana kadar yüklem göstergesinin bütün lambaları yanıp söner. Gösterge lambalarının sönmelerinden sonra tekrar çalışmaya devam edilebilir.

Lityum iyon pillerin taşınması

Lityum iyon piller tehlikeli madde taşımacılığı hakkındaki yasal hükümler tabidir.

Bu piller, bölgesel, ulusal ve uluslararası yönetmeliklere ve hükümlere uyularak taşınmak zorundadır.

Tüketiciler bu pilleri herhangi bir özel şart aranmaksızın karayoluyla taşıyabilirler.

Lityum iyon pillerin nakliye şirketleri tarafından ticari taşımacılığı için tehlikeli madde taşımacılığının hükümleri geçerlidir. Sevki hazırlığı ve taşıma sadece ilgili eğitimi görmüş personel tarafından gerçekleştirilebilir. Bütün süreç uzmanca bir refakatçilik altında gerçekleştirilmelidir.

Pillerin taşınması sırasında aşağıdaki hususlara dikkat edilmesi gerekmektedir:

Kısa devre oluşmasını önlemek için kontakların korunmuş ve izole edilmiş olmasını sağlayınız.

Pil paketinin ambalajı içinde kaymamasına dikkat ediniz. Hasarlı veya akmış pillerin taşınması yasaktır. Ayrıca bilgiler için nakliye şirketinize başvurunuz.

ÇALIŞMA AÇIKLAMALARI

Klavuz delikli teker takılacak olan aletlerde, tekerdeki klavuzun mil uzunluğunu kabul edecek kadar uzun olmasına dikkat edin.

Kesme ve taşlama disklerini daima üreticinin talimatına uygun olarak kullanın ve saklayın.

Kaba taşlama ve kesme işleri sırasında daima koruyucu kapağı kullanın.

Bombeli taşlama diskleri, taşlama yüzeyi koruyucu kapak kenarı seviyesini aşmayacak şekilde monte edilmelidir.

Flaşlı somunu aleti işleme almadan önce iyice sıkın.

Daima ilave sapı kullanın.

Kendi ağırlığı ile güvenli biçimde durmuyorsa iş parçasının uygun bir tertibatla sıkıca tespit edilmesi gerekir. İş parçasını hiçbir zaman elinize diske doğru tutmayın.

Makine çalıştırılmadan önce flaş somunu iyice sıkılmış olmalıdır. Kullanılan alet flaş somunu ile birlikte iyice sıkılanmadığında, kullanılan takımın frenleme sırasında gereken germe kuvvetini kaybetmesi mümkündür.

AŞIRI YÜK VE GERİ TEPME KORUMASI

Cihaz Overload - ve Anti Kickback koruma fonksiyonlarına sahiptir ve fazla yüklenmesi halinde durur. İşe devam edebilmek için elektrikli cihazı kapatın ve yeniden çalıştırın.

YUMUPAK İLK

Güvenli kullanım sağlayan elektronik yumupak ilk hareket; alet çalıştırıldığında gere tepmeleri önler.

FREN SİSTEMİ

Hızlı fren tetik bırakılınca etkinleşir ve birkaç saniye içinde aleti durdurur.

Yere yatırmadan önce eklenen aletin tamamen durduğundan emin olun.

Hızlı freni olmayan aletlere kıyasla durdurma süresi frenlemeye oldukça azaltılır.

TEMİZLENMESİ

Aletin havalandırma aralıklarını daima temiz tutun.

BAKIM

Sadece Milwaukee aksesuarı ve yedek parçası kullanın. Nasıl değiştirileceği açıklanmamış olan yapı parçalarını bir Milwaukee müşteri servisinde değiştirin (Garanti ve servis adresi broşürüne dikkat edin).

Gerektiği takdirde aletin dağınık görünüş şeması, alet tipinin ve tip etiketi üzerindeki sayının bildirilmesi koşuluyla müşteri servisinden veya doğrudan Techtronic Industries GmbH, Max-Eyth-Straße 10, 71364 Winnenden, Germany adresinden istenebilir.

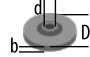
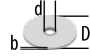


SEMBOLLER

	Lütfen aleti çalıştırmadan önce kullanma kılavuzunu dikkatli biçimde okuyun.
	DİKKAT! UYARI! TEHLİKE!
	Aletin kendinde bir çalışma yapmadan önce kartuş aküyü çıkarın.
	Korkuluğu kesme işlemleri için kullanmayın.
	Güç kullanmayın.
	Kuvvet uygulayın.
	Aletle çalışırken daima koruyucu gözlük kullanın.
	Koruyucu kulaklık kullanın.
	Uygun bir koruyucu toz maskesi kullanın
	Koruyucu eldivenlerinizi takınız!
	Her zaman iki elle çalışın.
	Sadece taşlama işleri için.
	Sadece kesme işleri için.
	İzin verilen disk kalınlığına dikkat edin.
	Aksesuar - Teslimat kapsamında değildir, önerilen tamamlamalar aksesuar programında.
	Dönme yönü



Atık pillerin, atık elektrikli ve elektronik eşyaların evsel atıklarla birlikte bertaraf edilmesi yasaktır. Atık piller, atık elektrikli ve elektronik eşyalar ayrılarak biriktirilmeli ve bertaraf edilmelidirler. Bertaraf etmeden önce cihazların içindeki atık pilleri, atık akümülatörleri ve lambaları çıkartınız. Yerel makamlara veya satıcınıza geri dönüşüm tesisleri ve atık toplama merkezlerinin yerlerini danışınız. Yerel yönetmeliklere göre perakende satıcılar atık pilleri, atık elektrikli ve elektronik eşyaları ücret talep etmeden geri almak zorunda olabilirler. Atık pillerinizi, atık elektrikli ve elektronik eşyalarınızı tekrar kullanarak ve geri dönüşüme verecek ham madde gereksiniminin az tutulmasına katkıda bulununuz. Atık piller (özellikle lityum iyon piller), atık elektrikli ve elektronik eşyalar, çevreye uygun şekilde bertaraf edilmediklerinde çevre ve sağlığınız üzerinde olumsuz etkilere neden olabilen değerli, tekrar kullanılabilir malzemeler içerirler. Bertaraf etmeden önce atık eşyanız içinde mevcut olabilen şahsınızla ilgili bilgileri siliniz.

n	Devir sayısı
V	Volтаж
==	Doğru akım
CE	Avrupa uyumluluk işareti
UK CA	Britanya uyumluluk işareti
001	Ukrayna uyumluluk işareti
EAC	Avrasya uyumluluk işareti

TECHNICKÁ DATA	M18 BLSAG125X	M18 BLSAG115XPD	M18 BLSAG125XPD
Typ	Aku úhlová bruska	Aku úhlová bruska	Aku úhlová bruska
Výrobní číslo	4972 15 01 XXXXXX MJJJJ	4972 25 01 XXXXXX MJJJJ	4972 35 01 XXXXXX MJJJJ
Napětí výměnného akumulátoru	18 V	18 V	18 V
Jmenovité otáčky	11000 min ⁻¹	11000 min ⁻¹	11000 min ⁻¹
Závit vřetene	M14	M14	M14
D=Průměr brusného kotouče max.	125 mm	115 mm	125 mm
d=ø otvoru	22,2 mm	22,2 mm	22,2 mm
 b=	b=Tloušťka brusného kotouče max.	6 mm	6 mm
 b=	b=Tloušťka rozbrušovacího kotouče max. / min.	3 mm / 1 mm	3 mm / 1 mm
 D=	D=Průměr brusného kotouče max.	125 mm	115 mm
 D=	D=miskovitě kartáče-ø max.	75 mm	75 mm
Hmotnost podle prováděcího předpisu EPTA 01/2014 (Li-Ion 2,0 Ah ... 12,0 Ah)	2,2 ... 3,3 kg	2,2 ... 3,3 kg	2,2 ... 3,3 kg
Doporučená teplota okolí pro provoz	-18 ... +50 °C	-18 ... +50 °C	-18 ... +50 °C
Doporučené akupaky	M18B...; M18HB...	M18B...; M18HB...	M18B...; M18HB...
Doporučené nabíječky	M12-18...; M1418C6	M12-18...; M1418C6	M12-18...; M1418C6

Informace o hluku: Naměřené hodnoty odpovídají EN 62841. V třídě A posuzovaná hladina hluku přístroje činí typicky:

Hladina akustického tlaku / Kolísavost K	92,51 dB (A) / 3 dB (A)	92,51 dB (A) / 3 dB (A)	92,51 dB (A) / 3 dB (A)
Hladina akustického výkonu / Kolísavost K	100,51 dB (A) / 3 dB (A)	100,51 dB (A) / 3 dB (A)	100,51 dB (A) / 3 dB (A)

Používejte chrániče sluchu !

Informace o vibracích: Celkové hodnoty vibrací (vektorový součet tří směrů) zjištěnéve smyslu EN 62841.

Hodnota vibračních emisí a_v / Kolísavost K

Broušení povrchů	6,30 m/s ² / 1,5 m/s ²	7,10 m/s ² / 1,5 m/s ²	7,10 m/s ² / 1,5 m/s ²
Broušení pomocí brusného listu	1,97 m/s ² / 1,5 m/s ²	1,82 m/s ² / 1,5 m/s ²	1,82 m/s ² / 1,5 m/s ²

U jiných aplikací, např. při rozbrušování nebo broušení ocelovým drátěným kartáčem mohou vznikat vibrace jiných hodnot!

VAROVÁNÍ!

Hladina vibrací a emisí hluku uvedená v tomto informačním listu byla měřena v souladu se standardizovanou zkouškou uvedenou v normě EN 62841 a může být použita ke srovnání jednoho nástroje s jiným. Může být použita k předběžnému posouzení expozice.

Deklarovaná úroveň vibrací a emisí hluku představuje hlavní použití nástroje. Pokud se však nástroj používá pro různé aplikace, s různým příslušenstvím nebo s nedostatečnou údržbou, mohou se vibrace a emise hluku lišit. To může výrazně zvýšit úroveň expozice v průběhu celé pracovní doby.

Odhad úrovně expozice vibracím a hluku by měl také vzít v úvahu dobu, kdy je nástroj vypnutý nebo když běží, ale ve skutečnosti neprovádí úlohu. To může výrazně snížit úroveň expozice v průběhu celé pracovní doby.

Identifikujte dodatečná bezpečnostní opatření k ochraně pracovníka obsluhy před účinky vibrací a/nebo hluku, například: údržba nástroje a příslušenství, udržování rukou v teple, organizace pracovních schémat.

VAROVÁNÍ! Seznamte se se všemi bezpečnostními pokyny a sice i s pokyny. Zanedbání při dodržování varovných upozornění a pokynů mohou mít za následek úder elektrickým proudem, požár a ebo těžká poranění.

Všechna varovná upozornění a pokyny do budoucna uschovejte.

BEZPEČNOSTNÍ POKYNY PRO ÚHLOVÉ BRUSKY

Společná varovná upozornění k broušení, smírkování, práci s drátěnými kartáči, leštění a dělení:

a) Toto elektronářadí se používá jako bruska, bruska brusným papírem, kartáčovačka, dělicí bruska.. Dbejte všech varovných upozornění, pokynů, zobrazení a údajů, jež jste s elektronářadím obdrželi. Pokud následující pokyny nedodržíte, může to vést k úderu elektrickým proudem, požáru nebo těžkým poraněním.

b) Toto elektronářadí není vhodné k leštění. Použití, pro něž není elektronářadí určeno, mohou způsobit ohrožení a zranění.

c) Neupravujte toto elektrické nářadí na provoz způsobem, který není výslovně navržen a specifikován výrobcem nástroje. Taková úprava může vést ke ztrátě kontroly a vážnému zranění.

d) Nepoužívejte žádné příslušenství, které není výrobcem speciálně pro toto elektronářadí určeno a doporučeno. Pouze to, že můžete příslušenství na Vaše elektronářadí upevnit, nezaručuje bezpečné použití.

e) Přípustný počet otáček vkládaného nástroje musí být minimálně stejně vysoký jako maximální počet otáček uvedený na elektrickém nářadí. Příslušenství, které se točí rychleji, než je přípustné, se může rozbit a rozletět do okolí.

f) Vnější rozměr a tloušťka nasazovacího nástroje musí odpovídat rozměrovým údajům Vašeho elektronářadí. IŠpatné

Dávejte pozor na to, aby se svazek baterií v rámci balení nemohl sesmeknout. Poškozené a vyteklé baterie se nesmějí přepravovat. Ohledně dalších informací se obraťte na vaši přepravní firmu.

PRACOVNÍ POKYNY

U brusiva vybaveného podložkou se závitem zajistit, aby byl závit dostatečně dlouhý pro hřídel.

Rozbrušovací a brusné kotouče používejte a skladujte podle doporučení výrobce.

Při hrubování a řezání vždy používejte ochranný kryt kotouče.

Brusné kotouče s vypouklým středem se musí namontovat tak, aby jejich brusná plocha nepřesahovala přes plochu okraje ochranného krytu.

Upínací matice kotouče musí být před spuštěním stroje utažená.

Vždy používejte doplňkové madlo.

Obráběný kus musí být řádně upnut, není-li dostatečně těžký.

Přírubová matice musí být před uvedením stroje do provozu pevně dotažena. Pokud by se používaný nástroj pevně nedotáhnul pomocí přírubové matice, bylo by možné, že používaný nástroj při zabrzdění ztratí nutnou přítláčnou sílu.

OCHRANA PROTI PŘETÍŽENÍ A ZPĚTNÉMU RÁZU

Stroj je vybaven ochranou proti přetížení a proti zpětnému nárazu a při přetížení se automaticky vypne. Vypnete elektronářadí a následně ho zapnete, abyste mohli pokračovat v práci.

ŘÍZENÝ MĚKKÝ ROZBĚH

Elektronicky řízený měkký rozběh pro bezpečnější použití stroje zabraňuje i trhavému pohybu při rozběhu stroje.

BRZDOVÝ SYSTÉM

Provozní brzda se zapne při uvolnění spouštěcího spínače, což způsobí, že se nástroj zastaví během několika sekund.

Ujistěte se, že se vkládací nástroj zcela zastavil, než jej položíte.

Ve srovnání s nástroji bez provozní brzdy bude doba chodu výrazně snížena brzděním.

ČISTĚNÍ

Větrací štěrby nářadí udržujeme stále čisté.

ÚDRŽBA

Používat výhradně příslušenství Milwaukee a náhradní díly Milwaukee. Díly jejichž výměny nebyla popsána, nechte vyměnit v autorizovaném servisu (viz. "Záruky / Seznam servisních míst")

Při potřebě podrobného rozkresu konstrukce, oslovte informací o typu a čísle přímo servis a nebo výrobce, Techtronic Industries GmbH, Max-Eyth-Straße 10, 71364 Winnenden, Germany.

SYMBOLY

	Před spuštěním stroje si pečlivě přečtěte návod k používání.
	POZOR! VAROVÁN! NEBEZPEČÍ!
	Před zahájením veškerých prací na vrtacím šroubováku vyjmout výměnný akumulátor.
	Ochranný kryt nepoužívejte při řezání.
	Nepoužívejte sílu.
	Použijte sílu.
	Při práci se strojem neustále nosit ochranné brýle.
	Používejte chrániče sluchu.
	Používejte při práci vhodnou ochranou masku.
	Používejte ochranné rukavice!
	Pracujte vždy oběma rukama.
	Pouze na broušení.
	Pouze na řezání.
	Věnujte pozornost přípustné tloušťce kotouče.
	Příslušenství není součástí dodávky, viz program příslušenství.
	Směr otáčení



Odpadní baterie a odpadní elektrická a elektronická zařízení se nesmějí likvidovat společně s domovním odpadem. Odpadní baterie a odpadní elektrická a elektronická zařízení je nutné sbírat a likvidovat odděleně. Před likvidací odstraňte ze zařízení odpadní baterie, odpadní akumulátory a osvětlovací prostředky. Informujte se na místních úřadech nebo u vašeho odborného prodejce ohledně recyklačních dvorů a sběrných míst. Podle místních ustanovení mohou maloobchodní prodejci být povinni bezplatně odebrat zpět odpadní baterie a odpadní elektrická a elektronická zařízení. Opětovným použitím a recyklací vašich odpadních baterií a vašich odpadních elektrických a elektronických zařízení přispíváte ke snížení potřeby surovin. Odpadní baterie (především lithium-iontové baterie), odpadní elektrická a elektronická zařízení obsahují cenné, opětovně použitelné materiály, které při ekologické likvidaci nemohou mít negativní účinky na životní prostředí a vaše zdraví. Před likvidací pokud možno vymažte na vašem odpadním přístroji existující osobní údaje.

n	Jmenovité otáčky
v	napětí
	Stejnoseměrný proud
	Značka shody v Evropě
	Značka shody v Británii
	Značka shody na Ukrajině
	Značka shody pro oblast Eurasie

	Pracujte vždy dvoma rukami.
	Iba na brúsenie.
	Iba na rezanie.
	Dbajte na prípustnú hrúbku disku.
	Príslušenstvo - nie je súčasťou štandardnej výbavy, odporúčané doplnenie z programu príslušenstva.
	Smer otáčania
	Použitie batérie a odpad z elektrických a elektronických zariadení sa nesmie likvidovať spolu s domovým odpadom. Použitie batérie a odpad z elektrických a elektronických zariadení treba zbierať a likvidovať oddelene. Pred likvidáciou odstráňte zo zariadení použité batérie, použité akumulátory a osvetľovacie prostriedky. Informujte sa pri miestnych úradoch alebo u vášho odborného predajcu oňhľadom recyklačných dvorov a zberných miest. Podľa miestnych ustanovení môžu maloobchodní predajcovia byť povinní bezplatne zobrať späť použité batérie a odpad z elektrických a elektronických zariadení. Opätovným použitím a recykláciou vašich použitých batérií a vášho odpadu z elektrických a elektronických zariadení prispievate k zníženiu potreby surovín. Použitie batérie (predovšetkým lítium-iónové batérie), odpad z elektrických a elektronických zariadení obsahuje cenné, opätovne použiteľné materiály, ktoré pri ekologickej likvidácii nemôžu mať negatívne účinky na životné prostredie a vaše zdravie. Pred likvidáciou podľa možnosti vymažte na vašom použitom prístroji existujúce osobné údaje.
n	Menovitý počet obrátok
V	Napätie
	Jednosmerný prúd
	Značka zhody v Európe
	Značka zhody v Británii
	Značka zhody na Ukrajine
	Značka zhody pre oblasť Eurázie

DANE TECHNICZNE	M18 BLSAG125X	M18 BLSAG115XP	M18 BLSAG125XP
Typ	Szlifierka kątowa akumulatorowa	Szlifierka kątowa akumulatorowa	Szlifierka kątowa akumulatorowa
Numer produkcyjny	4972 15 01 XXXXXX MJJJJ	4972 25 01 XXXXXX MJJJJ	4972 35 01 XXXXXX MJJJJ
Napięcie baterii akumulatorowej	18 V	18 V	18 V
Znamionowa prędkość obrotowa	11000 min ⁻¹	11000 min ⁻¹	11000 min ⁻¹
Gwint wrzeciona roboczego	M14	M14	M14
D=Średnica tarczy ścierniej maks.	125 mm	115 mm	125 mm
d=średnica otworu obrobnego	22,2 mm	22,2 mm	22,2 mm
	b=Grubość ściernicy maks.	6 mm	6 mm
	b=Grubość tarczy tnącej maks. / min.	3 mm / 1 mm	3 mm / 1 mm
	D=Średnica tarczy szlifierskiej maks.	125 mm	115 mm
	D=Średnica szczotek garnkowych maks.	75 mm	75 mm
Ciężar wg procedury EPTA 01/2014 (Li-Ion 2,0 Ah ... 12,0 Ah)	2,2 ... 3,3 kg	2,2 ... 3,3 kg	2,2 ... 3,3 kg
Zalecana temperatura otoczenia w trakcie eksploatacji	-18 ... +50 °C	-18 ... +50 °C	-18 ... +50 °C
Zalecane zestawy akumulatorowe	M18B...; M18HB...	M18B...; M18HB...	M18B...; M18HB...
Zalecane ładowarki	M12-18...; M1418C6	M12-18...; M1418C6	M12-18...; M1418C6
Informacja dotycząca szumów: Zmierzone wartości wyznaczone zgodnie z normą EN 62841.			
Poziom szumów urządzenia oszacowany jako A wynosi typowo:			
Poziom ciśnienia akustycznego / Niepewność K	92,51 dB (A) / 3 dB (A)	92,51 dB (A) / 3 dB (A)	92,51 dB (A) / 3 dB (A)
Poziom mocy akustycznej / Niepewność K	100,51 dB (A) / 3 dB (A)	100,51 dB (A) / 3 dB (A)	100,51 dB (A) / 3 dB (A)
Należy używać ochraniaczy uszu!			
Informacje dotyczące wibracji: Wartości łączne drgań (suma wektorowa trzech kierunków) wyznaczone zgodnie z normą EN 62841			
Wartość emisji drgań a _v / Niepewność K			
Szlifowanie powierzchni	6,30 m/s ² / 1,5 m/s ²	7,10 m/s ² / 1,5 m/s ²	7,10 m/s ² / 1,5 m/s ²
Szlifowanie z użyciem krążka ściernego	1,97 m/s ² / 1,5 m/s ²	1,82 m/s ² / 1,5 m/s ²	1,82 m/s ² / 1,5 m/s ²
W przypadku innych zastosowań, takich jak na przykład przecinanie ściernicą lub szlifowanie za pomocą szczotki z drutu stalowego, mogą wynikać inne wartości wibracji!			

OSTRZEŻENIE!

Poziom drgań i emisji hałasu podany w niniejszej instrukcji zmierzono zgodnie ze standardową metodą badania wg EN 62841 i można ją wykorzystać do porównania narzędzia z innym narzędziem. Można go wykorzystać przy wstępnej ocenie narażenia.

Deklarowany poziom emisji drgań i hałasu reprezentuje główne zastosowania narzędzia. Jeśli jednak narzędzie jest używane do różnych zastosowań, z różnymi akcesoriami lub w przypadku nieprawidłowej konserwacji, emisja drgań i hałasu może się różnić. Może to znacznie zwiększyć poziom narażenia w całym okresie eksploatacji narzędzia.

Oszacowanie poziomu narażenia na wibracje i hałas powinno również uwzględniać czasy, kiedy narzędzie jest wyłączone lub kiedy jest włączone, ale nie pracuje. Może to znacznie obniżyć poziom ekspozycji w całym okresie eksploatacji narzędzia.

Należy zidentyfikować dodatkowe środki bezpieczeństwa w celu ochrony operatora przed skutkami wibracji i/lub hałasu, takie jak: utrzymywanie narzędzia i akcesoriów w nienagannym stanie, utrzymywanie ciepła rąk, organizacja pracy.

OSTRZEŻENIE! Prosimy o przeczytanie wskazówek bezpieczeństwa i zaleceń, również tych. Błędy w przestrzeganiu poniższych wskazówek mogą spowodować porażenie prądem, pożar i/lub ciężkie obrażenia ciała.

Należy starannie przechowywać wszystkie przepisy i wskazówki bezpieczeństwa dla dalszego zastosowania.

INSTRUKCJE BEZPIECZEŃSTWA DLA SZLIFIEREK KĄTOWYCH

Wspólne wskazówki ostrzegawcze dotyczące szlifowania, szlifowania okładziną ścierną, prac z użyciem szczotek drucianych, polerowania i przecinania ściernicą:

a) Elektronarzędzie należy używać jako szlifierki, szlifierki z użyciem okładziny ścierniej, szczotki drucianej i przecinania ściernicą. Należy przestrzegać wszystkich wskazówek ostrzegawczych, przepisów, opisów i danych, które otrzymał Państwo wraz z elektronarzędziem. Jeśli nie będą przestrzegane następujące przepisy, może dojść do porażenia prądem, pożaru i/lub ciężkich obrażeń ciała.

WSKAZÓWKI DLA AKUMULATORÓW LITOWO-JONOWYCH**Użytkowanie akumulatorów litowo-jonowych**

Akumulatory, które nie były przez dłuższy czas użytkowane, należy przed użyciem naładować.

W temperaturze powyżej 50°C następuje spadek osiągniętych wkładki akumulatorowej. Unikać długotrwałego wystawienia na oddziaływanie ciepła lub promieni słonecznych (niebezpieczeństwo przegrzania).

Styki ładowarek i wkładek akumulatorowych należy utrzymywać w czystości

Dla zapewnienia optymalnej żywotności akumulatory po użyciu należy naładować do pełnej pojemności.

Dla zapewnienia możliwie długiej żywotności akumulatory należy wyjąć z ładowarki po ich naładowaniu.

W przypadku składowania akumulatorów dłużej aniżeli 30 dni: Akumulator przechowywać w temperaturze nieprzekraczającej 27°C i z dala od wilgoci..

Przechowywać je w stanie naładowanym do ok. 30% - 50%.. Ładować je ponownie co 6 miesięcy.

Ochrona przeciwprzeciążeniowa w akumulatorach litowo-jonowych

W przypadku przeciążenia akumulatora przez bardzo duży pobór prądu, na przykład wskutek ekstremalnie dużych momentów obrotowych, narzędzie ręczne z napędem elektrycznym wibruje przez 5 sekund, miga wskaźnik ładowania i narzędzie samoczynnie wyłącza się.

W celu ponownego włączenia narzędzia należy zwolnić przycisk przełączający, a następnie ponownie go włączyć. Przy ekstremalnych obciążeniach akumulator nagrzewa się za mocno. W takim przypadku wszystkie lampki wskaźnika ładowania migają tak długo, aż akumulator ochłodzi się. Po zgaśnięciu wskaźnika ładowania można kontynuować pracę.

Transport akumulatorów litowo-jonowych

Akumulatory litowo-jonowe podlegają ustawowym przepisom dotyczącym transportu towarów niebezpiecznych.

Transport tych akumulatorów winien odbywać się przy przestrzeganiu lokalnych, krajowych i międzynarodowych rozporządzeń i przepisów.

Odbiorcom nie wolno transportować tych akumulatorów po drogach ot tak po prostu.

Komercyjny transport akumulatorów litowo-jonowych przez przedsiębiorstwa spedycyjne podlega przepisom dotyczącym transportu towarów niebezpiecznych. Przygotowania do wysyłki oraz transport mogą być wykonywane wyłącznie przez odpowiednio przeszkolone osoby. Cały proces winien odbywać się pod fachowym nadzorem.

W czasie transportu akumulatorów należy przestrzegać następujących punktów:

Celem uniknięcia zwarcia należy upewnić się, że zestyki są zabezpieczone i zaizolowane.

Zwracać uwagę na to, aby zespół akumulatorów nie mógł się przemieszczać we wnętrzu opakowania. Nie wolno transportować akumulatorów uszkodzonych lub z wyciekającym z elektrolitem. Odnośnie dalszych wskazówek należy zwrócić się do swojego przedsiębiorstwa spedycyjnego.

WSKAZÓWKI DOTYCZĄCE UŻYTKOWANIA

W przypadku elektronarzędzi, które mają współpracować z tarczą z otworem gwintowanym należy sprawdzić czy długość gwintu w tarczy odpowiada długości wrzeciona.

Tarcze szlifierskie i tnące należy zawsze stosować i przechowywać zgodnie z zaleceniami producenta.

Przy obróbce zgrubnej i przecinaniu należy zawsze używać osłony na twarz.

Odgięte ściernice należy zamontować tak, aby ich powierzchnia szlifierska nie wystawała poza obszar osłony.

Przed uruchomieniem urządzenia należy dokręcić nakrętkę regulacyjną.

Posługiwać się zawsze uchwytem dodatkowym.

Jeśli ciężar własny obrabianego przedmiotu nie pozwala jego unieruchomienie, to należy go zamocować. W żadnym wypadku nie wolno przedmiotu obrabianego prowadzić względem tarczy.

Przed uruchomieniem maszyny należy mocno dokręcić nakrętkę kolnierkową. Jeśli narzędzie robocze nie zostanie mocno dokręcone, istnieje niebezpieczeństwo utraty potrzebnej siły zamocowania narzędzia roboczego podczas hamowania.

ZABEZPIECZENIE PRZECIĄŻENIOWE I ZABEZPIECZENIE PRZED ODRZUTEM

Urządzenie posiada funkcję zabezpieczającą przed przeciążeniem i odrzutem i zatrzymuje się przy określonym przeciążeniu. Aby kontynuować pracę należy wyłączyć elektronarzędzie, a następnie ponownie je włączyć.

ŁAGODNEGO ROZRUCHU

Bezpieczna obsługa dzięki elektronicznej funkcji łagodnego rozruchu zapobiegająca szarpnięciom.

UKŁAD HAMULCOWY

Hamulec wybiegowy uruchamia się po zwolnieniu przycisku, powodując natychmiastowe zatrzymanie narzędzia.

Przed odłożeniem należy upewnić się, że narzędzie całkowicie się zatrzymało.

W porównaniu z narzędziami bez hamulca wybiegowego czas wybiegu zostaje znacznie skrócony przez hamowanie.

CZYSZCZENIE

Otwory wentylacyjne elektronarzędzia muszą być zawsze drożne.

UTRZYMANIE I KONSERWACJA

Używać tylko i wyłącznie wyposażenia dodatkowego Milwaukee i części zamiennych Milwaukee. Gdyby trzeba było wymienić części, które nie zostały opisane, należy skontaktować się z przedstawicielem serwisu Milwaukee (patrz wykaz adresów punktów usługowych/gwarancyjnych).

Na życzenie można otrzymać rysunek widoku zespołu rozebranego. Przy zamawianiu należy podać numer oraz typ elektronarzędzia umieszczony na tabliczce znamionowej. Zamówienia można dokonać albo u lokalnych przedstawicieli serwisu, albo bezpośrednio w Techtronic Industries GmbH, Max-Eyth-Straße 10, 71364 Winnenden, Germany.

SYMBOLY

Przed uruchomieniem elektronarzędzia zapoznać się uważnie z treścią instrukcji.



UWAGA! OSTRZEŻENIE NIEBEZPIECZEŃSTWO!



Przed przystąpieniem do jakichkolwiek prac na elektronarzędziu należy wyjąć wkładkę akumulatorową.



Nie używaj osłony do operacji odcinania.



Nie używać siły.



Zastosuj siłę.



Podczas pracy należy zawsze nosić okulary ochronne.



Stosować środki ochrony słuchu!



Nosić odpowiednią maskę przeciwpyłową.



Nosić rękawice ochronne!
















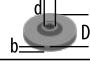
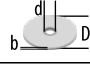
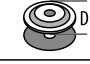

Zawsze obsługuj narzędzie dwiema rękami.



Tylko do szlifowania.

	Tylko do cięcia.
	Zwróć uwagę na dopuszczalną grubość tarczy.
	Wyposażenie dodatkowe dostępne osobno.
	Kierunek obrotów
	Zużyte baterie oraz zużyty sprzęt elektryczny i elektroniczny nie może być usuwany razem z odpadami pochodzącymi z gospodarstw domowych. Zużyte baterie oraz zużyty sprzęt elektryczny i elektroniczny należy gromadzić i usuwać oddzielnie. Przed utylizacją należy usunąć z urządzeń zużyte baterie, zużyte akumulatory oraz źródła światła. Proszę zasięgnąć informacji o centrach recyklingowych i punktach zbiorczych u władz lokalnych lub u wyspecjalizowanego dostawcy. W zależności od lokalnych przepisów, sprzedawcy detaliczni mogą być zobowiązani do bezpłatnego odbioru zużytego sprzętu elektrycznego i elektronicznego. Poprzez ponowne wykorzystanie i recykling zużytych baterii oraz zużytego sprzętu elektrycznego i elektronicznego pomagamy zmniejszać zapotrzebowanie na surowce. Zużyte baterie (zwłaszcza baterie litowo-jonowe) oraz zużyty sprzęt elektryczny i elektroniczny zawierają cenne materiały nadające się do recyklingu, które mogą mieć negatywny wpływ na środowisko naturalne i zdrowie użytkownika, jeśli nie zostaną zutilizowane w sposób przyjazny dla środowiska. Przed utylizacją zużytego sprzętu należy usunąć wszelkie zamieszczone na nim dane osobowe.
n	Znamionowa prędkość obrotowa
V	Napięcie
	Prąd stały
	Europejski Certyfikat Zgodności
	Brytyjski Certyfikat Zgodności
	Ukraiński Certyfikat Zgodności
	Euroazjatycki Certyfikat Zgodności

	Hordjon védőkesztyűt!
	Mindig két kézzel működtesse.
	Csak csiszolási munkákhoz.
	Csak vágási munkákhoz.
	Ügyeljen a megengedett korongvastagságra.
	Azokat a tartozékokat, amelyek gyárilag nincsenek a készülékhez mellékelve, külön lehet megrendelni.
	Forgásirány
	A hulladékelemeket, az elektromos és elektronikus berendezések hulladékait nem szabad a háztartási hulladékkal együtt ártalmatlanítani. A hulladékelemeket, az elektromos és elektronikus berendezések hulladékait elkülönítve kell gyűjteni és ártalmatlanítani. Az ártalmatlanítás előtt távolítsa el a hulladékelemeket, a hulladékkumulátorokat és az izzókat a berendezésekből. A helyi hatóságoknál vagy szakkereskedőjénél tájékozódjon a hulladékudvarokról és gyűjtőhelyekről. A helyi rendelkezésektől függően a kiskereskedők kötelesek lehetnek a hulladékelemeket, az elektromos és elektronikus berendezések hulladékait ingyenesen visszavenni. A hulladékelemek, az elektromos és elektronikus berendezések hulladékainak újrahasználatával és újrahasznosításával járuljon hozzá a nyersanyagszükséglet csökkentéséhez. A hulladékelemek (mindenekelőtt a lítium-ion elemek), az elektromos és elektronikus berendezések hulladékai értékes újrahasznosítható anyagokat tartalmaznak, melyek környezetvédelmi szempontból nem megfelelő ártalmatlanítás esetén negatív hatással lehetnek a környezetre és az Ön egészségére. Ártalmatlanítás előtt törölje a használt készüléken lévő lehetséges személyes adatokat.
n	Névleges fordulatszám
V	Feszültség
	Egyenáram
	Európai megfelelőségi jelölés
	Egyesült királyságbeli megfelelőségi jelölés
	Ukrán megfelelőségi jelölés
	Eurázsiai megfelelőségi jelölés

TEHNIČNI PODATKI	M18 BLSAG125X	M18 BLSAG115XPD	M18 BLSAG125XPD
Model	Baterijske kotni brusilniki	Baterijske kotni brusilniki	Baterijske kotni brusilniki
Proizvodna številka	4972 15 01 XXXXXX MJJJJ	4972 25 01 XXXXXX MJJJJ	4972 35 01 XXXXXX MJJJJ
Napetost izmenljivega akumulatorja	18 V	18 V	18 V
Nazivno število vrtljajev	11000 min ⁻¹	11000 min ⁻¹	11000 min ⁻¹
Vretenasti navoj	M14	M14	M14
D=Brusilne plošče ø maks.	125 mm	115 mm	125 mm
d=vrtanje - ø	22,2 mm	22,2 mm	22,2 mm
 b=Debelina brusne plošče maks.	6 mm	6 mm	6 mm
 b=Debelina rezalne plošče maks. / min.	3 mm / 1 mm	3 mm / 1 mm	3 mm / 1 mm
 D=Premer brusilne plošče maks.	125 mm	115 mm	125 mm
 D=Žične ščetke-ø maks.	75 mm	75 mm	75 mm
Teža po EPTA-proceduri 01/2014 (Li-Ion 2,0 Ah ... 12,0 Ah)	2,2 ... 3,3 kg	2,2 ... 3,3 kg	2,2 ... 3,3 kg
Priporočena temperatura okolice za obratovanje	-18 ... +50 °C	-18 ... +50 °C	-18 ... +50 °C
Priporočeni kompleti akumulatorjev	M18B...; M18HB...	M18B...; M18HB...	M18B...; M18HB...
Priporočeni polnilniki	M12-18...; M1418C6	M12-18...; M1418C6	M12-18...; M1418C6
Informacije o hrupnosti: Vrednosti merjenja ugotovljene ustrezno z EN 62841.			
Raven hrupnosti naprave ovrednotena z A, znaša tipično:			
Nivo zvočnega tlaka / Nevarnost K	92,51 dB (A) / 3 dB (A)	92,51 dB (A) / 3 dB (A)	92,51 dB (A) / 3 dB (A)
Višina zvočnega tlaka / Nevarnost K	100,51 dB (A) / 3 dB (A)	100,51 dB (A) / 3 dB (A)	100,51 dB (A) / 3 dB (A)
Nosite zaščito za sluh!			
Informacije o vibracijah: Skupna vibracijska vrednost (Vektorska vsota treh smerdoločena ustrezno EN 62841.			
Vibracijska vrednost emisij a _v / Nevarnost K			
Brušenje površin	6,30 m/s ² / 1,5 m/s ²	7,10 m/s ² / 1,5 m/s ²	7,10 m/s ² / 1,5 m/s ²
Brušenje s smirkovim papirjem	1,97 m/s ² / 1,5 m/s ²	1,82 m/s ² / 1,5 m/s ²	1,82 m/s ² / 1,5 m/s ²
Pri uporabi za druge namene, kot npr. rezanje ali brušenje z jeklenožično krtačo, se lahko izkažejo drugačne vibracijske vrednosti!			


OPOZORILO!

Raven vibracij in hrupa, navedena v tem informativnem listu, je bila izmerjena v skladu s standardiziranim preskusom iz EN 62841 in jo je mogoče uporabljati za primerjavo orodij med seboj. Mogoče jo je tudi uporabiti za predhodno oceno izpostavljenosti.

Navedena raven vibracij in hrupa predstavlja glavno uporabo orodja. Če pa se orodje uporablja za različne namene, z različnimi dodatki ali slabo vzdrževano, se lahko vibracije in hrup razlikujejo. To lahko znatno poveča raven izpostavljenosti v celotnem delovnem obdobju.

Pri oceni ravni izpostavljenosti vibracijam in hrupu je treba upoštevati tudi čas, ko je orodje izklopljeno ali ko teče, vendar dejansko ne opravlja dela. To lahko bistveno zmanjša raven izpostavljenosti v celotnem delovnem obdobju.

Ugotovite dodatne varnostne ukrepe za zaščito upravljavca pred učinki vibracij in/ali hrupa, kot so: vzdrževanje orodja in dodatkov, tople roke, organizacija delovnih vzorcev.

 OPOZORILO! Preberite vsa varnostna opozorila in navodila. Napake zaradi neupoštevanja spodaj navedenih opozoril in napotil lahko povzročijo električni udar, požar in/ali težke telesne poškodbe.

Vsa opozorila in napotila shranite, ker jih boste v prihodnje še potrebovali.

VARNOSTNA NAVODILA ZA KOTNO BRUSILKO

Skupna opozorila za brušenje, brušenje z brusnim papirjem, delo z žičnimi ščetkami, poliranje in rezanje:

a) To električno orodje se lahko uporablja za brušenje, brušenje z brusnim papirjem, brušenje z žično ščetko rezalni stroj.. Upoštevajte vsa opozorila, navodila, slikovne prikaze in podatke, ki ste jih prejeli skupaj z električnim orodjem. Zaradi nespoštovanja spodaj navedenih navodil lahko pride do električnega udara, požara in/ali težkih telesnih poškodb.

b) To električno orodje ni primerno za poliranje. Vrste uporabe, za katere električno orodje ni predvideno, lahko ogrozijo Vašo varnost in povzročijo telesne poškodbe.

c) Tega električnega orodja ne predelajte tako, da deluje na način, ki ni posebej zasnovan in določen s strani proizvajalca orodja. Takšna predelava lahko povzroči izgubo nadzora in povzroči resne telesne poškodbe.

d) Ne uporabljajte pribora, ki ga proizvajalec za to orodje ni specialno predvidel in katerega uporabe ne priporoča. Zgolj dejstvo, da lahko nek pribor pritrpite na Vaše električno orodje, še ne zagotavlja varne uporabe.

e) Dovoljeno število vrtljajev uporabljenega orodja mora biti vsaj tako visoko, kot je največje število vrtljajev električnega orodja. Pribor, ki se vrti hitreje od dovoljenega števila vrtljajev, se lahko polomi in razleti.

ne bo mogoč zdrsni. Poškodovanih ali iztekajočih akumulatorjev ni dovoljeno transportirati. Za nadaljnja navodila se obrnite na vaše špediarsko podjetje.

PRACOVNE POKYNY

Pri brusilnih sredstvih, ki so opremljeni s ploščico z navojem se prepričajte, da je navoj v ploščici dovolj dolg za vreteno.

Rezalne in brusilne plošče vedno uporabljajte in shranjujte v skladu z navedbami proizvajalca.

Pri grobem struženju ali rezanju vedno delajte z zaščitnim pokrovom.

Izbočene brusne plošče je treba montirati tako, da njihova brusna površina ne bo segala izven ravni roba ščitnika.

Matica prirobnice mora biti pred zagonom stroja zategnjena.

Vedno uporabljajte dodatni ročaj.

Kos, ki ga želite obdelovati, mora biti trdno vpet, če ne drži že zaradi lastne teže. Nikoli obdelovalnega kosa ne vodite z roko proti plošči.

Prirobnična matica mora biti pred zagonom stroja trdno privita. V kolikor uporabljeno orodje ne bi bilo s prirobnično matico trdno privito, obstaja možnost, da uporabljeno orodje med zaviranjem izgubi potrebno napetost privitja.

ZAŠČITA PRED PREOBREMENITVIJO IN POVRATNIM UDARCEM

Naprava je opremljena z Overload - in Anti Kickback zaščitno funkcijo in se pri ustrezni preobremenitvi ustavi. Izklopite električno orodje in ga za nadaljevanje z delom ponovno vklopite.

RAHLI ZAGON

Elektronski rahli zagon za varno delovanje pri vklopu preprečuje sunkovit zagon stroja.

ZAVORNI SISTEM

Ko se sproži sprožilo, se aktivirana zavora vklopi, zaradi česar se orodje ustavi v nekaj sekundah.

Preden orodje za vstavljanje odložite, se prepričajte, da je popolnoma zaustavljeno.

V primerjavi z orodjem brez zavore z naknadnim delovanjem se bo čas zaviranja močno zmanjšal.

ČIŠČENJE

Pazite na to, da so prezračevalne reže stroja vedno čiste.

VZDRŽEVANJE

Uporabljajte samo Milwaukee pribor in Milwaukee nadomestne dele. Poskrbite, da sestavne dele, katerih zamenjava ni opisana, zamenjajo v Milwaukee servisni službi (upoštevajte brošuro Garancija aslovi servisnih služb).

Po potrebi se lahko pri vaši servisni službi ali direktno pri Techtronic Industries GmbH naroči eksplozijska risba naprave ob navedbi tipa stroja in številke s tipske ploščice Techtronic Industries GmbH, Max-Eyth-Straße 10, 71364 Winnenden, Germany.

SIMBOLI

	Prosimo, da pred uporabo pozorno preberete to navodilo za uporabo.
	POZOR! OPOZORILO! NEVARNO!
	Pred vsemi deli na stroji odstranite izmenljivi akumulator.
	Ne uporabljajte zaščitne naprave za odrezovanje.
	Brez uporabe sile.
	Uporabi silo.
	Pri delu s strojem vedno nosite zaščitna očala.
	Nosite zaščito za sluh.
	Nosite ustrezno masko proti prahu.
	Nositi zaščitne rokavice
	Vedno upravljajte z dvema rokama.
	Zgolj za brusilna opravila.
	Zgolj za rezalna opravila.
	Bodite pozorni na dovoljeno debelino plošče.
	Oprema – ni vsebovana v obsegu dobave, priporočeno dopolnilo iz programa opreme.
	Smer vrtenja

	Odpadnih baterij, odpadne električne in elektronske opreme ne odstranjujte kot nesortirani komunalni odpadki. Odpadne baterije ter odpadno električno in elektronsko opremo je treba zbirati ločeno. Odpadne baterije, odpadne akumulatorje in svetlobne vire je treba odstraniti iz opreme. Za nasvet glede recikliranja in zbirnih mest se obrnite na lokalno oblast ali trgovca. V skladu z lokalnimi predpisi so lahko trgovci na drobno obvezani, da morajo brezplačno vzeti nazaj odpadne baterije ter odpadno električno in elektronsko opremo. Vaš prispevek k ponovni uporabi in recikliranju odpadnih baterij ter odpadne električne in elektronske opreme pomaga pri zmanjševanju povpraševanja po surovinah. Odpadne baterije, še posebej tiste, ki vsebujejo litij, ter odpadna električna in elektronska oprema vsebujejo dragocene materiale, primerne za recikliranje, ki imajo lahko, če niso odstranjeni na okolju prijazen način, škodljive posledice za okolje in zdravje ljudi. Z odpadne opreme izbrišite osebne podatke, če obstajajo.
n	Nazivno število vrtljajev
V	Napetost
	Enosmerni tok
	Evropska oznaka za združljivost
	Britanska oznaka za združljivost
	Ukrajinska oznaka za združljivost
	Evrazijska oznaka za združljivost



Stare baterije, električni i elektronički uređaji se ne smiju zbrinjavati skupa sa kućnim smećem. Stare baterije, električni i elektronički uređaji se moraju odvojeno skupljati i zbrinuti. Prije zbrinjavanja odstranite stare baterije, stare akumulatora i rasvjetna sredstva iz uređaja. Raspitajte se kod mjesnih vlasti ili kod Vašeg stručnog trgovca o mjestima recikliranja i mjestima skupljanja. Zavisno o mjesnim odredbama stručni trgovci mogu biti obvezatni, stare baterije, i električne i elektroničke stare uređaje besplatno uzeti nazad. Doprinesite kroz ponovnu primjenu i recikliranje Vaših starih baterija, električnih i elektronskih uređajata, da se potreba za sirovinama smanji. Stare baterije (prije svega litij-ionske baterije, električne i elektronske stare uređaje sadrže dragocjene, ponovno uporabljive materijale, koje bi kod zbrinjavanja protivno očuvanju okoline mogli imati negativne posljedice za okolinu i Vaše zdravlje. Prije zbrinjavanja izbrišite postojeće podatke koji se odnose na osobe, koji se po mogućnosti nalaze na Vašem starom uređaju.

n	Nazivni broj okretaja
V	Napon
	Istosmjerna struja
	Europski znak suglasnosti
	Britanski znak suglasnosti
	Ukrajinski znak suglasnosti
	Euroazijski znak suglasnosti

TEHNIŠKIE DATI	M18 BLSAG125X	M18 BLSAG115XPD	M18 BLSAG125XPD	
Konstrukcija	Akumulatora lenĉa slĉpmašina	Akumulatora lenĉa slĉpmašina	Akumulatora lenĉa slĉpmašina	
Izlaides numurs	4972 15 01 XXXXXX MJJJJ	4972 25 01 XXXXXX MJJJJ	4972 35 01 XXXXXX MJJJJ	
Akumulatora spriegums	18 V	18 V	18 V	
Nominālais griešanās ātrums	11000 min ⁻¹	11000 min ⁻¹	11000 min ⁻¹	
Vārpstas vijums	M14	M14	M14	
D=Slĉpdisks ar diametru maksimālais	125 mm	115 mm	125 mm	
d=urbuma ø	22,2 mm	22,2 mm	22,2 mm	
	b=Slĉpripas biezums maksimālais	6 mm	6 mm	6 mm
	b=Griešanas diska biezums maksimālais / minimālais	3 mm / 1 mm	3 mm / 1 mm	3 mm / 1 mm
	D=Slĉpšanas diska diametrs maksimālais	125 mm	115 mm	125 mm
	D=Koniskās birstes diametrs ø maksimālais	75 mm	75 mm	75 mm
Svars atbilstoši EPTA -Procedure 01/2014 (Li-Ion 2,0 Ah ... 12,0 Ah)	2,2 ... 3,3 kg	2,2 ... 3,3 kg	2,2 ... 3,3 kg	
Darbībai ieteicamā apkārtnes temperatūra	-18 ... +50 °C	-18 ... +50 °C	-18 ... +50 °C	
Ieteicamie akumulatoru komplekti	M18B...; M18HB...	M18B...; M18HB...	M18B...; M18HB...	
Ieteicamās uzlādes ierīces	M12-18...; M1418C6	M12-18...; M1418C6	M12-18...; M1418C6	
Trokšņu informācija: Vērtības, kas noteiktas saskaņā ar EN 62841.				
A novērtētās aparatūras skaņas līmenis ir:				
Trokšņa spiediena līmenis / Nedrošība K	92,51 dB (A) / 3 dB (A)	92,51 dB (A) / 3 dB (A)	92,51 dB (A) / 3 dB (A)	
Trokšņa jaudas līmenis / Nedrošība K	100,51 dB (A) / 3 dB (A)	100,51 dB (A) / 3 dB (A)	100,51 dB (A) / 3 dB (A)	
Nēsāt trokšņa slāpētāju!				
Vibrāciju informācija: Svārstību kopējā vērtība (Trīs virzienu vektoru summtiek noteikta atbilstoši EN 62841.				
svārstību emisijas vērtība a _v / Nedrošība K				
Virsmas slĉpšana	6,30 m/s ² / 1,5 m/s ²	7,10 m/s ² / 1,5 m/s ²	7,10 m/s ² / 1,5 m/s ²	
Slĉpšana ar slĉppapīru	1,97 m/s ² / 1,5 m/s ²	1,82 m/s ² / 1,5 m/s ²	1,82 m/s ² / 1,5 m/s ²	
Izmantojot citur, piem., veicot abrazīvo griešanu vai slĉpējot ar tērauda birsti, vibrācijas lielumi var būt citādi!				

UZMANĪBU!

Vibrācijas un trokšņa emisijas līmenis šajā informācijas lapā ir izmērīts saskaņā ar EN 62841 standarta testa metodi un var tikt izmantots, lai salīdzinātu vienu ierīci ar otru. Tās var tikt izmantotas ietekmes sākotnējai izvērtēšanai.

Norādītais vibrācijas un trokšņa emisijas līmenis attēlo ierīces galvenos izmantošanas veidus. Tomēr, ja ierīce tiek izmantota citiem mērķiem, ar citu papildaprīkojumu vai nepareizi apkalpota, vibrācijas un trokšņa emisija var atšķirties. Tas var ievērojami paaugstināt ietekmes līmeni visā darba laikā.

Novērtējot vibrācijas un trokšņa ietekmes līmeni, vajadzētu ņemt vērā arī laiku, kad ierīce ir izslēgta vai ieslēgta, taču netiek lietota. Tas var ievērojami samazināt ietekmes līmeni visā darba laikā.

Lai aizsargātu operatoru no vibrācijas un/vai trokšņa, veiciet papildu drošības pasākumus, piemēram, veiciet apkopi ierīcei un papildaprīkojumam, uzturiet rokas siltas, organizējiet darba grafiku.

UZMANĪBU! Izlasiet visu drošības instrukciju un lietošanas pamācību klāt. Šeit sniegto drošības noteikumu un norādījumu neievērošana var izraisīt aizdegšanos un būt par cēloni elektriskajam triecienam vai nopietnam savainojumam.

Pēc izlasīšanas uzglabājiet šos noteikumus turpmākai izmantošanai.

DROŠĪBAS TEHNĪKAS NOTEIKUMI LENĀKA SLĪPMAŠĪNAI

Kopējie drošības noteikumi slĉpšanai, slĉpšanai ar smilšpapīra loksni, darbam ar stieplu suku, pulēšanai un griešanai:

a) Šis elektroinstruments ir lietojams kā slĉpmašina, kas piemērota arī slĉpšanai ar smilšpapīra loksni, darbam ar stieplu suku, pulēšanai un griešanai. Ņemiet vērā visas elektroinstrumentam pievienotās instrukcijas, norādījumus, attēlus un citu informāciju. Turpmāk sniegto norādījumu neievērošana var kļūt par cēloni elektriskajam triecienam, ugunsgrēkam un/vai smagam savainojumam.

b) Šis elektroinstruments nav piemērots pulēšanai. Elektroinstrumenta izmantošana tādu uzdevumu veikšanai, kuriem tas nav paredzēts, var būt bīstama un izraisīt savainojumus.

c) Nepārveidojiet elektroinstrumentu, lai to lietotu tādā veidā, kādu nav īpaši izstrādājis un norādījis instrumenta ražotājs.

tā jāuzlādē.
Lai akumulatori kalpotu pēc iespējas ilgāku laiku, tos pēc uzlādes ieteicams atvienot no lādētāj ierīces.
Akumulatora uzglabāšana ilgāk kā 30 dienas:
Glabājiet akumulatora bloku mitrumam nepakļautā vietā temperatūrā zem 27 °C.
Uzglabāt akumulatoru uzlādes stāvoklī aptuveni pie 30%-50%..
Uzlādēt akumulatoru visus 6 mēnešus no jauna.

Litija jonu akumulatoru aizsardzība pret pārslodzi

Akumulatoru pārslogojuma gadījumos, esot ļoti lielam elektroenerģijas patēriņam, piem., ārkārtīgi augsts griezes moments, pēkšņa apstāšanās vai īssavienojums, elektriskais darbarīks 5 sekundes vibrē, uzlādes indikators mirgo, un elektriskais darbarīks pats izslēdzas.

Lai to atkal ieslēgtu, atlaidiet ieslēgšanas pogu un tad to ieslēdziet no jauna. Esot ārkārtīgi augstam noslogojumam, akumulators sakarst pārāk daudz. Šādā gadījumā visas uzlādes indikatora lampiņas mirgo tik ilgi, kamēr akumulators ir atdzisis. Darbu varat turpināt, kad uzlādes indikatora vairs nedeg.

Litija jonu akumulatoru transportēšana

Uz litija jonu akumulatoriem attiecas noteikumi par bīstamo kravu pārvadāšanu.
Šo akumulatoru transportēšana jāveic saskaņā ar vietējiem, valsts un starptautiskajiem normatīvajiem aktiem un noteikumiem.
Patērētāja darbības, pārvadājot šos akumulatorus pa autoceļiem, nav reglamentētas.
Uz litija jonu akumulatoru komerciālu transportēšanu, ko veic ekspedīcijas uzņēmums, attiecas bīstamo kravu pārvadāšanas noteikumi. Sagatavošanas darbus un transportēšanu drīkst veikt tikai atbilstoši apmācīts personāls. Viss process jāveda profesionāli.
Veicot akumulatoru transportēšanu, jāievēro:
Pārliecinieties, ka kontakti ir aizsargāti un izolēti, lai izvairītos no īssavienojumiem.
Pārliecinieties, ka akumulators iepakojumā nevar paslīdēt. Bojātus vai tekošus akumulatorus nedrīkst transportēt. Plašāku informāciju Jūs varat saņemt no ekspedīcijas uzņēmuma.

DARBA NORĀDĪJUMI

Attiecībā uz slīpēšanas materiāliem, ko paredzēts izmantot ar ripu, kurai ir vītne, vajag pārliecināties par to, ka ripas vītnes izmērs atbilst vārpstas izmēram.
Atdalīšanas un slīpēšanas diskus izmantot un uzglabāt, ievērojot ražotāja norādījumus.
Veicot rupjo slīpēšanu un zāģējot instrumentam vienmēr nepieciešams aizsargpārvalks.
Slīpdiski, kas parasti ir augstāki par slīpripām, ir jāuzstāda tā, lai to slīpējamā virsma neatrastos ārpus diska aizsarga.
Disku saturošo uzgriezni pirms mašīnas darba uzsākšanas vajag pievilkt.
Vienmēr vajag izmantot papildus rokturi.
Apstrādājamā detaļa, ja to netur pašsvars, ir stingri jānostiprina. Nekādā gadījumā apstrādājamo detaļu nedrīkst spiest pie diska ar roku.
Pirms mašīnas nodošanas ekspluatācijā uzgriežņiem jābūt cieši pievilktam. Ja darbības instruments nav cieši pievilktis ar uzgriezni, pastāv iespēja, ka darbības instruments bremzēšanas laikā zaudē nepieciešamo elastību.

AIZSARDZĪBA PRET PĀRSLODZI UN ATSITIENU

Ierīcei ir pārslogojuma un pret trieciena aizsardzības funkcija un tā apstājas pie atbilstoša noslogojuma. Izslēdziet elektroinstrumentu un pēc tam to atkal ieslēdziet, lai turpinātu darbu.

REGULĒTĀ PAKĀPENISKĀ

Elektroniski regulētā pakāpeniskā iedarbināšana novērš grūdienveida iedarbošanos pēc mašīnas iedarbināšanas.

BREMŪSISTĒMA

Inerces bremze sāk darboties, kad tiek atlaists sprūds. Tad ierīce apstājas dažu sekunžu laikā.
Pirms ievietojamā instrumenta nolikšanas pārliecinieties, ka tas ir apstādīnāts.
Salīdzinājumā ar instrumentiem bez inerces bremzes ieslēgšanās laiks būs būtiski samazināts bremzēšanas dēļ.

TĪRĪŠANA

Vajag vienmēr uzmanīti, lai būtu tīras dzesēšanas atveres.

APKOPE

Izmantojiet tikai firmu Milwaukee piederumus un firmas Milwaukee rezerves daļas. Lieciet nomainīt detaļas, kuru nomaina nav aprakstīta, kādā no firmu Milwaukee klientu apkalpošanas servisiem. (Skat. brošūru "Garantija/klientu apkalpošanas serviss".)
Ja nepieciešams, klientu apkalpošanas servisā vai tieši pie firmas Technonic Industries GmbH, Max-Eyth-Straße 10, 71364 Winnenden, Germany, var pieprasīt instrumenta numurs, kas norādīts uz jaudas paneļa.

SIMBOLI

	Pirms sākt lietot instrumentu, lūdzu, izlasiet lietošanas pamācību.
	UZMANĪBU! BĪSTAMI!
	Pirms mašīnai veikt jebkāda veida apkopes darbus, ir jāizņem arī akumulators.
	Nelietojiet šo pašu aizsargu griešanas darbiem.
	Nepielietot spēku
	Pieliek spēku.
	Strādājot ar mašīnu, vienmēr jānēsā aizsargbrilles.
	Nēsājiet ausu aizsargus.
	Jānēsā piemērota maska, kas pasargā no putekļiem.
	Jāvalkā aizsargcimdi!
	Vienmēr vadiet darbarīku ar abām rokām.
	Tikai slīpēšanai

	Tikai atdalīšanai
	Pievērsiet uzmanību pieļaujamajam ripas biežumam.
	Piederumi - standartaprīkojumā neietvertās, bet ieteicamās papildus komplektācijas detaļas no piederumu programmas.
	Griešanās virzienu
	Neutilizējiet bateriju atkritumus, elektrisko un elektronisko iekārtu atkritumus kā nešķirotus sadzīves atkritumus. Bateriju atkritumi un elektrisko un elektronisko iekārtu atkritumi ir jāsavāc atsevišķi. Bateriju atkritumi, akumulatoru atkritumi un gaismas avotu atkritumi ir jānoņem no iekārtas. Sazinieties ar vietējo iestādi vai mazumtirgotāju, lai iegūtu padomus par atbilstošu pārstrādi un savākšanas punktu. Atkarībā no vietējiem noteikumiem, mazumtirgotājiem var būt pienākums bez maksas pieņemt atpakaļ bateriju atkritumus un elektrisko un elektronisko iekārtu atkritumus. Jūsu ieguldījums bateriju atkritumu un elektrisko un elektronisko iekārtu atkritumu atkārtotā izmantošanā un atbilstošā pārstrādē palīdz samazināt pieprasījumu pēc izejvielām. Bateriju atkritumos, īpaši tajos, kas satur liģūnu, un elektrisko un elektronisko iekārtu atkritumos ir vērtīgi, atbilstoši pārstrādājami materiāli, kas var negatīvi ietekmēt vidi un cilvēku veselību, ja tie netiek utilizēti videi draudzīgā veidā. No iekārtu atkritumiem izdzēsiet personāla datus, ja tādi ir.
n	Nominālais griešanās ātrums
V	Voltāža
	Līdzstrāva
	Eiropas atbilstības zīme
	Lielbritānijas atbilstības zīme
	Ukrainas atbilstības zīme
	001
	Eirāzijas atbilstības zīme



Neišmeskite baterijų atliekų, elektros ir elektroninės įrangos atliekų kaip nerūšiuotų komunalinių atliekų. Baterijų ir elektros bei elektroninės įrangos atliekos turi būti surenkamos atskirai. Iš įrangos turi būti pašalintos baterijų, akumuliatorių atliekos ir šviesos šaltiniai. Patarimų dėl perdėbimo ir surinkimo vietos kreipkitės į vietinę instituciją arba pardavėją. Priklausomai nuo vietos teisės akto, mažmenininkai gali būti įpareigoti nemokamai priimti atgal senas baterijas, seną elektros ir elektronikos įrangą. Jūsų indėlis į pakartotinį baterijų ir elektros bei elektroninės įrangos atliekų panaudojimą ir perdėbimą padeda sumažinti žaliavų poreikį. Akumuliatorių, ypač kurių sudėtyje yra ličio, ir elektros bei elektroninės įrangos atliekose yra vertingų, perdirbamų medžiagų, kurios gali neigiamai paveikti aplinką ir žmonių sveikatą, jei jos nebus šalinamos aplinką tausojančiu būdu. Išrinkite personalo duomenis iš įrangos atliekų, jei tokių yra.

n	Nominalus sūkių skaičius
V	Įtampa
	Nuolatinė srovė
	Europos atitikties ženklas
	Britanijos atitikties ženklas
	Ukrainos atitikties ženklas
	Eurazijos atitikties ženklas

TEHNIŠED ANDMED	M18 BLSAG125X	M18 BLSAG115XPD	M18 BLSAG125XPD	
Konstruksioon	Juhtmeta nurgalihvimismasin	Juhtmeta nurgalihvimismasin	Juhtmeta nurgalihvimismasin	
Tootmisnumber	4972 15 01 XXXXXX MJJJJ	4972 25 01 XXXXXX MJJJJ	4972 35 01 XXXXXX MJJJJ	
Vahetatava aku pinge	18 V	18 V	18 V	
Nimipöörded	11000 min ⁻¹	11000 min ⁻¹	11000 min ⁻¹	
Spindlikeere	M14	M14	M14	
D=Lihvketta ø max	125 mm	115 mm	125 mm	
d=puurava ø	22,2 mm	22,2 mm	22,2 mm	
	b=Lihvketta paksus max	6 mm	6 mm	6 mm
	b=Lõikeketta paksus max / min	3 mm / 1 mm	3 mm / 1 mm	3 mm / 1 mm
	D=Poleerimisketta läbimõõt max	125 mm	115 mm	125 mm
	D=Kaussharja ø max	75 mm	75 mm	75 mm
Kaal vastavalt EPTA-protseduurile 01/2014 (Li-Ion 2,0 Ah ... 12,0 Ah)	2,2 ... 3,3 kg	2,2 ... 3,3 kg	2,2 ... 3,3 kg	
Soovituslik keskkonna temperatuur töötamiseks	-18 ... +50 °C	-18 ... +50 °C	-18 ... +50 °C	
Soovituslikud akupakid	M18B...; M18HB...	M18B...; M18HB...	M18B...; M18HB...	
Soovituslik laadija	M12-18...; M1418C6	M12-18...; M1418C6	M12-18...; M1418C6	
Müra andmed: Mõõteväärtused on kindlaks tehtud vastavalt normile EN 62841. Seadme tüüpiline hinnanguline (müratase):				
Helirõhutase / Määramatus K	92,51 dB (A) / 3 dB (A)	92,51 dB (A) / 3 dB (A)	92,51 dB (A) / 3 dB (A)	
Helivõimsuse tase / Määramatus K	100,51 dB (A) / 3 dB (A)	100,51 dB (A) / 3 dB (A)	100,51 dB (A) / 3 dB (A)	
Kandke kaitseks kõrvaklappe!				
Vibratsiooni andmed: Vibratsiooni koguväärtus (kolme suuna vektorsummõõdetud EN 62841 järgi).				
Vibratsiooni emissiooni väärtus a _n / Määramatus K				
Pinna lihvimine	6,30 m/s ² / 1,5 m/s ²	7,10 m/s ² / 1,5 m/s ²	7,10 m/s ² / 1,5 m/s ²	
Lihvlehega lihvimine	1,97 m/s ² / 1,5 m/s ²	1,82 m/s ² / 1,5 m/s ²	1,82 m/s ² / 1,5 m/s ²	
Muude tööde puhul, nt lõikamisel või terastraadist harjaga lihvimisel võivad vibratsiooniväärtused muutuda!				

▲ TÄHELEPANU!

Sellel teabelehel toodud vibratsiooni- ja müraemissioon on mõõdetud standardis EN 62841 kirjeldatud standarditud testiga ning seda võib kasutada tööriistade omavaheliseks võrdlemiseks. Testi võib kasutada kokkupuute esialgseks hindamiseks.

Deklareeritud vibratsiooni- ja müratase puudutab tööriista põhikasutus. Kui tööriista kasutatakse muuks otstarbeks, teistsuguste tarvikutega või tööriista hooldatakse halvasti, võivad vibratsioon ja müraemissioon erineda. See võib kokkupuutetasest kogu tööajal oluliselt suurendada.

Vibratsiooni ja müraga kokkupuute hinnangulise taseme juures tuleb arvesse võtta ka aega, kui tööriist on välja lülitatud või töötab, kuid sellega ei tehta tööd. See võib kokkupuutetasest kogu tööaja kohta oluliselt vähendada.

Tehke kindlaks täiendavad ohutusmeetmed operaatori kaitsmiseks vibratsiooni ja/või müra eest, näiteks: hooldage tööriista ja tarvikuid, hoidke käed soojas, vaadake üle töökorraldus.

▲ **TÄHELEPANU!** Lugege kõik ohutusnõuanded ja juhendid läbi. Ohutusnõuete ja juhiste eiramise tagajärjeks võib olla elektrilööki, tulekahju ja/või rasked vigastused.

Hoidke kõik ohutusnõuded ja juhised edasiseks kasutamiseks hoolikalt alles.

OHUTUSJUHIŠED NURKLIHVIJATELE

Ühised ohutusjuhised lihvimiseks, liivapaberiga lihvimiseks, traatharjaga töötlemiseks, poleerimiseks ja lõikamiseks:

a) Käesolev elektriline tööriist on ette nähtud lihvimiseks, liivapaberiga lihvimiseks, traatharjaga töötlemiseks ja lõikamiseks. Järgige kõiki tööriistaga kaasasolevaid hoiatusi, juhiseid, jooniseid ja tehnilisi andmeid. Järgnevalt toodud juhiste eiramise tagajärjeks võib olla elektrilööki, tulekahju ja/või rasked vigastused.

b) See elektriline tööriist ei sobi poleerimiseks. Elektrilise tööriista kasutamise otstarbel, milleks see ei ole ette nähtud, on ohtlik ja võib põhjustada vigastusi.

c) Ärge kohandage seda elektritööriista otstarbeks, mida tootja ei ole selle tööriista puhul ette näinud. Selline muudatus võib põhjustada kontrolli kaotamist ja tekitada raskeid kehavigastusi.

d) Ärge kasutage tarvikuid, mida ei ole tootja selle elektrilise tööriista jaoks ette näinud ega soovitanud. Asjaolu, et saate tarvikud oma seadme külge kinnitada, ei taga veel seadme ohutut tööd.

e) Instrumendi lubatud pöörete arv peab olema vähemalt sama suur kui elektritööriista märgitud maksimaalne pöörete arv. Tarvikud, mis pöörlevad lubatust kiiremini, võivad murduda ja lendu paiskuda.

Töödeldav toorik tuleb kinnitada, kui ta ei seisa oma raskusega paigal. Ärge juhtige toorikut kunagi käega vastu ketast.

Enne masina kasutusele võtmist peavad mutrid olema tugevalt pingutatud Kui instrument pole tugevalt mutriga pingutatud, on võimalik, et instrument pidurdamise ajal kaotab vajaliku elastsuse

ÜLEKOORMUS- JA TAGASILÕOGIKAITSE

Seade on varustatud "Overload" ja "Anti Kickback" katsefunktsiooniga ning seiskub vastava ülekoormuse korral. Lülitage elektritööriist välja ja seejärel töö jätkamiseks tagasi sisse.

SUJUVKÄIVITUS

Turvaliseks käsitsemiseks mõeldud elektrooniline sujuvkäivitus takistab masina järsku käivitumist sisselülitamisel.

PIDURISÜSTEEM

Tööpidur rakendub käivituslüüti lahtilaskmisel, nii et tööriist jääb mõne sekundiga seisma.

Enne sisetootööriista mahapanekut veenduge, et see on täielikult seisma jäänud.

Võreldes tööriistadega, millel ei ole tööpidurit, jääb tööriist tänu pidurdamisele oluliselt kiiremini seisma.

PUHASTAMINE

Hoidke masina õhutuspilud alati puhtad.

HOOLDUS

Kasutage ainult Milwaukee tarvikuid ja Milwaukee tagavaraosi. Detailid, mille väljavahetamist pole kirjeldatud, laske välja vahetada Milwaukee klienditeeninduspunktis (vaadake brošüüri garantii / klienditeeninduste aadressid).

Vajaduse korral võite tellida seadme läbilõikejoonise, näidates ära masina tüübi ja andmesildil oleva numbri. Selleks pöörduge klienditeeninduspunkti või otse: Techtronic Industries GmbH, Max-Eyth-Straße 10, 71364 Winnenden, Germany.

SÜMBOLID

	Palun lugege enne käikulaskmist kasutamishand hoolikalt läbi.
	ETTEVAATUST! TÄHELEPANU! OHUD!
	Enne kõiki töid masina kallal võtke vahetatav aku välja.
	Ärge kasutage kaitset lõiketöödeks.
	Ärge kasutage jõudu.
	Rakenda jõudu.
	Masinaga töötades kandke alati kaitseprille.
	Kandke kaitseks kõrvaklappe.

	Kanda sobivat kaitsemaski.
	Kanda kaitsekindaid!
	Kasutage töö ajal alati mõlemat kätt.
	Ainult lihvimistöodeks.
	Ainult lõikamistöodeks.
	Kasutage lubatud paksusega kettaid.
	Tarvikud - ei kuulu tarne komplekti, soovitatav täiendus on saadaval tarvikute programmis.
	Pöörlemissuund
	Ärge kõrvaldage patareide, elektri- ja elektroonika-seadmete jäätmeid sorteerimata olmejäätmetena. Akude, elektri- ja elektroonikaseadmete jäätmed tuleb koguda eraldi. Akude, akumulaatorite ja valgusallikate jäätmed tuleb seadmetest eemaldada. Küsige oma kohalikest määrustest või jaemüüjalit nõuandeid ringlussevõtu ja kogumispunkti kohta. Olenevalt kohalikest määrustest võib jaemüüjalit lasuda kohustus võtta akude, elektri- ja elektroonikaseadmeid vastu tasuta. Teie panus akude, elektri- ja elektroonika-seadmete jäätmete korduskasutusse ja ringlussevõtu aitab vähendada nõudlust toorainete järele. Akud, eriti liitiumakud ning elektri- ja elektroonikaseadmete jäätmed, sisaldavad väärtuslikke taaskasutatavaid materjale, mis võivad kahjustada keskkonda ja inimeste tervist, kui neid ei kõrvaldata keskkonnasõbralikul viisil. Kustutage kõrvaldatavatest seadmetest isiklikud andmed, kui neid seal on.
n	Nimipöörded
V	Voltaaž
	Alalisvool
	Euroopa vastavusmärk
	Ühendkuningriigi vastavusmärk
	Ukraina vastavusmärk
	Euraasia vastavusmärk

ТЕХНИЧЕСКИЕ ДАННЫЕ	M18 BLSAG125X	M18 BLSAG115XPD	M18 BLSAG125XPD	
Модель	Акк. угловая шлифмашина	Акк. угловая шлифмашина	Акк. угловая шлифмашина	
Серийный номер изделия	4972 15 01 XXXXXX MJJJJ	4972 25 01 XXXXXX MJJJJ	4972 35 01 XXXXXX MJJJJ	
Вольтаж аккумулятора	18 V	18 V	18 V	
Номинальное число оборотов	11000 min ⁻¹	11000 min ⁻¹	11000 min ⁻¹	
Резьба шпинделя	M14	M14	M14	
D=Диаметр шлифовального диска макс.	125 mm	115 mm	125 mm	
d=Диаметр и отверстия	22,2 mm	22,2 mm	22,2 mm	
	b=Толщина шлифовального диска макс.	6 mm	6 mm	6 mm
	b=Толщина отрезного круга макс. / мин.	3 mm / 1 mm	3 mm / 1 mm	3 mm / 1 mm
	D=Диаметр шлифовального диска макс.	125 mm	115 mm	125 mm
	D=Ø круглой щетки макс.	75 mm	75 mm	75 mm
Вес согласно процедуре ЕРТА 01/2014 (Li-Ion 2,0 Ah ... 12,0 Ah)	2,2 ... 3,3 kg	2,2 ... 3,3 kg	2,2 ... 3,3 kg	
Температура окружающей среды, рекомендованная для эксплуатации	-18 ... +50 °C	-18 ... +50 °C	-18 ... +50 °C	
Рекомендованные аккумуляторные блоки	M18B...; M18HB...	M18B...; M18HB...	M18B...; M18HB...	
Рекомендованные зарядные устройства	M12-18...; M1418C6	M12-18...; M1418C6	M12-18...; M1418C6	
Информация по шумам: Значения замерялись в соответствии со стандартом EN 62841. Уровень шума прибора, определенный по показателю A, обычно составляет:				
Уровень звукового давления / Небезопасность K	92,51 dB (A) / 3 dB (A)	92,51 dB (A) / 3 dB (A)	92,51 dB (A) / 3 dB (A)	
Уровень звуковой мощности / Небезопасность K	100,51 dB (A) / 3 dB (A)	100,51 dB (A) / 3 dB (A)	100,51 dB (A) / 3 dB (A)	
Пользуйтесь приспособлениями для защиты слуха.				
Информация по вибрации: Общие значения вибрации (векторная сумма трех направлений) определены в соответствии с EN 62841.				
Значение вибрационной эмиссии a _h / Небезопасность K				
Плоское шлифование	6,30 m/s ² / 1,5 m/s ²	7,10 m/s ² / 1,5 m/s ²	7,10 m/s ² / 1,5 m/s ²	
Шлифовка с помощью шлифовального полотна	1,97 m/s ² / 1,5 m/s ²	1,82 m/s ² / 1,5 m/s ²	1,82 m/s ² / 1,5 m/s ²	
При применении в других целях, как, напр., абразивное отрезание или шлифование стальной проволочной щеткой, могут получаться другие показатели вибрации!				

ВНИМАНИЕ!

Заявленные значения вибрации и шумового излучения, указанные в настоящем информационном листе, были измерены согласно стандартизированному методу испытания согласно EN 62841 и могут использоваться для сравнения одного инструмента с другим. Они могут применяться для предварительной оценки воздействия на организм человека.

Указанные значения вибрации и шумового излучения действительны для основных областей применения инструмента. Однако если инструмент используется в других областях применения или с другими принадлежностями либо проходит ненадлежащее обслуживание, значения вибрации и шумового излучения могут отличаться. Это может существенно увеличить уровень воздействия на организм на протяжении общего периода работы.

При оценке уровня воздействия вибрации и шумового излучения на организм также необходимо учитывать периоды, когда инструмент выключен, или когда он работает, но фактически не используется для выполнения работы. Это может существенно сократить уровень воздействия на организм на протяжении общего периода работы.

Определите дополнительные меры для защиты оператора от воздействия вибрации и/или шума, такие как обслуживание инструмента и его принадлежностей, сохранение рук в тепле, организация графиков работы.

ВНИМАНИЕ! Ознакомьтесь со всеми указаниями по безопасности и инструкциями Упущения, допущенные при не соблюдении указаний и инструкций по технике безопасности, могут стать причиной электрического поражения, пожара и тяжелых травм.

Сохраняйте эти инструкции и указания для будущего использования.

УКАЗАНИЯ ПО БЕЗОПАСНОСТИ К УГЛОВОЙ ШЛИФОВАЛЬНОЙ МАШИНЕ

Общие предупреждающие указания по шлифованию, шлифованию наждачной бумагой, для работ с проволочными щетками, для полирования и отрезных работ:

а) Настоящий электроинструмент предназначен для применения в качестве шлифовальной машины, шлифовальной машины с наждачной бумагой,

проволочной щетки и отрезной машины. Учитывайте все предупреждающие указания, инструкции, иллюстрации и данные, которые Вы получите с электроинструментом. При несоблюдении нижеприведенных указаний возможно поражение электротоком, возникновение пожара и/или получение серьезных травм.

b) Настоящий электроинструмент не пригоден для полирования. Выполнение работ, для которых настоящий электроинструмент не предусмотрен, может стать причиной опасных и травм.

c) Не преобразуйте этот электроприводной инструмент для выполнения работы таким образом, который не был специально предусмотрен и указан производителем инструмента. Такое преобразование может привести к потере управления и серьезным травмам.

d) Не применяйте принадлежности, которые не предусмотрены изготовителем специально для настоящего электроинструмента и не рекомендуются им. Только возможность крепления принадлежностей в Вашем электроинструменте не гарантирует еще его надежного применения.

e) Допустимое число оборотов используемых принадлежностей должно быть как минимум таким же, как и максимальное число оборотов, указанное на электроинструменте. Комплекующие, которые вращаются быстрее допустимой скорости, могут сломаться и отлететь.

f) Наружный диаметр и толщина рабочих принадлежностей должны соответствовать размерам Вашего электроинструмента. Неправильно соразмеренные рабочие принадлежности не могут быть в достаточной степени защищены или контролироваться.

g) Размеры крепления вспомогательных принадлежностей должны соответствовать размерам крепежных элементов электроприводного инструмента. Детали, которые не подходят к монтажному стрелку прибора, работают эксцентрично, вибрируют слишком сильно и могут привести к потере контроля над инструментом.

h) Не применяйте поврежденную оснастку. Проверяйте каждый раз перед использованием рабочие инструменты, как то, шлифовальные круги на сколы и трещины, шлифовальные тарелки на трещины, риски или сильный износ, проволочные щетки на незакрепленные или поломанные проволоки. После падения электроинструмента или оснастки проверяйте последнюю на повреждения и при надобности установите неповрежденную оснастку. После ее закрепления займите сами и все находящиеся вблизи лица положение за пределами плоскости вращения и включите электроинструмент на одну минуту на максимальное число оборотов. Поврежденные рабочие инструменты разрываются, в большинстве случаев, за это время контроля.

i) Примените средства индивидуальной защиты. В зависимости от выполняемой работы применяйте защитный щиток для лица, защитное средство для глаз или защитные очки. Насколько уместно, применяйте противопылевой респиратор, средства защиты органов слуха, защитные перчатки или специальный фартук, которые защищают Вас от абразивных частиц и частиц материала. Средства для защиты глаз должны быть способны останавливать разлетающиеся частицы, возникающие при выполнении различных операций. Пылезащитная маска или респиратор должны улавливать частицы, образующиеся при выполнении конкретной операции. Продолжительное воздействие громкого шума может привести к потере слуха.

j) Следите за тем, чтобы все лица находились на безопасном расстоянии к Вашему рабочему участку. Каждое лицо в пределах рабочего участка должно иметь средства индивидуальной защиты. Осколки детали или разорванных рабочих инструментов могут отлететь в сторону и стать причиной травм также и за пределами непосредственного рабочего участка.

k) Если Вы выполняете работы, при которых режущий инструмент может зацепить скрытую электропроводку кабель, инструмент следует держать за специально

предназначенные для этого изолированные поверхности. Контакт режущего инструмента с токоведущим проводом может поставить под напряжение металлические части прибора, а также приводить к удару электрическим током.

l) Никогда не кладите электрический инструмент до тех пор, пока инструментальная насадка полностью не остановится. Вращающийся рабочий инструмент может зацепиться за опорную поверхность и в результате Вы можете потерять контроль над электроинструментом.

m) Выключайте электроинструмент при транспортировании. Ваша одежда может быть случайно захвачена вращающимся рабочим инструментом и последний может нанести Вам травму.

n) Регулярно очищайте вентиляционные прорези Вашего электроинструмента. Вентилятор двигателя затягивает пыль в корпус и большое скопление металлической пыли может привести к поражению электричеством.

o) Не пользуйтесь электроинструментом вблизи горячих материалов. Искры могут воспламенить эти материалы.

p) Не применяйте рабочие принадлежности, требующие применение охлаждающих жидкостей. Применение воды или других охлаждающих жидкостей может привести к поражению электротоком.

Обратный удар и соответствующие предупреждения.

Обратный удар это внезапная реакция в результате заедания или блокирования вращающихся частей инструмента/принадлежностей, как то, шлифовального круга, шлифовальной тарелки, проволочной щетки и т.д., ведущая к резкой остановке вращающихся частей инструмента. При этом неконтролируемый электроинструмент ускоряется против направления вращения принадлежности

Если шлифовальный круг заедает или блокирует в заготовке, то погруженная в заготовку кромка шлифовального круга может быть зажата и в результате привести к выскакиванию круга из заготовки или к обратному удару. При этом шлифовальный круг движется на оператора или от него, в зависимости от направления вращения круга на месте блокирования. При этом шлифовальный круг может поломаться.

Обратный удар является следствием неправильного использования электроинструмента или ошибки оператора. Он может быть предотвращен описанными ниже мерами предосторожности.

a) Крепко держите электроинструмент и займите Вашим телом и руками положение, в котором Вы можете противодействовать обратным силам. При наличии, всегда применяйте дополнительную рукоятку, чтобы как можно лучше противодействовать обратным силам или реакционным моментам при наборе оборотов. Оператор может подходить мерами предосторожности противодействовать силам обратного удара и реакционным силам.

b) Ваша рука никогда не должна быть вблизи вращающегося рабочего инструмента. Приспособление может отскочить в сторону вашей руки.

c) Держитесь в стороне от участка, в котором при обратном ударе будет двигаться электроинструмент. Обратный удар ведет электроинструмент в противоположном направлении к движению шлифовального круга в месте блокирования.

d) Особенно осторожно работайте на углах, острых кромках и т.д. Предотвращайте отскок рабочего инструмента от заготовки и его заклинивания. Углы, острые кромки и пружинящие элементы могут стать причиной заклинивания вращающейся оснастки. Это вызывает потерю контроля или обратный удар.

e) Не пользуйтесь цепными или зубчатыми пилами. Такие инструментальные насадки часто приводят к отдаче или потере контроля над электрическим инструментом.

Специальные предупреждающие указания по шлифованию и отрезанию

a) Используйте только те типы дисков, которые были указаны для вашего электроприводного инструмента, и специальный щиток, предназначенный для выбранного диска. Абразивные инструменты, не предусмотренные для этого электроинструмента, не могут быть достаточно экранированы и не безопасны.

b) Изогнутые шлифовальные диски необходимо устанавливать таким образом, чтобы их шлифовальная поверхность не выходила за пределы края защитного кожуха. Установленный ненадлежащим образом шлифовальный диск, выходящий за пределы края защитного кожуха, невозможно экранировать достаточным образом.

c) Всегда применяйте защитный кожух, предусмотренный для применяемого вида абразивного инструмента. Защитный кожух должен быть надежно закреплен на электроинструменте и настроен так, чтобы достигалась наибольшая степень безопасности, т.е. в сторону оператора должна быть открыта как можно меньшая часть абразивного инструмента. Щиток помогает защитить оператора от обломков диска, от случайного соприкосновения с диском, а также от искр, которые могут вызвать воспламенение одежды.

d) Диски должны использоваться только для указанных задач. В частности, запрещается выполнять шлифование боковой стороной отрезного диска. Отрезные круги предназначены для сдвига материала кромкой. Боковые силы на этот абразивный инструмент могут сломать его.

e) Всегда применяйте неповрежденные фланцевые гайки с правильными размерами и формой для выбранного Вами шлифовального круга. Правильные фланцы являются опорой для шлифовального круга и уменьшают опасность его поломки. Фланцы для отрезных кругов могут отличаться от фланцев для шлифовальных кругов.

f) Не применяйте изношенные шлифовальные круги больших электроинструментов. Диск, предназначенный для более мощного электроприводного инструмента, не подходит для использования при высокой скорости вращения, характерной для менее мощного инструмента, и может лопнуть.

g) При использовании дисков двойного назначения всегда используйте щиток, соответствующий выполняемой задаче. Использование неподходящего щитка может снизить требуемый уровень защиты, что может привести к серьезным травмам.

Дополнительные особые меры безопасности для абразивной резки.

a) Предотвращайте блокирование отрезного круга и повышенное усилие прижатия. Не выполняйте слишком глубоких резов. Перегрузка отрезного круга повышает его нагрузку и склонность к перекашиванию или блокированию и этим возможность обратного удара или поломки абразивного инструмента.

b) Будьте осторожны перед и за вращающимся отрезным кругом. Если Вы ведете отрезной круг в заготовке от себя, то в случае обратного удара электроинструмент может с вращающимся кругом отскочить прямо на Вас.

c) При заклинивании отрезного круга и при перерыве в работе выключайте электроинструмент и держите его спокойно, неподвижно до остановки круга. Никогда не пытайтесь вынуть еще вращающийся отрезной круг из реза, так как это может привести к обратному удару. Установите и устраните причину заклинивания.

d) Не включайте повторно электроинструмент пока абразивный инструмент находится в заготовке. Дайте отрезному кругу развить полное число оборотов, перед тем как Вы осторожно продолжите резание. В противном случае круг может заесть, он может выскочить из детали и привести к обратному удару.

e) Плиты или большие заготовки должны надежно лежать на опоре, чтобы снизить опасность обратного удара при

заклинивания отрезного круга. Большие заготовки могут прогибаться под собственным весом. Заготовка должна лежать на опорах с обеих сторон, как вблизи реза, так и по краям.

f) Действуйте с особой осторожностью при вырезании участков существующих стен или при работе в других слепых зонах. Погружающийся отрезной круг может при резании газопровода или водопровода, электрических проводов или других объектов привести к обратному удару.

g) Не пытайтесь выполнять разрезание по кривой. Превышение допустимых пределов увеличивает нагрузку и вероятность скручивания или заедания диска в разрезе, а также риск обратного удара или поломки диска, что может привести к серьезным травмам.

Особые указания по технике безопасности при шлифовании.

a) Используйте бумагу для шлифовальных дисков подходящего размера. При выборе наждачной бумаги руководствуйтесь рекомендациями производителя. Если наждачная бумага имеет слишком большой размер и выходит за пределы шлифовальной основы, это представляет опасность порезов и может вызвать заедание, истирание диска или обратный удар.

Особые предупреждения по технике безопасности при очистке проволочной щеткой.

a) Учитывайте, что металлическая щетина может отлетать даже во время обычной работы. Не перегружайте проволоку, подвергая щетку чрезмерной нагрузке. Металлическая щетина может легко проникнуть сквозь одежду и/или кожу.

b) Если для очистки проволочной щеткой предусмотрено использование защитного щитка, не допускайте соприкосновения проволочного диска или щетки с защитным щитком. Тарельчатые и чашечные щетки могут увеличивать свой диаметр под действием прижатия и центрифугальных сил.

ДОПОЛНИТЕЛЬНЫЕ УКАЗАНИЯ ПО БЕЗОПАСНОСТИ И РАБОТЕ

Перед включением инструмента всегда проверяйте, находится ли кнопка блокиратора шпинделя в положении полной разблокировки. После использования блокиратора шпинделя для крепления/высвобождения абразивного диска кнопка может застрять в положении блокировки.

Необходимо следить за тем, чтобы искры, вылетающие с обрабатываемой поверхности, не попадали на воспламеняющиеся материалы.

Избегайте попадания искр и шлифовальной пыли на тело.

Никогда не касайтесь опасной режущей зоны в момент работы. Не убирайте опилки и обломки при включенном инструменте.

Немедленно выключайте машину если почувствовали ошутимую вибрацию или при других неисправностях. Проверьте инструмент чтобы обнаружить причину неисправности.

При работе в экстремальных условиях (например, при тонком шлифовании металлов с помощью диска с крепежным отверстием и шлифовального диска из вулканизированного волокна) внутри шлифовальной машины могут скапливаться сильные загрязнения.

Не приближайте металлические предметы к вентиляционным отверстиям из-за опасности короткого замыкания!

ВНИМАНИЕ! Опасность ожога! Во время работы диск и заготовка сильно нагреваются. Заменяя диск или прикасаясь к заготовке, носите перчатки. Всегда держите руки на расстоянии от области шлифования.

ВНИМАНИЕ! Для предотвращения опасности пожара в результате короткого замыкания, травм и повреждения изделия не опускайте инструмент, сменный аккумулятор или зарядное устройство в жидкости и не допускайте попадания жидкостей внутрь устройств или аккумуляторов. Коррозионные и проводящие жидкости, такие как соленый

раствор, определенные химикаты, отбеливающие средства или содержащие их продукты, могут привести к короткому замыканию.

Никогда не вскрывайте аккумуляторы или зарядные устройства и храните их только в сухих помещениях. Следите, чтобы они всегда были сухими.

Для зарядки аккумуляторов модели M18 используйте только зарядным устройством M18. Не заряжайте аккумуляторы других систем.

ИСПОЛЬЗОВАНИЕ

Углошлифовальная машина предназначена для шлифования и резарезания металла, камня, бетона и керамики, а также для обработки шлифовальной бумагой и проволочной щетки.

Используйте для разрезания защитный колпачок из ассортимента принадлежностей.

В случае сомнений соблюдайте указания производителя принадлежностей.

Этот электроинструмент предназначен только для работы всухую.

Устанавливайте на углошлифовальную машину только соответствующие шлифовальные или режущие диски и сопутствующие защитные приспособления (защитный кожух для шлифовки или резания) согласно указаниям в разделе касательно спецификации продукта в настоящем руководстве. Углошлифовальная машина предназначена для ручного использования и не предназначена для установки на рабочем столе или на крепежных приспособлениях.

Не используйте этот продукт для любой другой цели; используйте его только по указанному целевому назначению.

ОСТАТОЧНЫЕ ОПАСНОСТИ

Даже при надлежащем использовании нельзя исключить все остаточные риски. При использовании могут возникнуть такие опасности, на которые пользователь должен обратить особое внимание:

- Травмы вследствие вибрации. Держите прибор за предусмотренные для этого рукоятки и ограничивайте время работы и экспозиции.
- Шумовое воздействие может привести к повреждению слуха. Носите защитные наушники и ограничивайте продолжительность экспозиции.
- Травмы глаз, вызванные частицами загрязнений. Всегда надевайте защитные очки, плотные длинные брюки, рукавицы и прочную обувь.
- Вдыхание ядовитой пыли.

УКАЗАНИЯ ДЛЯ ЛИТИЙ-ИОННЫХ АККУМУЛЯТОРОВ

Использование литий-ионных аккумуляторов

Перед использованием аккумулятора, которым не пользовались некоторое время, его необходимо зарядить.

Температура свыше 50°C снижает работоспособность аккумуляторов. Избегайте продолжительного нагрева или прямого солнечного света (риск перегрева). Контакты зарядного устройства и аккумуляторов должны содержаться в чистоте.

Для обеспечения оптимального срока службы аккумулятор необходимо полностью заряжать после использования прибора. Для достижения максимально возможного срока службы аккумуляторы после зарядки следует вынимать из зарядного устройства.

При хранении аккумулятора более 30 дней:

Храните аккумуляторную батарею при температуре ниже 27°C, вдали от источников влажности.

Храните аккумулятор с зарядом примерно 30% - 50%..

Каждые 6 месяцев аккумулятор следует заряжать.

Защита литий-ионных аккумуляторов от перегрузки

В случае перегрузки аккумулятора по причине слишком большого потребления электроэнергии, при экстремально

большом крутящем моменте, внезапной остановке или коротком замыкании, электроприбор вибрирует в течение 5 секунд, загорается индикатор заряда аккумулятора и электроприбор автоматически выключается. ть работу.

Для повторного включения следует отжать кнопку включения и потом снова включить. При слишком высоких нагрузках аккумулятор перегревается. В этом случае загорятся все лампы индикатора заряда аккумулятора. Когда аккумулятор остынет и лампы погаснут – можно продолжа

Транспортировка литий-ионных аккумуляторов

Литий-ионные аккумуляторы в соответствии с предписаниями закона транспортируются как опасные грузы.

Транспортировка этих аккумуляторов должна осуществляться с соблюдением местных, национальных и международных предписаний и положений.

Эти аккумуляторы могут перевозиться по улице потребителем без дальнейших обязательств.

При коммерческой транспортировке литий-ионных аккумуляторов экспедиторскими компаниями действуют положения, касающиеся транспортировки опасных грузов. Подготовка к отправке и транспортировка должны производиться исключительно специально обученными лицами. Весь процесс должен находиться под контролем специалиста.

При транспортировке аккумуляторов необходимо соблюдать следующие пункты:

Убедитесь, что контакты защищены и изолированы во избежание короткого замыкания.

Следите за тем, чтобы аккумуляторный блок не соскользнул внутри упаковки. Транспортировка поврежденных или протекающих аккумуляторов запрещена. За дополнительными указаниями обратитесь к своему экспедитору.

УКАЗАНИЯ ПО РАБОТЕ

Предназначается для инструментов, которые могут использоваться с кругами, оснащенными резбовым отверстием, причем длина резьбы должна соответствовать длине шпинделя.

Всегда используйте и храните отрезные и шлифовальные диски в соответствии с инструкциями производителя.

При шлифовании или отрезании всегда пользуйтесь защитным ограждением.

Изогнутые шлифовальные диски необходимо устанавливать таким образом, чтобы их шлифовальная поверхность не выходила за пределы края защитного кожуха.

Перед включением инструмента затяните гайку с фланцем.

Всегда пользуйтесь дополнительной рукояткой.

Если изделие не достаточно тяжелое и неустойчивое, то его необходимо закрепить. Никогда не подносите изделие к шлифовальному диску, держа его в руках.

Перед вводом машины в эксплуатацию фланцевая гайка должна быть прочно затянута. Если фланцевая гайка рабочего инструмента затянута непрочно, инструмент при торможении может потерять необходимое зажимное усилие.

ЗАЩИТА ОТ ПЕРЕГРУЗКИ И ОБРАТНОГО УДАРА

Пожалуйста, учитывайте, что при исчезновении нагрузки машина снова самостоятельно запускается с изначальной рабочей скоростью вращения. Выключите электроприводной инструмент, а затем включите его заново для продолжения работы.

ПЛАВНЫЙ СТАРТ

Плавный старт для безопасной работы предотвращает резкое включение инструмента.

ТОРМОЗНАЯ СИСТЕМА

Рабочий тормоз включается при отпускании кнопки запуска, заставляя инструмент остановиться в течение нескольких секунд.

Прежде чем отложить инструмент в сторону, убедитесь в том, что движение вставного инструмента полностью остановлено. По сравнению с инструментами без рабочего тормоза время остаточного движения существенно сокращается.

СТИРКА

Всегда держите охлаждающие отверстия чистыми.

ОБСЛУЖИВАНИЕ

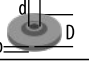
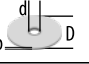
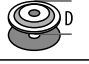

Пользуйтесь аксессуарами и запасными частями Milwaukee. В случае возникновения необходимости в замене, которая не была описана, обращайтесь в один из сервисных центров по обслуживанию электроинструментов Milwaukee (см. список сервисных организаций).

При необходимости может быть заказан чертеж инструмента с трехмерным изображением деталей. Пожалуйста, укажите номер и тип инструмента и закажите чертеж у Ваших местных агентов или непосредственно у Techtronic Industries GmbH, Max-Eyth-Straße 10, 71364 Winnenden, Germany.

СИМВОЛЫ

	Пожалуйста, внимательно прочтите инструкцию по использованию перед началом любых операций с инструментом.
	ВНИМАНИЕ! ПРЕДУПРЕЖДЕНИЕ! ОПАСНОСТЬ!
	Выньте аккумулятор из машины перед проведением с ней каких-либо манипуляций.
	Не используйте защитный щиток для операций отрезания.
	Не применяйте силу
	Применить силу.
	При работе с инструментом всегда надевайте защитные очки.
	Используйте наушники!
	Надевайте противопылевой респиратор.
	Надевать защитные перчатки!
	Всегда работайте двумя руками.
	Только для шлифования.

	Только для отрезания.
	Обращайте внимание на допустимую толщину диска.
	Принадлежности - В стандартную комплектацию не входит, поставляется в качестве дополнительной принадлежности.
	Направление вращения
	Не выбрасывайте отработавшие батареи, электрическое и электронное оборудование вместе с несортированными бытовыми отходами. Отработавшие батареи, а также электрическое и электронное оборудование должны быть утилизированы отдельно. Отработавшие батареи, аккумуляторы и источники света необходимо предварительно извлечь из оборудования. За дополнительной информацией по утилизации и сбору обратитесь в местные муниципальные органы или в розничный магазин. Нормативные требования в некоторых регионах могут обязывать розничные магазины бесплатно утилизировать отработавшее электрическое и электронное оборудование, а также отработавшие батареи. Повторное использование и переработка отработавших батарей, а также старого электронного и электрического оборудования позволяет снизить потребность в сырьевых ресурсах. Отработавшие батареи содержат среди прочего литий, а электронное и электрическое оборудование — ценные перерабатываемые материалы. Однако при ненадлежащей утилизации данные компоненты могут нанести вред окружающей среде и здоровью человека. Удалите конфиденциальную информацию с оборудования при ее наличии.
n	Номинальное число оборотов
V	Напряжение
	Постоянный ток
	Европейский знак соответствия
	Британский знак соответствия
	Украинский знак соответствия
	Евразийский знак соответствия

ТЕХНИЧЕСКИ ДАННИ	M18 BLSAG125X	M18 BLSAG115XPD	M18 BLSAG125XPD	
Тип	Акумулаторен Ъглошлайф	Акумулаторен Ъглошлайф	Акумулаторен Ъглошлайф	
Производствен номер	4972 15 01 XXXXXX MJJJJ	4972 25 01 XXXXXX MJJJJ	4972 35 01 XXXXXX MJJJJ	
Напрежение на акумулатора	18 V	18 V	18 V	
Номинална скорост на въртене	11000 min ⁻¹	11000 min ⁻¹	11000 min ⁻¹	
Резба на шпиндела	M14	M14	M14	
D=Ø на абразивните дискове макс.	125 mm	115 mm	125 mm	
d=отвор с ø	22,2 mm	22,2 mm	22,2 mm	
	b=Дебелина на диска за шлайфане макс.	6 mm	6 mm	6 mm
	b=Дебелина на режещия диск макс. / мин.	3 mm / 1 mm	3 mm / 1 mm	3 mm / 1 mm
	D=Размер на шлифовъчния диск макс.	125 mm	115 mm	125 mm
	D=Ø чашковидна четка макс.	75 mm	75 mm	75 mm
Тегло съгласно процедурата EPTA 01/2014 (Li-Ion 2,0 Ah ... 12,0 Ah)	2,2 ... 3,3 kg	2,2 ... 3,3 kg	2,2 ... 3,3 kg	
Препоръчителна температура на околната среда при експлоатация	-18 ... +50 °C	-18 ... +50 °C	-18 ... +50 °C	
Препоръчителни акумулаторни батерии	M18B...; M18HB...	M18B...; M18HB...	M18B...; M18HB...	
Препоръчителни зарядни устройства	M12-18...; M1418C6	M12-18...; M1418C6	M12-18...; M1418C6	

Информация за шума: Измерените стойности са получени съобразно EN 62841.

Оцененото с А ниво на шума на уреда е съответно:

Равнище на звуковото налягане / Несигурност К 92,51 dB (A) / 3 dB (A) 92,51 dB (A) / 3 dB (A) 92,51 dB (A) / 3 dB (A)

Равнище на мощността на звука / Несигурност К 100,51 dB (A) / 3 dB (A) 100,51 dB (A) / 3 dB (A) 100,51 dB (A) / 3 dB (A)

Да се носи предпазно средство за слуха!

Информация за вибрациите: Общите стойности на вибрациите (векторна сума на три посоки) са определени в съответствие с EN 62841.

Стойност на емисии на вибрациите a _v / Несигурност К	M18B...; M18HB...	M18B...; M18HB...	M18B...; M18HB...
Шлайфане на повърхности	6,30 m/s ² / 1,5 m/s ²	7,10 m/s ² / 1,5 m/s ²	7,10 m/s ² / 1,5 m/s ²
Шлайфане с лента за шлайфане	1,97 m/s ² / 1,5 m/s ²	1,82 m/s ² / 1,5 m/s ²	1,82 m/s ² / 1,5 m/s ²

При друго използване, например отрезно шлайфане или шлайфане със стоманена четка, могат да се получат други стойности на вибрациите!

ВНИМАНИЕ!

Посочените в настоящия информационен лист нива на вибрации и шумови емисии са измерени в съответствие със стандартизирано изпитване, предоставено в EN 62841, и могат да се използват за сравняване на един инструмент с друг. Те може също така да се използват и за предварителна оценка на излагането на вредни въздействия.

Декларираните нива на вибрации и шумови емисии се отнасят за основните приложения на инструмента. Ако обаче инструментът се използва за други приложения, с други приспособления или не се поддържа добре, нивата на вибрации и шумови емисии могат да са различни. Това може значително да повиши нивото на излагане на вредни въздействия за общата продължителност на работата.

При оценка на нивото на излагане на въздействието на вибрации и шум следва също така да се вземе предвид времето, през което инструментът е изключен или през което е включен, но не се използва. Това може значително да понижи нивото на излагане на вредни въздействия за общата продължителност на работата.

Определете допълнителни мерки за безопасност за защита на оператора от въздействието на вибрациите и/или шума, като например поддръжка на инструмента и приспособленията, поддържането на топлината на ръцете и организацията на работата.

ВНИМАНИЕ! Прочетете указанията за безопасност и съветите. Пропуски при спазването на указанията и на инструкциите за безопасност могат да доведат до токов удар, пожар и/или тежки наранявания.

Запазете всички указания и инструкции за безопасност за бъдещето.

УКАЗАНИЯ ПО ТЕХНИКА НА БЕЗОПАСНОСТ ЗА ЪГЛОШЛАЙФ

Общи инструкции за безопасност при шлифване, шлифване с шкурка, работа с телени четки и при абразивно рязане.

а) Този електроинструмент е предвиден за употреба като шлайф, шлайф за шкурене, телена четка и абразивна машина за рязане. Спазвайте всички инструкции за безопасност, указания, илюстрации и данни, които получавате с уреда. Ако не спазвате следните указания, това може да доведе до токов удар, пожар и/или тежки наранявания.

б) Този електроинструмент не е подходящ за запиране. Извършването на дейности, за които електроинструментът не е предназначен, може да бъде опасно и да доведе до травми.

с) Не видеоизменяйте този инструмент по начин, за който той не е специално проектиран и указан от производителя. Подобни изменения могат да доведат до загуба на контрол и да причинят сериозни наранявания.

д) Не използвайте допълнителни приспособления, които не се препоръчват от производителя специално за този електроинструмент. Фактът, че можете да закрепите към машината определено приспособление или работен инструмент, не гарантира безопасна работа с него.

е) Допустимата честота на въртене на използвания се инструмент трябва да бъде поне толкова висока, колкото и посочената на уреда честота на въртене. Аксесоарите, които се въртят по-бързо от допустимото, могат да се счупят и да се разхвърчат.

ф) Външният диаметър и дебелината на работния инструмент трябва да отговарят на посочените размери на Вашия електроинструмент. Работни инструментите с неподходящи размери не могат да бъдат покрити достатъчно или да бъдат контролирани.

г) Размерите на аксесоарите за монтаж трябва да отговарят на размерите на инструмента. Компонентите, които не са подходящи за монтажния дорник на устройството, се движат ексцентрично, вибрират и могат да доведат до загуба на контрола върху инструмента.

h) Не използвайте повредени работни инструменти. Преди всяка употреба проверявайте работните инструменти, напр. абразивните дискове за пукнатини или откътрени ръбчета, подложните дискове за пукнатини или силно износване, телените четки за недобре захванати или счупени телчета. Ако изтървете електроинструмента или работния инструмент, ги проверявайте внимателно за увреждания или използвайте нови неповредени работни инструменти. След като сте проверили внимателно и сте монтирали работния инструмент, оставете електроинструмента да работи на максимални обороти в продължение на една минута; стойте и дръжте намиращи се наблизо лица встрани от равнината на въртене. Най-често повредени работни инструменти се счупят през този тестов период.

и) Носете лични предпазни средства. Според необходимостта използвайте цяла лицева маска, маска за очи или защитни очила. Ако е необходимо носете маска срещу прах, защита на слуха, предпазни ръкавици или специална престилка, която предпазва от малки частици от диска или от материала. Защитните очила трябва да могат да възпират летящи отломки, получени вследствие на различни дейности. Маската против прах или респираторът трябва да може да филтрира частиците, получени вследствие на конкретното действие. Продължителното излагане на шум с висок интензитет може да причини загуба на слуха.

ж) Внимавайте останалите лица да са на безопасно разстояние от Вашата работна зона. Всеки, който влиза в работната зона, трябва да носи лични предпазни средства. Отчупени парченца от обработваната част или от счупени работни инструменти могат да летят и да причинят наранявания дори и на лица извън непосредствената работна зона.

к) Дръжте уреда за изолираните ръкохватки, когато извършвате работи, при които режещият инструмент може да засегне скрити електроинсталационни кабели. Контактът на режещия инструмент с тоководещ проводник може да предаде напрежението върху метални части на уреда и да доведе до токов удар.

л) Никога не оставяйте електрическата машина, докато инструментът не е напълно спрял. Въртящият се работен инструмент може да влезе в контакт с повърхността, върху която сте оставили електроинструмента, поради което може да загубите контрола върху него.

м) Докато пренасяте електроинструмента, не го оставяйте включен. При неволно допир дрежите или косите Ви могат да бъдат увлечени от работния инструмент, в резултат на което работният инструмент може да се вреже в тялото Ви.

п) Почиствайте редовно шлицовете за проветрение на електроинструмента. Духалката на мотора засмуква прах в корпуса на електроинструмента, а насъбирането на метален прах може да причини електрически опасности.

о) Не работете с електроинструмента в близост до запалими материали. Искрите могат да възпламенят тези материали.

р) Не използвайте работни инструменти, които трябва да се охлаждат с течности. Употребата на вода или на други течни охлаждащи средства може да доведе до токов удар.

Предупреждения за откат и подобни:

“Ритането” е внезапна реакция на машината вследствие на закачил се или блокиран въртящ се инструмент, напр. шлайфаща шайба, шлайфащ диск, телена четка и др. Закачането или блокирането води до внезапно спиране на въртящия се инструмент. По този начин на мястото на блокиране машина се ускорява неконтролирано срещу посоката на въртене на инструмента.

Ако напр. шлифовъчния диск се заклини или блокира в обработваната част, ръбът на диска, който влиза в обработваната част, може да се заплете и по този начин шлифовъчния диск може да се счупи или да бъде предизвикан откат. Тогава шлифовъчния диск се отправя към или се отдалечава от обслужващото лице, в зависимост от посоката на въртене на диска на мястото на блокиране. В такъв случай шлифовъчните дискове могат също да се счупят.

Откатът е резултат от неправилна или погрешна употреба на електроинструмента. Той може да бъде предотвратен чрез подходящи мерки за безопасност, както е описано в следното.

а) Хванете здраво машината и дръжте тялото и ръцете си в такова положение, в което да можете да поемете силата на отката. Винаги използвайте допълнителната ръкохватка, ако има такава, за да имате възможно най-голям контрол върху силата на отката или върху реактивния въртящ момент. Чрез подходящи мерки за безопасност обслужващият персонал може да овладее силите на отката и на реакция.

б) Никога не приближавайте ръцете си до въртящи се работни инструменти. Аксесоарът може да предизвика откат над ръката Ви.

с) Избягвайте тялото Ви да се намира в тази зона, в която може да се окаже електрическата машина при “ритане”. “Ритането” измества машината на мястото на блокиране в посока обратна на движението на шлайфащата шайба.

д) Работете особено предпазливо в зоните на Ъгли, остри ръбове и др. п. Избягвайте отблъскването на работните инструменти от обработваната част и заклиняването им в нея. При обработване на ъгли или остри ръбове или при рязко отблъскване на въртящия се работен инструмент съществува повишена опасност от заклиняване. Това предизвиква загуба на контрол над машината или откат.

е) Не използвайте верижни или назъбени режещи дискове. Такива инструменти често причиняват “ритане” или загуба на контрол върху електрическата машина.

Специални указания за безопасна работа с режещи дискове

а) Използвайте само режещи дискове, които са посочени за Вашия инструмент, заедно със специфичния предпазлител, проектиран за избрания диск. Абразивни дискове, които не са предназначени за електроинструмента, не могат да бъдат екранирани добре и не гарантират безопасна работа.

б) Извитите дискове за шлайфане трябва да бъдат монтирани така, че повърхността им за шлайфане да не излиза извън равнината на ръба на предпазния капак. Неправилно монтираният диск за шлайфане, който излиза извън равнината на ръба на предпазния капак, не може да бъде достатъчно добре екраниран.

СИМВОЛИ

	Преди пускане на уреда в действие моля прочетете внимателно инструкцията за използване.
	ВНИМАНИЕ! ПРЕДУПРЕЖДЕНИЕ! ОПАСНОСТ
	Преди започване на каквито и да е работи по машината извадете акумулатора.
	Не използвайте предпазителя за операции по рязане.
	Не използвайте сила.
	Прямият силен удар.
	При работа с машината винаги носете предпазни очила.
	Носете средство за защита на слуха.
	Да се носи подходяща прахозащитна маска.
	Да се носят предпазни ръкавици!
	Винаги работете с две ръце.
	Само за шлифоване.
	Само за рязане.
	Обръщайте внимание на допустимата дебелина на диска.
	Акcesoари - Не се съдържат в обема на доставката, препоръчвано допълнение от програмата за акcesoари.
	Посока на въртене



Отпадъците от батерии, отпадъците от електрическо и електронно оборудване не трябва да се изхвърлят заедно с битовите отпадъци. Отпадъците от батерии, отпадъците от електрическо и електронно оборудване трябва да се събират и изхвърлят отделно. Преди изхвърлянето отстранявайте от уредите отпадъците от батерии, отпадъците от акумулатори и лампите. Информирайте се от местните служби или от своя специализиран търговец относно фирмите за рециклиране и местата за събиране на отпадъци. В зависимост от местните разпоредби, търговците на дребно могат да задължени да приемат безплатно върнатите обратно отпадъци от батерии и от електрическо и електронно оборудване. Дайте своя принос за намаляването на нуждите от суровини чрез повторната употреба и рециклирането на Вашите отпадъци от батерии и отпадъци от електрическо и електронно оборудване. Отпадъците от батерии (най-вече литиево-йонните батерии) и отпадъците от електрическо и електронно оборудване съдържат ценни рециклиращи се материали, които могат да повлияят отрицателно на околната среда и на Вашето здраве, ако не се изхвърлят по екологосъобразен начин. Преди изхвърлянето като отпадък изтрийте от Вашия употребяван уред евентуално наличните в него лични данни.

n	Номинална скорост на въртене
V	Напрежение
	Постоянен ток
	Европейски знак за съответствие
	Британски знак за съответствие
	Украински знак за съответствие
	Евро-азиатски знак за съответствие

DATE TEHNICE	M18 BLSAG125X	M18 BLSAG115XPD	M18 BLSAG125XPD
Tip	Polizor unghiular cu acumulator	Polizor unghiular cu acumulator	Polizor unghiular cu acumulator
Număr producție	4972 15 01 XXXXXX MJJJJ	4972 25 01 XXXXXX MJJJJ	4972 35 01 XXXXXX MJJJJ
Tensiune acumulator	18 V	18 V	18 V
Turație nominală	11000 min ⁻¹	11000 min ⁻¹	11000 min ⁻¹
Filetul axului de lucru	M14	M14	M14
D=Diametru disc de rectificarea max.	125 mm	115 mm	125 mm
d=ø alezajului	22,2 mm	22,2 mm	22,2 mm
	b=Grosimea discului de șlefuit max.	6 mm	6 mm
	b=Grosimea discului de tăiere max. / min.	3 mm / 1 mm	3 mm / 1 mm
	D=Diametrul discului abraziv max.	125 mm	115 mm
	D=ø perii tip cupă max.	75 mm	75 mm
Greutatea conform „EPTA procedure 01/2014” (Li-Ion 2,0 Ah ... 12,0 Ah)	2,2 ... 3,3 kg	2,2 ... 3,3 kg	2,2 ... 3,3 kg
Temperatură ambientală recomandată pentru funcționare	-18 ... +50 °C	-18 ... +50 °C	-18 ... +50 °C
Seturi de baterii recomandate	M18B...; M18HB...	M18B...; M18HB...	M18B...; M18HB...
Încărcător de baterii recomandat	M12-18...; M1418C6	M12-18...; M1418C6	M12-18...; M1418C6

Informație privind zgomotul: Valori măsurate determinate conform EN 62841.
 Nivelul de zgomot evaluat cu A al aparatului este tipic de:
 Nivelul presiunii sonore / Nesigurantă K 92,51 dB (A) / 3 dB (A)
 Nivelul sunetului / Nesigurantă K 100,51 dB (A) / 3 dB (A)

Purtați căști de protecție
Informații privind вибрациите: Valorile totale de oscilație (suma vectorială pe trei direcții) determinate conform нормей EN 62841.
 Valoarea emisии de oscilații a_v / Nesigurantă K
 Șlefuirea suprafețelor 6,30 m/s² / 1,5 m/s² 7,10 m/s² / 1,5 m/s² 7,10 m/s² / 1,5 m/s²
 Șlefuirea cu foaie de șlefuit 1,97 m/s² / 1,5 m/s² 1,82 m/s² / 1,5 m/s² 1,82 m/s² / 1,5 m/s²
 La alte utilizări, ca de ex. retezatul cu mașina de șlefuit sau șlefuitul cu peria de sârmă de oțel, valorile вибрациilor pot fi diferite!

AVERTISMENT!
 Nivelul вибрацией и emisии de zgomot indicat în această fișă informativă a fost măsurat în conformitate cu o metodă standard de testare specificată în EN 62841 și se poate utiliza pentru a compara dispozitivele între ele. Acesta se poate utiliza și într-o evaluare preliminară a expunerii.
 Nivelul declarat al вибрацией și emisии sonore reprezintă principalele aplicații ale dispozitivului. Cu toate acestea, dacă dispozitivul este utilizat pentru aplicații diferite, cu accesorii diferite sau întreținute necorespunzător, emisия de вибрацией și zgomote poate diferi. Acest lucru poate crește semnificativ nivelul expunerii pe întreaga perioadă de lucru.
 O estimare a nivelului de expunere la вибрацией și zgomot ar trebui să țină cont și de momentele în care dispozitivul este oprit sau când funcționează, dar nu realizează de fapt nicio lucrare. Acest lucru poate reduce semnificativ nivelul expunerii pe întreaga perioadă de lucru.
 Identificați мăsuri de siguranță suplimentare pentru a proteja operatorul de efectele вибрациilor și/sau zgomotului, cum ar fi: întreținerea dispozitivului și a accesorіilor, menținerea caldă a mâinilor, organizarea modelelor de lucru.

AVERTISMENT! Citiți toate avizele de siguranță și indicațiile. Nerespectarea indicațiilor de avertizare și a instrucțiunilor poate provoca electrocutare, incendii și/sau răniri grave.
Păstrați toate indicațiile de avertizare și instrucțiunile în vederea utilizării viitoare.

INSTRUCȚIUNI DE SIGURANȚĂ PENTRU POLIZORUL UNGHIULAR

Avertismente comune pentru șlefuire, șlefuire cu hârtie abrazivă, lucrul cu perіile de sârmă, lustruire și tăiere:
a) Această sculă electrică se va folosi ca polizor, perie de sârmă și mașină specială de retezat cu disc abraziv. Respectați toate avertismentele, instrucțiunile, reprezentările și datele primite împreună cu scula electrică. În cazul în care nu veți respecta următoarele instrucțiuni, se poate ajunge la electrocutare, incendii și/sau răniri grave.

INDICAȚII PENTRU ACUMULATORII LI-ION

Utilizarea acumulatorilor Li-Ion

Acumulatorii care nu au fost utilizați o perioadă de timp trebuie reîncărcați înainte de utilizare

Temperatura mai mare de 50°C (122°F) reduce performanța acumulatorului. Evitați expunerea prelungită la căldură sau radiație solară (risc de supraîncălzire)
Contactele încărcătoarelor și acumulatorilor trebuie păstrate curate. În scopul optimizării duratei de funcționare, bateriile trebuie reîncărcate complet după utilizare.
Pentru o durată de viață cât mai lungă, acumulatorii ar trebui scoși din încărcător după încărcare.

La depozitarea acumulatorilor mai mult de 30 zile:
Depozitați blocul de baterii la temperaturi sub 27 °C și în condiții lipsite de umiditate..
Acumulatorii se depozitează la nivelul de încărcare de cca. 30%-50%..
Acumulatorii se încarcă din nou la fiecare 6 luni.

Protecție la suprasarcină la acumulatorii Li-Ion

În cazul unei suprasolicitări a acumulatorului datorită unui consum excesiv de curent electric, de ex. datorită unor momente de turație extrem de înalte, a unei opriri subite sau a unui scurt circuit, scula electrică trepidează timp de 5 secunde, indicația stării de încărcare pălpăie și scula electrică se deconectează de la sine.

Pentru reconectare dați drumul întrerupătorului și conectați din nou. În cazul unor sarcini extreme, acumulatorul se încinge prea tare. În acest caz toate lămpile indicației stării de încărcare pălpăie până când acumulatorul s-a răcit. După ce indicația stării de încărcare s-a stins se poate lucra mai departe.

Transportul acumulatorilor cu ioni de litiu

Acumulatorii cu ioni de litiu cad sub incidența prescripțiilor legale pentru transportul de mărfuri periculoase.

Transportul acestor acumulatori trebuie să se efectueze cu respectarea prescripțiilor și reglementărilor pe plan local, național și internațional.

Consumatorilor le este permis transportul rutier nerestricționat al acestui tip de acumulatori.

Transportul comercial al acumulatorilor cu ioni de litiu prin intermediul firmelor de expediție și transport este supus reglementărilor transportului de mărfuri periculoase. Pregătirile pentru expediție și transportul au voie să fie efectuate numai de către personal instruit corespunzător. Întregul proces trebuie asistat în mod competent.

Următoarele puncte trebuie avute în vedere la transportul acumulatorilor:

Pentru a se evita scurtcircuitate, asigurați-vă de faptul că sunt protejate și izolate contactele.

Aveți grijă ca pachetul de acumulatori să nu poată aluneca în altă poziție în interiorul ambalajului său. Este interzis transportarea unor acumulatori deteriorați sau care pierd lichid. Pentru indicații suplimentare adresați-vă firmei de expediție și transport cu care colaborați.

INDICAȚII DE LUCRU

Pentru sculele care se intenționează a fi dotate cu roți cu orificiu filetat, asigurați-vă că filetul roții este destul de lung pentru a accepta lungimea axului.

Întotdeauna utilizați și păstrați discurile de șlefuire și de tăiere numai în conformitate cu instrucțiunile producătorului.

Întotdeauna utilizați apărătoarea de protecție când se degroșează și se separă.

Discurile de șlefuit cu centrul depresat trebuie montate astfel încât suprafața abrazivă să nu treacă peste marginea planului carcasei de protecție.

Piulița de reglare trebuie să fie stransă înainte de începerea lucrului cu această mașină.

Utilizați întotdeauna mânerul auxiliar.

Piesa de prelucrat trebuie fixată dacă nu este suficient de grea pentru a fi stabilă. Nu îndreptați niciodată piesa de prelucrat către discul polizorului cu mâna.

Piulița cu flanșă trebuie să fie bine strânsă înainte de a pune mașina în funcțiune. Dacă scula nu este bine strânsă cu piulița cu flanșă, este posibil ca la frânarea scula să-și piardă forța de fixare necesară.

PROTECȚIE ÎMPOTRIVA SUPRASOLICITĂRII ȘI RECOLULUI

Mașina este dotată cu un sistem de protecție la suprasolicitare și cu un sistem anti-recol și se oprește în cazul unei suprasolicitări corespunzătoare. Opiți dispozitivul electric și apoi reporniți dispozitivul electric pentru a continua lucrul.

MOALE DE PORNIRE

Pornirea electronică lină pentru economie previne funcționarea sacadata a mașinii.

SISTEM DE FRÂNARE

Frâna de funcționare se cuplează atunci când declanșatorul este eliberat, cauzând oprirea dispozitivului în câteva secunde.

Înainte de a-l pune jos în poziție culcată, asigurați-vă că dispozitivul inserat s-a oprit complet.

Comparativ cu dispozitivele fără frână de funcționare, timpul de funcționare va fi redus puternic la frânare.

CURĂȚARE

Fantele de aerisire ale mașinii trebuie să fie menținute libere tot timpul

ÎNȚREȚINERE

Utilizați numai accesorii și piese de schimb Milwaukee. Dacă unele din componente care nu au fost descrise trebuie înlocuite, vă rugăm contactați unul din agenții de service Milwaukee (vezi lista noastră pentru service / garanți

Dacă este necesară, se poate comanda o imagine descompusă a sculei. Vă rugăm menționați numărul art. Precum și tipul mașinii tipărit pe etichetă și comandați desenul la agenții de service locali sau direct la Techtronic Industries GmbH, Max-Eyth-Straße 10, 71364 Winnenden, Germany.

SIMBOLURI



Vă rugăm citiți cu atenție instrucțiunile înainte de pornirea mașinii



PERICOL! AVERTIZARE! ATENȚIE!



Îndepărtați acumulatorul înainte de începerea lucrului pe mașina



Nu utilizați dispozitivul de protecție pentru operații de debitare.



A nu se aplica forța.



Aplicați forța.



Purtați întotdeauna ochelari de protecție când utilizați mașina.



Purtați aparatoare de urechi.



Purtați o mască de protecție corespunzătoare împotriva prafului.



Purtați mănuși de protecție!



Operați întotdeauna cu două mâini.



Doar pentru lucrări de șlefuit.

	Doar pentru lucrări de tăiere.
	Aveți grijă la grosimea permisibilă a discului.
	Accesorii - Nu este inclus în echipamentul standard, disponibil ca accesoriu
	Direcția de rotație
	Deșeurile de baterii, deșeurile de echipamente electrice și electronice nu se elimină ca deșeuri municipale nesortate. Deșeurile de baterii și deșeurile de echipamente electrice și electronice trebuie colectate separat. Deșeurile de baterii, deșeurile de acumulatori și materialele de iluminat trebuie îndepărtate din echipament. Informați-vă de la autoritățile locale sau de la comercianții acreditați în legătură cu centrele de reciclare și de colectare. În conformitate cu reglementările locale retailerii pot fi obligați să colecteze gratuit bateriile uzate și deșeurile de echipamente electrice și electronice. Contribuția dumneavoastră la reutilizarea și reciclarea deșeurilor de baterii și a deșeurilor de echipamente electrice și electronice contribuie la reducerea cererii de materii prime. Deșeurile de baterii și deșeurile de echipamente electrice și electronice conțin materiale reciclabile valoroase, care pot avea un impact negativ asupra mediului și sănătății umane, în cazul în care nu sunt eliminate în mod ecologic. În cazul în care pe echipamente au fost înregistrate date cu caracter personal, acestea trebuie șterse înainte de eliminarea echipamentelor ca deșeuri.
n	Turație nominală
v	Tensiune
	Curent continuu
	Marcă de conformitate europeană
	Marcă de conformitate britanică
	Marcă de conformitate ucraineană
	Marcă de conformitate eurasiatică

СИМБОЛИ

	Ве молиме пред да ја стартувате машината обрнете внимание на упатствата за употреба.
	ВНИМАНИЕ! ПРЕДУПРЕДУВАЊЕ! ОПАСНОСТ!
	Извадете го батерискиот склоп пред отпочнување на каков и да е зафат врз машината.
	Штитникот немојте да го користите за отсекување.
	Не употребувајте сила.
	Примени сила.
	Секогаш при користење на машината носете ракавици.
	Носете штитник за уши.
	Не ја вдишувајте. Носете соодветна заштитна маска.
	Носете ракавици!
	Секогаш работете со обете раце.
	Само за работи на брусење.

	Само за работи на сечење.
	Внимавајте на дозволената дебелина на дискот.
	Дополнителна опрема - Не е вклучена во стандардната, а достапна е како додаток.
	Насока на вртење
	Не отстранувајте ги отпадните батерии, отпадната електрична и електронска опрема како несортиран комунален отпад. Отпадните батерии и отпадната електрична и електронска опрема мора да се собираат посебно. Отпадните батерии, отпадните акумулатори и отпадните извори на светлина треба да се отстранат од опремата. Проверете кај вашиот локален орган или продавач за совети за рециклирање и место за собирање. Во зависност од локалните регулативи, трговците на мало може да се обврзани бесплатно да ги преземаат искористените батерии, како и отпадната електрична и електронска опрема. Вашиот придонес за повторна употреба и рециклирање на отпадните батерии и отпадната електрична и електронска опрема помага да се намали побарувачката на сировини. Отпадните батерии, посебно оние што содржат литиум, и отпадната електрична и електронска опрема содржат вредни материјали за рециклирање, кои може негативно да влијаат на животната средина и на здравјето на луѓето доколку не се отстранат на еколошки компатибилен начин. Избришете ги личните податоци од отпадната опрема, доколку ги има.
n	Номинална брзина
v	Напон
	Истосмерна струја
	Европска ознака за сообразност
	Британска ознака за сообразност
	Украинска ознака за сообразност
	Евроазиска ознака за сообразност

ТЕХНИЧНИ ХАРАКТЕРИСТИКИ	M18 BLSAG125X	M18 BLSAG115XPD	M18 BLSAG125XPD
Тип конструкції	Акумулаторна кутова шліфувална машина	Акумулаторна кутова шліфувална машина	Акумулаторна кутова шліфувална машина
Номер виробу	4972 15 01 XXXXXX MJJJJ	4972 25 01 XXXXXX MJJJJ	4972 35 01 XXXXXX MJJJJ
Напруга знімної акумулаторної батареї	18 V	18 V	18 V
Номинална кількість обертів	11000 min ⁻¹	11000 min ⁻¹	11000 min ⁻¹
Різьба шпинделя	M14	M14	M14
D=Ø шліфувального диску макс.	125 mm	115 mm	125 mm
d=Ø отвору	22,2 mm	22,2 mm	22,2 mm
	b=Товщина шліфувального диску макс.	6 mm	6 mm
	b=Товщина відрізного диску макс. / мин.	3 mm / 1 mm	3 mm / 1 mm
	D=Діаметр шліфувального диска макс.	125 mm	115 mm
	D=Ø чашкової щітки макс.	75 mm	75 mm

Вага згідно з процедурою EPTA 01/2014 (Li-Ion 2,0 Ah ... 12,0 Ah)	2,2 ... 3,3 kg	2,2 ... 3,3 kg	2,2 ... 3,3 kg
Температура навколишнього середовища, рекомендована для експлуатациі	-18 ... +50 °C	-18 ... +50 °C	-18 ... +50 °C
Рекомендовані акумулатори	M18B...; M18HB...	M18B...; M18HB...	M18B...; M18HB...
Рекомендовані зарядні пристрої	M12-18...; M1418C6	M12-18...; M1418C6	M12-18...; M1418C6
Інформація про шум: Виміряні значення визначені згідно з EN 62841.			
Рівень шуму "A" приладу становить в типовому випадку:			
Рівень звукового тиску / похибка K =	92,51 dB (A) / 3 dB (A)	92,51 dB (A) / 3 dB (A)	92,51 dB (A) / 3 dB (A)
Рівень звукової потужності / похибка K =	100,51 dB (A) / 3 dB (A)	100,51 dB (A) / 3 dB (A)	100,51 dB (A) / 3 dB (A)
Використовувати засоби захисту органів слуху!			
Інформація щодо вібрації: Сумарні значення вібрації (векторна сума трьох напрямків), встановлені згідно з EN 62841.			
Значення вібрації a _n / похибка K =			
Шліфування поверхні	6,30 m/s ² / 1,5 m/s ²	7,10 m/s ² / 1,5 m/s ²	7,10 m/s ² / 1,5 m/s ²
Шліфування диском з абразивної шкірки	1,97 m/s ² / 1,5 m/s ²	1,82 m/s ² / 1,5 m/s ²	1,82 m/s ² / 1,5 m/s ²
Для інших робіт, наприклад, відрізного шліфування або шліфування щіткою із сталевого дроту, можуть мати місце інші значення вібрації!			

⚠ ПОПЕРЕДЖЕННЯ!

Заявлені значення шумового випромінювання, вказані в цьому інформаційному аркуші, було виміряно відповідно до стандартизованого випробування згідно з EN 62841 та можуть використовуватися для порівняння одного інструмента з іншим. Вони також можуть використовуватися для попередньої оцінки рівня впливу на організм.

Вказані значення вібрації та шумового випромінювання дійсні для основних областей застосування інструмента. Якщо інструмент використовується в інших областях застосування чи з іншим приладдям або не проходить належне обслуговування, значення вібрації та шумового випромінювання можуть відрізнятись. Це може суттєво збільшити рівень впливу на організм протягом загального періоду роботи.

Під час оцінки рівня впливу вібрації та шумового випромінювання на організм також необхідно враховувати періоди, коли інструмент вимкнено, чи коли він працює, але фактично не використовується для виконання роботи. Це може суттєво знизити рівень впливу на організм протягом загального періоду роботи.

Визначте додаткові заходи для захисту оператора від впливу вібрації та/або шуму, наприклад, обслуговування інструмента та його приладдя, зберігання рук у теплі, організація графіків роботи.

⚠ ПОПЕРЕДЖЕННЯ! Прочитайте всі вказівки з техніки безпеки та інструкції. Упущення при дотриманні вказівок з техніки безпеки та інструкцій можуть призвести до ураження електричним струмом, пожежі та/або тяжких травм.

Зберігайте всі вказівки з техніки безпеки та інструкції на майбутнє.

ВКАЗІВКИ З ТЕХНІКИ БЕЗПЕКИ ДЛЯ КУТОВИХ ШЛІФУВАЛЬНИХ МАШИН

Загальні вказівки з техніки безпеки для шліфування, шліфування з наждачним папером, робіт з дротяними щітками та відрізного шліфування:

а) Цей електроінструмент використовується як шліфувальна машина, шліфувальна машина з наждачним папером, дротяна щітка та відрізна шліфувальна машина. Звертайте увагу на всі вказівки з техніки безпеки, вказівки, зображення та дані, які ви отримуєте

ВИКОРИСТАННЯ ЗА ПРИЗНАЧЕННЯМ

Кутова шліфувальна машина призначена для шліфування та розрізання металу, каменю, бетону та кераміки, а також для обробки шліфувальним папером і металевою щіткою.

Для розрізання використовуйте кришку для розрізання з асортименту додаткового приладдя.

Дотримуйтесь вказівок виробника комплектуючих.

Електроінструмент призначений лише для сухої обробки.

Встановлюйте на кутову шліфувальну машину лише відповідні шліфувальні або різальні диски та супутні захисні пристрої (захисний кожух для шліфування чи розрізання) відповідно до вказівок у розділі зі специфікацією продукту в цьому посібнику. Кутова шліфувальна машина призначена для ручного використання та не призначена для установки на робочому столі або на кріпильних пристроях.

Не використовуйте цей продукт для будь-якої іншої мети; використовуйте його лише згідно зі вказаним цільовим призначенням.

ЗАЛИШКОВІ НЕБЕЗПЕКИ

Навіть при належному використанні не можна виключити всі залишкові ризики. При використанні можуть виникнути такі небезпеки, на які користувач повинен звернути особливу увагу:

- Травми внаслідок вібрації. Тримайте прилад за передбачені для цього руків'я і обмежуйте час роботи та експозиції.
- Шумовий вплив може погіршити слух. Носіть захисні навушники і обмежуйте тривалість експозиції.
- Травми очей, викликані частинками забруднень. Завжди надягайте захисні окуляри, щільні довгі штани, рукавиці і міцне взуття.
- Вдихання отруйного пилу.

ВКАЗІВКИ ЩОДО ЛІТІЙ-ІОННИХ АКУМУЛЯТОРІВ

Застосування літій-іонних акумуляторів

Знімну акумуляторну батарею, що не використовувалася тривалий час, перед використанням необхідно підзарядити.

Температура понад 50 °C зменшує потужність знімної акумуляторної батареї. Уникайте тривалого нагрівання сонячними променями або системою обігріву.

З'єднувальні контакти зарядного пристрою та знімної акумуляторної батареї повинні бути чистими.

Для забезпечення оптимального строку експлуатації акумуляторні батареї після використання необхідно повністю зарядити.

Для забезпечення максимального можливого терміну експлуатації акумуляторні батареї після зарядки необхідно виймати з зарядного пристрою.

При зберіганні акумуляторної батареї понад 30 днів: Зберігайте акумулятор у місці, де температура не перевищує 27 °C і куди не потрапляє волога..

Зберігати акумуляторну батарею в стані зарядки приблизно 30-50 %..

Кожні 6 місяців заново заряджати акумуляторну батарею.

Захист від перевантаження літій-іонних акумуляторів

У випадку перевантаження акумуляторної батареї внаслідок дуже високого споживання струму, наприклад, надмірно високого крутильного моменту, раптової зупинки або короткого замикання, електроінструмент вібрує 5 секунд, індикатор заряду блимає, електроінструмент самостійно вимикається.

Для повторного увімкнення відпустити кнопку вимикача і знов увімкнути. При надмірних навантаженнях акумуляторна батарея сильно перегрівається. В цьому випадку всі лампочки індикатора заряду блимають, доки акумуляторна батарея не охолоне. Можна продовжити роботу після того, як індикатор заряду загасне.

Транспортування літій-іонних акумуляторних батарей

Літій-іонні акумуляторні батареї підпадають під законоположення про перевезення небезпечних вантажів.

Транспортування таких акумуляторних батарей повинно відбуватися із дотриманням місцевих, національних та міжнародних приписів та положень.

споживачі можуть без проблем транспортувати ці акумуляторні батареї по вулиці.

Комерційне транспортування літій-іонних акумуляторних батарей експедиторськими компаніями підпадає під положення про транспортування небезпечних вантажів. Підготовку до відправлення та транспортування можуть здійснювати виключно особи, які пройшли відповідне навчання. Весь процес повинні контролювати кваліфіковані фахівці.

При транспортуванні акумуляторних батарей необхідно дотримуватись зазначених далі пунктів:

Переконайтеся в тому, що контакти захищені та ізовані, щоб запобігти короткому замиканню.

Слідкуйте за тим, щоб акумуляторна батарея не переміщувалася всередині упаковки. Пошкоджені акумуляторні батареї, або акумуляторні батареї, що потекли, не можна транспортувати. Для отримання подальших вказівок звертайтеся до своєї експедиторської компанії.

ВКАЗІВКИ ЩОДО ЕКСПЛУАТАЦІЇ

При використанні шліфувальних інструментів з нарізною вставкою переконайтеся в тому, що різьба достатньо довга для довжини шпинделя.

Завжди використовувати та зберігати відрізи та шліфувальні диски відповідно до вказівок виробника.

При обдиранні та різанні завжди працювати з захисним кожухом.

Вигнуті шліфувальні диски монтувати так, щоб шліфувальна поверхня закінчувалася не менш ніж на 2 мм під рівнем краю захисного кожуха.

Фланцева гайка має бути затягнена перед введенням приладу в дію.

Завжди користуйтеся додатковою рукояткою.

Оброблювану заготовку необхідно міцно закріпити, якщо вона не тримається завдяки власній вазі. Ніколи не вести заготовку рукою до диска.

Перед введенням приладу в дію фланцева гайка має бути добре затягненою. Якщо вставний інструмент не затягнений міцно фланцевою гайкою, існує вірогідність того, що вставний інструмент при гальмуванні втратить необхідну силу натягу.

ЗАХИСТ ВІД ПЕРЕВАНТАЖЕННЯ ТА ЗВОРОТНОГО УДАРУ

Прилад оснащений функцією захисту при перевантаженні та функцією проти віддачі при відповідному надмірному навантаженні. Вимкніть електропривідний інструмент, а потім увімкніть його знову для продовження роботи.

ПЛАВНИЙ ПУСК

Електронний плавний пуск для безпечної роботи запобігає при увімкненні різкому розгону машини.

ГАЛЬМІВНА СИСТЕМА

Робоче гальмо вмикається, коли відпускається кнопка запуску, завдяки чому інструмент зупиняється за кілька секунд.

Перед демонтажем переконайтеся в тому, що вставний інструмент повністю зупинився.

У порівнянні з інструментами без робочого гальма тривалість залишкового руху суттєво скорочується.

ЧИСТКА

Завжди підтримувати чистоту вентиляційних отворів.









ОБСЛУГОВУВАННЯ

Використовувати тільки комплектуючі та запчастини Milwaukee. Деталі, заміна яких не описується, замінювати тільки в відділі обслуговування клієнтів Milwaukee (зверніть увагу на брошуру "Гарантія / адреси сервісних центрів").

У разі необхідності можна запросити креслення з зображенням вузлів машини в перспективному вигляді, для цього потрібно звернутися в ваш відділ обслуговування клієнтів або безпосередньо в Techtronic Industries GmbH, Max-Eyth-Straße 10, 71364 Winnenden, Німеччина, та вказати тип машини та шестизначний номер на фірмовій табличці з даними машини.

СИМВОЛИ

	Уважно прочитайте інструкцію з експлуатації перед введенням приладу в дію.
	УВАГА! ПОПЕРЕДЖЕННЯ! НЕБЕЗПЕЧНО!
	Перед будь-якими роботами на приладі вийняти змінну акумуляторну батарею.
	Не використовуйте захисний щиток для операцій відрізання.
	Не застосовувати силу.
	Застосувати силу.
	Під час роботи з машиною завжди носити захисні окуляри.
	Користуйтеся засобами захисту органів слуху.
	Носити відповідну маску для захисту від пилу.
	Носити захисні рукавиці!
	Завжди працюйте двома руками.
	Тільки для робіт зі шліфування.
	Тільки для робіт з відрізання.
	Звертайте увагу на допустиму товщину диска.

	Комплектуючі - не входять в обсяг постачання, рекомендовані доповнення з програми комплектуючих.
	Напрямок обертання
	Не утилізуйте відпрацьовані батареї й відпрацьоване електричне та електронне обладнання разом з змішаними побутовими відходами. Відпрацьовані батареї, відпрацьоване електричне та електронне обладнання необхідно збирати окремо. Відпрацьовані батареї, відпрацьовані акумулятори, відпрацьовані джерела світла повинні бути вилучені з обладнання. Зверніться до місцевих органів влади або роздрібного продавця за порадою щодо утилізації та пункту збору. Відповідно до місцевих постанов, роздрібні продавці можуть бути зобов'язані безкоштовно забирати назад відпрацьовані акумулятори, електричне та електронне обладнання. Ваш внесок до повторного вживання та переробки відпрацьованих батарейок і відпрацьованого електричного та електронного обладнання допомагає зменшити попит на сировину. Відпрацьовані батареї, зокрема, що містять літій, і відпрацьоване електричне та електронне обладнання містять цінні матеріали, які можуть бути перероблені, та мають негативний вплив на довкілля й здоров'я людей, якщо не будуть утилізовані у безпечний для довкілля спосіб. Видаліть особисті дані з відпрацьованого обладнання, якщо такі є.
n	Номинальна кількість обертів
v	Напруга
	Постійний струм
	Європейський знак відповідності
	Британський знак відповідності
	Український знак відповідності
	Євразійський знак відповідності

تحذيراً خطر حروق! يصبح القرص وقطعة التصنيع ساخنين خلال الاستخدام، لذلك يجب عليك ارتداء القفازات عند تغيير الأقراص أو لمس قطعة التصنيع. واحرص على إبعاد يديك من منطقة الطحن في كل الأوقات.

تحذيراً! تجنب أخطار الحريق أو الإصابة أو الإضرار بالمنتج التي تنجم عن الماس الكهربائي، لا تفعل الأداة أو البطارية القابلة للاستبدال أو جهاز الشحن في السوائل واحرص على أن لا تصل السوائل إلى داخل الجهاز والبطارية. السوائل الموصلة للتآكل أو الموصلة للتيار الكهربائي، مثل الماء المالح ومركبات كيميائية معينة ومواد التبييض أو المنتجات التي تشتمل على مواد تبيض، يمكن أن تؤدي إلى حدوث ماس كهربائي.

لا تلم أبداً بفتح قفل البطارية والشواحن ولا تخزينهم إلا في غرف جافة. وحافظ عليها جاف طوال الوقت.

استخدم فقط شواحن System M18 لشحن بطاريات System M18. لا تستخدم بطاريات من أنظمة أخرى.

شروط الاستخدام الموصلة

صُممت مطحنة الزاوية للاستخدام في طحن وقطع المعادن والأحجار والخرسانة والمواد الخزفية وكذلك التنظيف بالزرمول وتنظيف الأسلاك بالفرشاة.

لغرض القطع، استخدم غطاء القطع من مجموعة الملحقات.

اتبع دائما تعليمات الشركة المصنعة إذا لم تكن متأكدًا بشأن ما يتعين عليك القيام به مع الماكينة. الآلة مخصصة فقط للاستخدام الجاف

يجب فقط تثبيت أقراص الطحن أو القطع المناسبة والواقبات ذات الصلة (واقى الطحن أو القطع) على النحو الموضح في قسم مواصفات المنتج بهذا الدليل في مطحنة الزاوية. فقد صُممت مطحنة الزاوية للاستخدام المحمول باليد ولا ينبغي تعليقها على التجهيزات الثابتة أو طويلة العمل.

لا تستخدم المنتج بأي طريقة غير الموضحة للاستخدام المقصود.

المخاطر المتبقية

أيضاً عند الاستخدام الصحيح لا يمكن استبعاد جميع المخاطر المتبقية. عند الاستعمال قد تنشأ المخاطر التالية التي يجب على المستخدم مراعاتها بشكل خاص.

- الإصابات الناتجة عن الاهزازات. أمسك الجهاز من المقابض المخصصة لذلك وحدد أوقات العمل وخطة العمل.
- يمكن أن تسبب الضوضاء في أضرار سمعية. لذا يرج ارتداء واقى للسمع وقم بتحديد فترة العمل.
- إصابات العين الناتجة عن جزيئات الغدورات. ارتدي دائماً نظارة واقية، وبنظون طويل
- قفازات وحذاء واقى
- استنشاق الأتربة السامة.

إرشادات خاصة ببطاريات أيون الليثيوم القابلة للشحن

استخدام بطاريات أيون الليثيوم القابلة للشحن

يجب إعادة شحن البطارية غير المستخدمة لفترة قبل الاستخدام.

تقلل درجات الحرارة التي تتجاوز 50°سيليزوس (122°فهرنهايت) من أداء البطارية. تجنب التعرض الزائد للحرارة أو أشعة الشمس (خطر التسخين).. يجب الحفاظ على محتويات الشواحن و البطاريات نظيفة. للحصول على فترة استخدام مثالية، يجب شحن البطاريات تماماً، بعد الاستخدام. للحصول على أطول عمر ممكن للبطارية، انزع البطارية من الشاحن بمجرد شحنها تماماً.

لتخزين البطارية أكثر من 30 يوم:

خزن حزمة البطارية في مكان تقل درجة حرارته عن 27 درجة مئوية وبعيداً عن الرطوبة. خزن البطارية مشحونة بنسبة تتراوح بين 30 50-%. اشحن البطارية كالمعتاد، وذلك كل ستة أشهر من التخزين.

حماية بطاريات أيون الليثيوم القابلة للشحن من التحميل الزائد

في حالات العزم العالي، أو إعاقة الحركة أو التوقف المفاجئ أو القصور في الدائرة الكهربائية الذي ينتج عنه سحب لثقل كبير من التيار الكهربائي، ستصدر الأداة إنذبات لمدة 5 ثوان، وسيضيء مقياس الوقود ثم تتوقف عن العمل.

إعادة الضبط حرر الزناد. في الظروف القصوى للعمل، قد ترتفع درجة الحرارة الداخلية للبطارية ارتفاعاً شديداً. إذا حدث ذلك، سيضيء مقياس الوقود حتى تنخفض درجة حرارة البطارية. بعد انطفاء الأضواء، يمكنك متابعة العمل.

نقل بطاريات الليثيوم

تخضع بطاريات الليثيوم أيون لشروط قوانين نقل السلع الخطرة.

ويجب نقل هذه البطاريات وفقاً للأحكام والقوانين المحلية والوطنية والوطنية.

يمكن للمستخدم نقل البطاريات برأ دون الخضوع لشروط أخرى.

يخضع النقل التجاري لبطاريات الليثيوم أيون عن طريق الغير إلى قوانين نقل السلع الخطرة. يتعين أن يقوم أفراد مديون جيداً بالإعداد لعملية النقل والقيام بها بصحبة خبراء متعلم. متى تُنقل البطاريات:

عند التأكد من حماية أطراف توصيل البطارية وزعها لتجنباً لحدوث قصر بالذاترة.

عند التأكد من حماية حزمة البطارية من الحركة داخل صندوق التعبئة. يُرجى عدم نقل البطاريات التي بها تشققات أو تسربات. يُرجى البحث مع شركة الشحن عن نصيحة أخرى

نصائح العمل

بالنسبة للملحقات العدة للتثبيت مع قرص ثقب ملولبة، يجب التأكد من أن الأسنان المزودة بالقرص طويلة بما يكفي لقول طول محور الدوران.

قم باستخدام وحفظ قرص القطع والتجليخ دائماً حسب تعليمات الشركة المنتجة.

يجب دائماً ارتداء واقى عند إجراء أعمال التجليخ والقطع

أقراص التجليخ المتحركة يجب تركيبها بحيث يكون سطح التجليخ الخاص بها لا يعلو مستوى حافة حاجب الحماية.

يجب إحكام ربط صامولة الضبط قبل بدء تشغيل الماكينة.

استخدم دائماً المقيض الإضافي.

قطعة التصنيع التي يجب معالجتها يجب أن تكون مثبتة، طالما أنها لن تكون ثابتة من خلال وزنها. لا تمسك قطعة التصنيع باليد لمعالجتها بالقرص.

يجب تشديد ربط صمولة الحافة قبل استخدام الماكينة. إذا لم يتم تشديد صمولة الحافة في الآلة، فينالك إمكانية أن تنفد قوة الشد الضرورية عند الإيقاف.

الحماية من الحمولة الزائدة والإرتداد

الجهاز يتوافر به خاصية حماية ضد الشحن الزائد والصدمات الارتدادية ويتوقف عن العمل طبعاً لذلك عند التحميل الزائد. أوقف تشغيل الأداة الكهربائية ثم أعد تشغيلها مرة أخرى لاستكمال العمل.

تشغيل هادئ

يمنع التشغيل الإلكتروني السلس الخاص بالاستخدام الآمن الزيادة الاعشائية للآلة.

نظام المكابح

تعمل المكابح عند إطلاق زر الانطلاق، مما يتسبب في إيقاف القطعة الملحقة في غضون ثوان.

وتأكد من أن القطعة الملحقة توقفت تماماً قبل طرحها.

وبالمقارنة مع الآلات التي لا تتمتع بمكبح، فإن وقت التشغيل ينخفض بشكل ملحوظ بفضل الكبح.

التنظيف

يجب أن تكون فتحات تهوية الجهاز نظيفة طوال الوقت.

الصيانة

استخدم فقط ملحقات ميلوكي وكذلك قطع غيار ميلوكي. إذا كانت المكونات التي يجب تغييرها غير مذكورة، يرجى الاتصال بأحد عملاء صيانة ميلوكي (انظر قائمة عناوين الضمان/الصيانة الخاصة بنا).

عند الحاجة يمكن طلب رمز انفجار الجهاز بعد ذكر طراز الآلة والرقم السداسي المذكور على بطاقة طاقة الآلة لدى جهة خدمة العملاء أو مباشرة لدى شركة
Techtronic Industries GmbH, Max-Eyth-Straße 10, 71364 Winnenden, ألمانيا

الرموز

	يرجى قراءة التعليمات بعناية قبل بدء تشغيل الجهاز.
	تنبيه! تحذير! خطر!
	انزع البطارية قبل التعامل مع الجهاز.
	لا تستخدم الواقبة لإجراء عمليات القطع.
	لا تستخدم القوة
	استخدم القوة.
	ارتد دائماً نظارات الوقاية عند استخدام الجهاز.

	ارتد واقبات الأذن.
	لا تستنشق هذه الأتربة. ارتد قناعاً واقياً من الأتربة مناسباً.
	ارتد القفازات!
	احرص دائماً على التشغيل بكتلتا يديك.
	مخصصة لأعمال التجليخ فقط
	مخصصة لأعمال القطع فقط
	انتبه إلى سُمك القرص المسموح به.
	الملحق - ليس مدرجاً كعمدة قياسية، متوفر كملحق.
	اتجاه دوران
	يحظر التخلص من البطاريات القديمة والأجهزة الكهربائية والإلكترونية القديمة سوياً مع القمامة المنزلية. يجب جمع البطاريات القديمة والأجهزة الكهربائية والإلكترونية القديمة والتخلص منها بشكل منفصل. أنزع البطاريات القديمة والمراكم القديمة والمصابيح من الأجهزة قبل التخلص منها. الرجاء الاستفسار لدى الجهات الرسمية في المكان أو لدى التجار المتخصصين عن مواقع إعادة الاستغلال ومواقع الجمع. وفقاً للوائح المحلية، قد يتطلب من تجار التجزئة استعادة البطاريات القديمة والأجهزة الكهربائية والإلكترونية القديمة مجاناً. ساهم في الحد من الحاجة إلى المواد الخام عن طريق إعادة استخدام البطاريات القديمة والأجهزة الكهربائية والإلكترونية القديمة الخاصة بك وإعادة تدويرها. تحتوي البطاريات القديمة (و على الأخص بطاريات أيون الليثيوم) والأجهزة الكهربائية والإلكترونية القديمة على مواد قيمة وقابلة لإعادة التدوير يمكن أن يكون لها آثار سلبية على البيئة وصحتك في حالة عدم التخلص منها على يمتثال مع البيئة. قبل التخلص قم بمحو البيانات الشخصية التي قد تكون على جهازك القديم.
n	الحد الأقصى للسرعة المقدره
v	الجهد الكهربى
	التيار المستمر
CE	علامة التوافق الأوروبية
UK CA	علامة التوافق البريطانية
	علامة التوافق الأوكرانية
001	
EAC	علامة التوافق الأروبية الآسيوية

EC-DECLARATION OF CONFORMITY

We declare as the manufacturer under our sole responsibility that the product described under "Technical Data" fulfills all the listed below relevant regulations and the directives and harmonized standards have been used.

CE-KONFORMITÄTSESKLÄRUNG

Wir erklären als Hersteller in alleiniger Verantwortung, dass das unter „Technische Daten“ beschriebene Produkt mit allen relevanten Vorschriften der nachgeführten aufgeführten Richtlinie und harmonisierten normativen Dokumenten übereinstimmt.

DÉCLARATION CE DE CONFORMITÉ

Nous déclarons en tant que fabricant et sous notre seule responsabilité, que le produit décrit dans « Données techniques » est conforme à toutes les dispositions pertinentes des directives et documents normatifs harmonisés mentionnés ci-après.

DICHARAZIONE DI CONFORMITÀ CE

In qualità di produttore dichiariamo sotto la nostra esclusiva responsabilità che il prodotto descritto nei "Dati tecnici" è conforme a tutte le disposizioni pertinenti delle direttive e dei documenti normativi armonizzati di seguito indicati.

DECLARACION DE CONFORMIDAD CE

Declaramos como fabricante y bajo nuestra responsabilidad que el producto descrito bajo "Datos técnicos" está en conformidad con las normas relevantes de las directivas, normas o documentos normalizados detallados a continuación.

DECLARAÇÃO DE CONFORMIDADE CE

Como fabricante, declaramos sob responsabilidade exclusiva, que o produto descrito sob "Dados Técnicos" corresponde com todas as disposições relevantes das diretivas abaixo e dos documentos normativos harmonizados.

EC - VERKLARING VAN OVEREENSTEMMING

Wij als fabrikant verklaren in uitsluitende verantwoording dat het onder "Technische gegevens" beschreven product overeenstemt met alle relevante voorschriften van de onderstaand vermelde richtlijnen en geharmoniseerde normatieve documenten.

CE-KONFORMITÄTSESKLÄRUNG

Vi erklærer som producent og eneansvarlig, at produktet, der er beskrevet under "Tekniske data", er i overensstemmelse med alle relevante bestemmelser i henhold til nedenstående direktiver og harmoniserede normative dokumenter.

CE-SAMSVARERKLÆRING

Vi erklærer under eget ansvar at produktet som beskrives under « Tekniske data » samsvarer med alle relevante forskrifter i direktivene og de harmoniserede normative dokumentene som står oppført nedenfor.

CE-FÖRSÄKRAN

Vi som tillverkare intygar och ansvarar för att den produkt som beskrivs under "Tekniska data" överensstämmer med alla relevanta bestämmelser i de nedan angivna direktiven och harmoniserade nummerade dokument.

TODISTUS CE-STANDARDINMUKAISUUDESTA

Vakuutamme valmistajan ominaisuudessa yksinvastuullisesti, että kohdassa "Tekniset tiedot" kuvattu tuote vastaa seuraavassa luetteltujen direktiivien kaikkia sitä koskevia määräyksiä ja harmonisoituvia standardisovivia asiakirjoja.

ΑΝΩΣΗ ΠΙΣΤΟΤΗΤΑΣ ΕΚ

Ως κατασκευαστής δηλώνουμε υπεύθυνα ότι το προϊόν που περιγράφεται στο κεφάλαιο «Τεχνικά Χαρακτηριστικά» είναι συμβατό με όλες τις σχετικές διατάξεις των Κοινοτικών Οδηγιών και εναρμονισμένων κανονιστικών εγγράφων που αναφέρονται παρακάτω.

CE UYGUNLUK BEYANI

Üretici sıfatıyla tek sorumlulu olarak "Teknik Veriler" bölümünde tarif edilen ürünüň aşağıdaki direktifler ve harmonize temel belgelerin bütün önemli hükümlerine uygun olduğunu beyan etmekteyiz.

CE-PROHLÁŠENÍ O SHODĚ

My jako výrobce výhradně na vlastní zodpovědnost prohlašujeme, že se výrobek popsany v "Technických údajích" shoduje se všemi relevantními předpisy níže uvedených směrnic a harmonizovanými normativními dokumenty.

CE - VYHLÁŠENIE KONFORMITY

My ako výrobca výhradne na vlastnú zodpovednosť vyhlasujeme, že výrobok popísaný v "Technických údajoch" sa zhoduje so všetkými relevantnými predpismi následne uvedených smerníc a harmonizujúcimi normatívnymi dokumentmi.

DEKLARACJA ZGODNOŚCI CE

Jako producent oświadczamy na naszą wyłączną odpowiedzialność, że produkt opisany w punkcie „Dane techniczne” jest zgodny ze wszystkimi istotnymi przepisami wymienionych poniżej Dyrektyw oraz z następującymi zharmonizowanymi dokumentami normatywnymi.

CE-AZONOSSÁGI NYILATKOZAT

Gyártótéként egyedűli felelősséggel kijelentjük, hogy a „Műszaki Adatok” alatt leírt termék a következőkben felsorolt irányelvek minden releváns előírásának és a harmonizált normatív dokumentumoknak megfelel.

CE-IZJAVA O KONFORMNOSTI

Kot proizvajalec izjavljamo na svojo izključno odgovornost, da je izdelek, opisan pod „Tehnični podatki”, v skladu z vsemi ustreznimi določbami smernic in usklajenimi normativnimi dokumenti, navedenimi spodaj.

CE-IZJAVA KONFORMNOSTI

My kao proizvođač izjavljujemo na osobnu odgovornost, da je proizvod, opisan pod "Tehnički podaci", sukladan sa svim relevantnim propisima i u nastavku navedenim smjericama i harmoniziranim normativima dokumenata.

ATBILSTĪBA CE NORMĀM

Mēs kā ražotājs un vienīgā atbildīgā persona apliecinām, ka „Tehnikajos datos” raksturtais produkts atbilst visām attiecīgajām turpmāk minēto direktīvu normām un saskaņotajiem normatīvajiem dokumentiem.

CE ATTĪKTIĒS PAREIŠKĪMAS

Kaip gamintojas atsaikng pareiškĳame, kad gaminys, aprašytas skyriuje „Techniniai duomenys”, atitinka visus toliau išvardytų direktivų ir darnĳnių norminių dokumentų taikomus reikalavimus.

EŪ VASTAVUSAVALDUS

Kinnitame tootjana ainuisikuliselt vastutades, et jaotises „Tehnilised andmed” kirjeldatud toode on kooskõlas allpool nimetatud direktiivide asjaomaste eeskirjade ja ühtlustatud normdokumentidega.

ДЕКЛАРАЦІЯ О СООТВЕТСТВИИ СТАНДАРТАМ ЕС

Под собственную ответственность мы как производитель заявляем о том, что описанное в разделе «Технические характеристики» изделие отвечает всем соответствующим требованиям нижеперечисленных директив и гармонизированных нормативных документов.

CE - ДЕКЛАРАЦІЯ ЗА СЪОТВЕТСТВИЕ

В качеството си на производител декларираме на собствена отговорност, че продуктът, описан в „Технически данни”, отговаря на всички съответстващи разпоредби на изброените по-нататък директиви и хармонизирани нормативни документи.

DECLARAȚIE DE CONFORMITATE

În calitate de producător declarăm pe propria răspundere că produsul descris la "Date tehnice" este în concordanță cu toate prevederile legale relevante ale următoarelor directive și norme armonizate.

ЕУ-ДЕКЛАРАЦИЈА ЗА СООБРАЗНОСТ

Како производител, изјавуваме под целосна одговорност дека „Техничките податоци” подолу го опишуваат производот со сите релевантни одредби од наведените регулативи и се усогласени со хармонизираните регулаторни документи.

СЕРТИФИКАТ ВІДПОВІДНОСТІ ВИМОГАМ ЄС

Як виробник, ми заявляємо на власну відповідальність, що виріб, описаний у "Технічних даних", відповідає всім застосовним положенням директив та гармонізованим нормативним документам, наведеним нижче.

إعلان المطابقة - الاتحاد الأوروبي

موجب هذا نقر نحن كشركة منتجة على مسؤوليتنا المفردة، أن المنتج الموصوف تحت "البيانات الفنية" يتطابق مع جميع التعليمات الهامة للمعايير ومستندات التوافق المعياري المذكورة فيما يلي.

2011/65/EU (RoHS)
2014/30/EU
2006/42/EC

EN 62841-1:2015 + AC:2015
EN IEC 62841-2-3:2021 + A11:2021
EN IEC 55014-1:2021
EN IEC 55014-2:2021
EN IEC 63000:2018

Winnenden, 2022-09-29

Alexander Krug
Managing Director



Authorized to compile the technical file
Bevollmächtigt die technischen Unterlagen zusammenzustellen.
Autorisé à compiler la documentation technique.
Autorizzato alla preparazione della documentazione tecnica
Autorizado para la redacción de los documentos técnicos.
Gemachtigd voor samenstelling van de technische documenten
Autoriseret til at udarbejde de tekniske dokumenter.
Autoriseret til at samarbejde den tekniske dokumentasjon
Befullmäktigad att sammanställa teknisk dokumentation.
Valtuutettu kokoamaan tekniset dokumentit.
Εξουσιοδοτημένος να συντάξει τον τεχνικό φάκελο.
Teknik evrakları hazırlamakla görevlendirilmiştir.
Zplnomocněn k sestavování technických podkladů.
Splnomocnený zostaviť technické podklady.
Upeinomocniony do zestawienia danych technicznych
Műszaki dokumentáció összeállításra felhatalmazva
Rooblaščen za izdelavo spisov tehnične dokumentacije.
Ovlašten za formiranje tehničke dokumentacije.
Pilnvarotais tehnikās dokumentācijas sastādītānā.
Įgaliotas parengti techninius dokumentus.
On volitatud koostama tehnilist dokumentatsiooni.
Уполномочен на составление технической документации.
Упълномощен за съставяне на техническата документация
Їмпутерницit sā elaboreze dokumentatĳa tehnĳicā.
Ополноштен за составување на техничката документација.
Уповноважений із складання технічної документації.

معتمدة للمطابقة مع الملف الفني

Techronic Industries GmbH
Max-Eyth-Straße 10
71364 Winnenden
Germany

GB-DECLARATION OF CONFORMITY

We declare as the manufacturer under our sole responsibility that the product described under "Technical Data" fulfills all the listed below relevant regulations and that the following designated standards have been used.

S.I. 2008/1597 (as amended)
S.I. 2016/1091 (as amended)
S.I. 2012/3032 (as amended)

BS EN 62841-1:2015 + AC:2015
BS EN IEC 62841-2-3:2021 + A11:2021
BS EN IEC 55014-1:2021
BS EN IEC 55014-2:2021
BS EN IEC 63000:2018

Winnenden, 2022-09-29

Alexander Krug
Managing Director

Authorized to compile the technical file

Copyright 2022
Techtronic Industries GmbH
Max-Eyth-Straße 10
71364 Winnenden
Germany
+49 (0) 7195-12-0
www.milwaukeeetool.eu

Techtronic Industries (UK) Ltd
Parkway
Marlow, SL7 1YL
UK

(12.22)

4931 4250 49