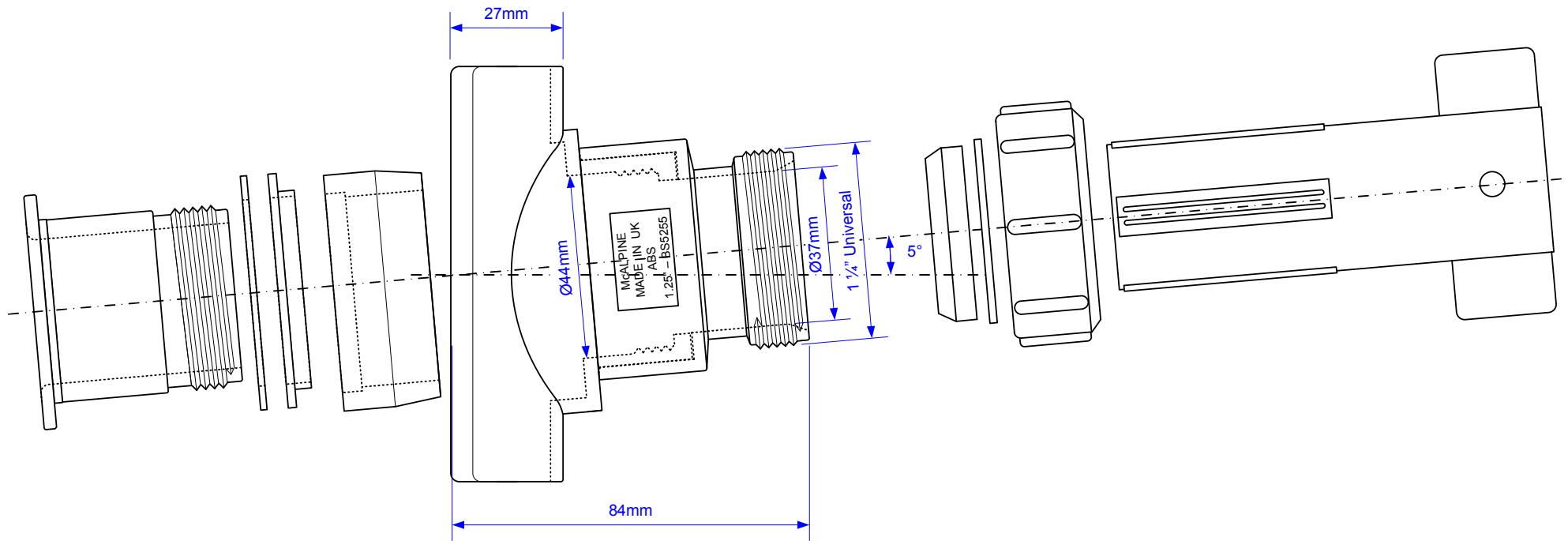


Code:

BOSSCONN110-GR



Drawing verified correct as of:

14/12/2016
RM

DRAWN BY

RM

SCALE

1: 1.35

REVISED

26/10/2011, 14/06/2012, 31/07/2013
07/10/2016, 14/12/2016

FILENAME

BOSSCONN110-GR.VSD

DATE

14/12/2016