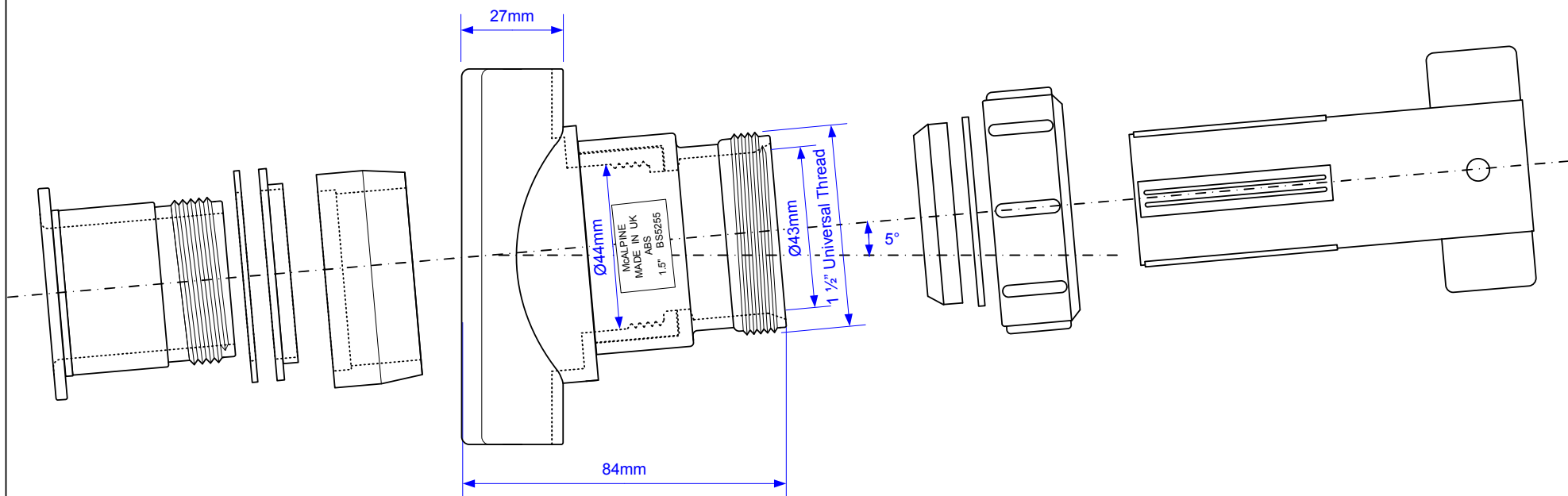


Code:

BOSSCONN110T-GR



Drawing verified correct as of:

06/12/2016
RM

DRAWN BY

RM

REVISED

26/10/2011, 14/06/2012, 31/07/2013, 07/09/2016
06/12/2016

FILENAME

BOSSCONN110T-GR.VSD

DATE

06/12/2016

SCALE

1: 1.5