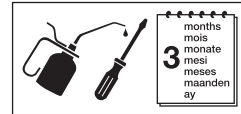
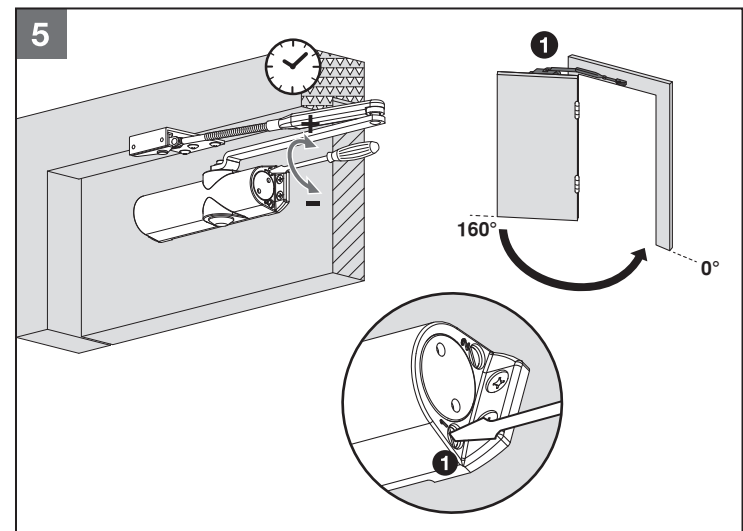
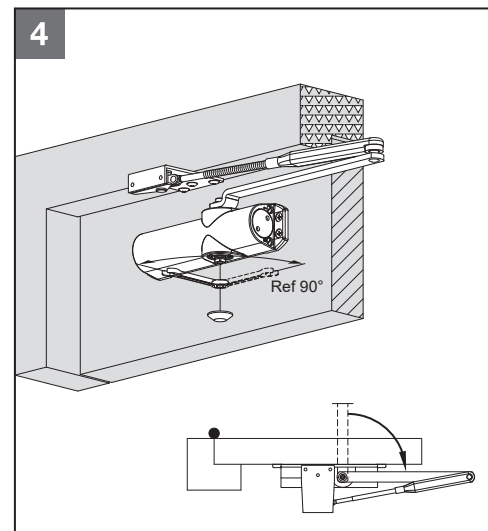
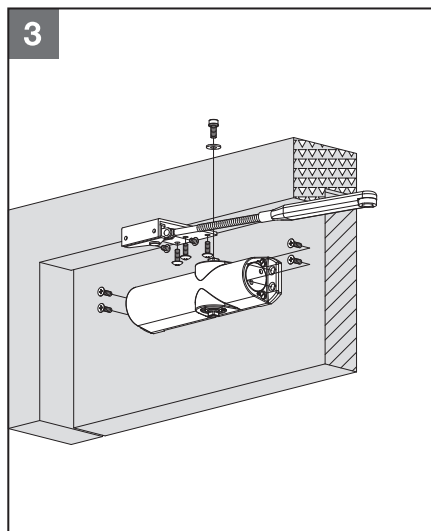
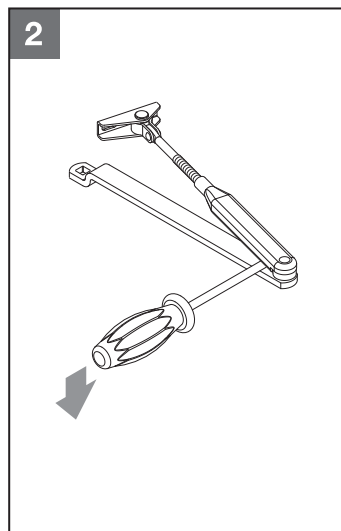
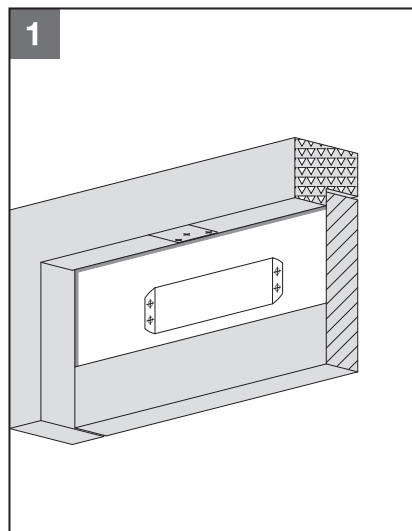
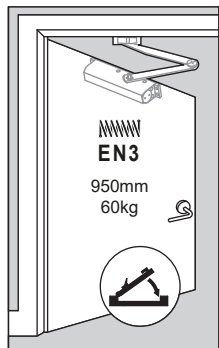
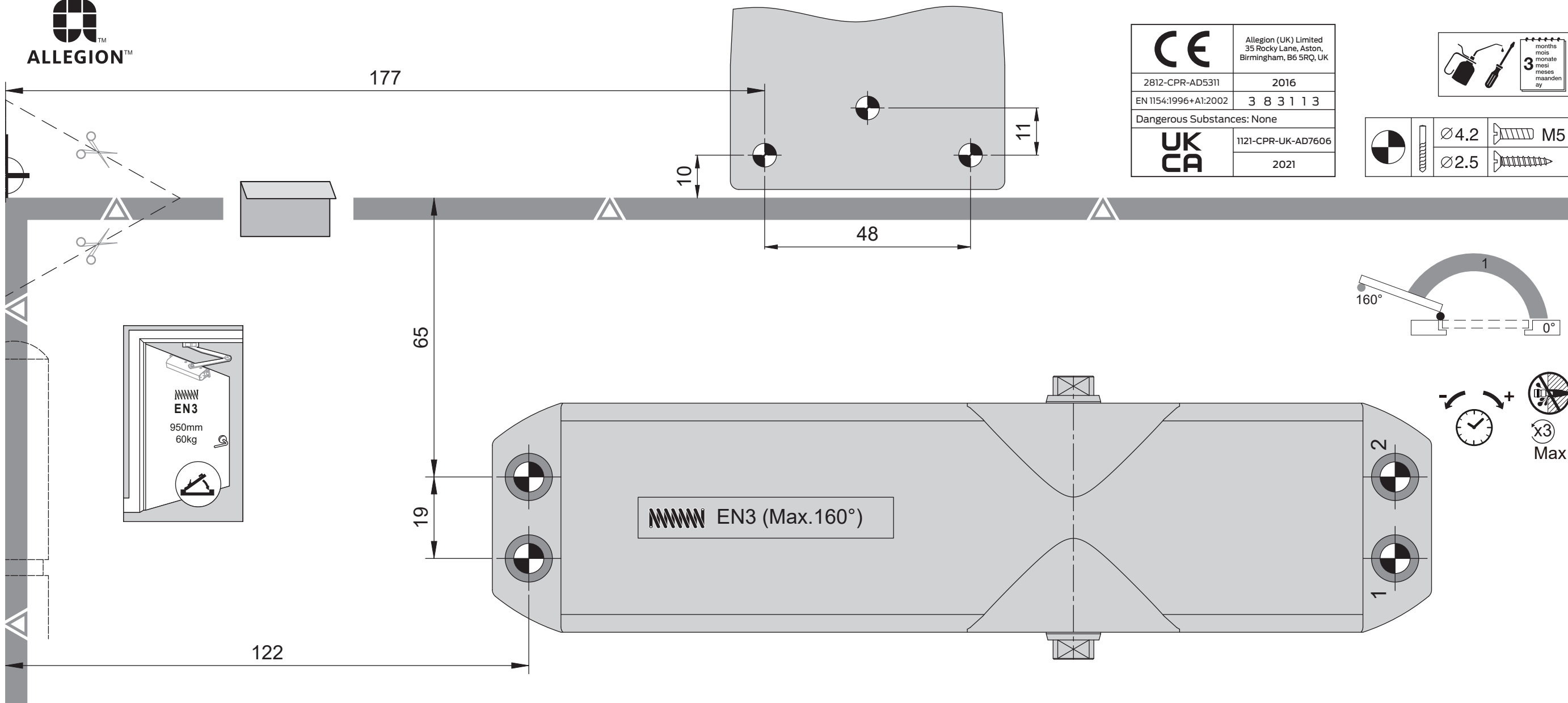


<b>CE</b>	Allegion (UK) Limited 35 Rocky Lane, Aston, Birmingham, B6 5RQ, UK
2812-CPR-AD5311	2016
EN 1154:1996+A1:2002	3 8 3 1 1 3
Dangerous Substances: None	
<b>UK CA</b>	1121-CPR-UK-AD7606
	2021



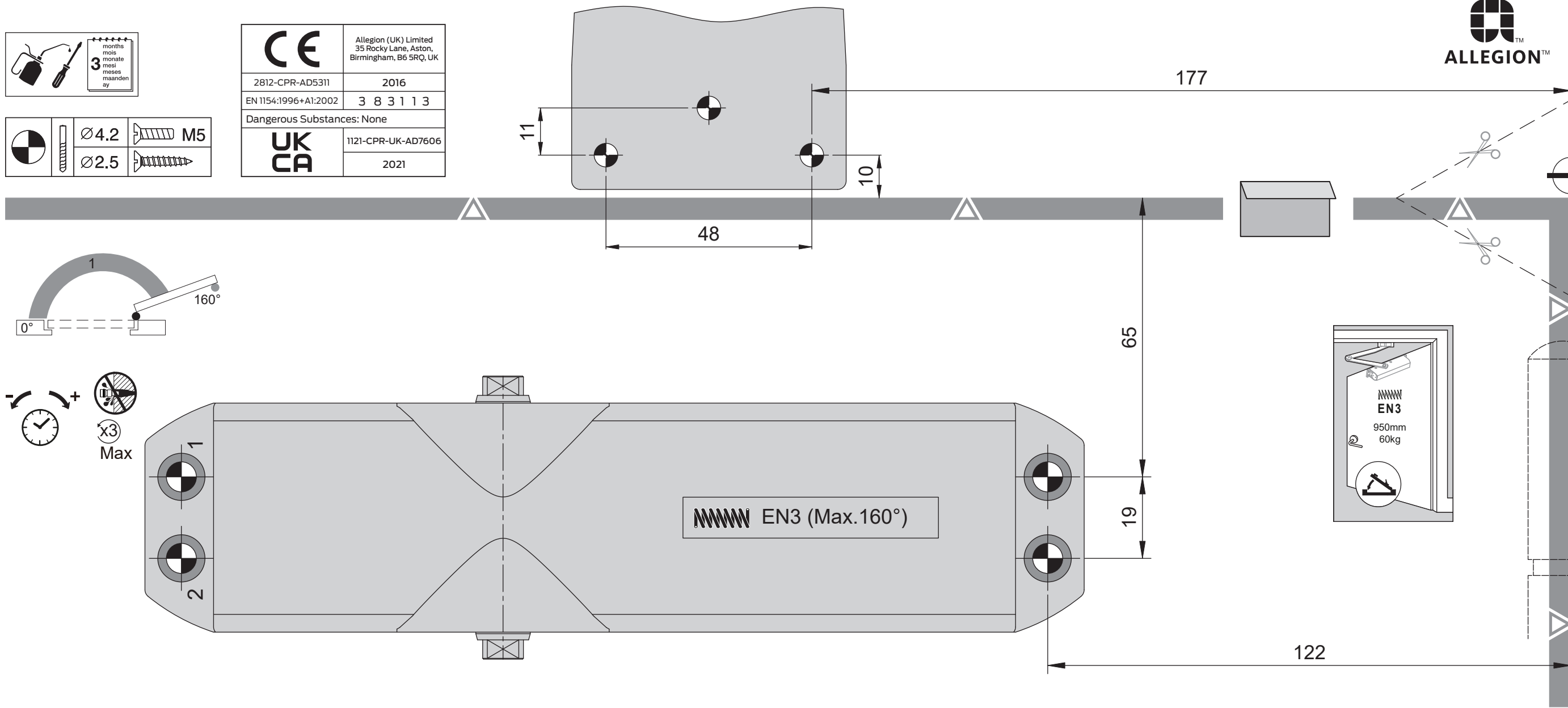
		Ø 4.2		M5
		Ø 2.5		



3 months  
 mois  
 monate  
 mesi  
 meses  
 maanden  
 ay

Ø4.2 M5  
 Ø2.5

<b>CE</b>	Allegion (UK) Limited 35 Rocky Lane, Aston, Birmingham, B6 5RQ, UK
2812-CPR-AD5311	2016
EN 1154:1996+A1:2002	3 8 3 1 1 3
Dangerous Substances: None	
<b>UK CA</b>	1121-CPR-UK-AD7606
	2021



**CE**
  
 certifire  
 CF 5512

