

FLAT TRACK 100

FITTING INSTRUCTIONS

for 2m and 3m kits

Flat track 100

Maximum door weight 100kg

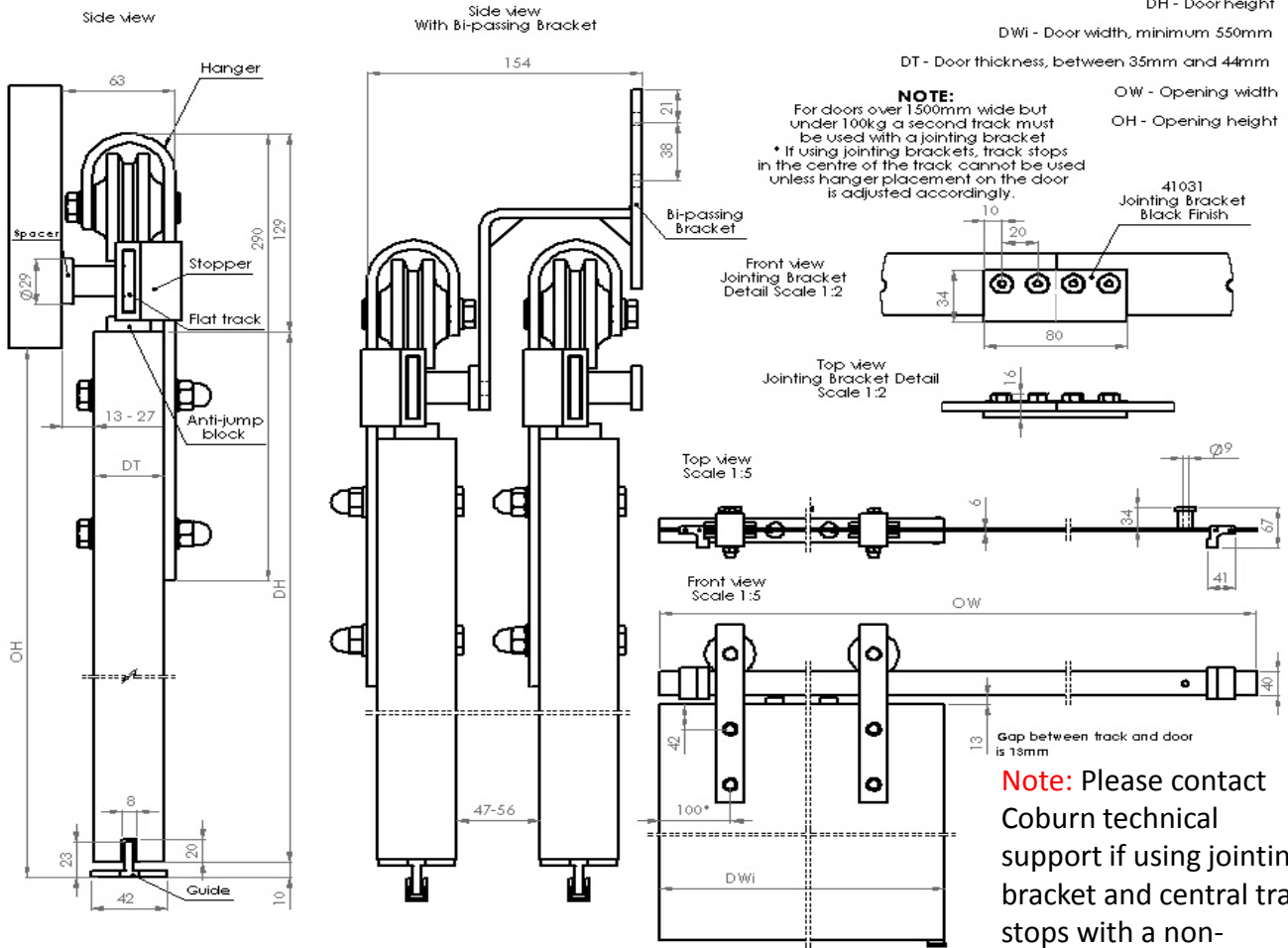
DH - Door height

DWi - Door width, minimum 550mm

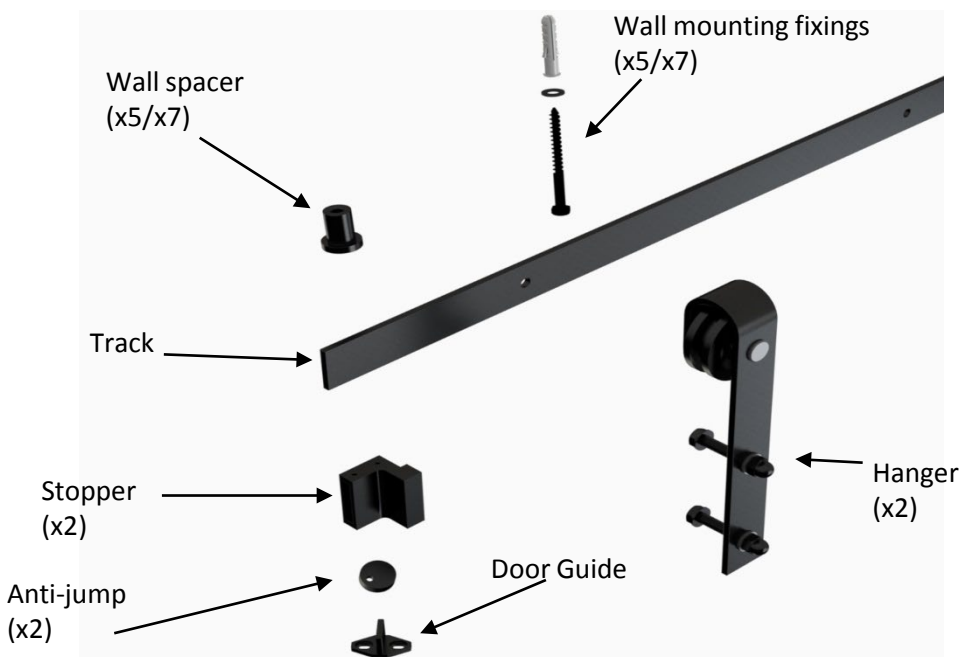
DT - Door thickness, between 35mm and 44mm

OW - Opening width

OH - Opening height



Components for Flat Track 100

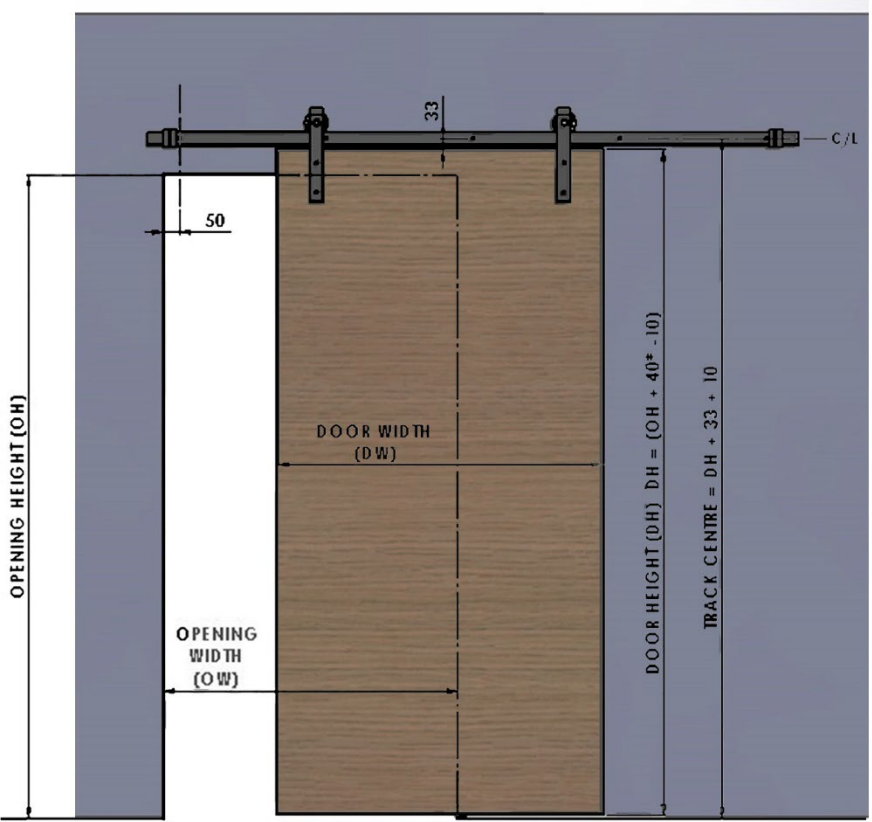


*Quantity of wall spacers and wall mounting fixings depend on length of track.

2 Meter track = x5
3 Meter track = x7

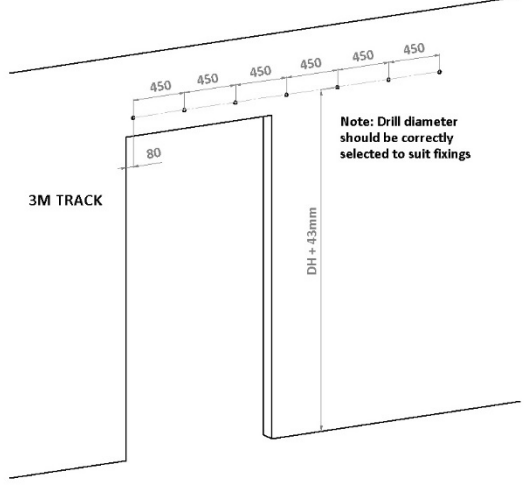
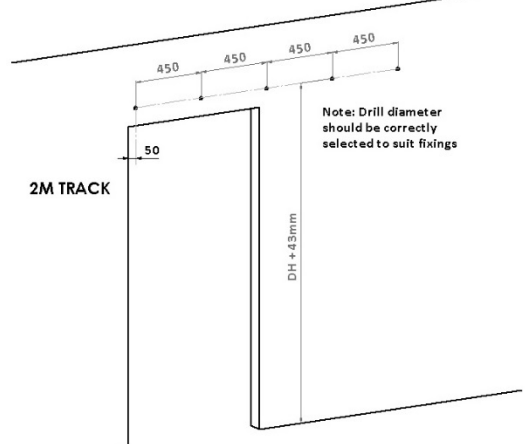
Wall mounting fixings include:
Wall plug, Washer, and Coach bolts M8 x 90mm long

*Depending on kit, hangers shape may be different

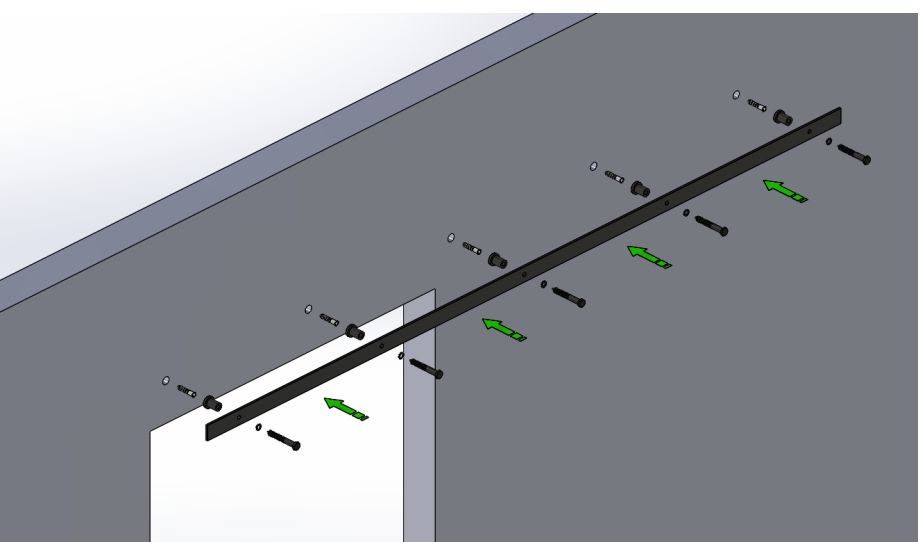


$DW = OW + 40* + 40*$
 $(DW = OW + 80)$

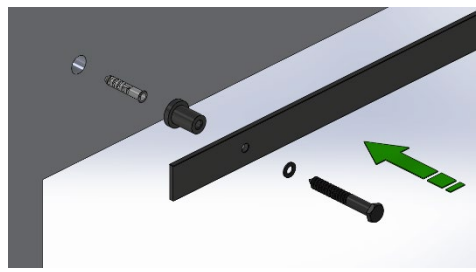
*Coburn suggested 40mm overlap of the door to the opening



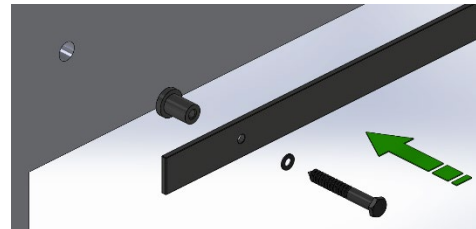
Step 1 Fixing track



1. Mark and drill pilot holes
2. Place track over spacer
3. Fix track with washer and bolt supplied
4. Repeat above steps for remaining spacers
5. Use a spirit level or a laser level to ensure track is levelled
6. Tighten bolts to keep track in a levelled position

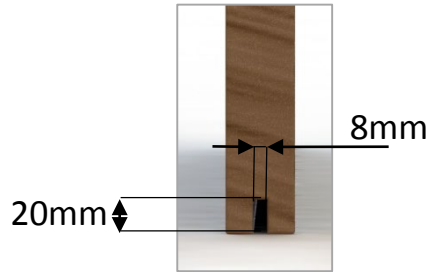


Use wall plug when fixing track on to a masonry or brick wall recommended pilot hole diameter 9mm

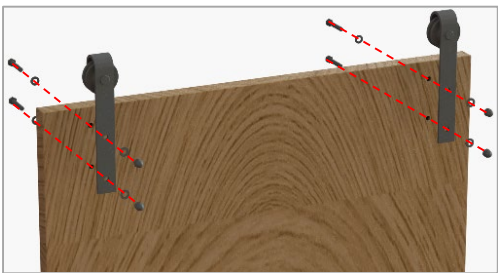


When fixing track on to timber frame wall recommended pilot hole diameter 6mm

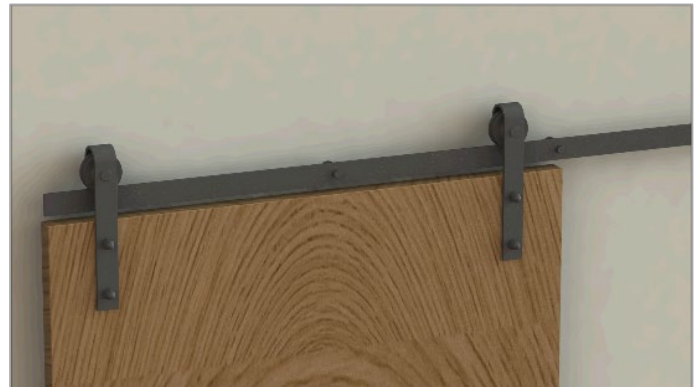
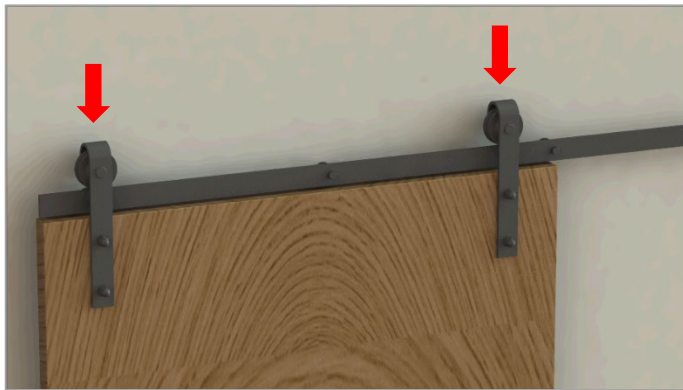
Step 2 Door preparation



1. Make 2 x \varnothing 10mm holes on each side of the door for hanger.
2. Use a router to cut a slot in bottom of the door to accommodate guide
3. Align the hanger and the door holes.
4. Insert screws and washers from the opposite side of the door to the hanger and secure with the remaining washer and nut

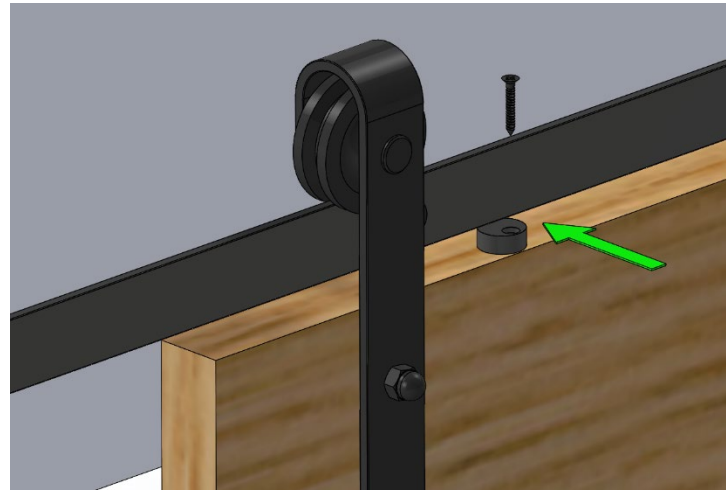
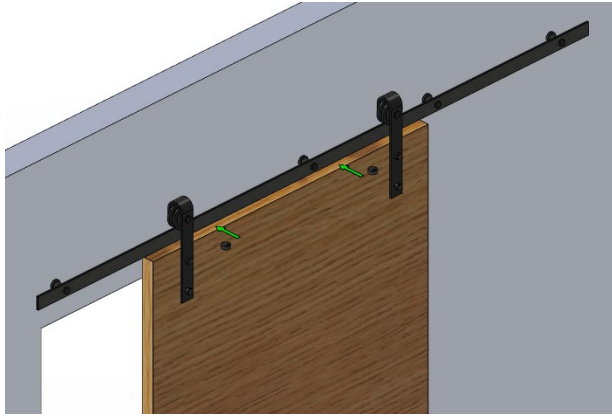


Step 3 Fit door on track

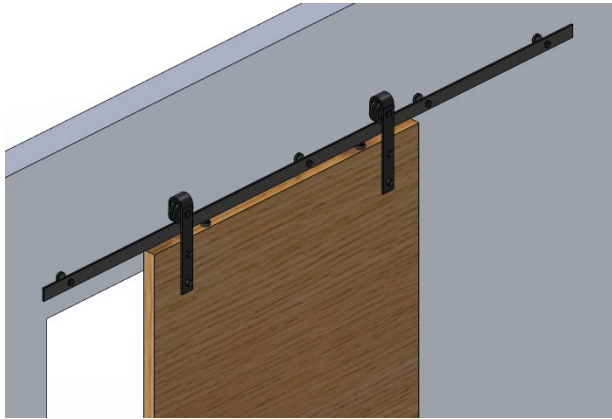


Position the hangers over track and without damaging the track slowly lower them until they sit on top of the track

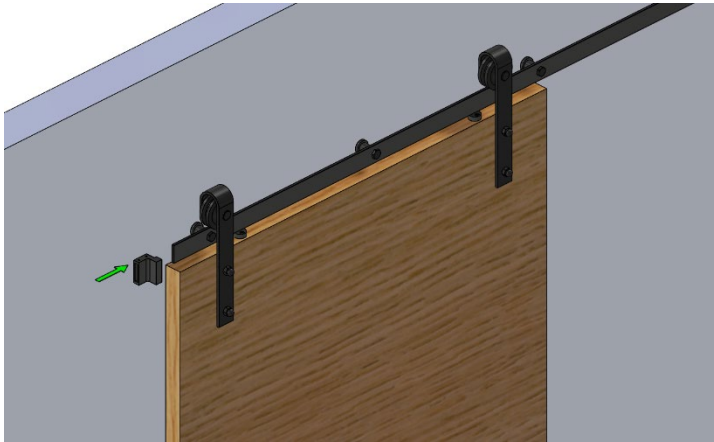
Step 4 Fit anti-jump blocks



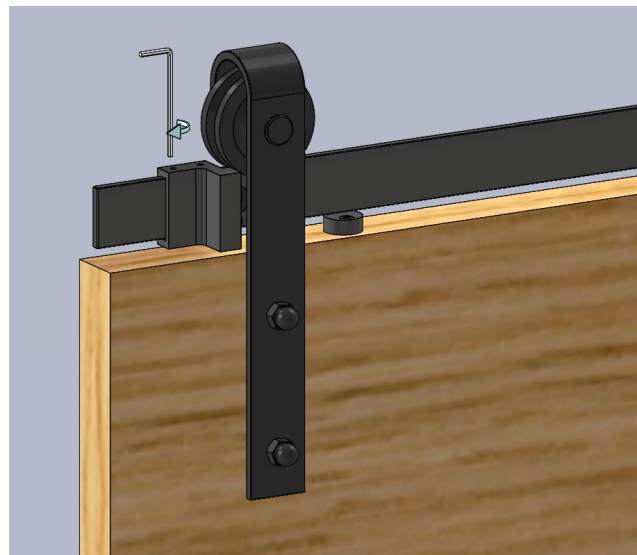
Place anti-jump blocks on top of the door, close to the side edge and secure it with screw



Step 5 Fit track stoppers



With door in fully closed position, insert door stop until rubber touches the hanger and secure with screws on top of the track stop



Step 6 Fit bottom guide



Ensure door is levelled and plumb, insert guide halfway in and secure with screws

Flat Track 100

Fitting instructions
For 2m and 3m kits



Hillaldam Coburn Ltd.

Unit 1, Cardinal West, Cardinal Way,
Godmanchester, PE29 2XN, United Kingdom

Phone: +44 (0)20 8545 6680

Fax: +44 (0)20 8545 6720

E-mail: sales@coburn.co.uk

www.Coburn.co.uk