

TECHNICAL DATA (Fitting Instructions)

Coburn Sliding Systems Limited, Unit 1, Cardinal West, Godmanchester PE29 2XN
 Tel: +44 (0)20 8545 6680 Fax: +44 (0)20 8545 6720 , E-mail: sales@coburn.co.uk www.coburn.co.uk

MAXIMUM DOOR WEIGHT 50kg
MAXIMUM DOOR HEIGHT 2100mm
DOOR THICKNESS 20 - 50mm

TRACK LENGTH AND BRACKET SPACING

Track supplied in standard length 1800mm and 2400mm.

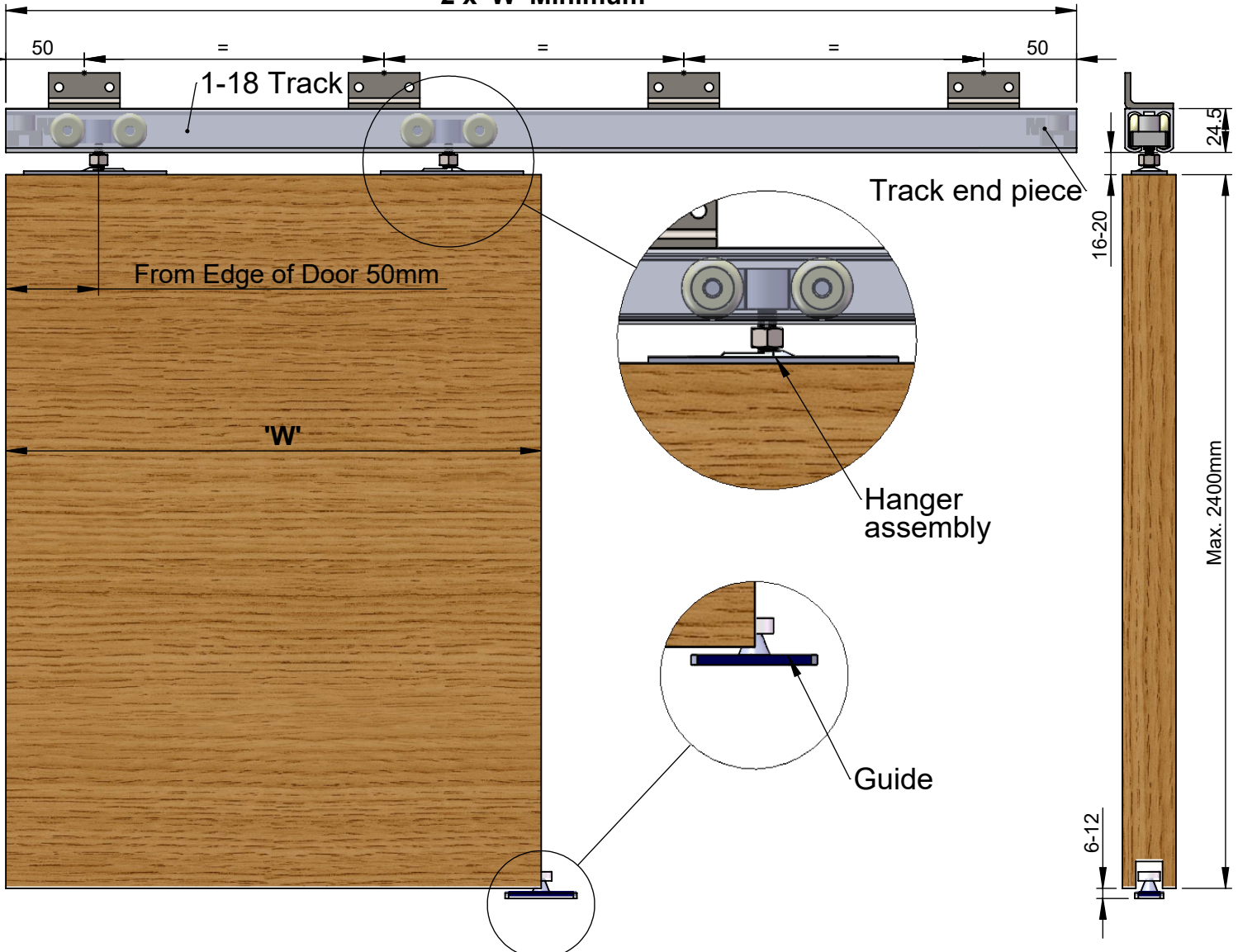
01030/40 brackets are supplied in packs of 3 or 4 complete with all screws. Equally space the side fixing bracket along the length of the track.

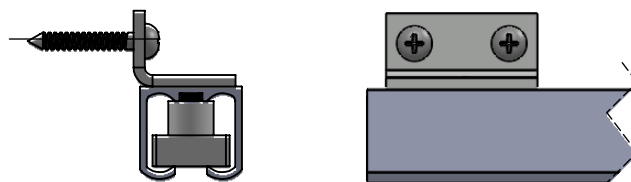
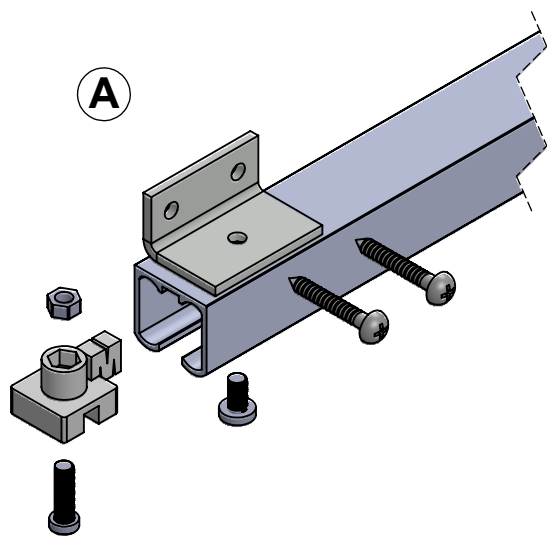
Note: Track can also be Soffit mounted by screwing through the track into the support above.

Trackset Components			
01818		01824	
Hanger Pack 01050	1	Hanger Pack 01050	1
Bracket pack 01030	1	Bracket Pack 01040	1
Aluminium Track 11818	1	Aluminium Track 11824	1

Note: Hanger Pack includes 2 hangers with nylon wheels and integral ball bearings, 1 pair of track end pieces, door guide, spanner and fitting instructions.

2 x 'W' Minimum

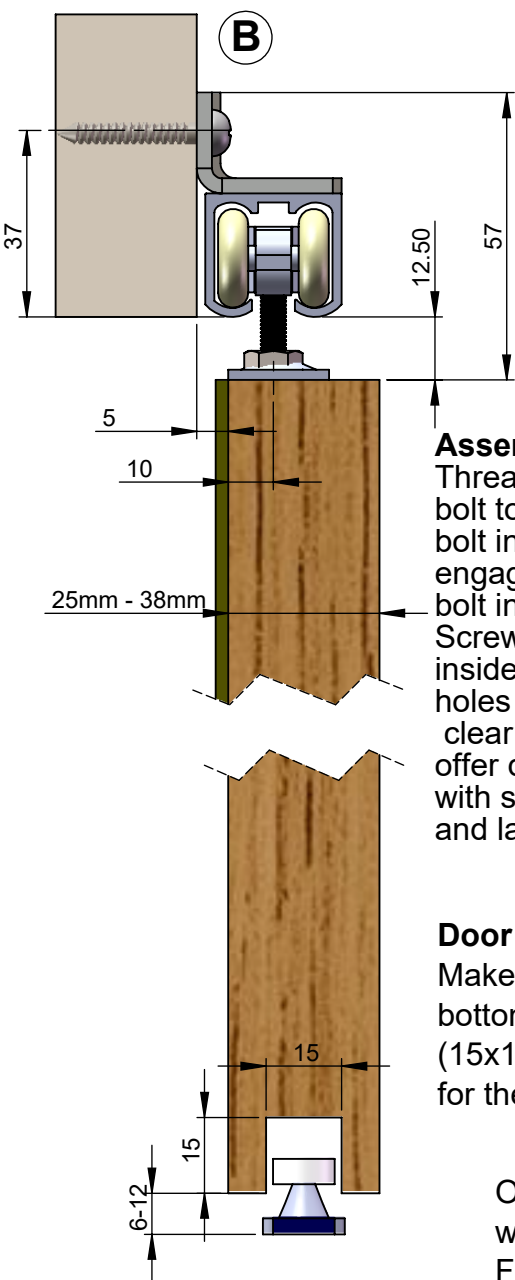




For side fixing brackets, drill $\text{\O}5.5\text{mm}$ holes along the centre line of the track. Drill the first and last holes so they are 50mm from the ends of the track, space the remaining holes equally between these holes.

Assemble brackets to track as shown in 'A' before fixing onto wall. Insert hangers with pendant bolts into track (see 'B' or 'C') followed by assembly of the track end piece.

If Soffit mounting the track, pre-drill $\text{\O}4\text{mm}$ holes along the centre line of the track. Space the holes equally across the length of the track. First and last holes should be 50mm from the ends of the track. Use the wall screws in the bracket pack to then secure the track through the predrilled holes into the support above.

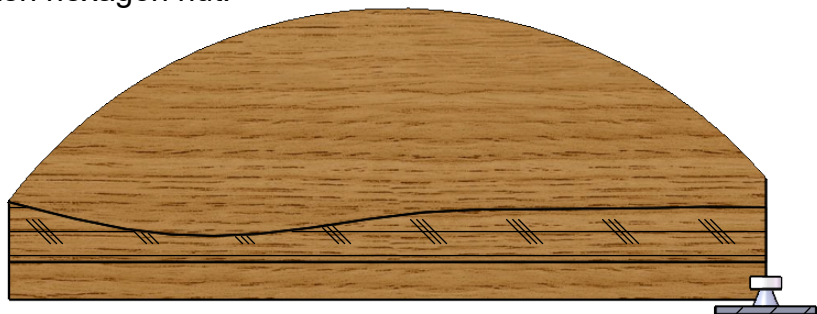
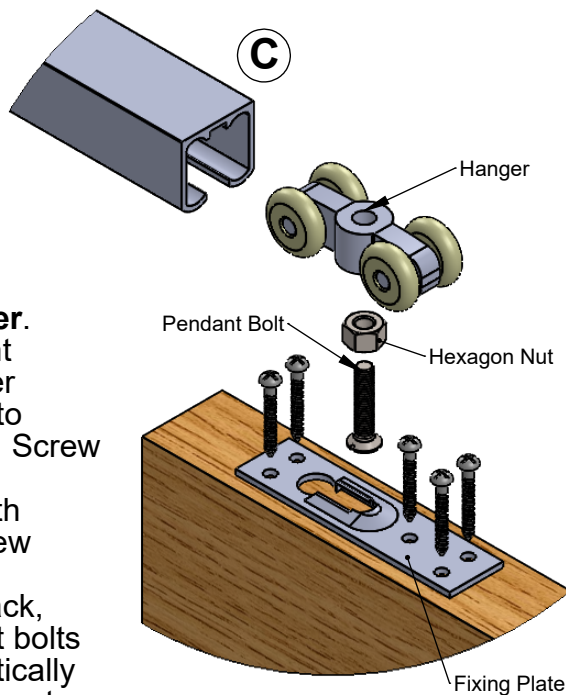


Assembly of Timber door hanger.

Thread hexagon nut on to pendant bolt to within 5.5mm of head. Enter bolt in under side of hanger body to engage with thread in to the body. Screw bolt in until clear of nut. Screw door plate to door, flush with inside edge and such that the screw holes are clear of stiles. With hangers in track, offer door up and engage pendant bolts with slots of door plate, adjust vertically and laterally then tighten hexagon nut.

Door preparation

Make a routing on the bottom of the door (15x15mm) for the 44-373 guide.



Once the door is hung, fully open the door and place 44-373 guide half way into the routing and fix with a screw into the floor. Fully close the door and fix the remaining screw to secure guide on the floor.

Note: the guide must remain inside the routing at all times.

CAUTION: Do not wind the Pendant Bolt all the way past the top of the Hanger, as this will stop the system from working properly