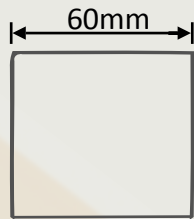
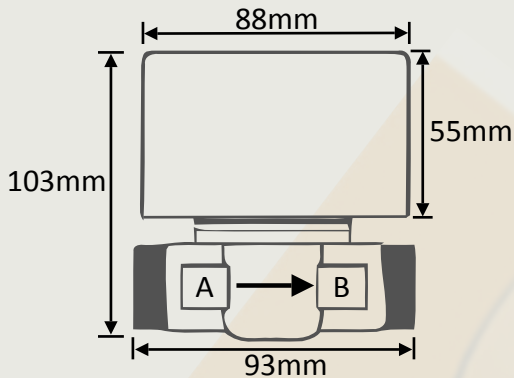




## 2 PORT MOTORISED ZONE VALVE

Product Code: VAL222MV - C



All Dimensions shown in millimetres



**Technical specification:**

- Auxiliary switch
- 1m 5-core flex.
- Switch rating 3A resistive
- Industry standard flex colours: brown; blue; grey; orange; green/yellow

- Synchronous motor drive / spring return action.
- Integrated manual lever for commissioning.
- Supply 230V 50Hz / power consumption 6W
- Operating temperature range: +5 to 88°C
- Maximum differential pressure 1 Bar

- Maximum static pressure 10.0 Bar
- Zone control for heating or hot water.
- 22mm compression fittings are supplied.
- Replaceable actuator head, which can be ex-changed without having to drain-down the system.

