

SHOWERS



DevaTM by METHVEN

Deva Exposed/Concealed Dual Control Thermostatic Mixer Shower Valve

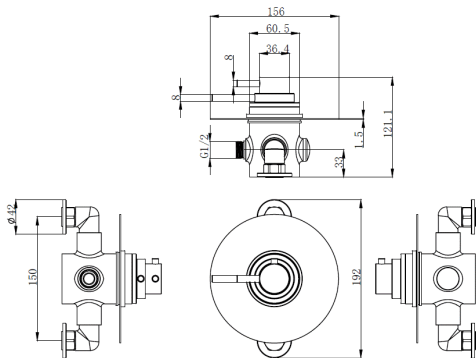
Product Code: CLNCON

Finish: Chrome

Features

- Construction:** Brass
- Shower Valve:** Thermostatic
- Supply:** Suitable For All Plumbing Systems
- Working Pressures:** 0.1 - 5.0 bar
- Inlet connections:** 1/2" BSP
- Operation:** Separate Flow And Temperature Controls

- Suitable for both exposed and concealed installations
- Adjustable centres for ease of installation 148 - 156mm
- Automatic shutoff in the event of hot or cold water supply failure
- Easy to use peg lever gives you maximum control
- Thermostatic cartridge's for precise temperature control
- Separate flow and temperature controls for ease of use
- Supplied with a round brass back plate for perfect finishing
- Suitable for all plumbing systems



*Please refer to website for full warranty details.

Flow (Bar - l/min, open outlet)

Outlet

Flow 0.1	Flow 0.3	Flow 0.5	Flow 1.0	Flow 2.0	Flow 3.0	Flow 4.0	Flow 5.0
7	7.5	8.1	9.3	13.2	14.3	18.5	21.7



www.deva-uk.com · 0800 195 1602 · sales@uk.methven.com