

DEWALT®

www.DEWALT.com

D26411

D26414

Fig. A

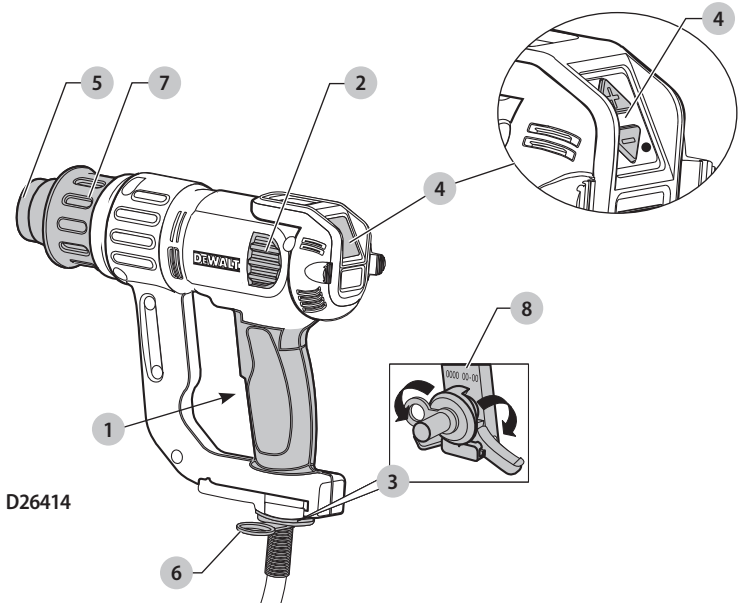
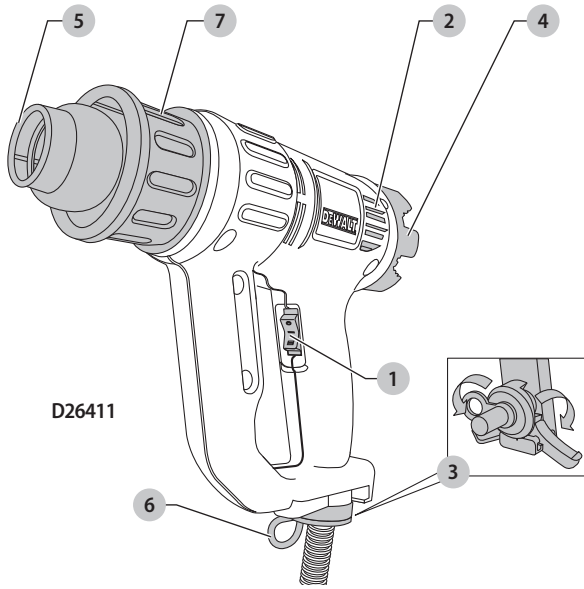


Fig. B

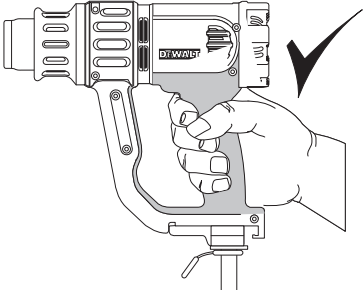


Fig. C

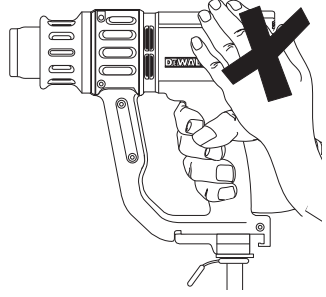
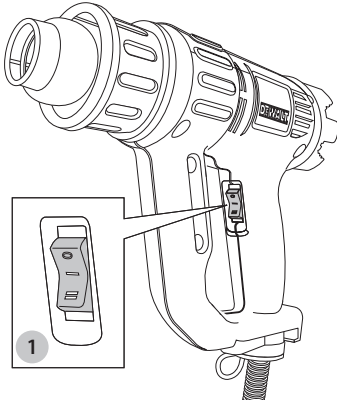


Fig. D



HEAT GUN

D26411, D26414

Congratulations!

You have chosen a DEWALT tool. Years of experience, thorough product development and innovation make DEWALT one of the most reliable partners for professional power tool users.

Technical Data

		D26411	D26414
Voltage	V _{AC}	220-240	220-240
UK & Ireland	V _{AC}	230/115	230/115
Type		1	1
Power input	W	1800	2000
Power input (115V)	W	1600	1600
Air temperature range (at nozzle)	°C	50-400 and 50-600	50-400 and 50-600
Weight	kg	0.65	0.71

NOTE: D26414, This device is intended for connection to a power supply system with maximum permissible system impedance Z_{max} of 0.088 Ω at the interface point (power service box) of user's supply.

The user has to ensure that this device is connected only to a power system which fulfils the requirement above. If necessary, the user can ask the public power supply company for the system impedance at the interface point.

EC-Declaration of Conformity

Machinery Directive



Heat Gun

D26411, D26414

DEWALT declares that these products described under **Technical Data** are in compliance with: 2006/42/EC, EN60335-1:2012+A11:2014, EN60335-2-45:2002 +A1:2008 +A2:2012.

These products also comply with Directive 2014/30/EU and 2011/65/EU. For more information, please contact DEWALT at the following address or refer to the back of the manual.

The undersigned is responsible for compilation of the technical file and makes this declaration on behalf of DEWALT.

Markus Rompel
Vice President of Engineering, PTE-Europe
DEWALT, Richard-Klinger-Straße 11,
65510, Idstein, Germany
01.10.2021

DECLARATION OF CONFORMITY THE SUPPLY OF MACHINERY (SAFETY) REGULATIONS 2008

UK CA

Heat Gun D26411, D26414

DEWALT declares that these products described under **Technical Data** are in compliance with:

The Supply of Machinery (Safety) Regulations, 2008, S.I. 2008/1597 (as amended), EN60335-1:2012+A11:2014, EN60335-2-45:2002 +A1:2008 +A2:2012.

These products conform to the following UK Regulations: Electromagnetic Compatibility Regulations, 2016, S.I.2016/1091 (as amended).

The Restriction of the Use of Certain Hazardous Substances in Electrical and Electronic Equipment Regulations 2012, S.I. 2012/3032 (as amended).

For more information, please contact DEWALT at the following address or refer to the back of the manual.

The undersigned is responsible for compilation of the technical file and makes this declaration on behalf of DEWALT.

Karl Evans
Vice President Professional Power Tools EANZ GTS
DEWALT UK, 270 Bath Road, Slough
Berkshire, SL1 4DX
England
01.10.2021



WARNING: To reduce the risk of injury, read the instruction manual.

Definitions: Safety Guidelines

The definitions below describe the level of severity for each signal word. Please read the manual and pay attention to these symbols.



DANGER: Indicates an imminently hazardous situation which, if not avoided, **will** result in **death or serious injury**.



WARNING: Indicates a potentially hazardous situation which, if not avoided, **could** result in **death or serious injury**.



CAUTION: Indicates a potentially hazardous situation which, if not avoided, **may** result in **minor or moderate injury**.

NOTICE: Indicates a practice **not related to personal injury** which, if not avoided, **may** result in **property damage**.



Denotes risk of electric shock.



Denotes risk of fire.

General Power Tool Safety Warnings



WARNING: Read all safety warnings, instructions, illustrations and specifications provided with this power tool. Failure to follow all instructions listed below may result in electric shock, fire and/or serious injury.

SAVE ALL WARNINGS AND INSTRUCTIONS FOR FUTURE REFERENCE

The term "power tool" in the warnings refers to your mains-operated (corded) power tool or battery-operated (cordless) power tool.

1) Work area safety

- Keep work area clean and well lit.** Cluttered or dark areas invite accidents.
- Do not operate power tools in explosive atmospheres, such as in the presence of flammable liquids, gases or dust.** Power tools create sparks which may ignite the dust or fumes.
- Keep children and bystanders away while operating a power tool.** Distractions can cause you to lose control.

2) Electrical safety

- Power tool plugs must match the outlet. Never modify the plug in any way. Do not use any adapter plugs with earthed (grounded) power tools.** Unmodified plugs and matching outlets will reduce risk of electric shock.
- Avoid body contact with earthed or grounded surfaces such as pipes, radiators, ranges and refrigerators.** There is an increased risk of electric shock if your body is earthed or grounded.
- Do not expose power tools to rain or wet conditions.** Water entering a power tool will increase the risk of electric shock.
- Do not abuse the cord. Never use the cord for carrying, pulling or unplugging the power tool. Keep cord away from heat, oil, sharp edges or moving parts.** Damaged or entangled cords increase the risk of electric shock.
- When operating a power tool outdoors, use an extension cord suitable for outdoor use.** Use of a cord suitable for outdoor use reduces the risk of electric shock.
- If operating a power tool in a damp location is unavoidable, use a residual current device (RCD)**

protected supply. Use of an RCD reduces the risk of electric shock.

3) Personal safety

- Stay alert, watch what you are doing and use common sense when operating a power tool. Do not use a power tool while you are tired or under the influence of drugs, alcohol or medication.** A moment of inattention while operating power tools may result in serious personal injury.
- Use personal protective equipment. Always wear eye protection.** Protective equipment such as dust mask, non-skid safety shoes, hard hat, or hearing protection used for appropriate conditions will reduce personal injuries.
- Prevent unintentional starting. Ensure the switch is in the off position before connecting to power source and/or battery pack, picking up or carrying the tool.** Carrying power tools with your finger on the switch or energising power tools that have the switch on invites accidents.
- Remove any adjusting key or wrench before turning the power tool on.** A wrench or a key left attached to a rotating part of the power tool may result in personal injury.
- Do not overreach. Keep proper footing and balance at all times.** This enables better control of the power tool in unexpected situations.
- Dress properly. Do not wear loose clothing or jewellery. Keep your hair, clothing and gloves away from moving parts.** Loose clothes, jewellery or long hair can be caught in moving parts.
- If devices are provided for the connection of dust extraction and collection facilities, ensure these are connected and properly used.** Use of dust collection can reduce dust-related hazards.

4) Power tool use and care

- Do not force the power tool. Use the correct power tool for your application.** The correct power tool will do the job better and safer at the rate for which it was designed.
- Do not use the power tool if the switch does not turn it on and off.** Any power tool that cannot be controlled with the switch is dangerous and must be repaired.
- Disconnect the plug from the power source and/or the battery pack from the power tool before making any adjustments, changing accessories, or storing power tools.** Such preventive safety measures reduce the risk of starting the power tool accidentally.
- Store idle power tools out of the reach of children and do not allow persons unfamiliar with the power tool or these instructions to operate the power tool.** Power tools are dangerous in the hands of untrained users.
- Maintain power tools. Check for misalignment or binding of moving parts, breakage of parts and any other condition that may affect the power tool's operation. If damaged, have the power tool repaired**

before use. Many accidents are caused by poorly maintained power tools.

- f) **Keep cutting tools sharp and clean.** Properly maintained cutting tools with sharp cutting edges are less likely to bind and are easier to control.
- g) **Use the power tool, accessories and tool bits etc., in accordance with these instructions taking into account the working conditions and the work to be performed.** Use of the power tool for operations different from those intended could result in a hazardous situation.

5) Service

- a) **Have your power tool serviced by a qualified repair person using only identical replacement parts.** This will ensure that the safety of the power tool is maintained.

Safety Instructions for Heat Guns

A fire may result if the appliance is not used with care, therefore:

- Heat may be conducted to combustible materials that are out of sight. **DO NOT** use in a damp atmosphere, where flammable gases may be present or near combustible materials.
- **DO NOT** apply to the same place for a long time.
- **DO NOT** use in presence of an explosive atmosphere.
- Place the appliance on its stand after use and allow it to cool down before storage.
- **DO NOT** leave the tool unattended while it is switched on.
- **DO NOT** place your hand over the air vents or block the vents in any way.
- The nozzle and accessories of this tool become extremely hot during use. Let these parts cool down before touching.
- **ALWAYS** switch the tool off before putting it down.
- This appliance is not intended for use by persons (including children) with reduced physical, sensory or mental capabilities, or lack of experience and knowledge, unless they have been given supervision or instruction concerning use of the appliance by a person responsible for their safety.
- Ensure adequate ventilation as toxic fumes may be produced.
- **DO NOT** use as a hair dryer.
- **DO NOT** obstruct either the air intake or nozzle outlet, as this may cause excessive heat build up resulting in damage to the tool.
- **DO NOT** direct the hot air blast at other people.
- **DO NOT** touch the metal nozzle as it becomes very hot during use and remains hot for up to 30 minutes after use.
- **DO NOT** place the nozzle against anything while using or immediately after use.
- **DO NOT** poke anything down the nozzle as it could give you an electric shock. Do not look down the nozzle while the unit is working because of the high temperatures being produced.
- **DO NOT** allow paint to adhere to the nozzle or scraper as it could ignite after some time.
- **DO NOT** remove the heat barrel cover during use.

Additional Safety Warnings for Heat Guns

- To reduce the risk of explosion, **DO NOT** use in paint spray booths or within 3.0 m of paint spraying operations.
- **DO NOT use this tool to remove paint containing lead.** The peelings, residue and vapors of paint may contain lead which is poisonous.
- Hidden areas such as behind walls, ceilings, floors, soffit boards and other panels may contain flammable materials that could be ignited by the heat gun when working in these locations. The ignition of these materials may not be readily apparent and could result in property damage and injury to persons. When working in these locations, keep the heat gun moving in a back-and-forth motion. Lingering or pausing in one spot could ignite the panel or the material behind it.
- **NOTE:** These heat guns are capable of producing temperatures in excess of 550 °C.
- **DO NOT** use this tool to heat food.
- **DO NOT** lay the heat gun on flammable surfaces when operating the gun or immediately after shutting it off.
- Keep moveable items secured and steady while scraping.
- Be sure to direct the hot air blast in a safe direction; away from other people or flammable objects.
- **KEEP FINGERS AWAY FROM METAL NOZZLE;** it becomes very hot during use and remains hot for 30 minutes after use. Wear gloves to protect hands.
- **ALWAYS** keep nozzle away from cord.
- Splinters and small particles of stripped paint can be ignited and blown through holes and cracks in the surface being stripped.
- **DO NOT** burn the paint. Use the scraper provided and keep the nozzle at least 25 mm away from the painted surface. When working in a vertical direction, work downwards to prevent paint from falling into the tool and burning.
- **ALWAYS** use good quality scrapers and stripping knives.
- **DO NOT** use the heat gun in combination with chemical strippers.
- **DO NOT** use accessory nozzles as scrapers.
- **DO NOT** direct heatgun airflow directly on glass. The glass may crack and could result in property damage or personal injury.
- Maintain labels and nameplates. These carry important information.
- Place the heat gun on a stable, level surface when not hand held. Place the cord in a position that won't cause the heat gun to tip over.
- Be constantly aware that this tool can ignite flammable materials, soften or melt others. Regardless of the task you are performing, shield or keep the heat gun away from these materials.
- You may occasionally notice some slight smoking of the tool after it is turned off. This is the result of heating the residual oil that was deposited on the heating element during the manufacturing process.
- **Use eye protection and other safety equipment.**

Removing Paint



WARNING: Extreme care should be taken when stripping paint.

Before beginning any paint removal process you should determine whether the paint you are removing contains lead. **LEAD-BASED PAINT SHOULD ONLY BE REMOVED BY A PROFESSIONAL AND SHOULD NOT BE REMOVED USING A HEAT GUN.**

Persons removing paint should follow these guidelines:

1. Move the workpiece outdoors. If this is not possible, keep the work area well ventilated. Open the windows and put an exhaust fan in one of them. Be sure the fan is moving the air from inside to outside.
2. Remove or cover any carpets, rugs, furniture, clothing, cooking utensils and air ducts.
3. Place drop cloths in the work area to catch any paint chips or peelings. Wear protective clothing such as extra work shirts, overalls and hats.
4. Work in one room at a time. Furnishings should be removed or placed in the center of the room and covered. Work areas should be sealed off from the rest of the dwelling by sealing doorways with drop cloths.
5. Children, pregnant or potentially pregnant women and nursing mothers should not be present in the work area until the work is done and all clean up is complete.
6. Wear a dust respirator mask or a dual filter (dust and fume) respirator mask. Be sure the mask fits. Beards and facial hair may keep masks from sealing properly. Change filters often. **DISPOSABLE PAPER MASKS ARE NOT ADEQUATE.**
7. Use caution when operating the heat gun. Keep the heat gun moving as excessive heat will generate fumes which can be inhaled by the operator.
8. Keep food and drink out of the work area. Wash hands, arms and face and rinse mouth before eating or drinking. Do not smoke or chew gum or tobacco in the work area.
9. Clean up all removed paint and dust by wet mopping the floors. Use a wet cloth to clean all walls, sills and any other surface where paint or dust is clinging. **DO NOT SWEEP, DRY DUST OR VACUUM.** Use a high phosphate detergent or trisodium phosphate (TSP) to wash and mop areas.
10. At the end of each work session put the paint chips and debris in a double plastic bag, close it with tape or twist ties and dispose of properly.
11. Remove protective clothing and work shoes in the work area to avoid carrying dust into the rest of the dwelling. Wash work clothes separately. Wipe shoes off with a wet rag that is then washed with the work clothes. Wash hair and body thoroughly with soap and water.

IMPORTANT NOTICE

In order for this tool to be an effective paint stripper, it must produce extremely high temperatures. As a consequence, the stripper is capable of igniting paper, wood, paint and varnish residue and similar materials.

As you become more familiar with the tool and develop the proper technique, the danger of accidental ignition will be greatly reduced. In establishing the proper technique, the best thing to do is PRACTICE! Work on simple stripping projects, preferably

outdoors, until you get a "feel" for how to use your stripper safely and effectively.

As you Practice, Observe the Following Procedures for Safety

- Always be sure the tool is turned off and disconnected from power supply when unattended.
- Clean the scraper blade often during use. Built up residue on the blade is highly flammable.
- Experiment to find the optimum distance from the tool's nozzle to the surface being stripped. This distance 25.4 mm–50.8 mm will vary depending on the material being removed.
- Keep the heat gun moving ahead of the scraper blade at all times.
- As you work, clean up loose pieces of paint as they accumulate around the work area.
- When working indoors, keep away from curtains, papers, upholstery and similar flammable materials.
- Above all, remember that this is a serious tool that is capable of producing excellent results when used properly. Practice on simple projects until you feel comfortable with your stripper. Only then will you have mastered the proper technique.



WARNING: We recommend the use of a residual current device with a residual current rating of 30mA or less.

Residual Risks

In spite of the application of the relevant safety regulations and the implementation of safety devices, certain residual risks cannot be avoided. These are:

- Impairment of hearing.
- Risk of personal injury due to flying particles.
- Risk of burns due to accessories becoming hot during operation.
- Risk of personal injury due to prolonged use.

Electrical Safety

The electric motor has been designed for one voltage only. Always check that the power supply corresponds to the voltage on the rating plate.



Your DEWALT tool is double insulated in accordance with EN60745; therefore no earth wire is required.



WARNING: 115 V units have to be operated via a fail-safe isolating transformer with an earth screen between the primary and secondary winding.



WARNING: If the plug or power cord is damaged, it must be replaced by the manufacturer or its representative or by a DEWALT authorised service centre.

Mains Plug Replacement (U.K. & Ireland Only)

If a new mains plug needs to be fitted:

- Safely dispose of the old plug.
- Connect the brown lead to the live terminal in the plug.
- Connect the blue lead to the neutral terminal.

 **WARNING:** No connection is to be made to the earth terminal.

Follow the fitting instructions supplied with good quality plugs. Recommended fuse: 13 A.

Using an Extension Cable

If an extension cable is required, use an approved 3-core extension cable suitable for the power input of this tool (see **Technical Data**). The minimum conductor size is 1.5 mm²; the maximum length is 30 m.

When using a cable reel, always unwind the cable completely.

Package Contents

The package contains:

- 1 Heat gun
- 1 Set of accessories
- 1 Instruction manual
- Check for damage to the tool, parts or accessories which may have occurred during transport.
- Take the time to thoroughly read and understand this manual prior to operation.

Markings on Tool

The following pictograms are shown on the tool:



Read instruction manual before use.



Wear ear protection.



Wear eye protection.

Date Code Position (Fig. A)


The date code **8**, which also includes the year of manufacture, is printed into the housing.

Example:

2021 XX XX

Year of Manufacture

Description (Fig. A)

 **WARNING:** Never modify the power tool or any part of it. Damage or personal injury could result.

- 1 On/off switch
- 2 Air vents
- 3 Kick-off stand
- 4 Air temperature adjustment knob (D26411)
LCD air temperature indicator and adjuster (D26414)
- 5 Nozzle
- 6 Tool hanging ring
- 7 Heat barrel cover

Intended Use


Your heat gun has been designed for stripping paint, soldering pipes, shrinking PVC, welding and bending plastics as well as general drying and thawing purposes.

DO NOT use under wet conditions or in the presence of flammable liquids or gases.

The heat gun is a professional power tool. **DO NOT** let children come into contact with the tool. Supervision is required when inexperienced operators use this tool.

- **Young children and the infirm.** This appliance is not intended for use by young children or infirm persons without supervision.
- This product is not intended for use by persons (including children) suffering from diminished physical, sensory or mental abilities; lack of experience, knowledge or skills unless they are supervised by a person responsible for their safety. Children should never be left alone with this product.

ASSEMBLY AND ADJUSTMENTS

 **WARNING:** To reduce the risk of serious personal injury, turn tool off and disconnect tool from power source before making any adjustments or removing/installing attachments or accessories. An accidental start-up can cause injury.

Air Temperature (Fig. A)

D26411

The air temperature can be adjusted to suit a wide range of applications. Turn the air temperature adjustment knob **4** clockwise or counterclockwise for higher or lower heat.

D26414

- Press and release the LCD air temperature indicator and adjuster **4** to set the desired temperature in 10 °C increments.
- To continuously increase or decrease the temperature press and hold the LCD air temperature indicator and adjuster **4**.
- Release the indicator when desired temperature or minimum/maximum temperature is reached.
- The display shows the actual rising/falling temperature until the desired temperature is reached.

Set and Forget Temperature Control System

D26414

The desired temperature is stored in the memory of the tool. Each time the heat gun is turned on, the heat gun heats to the last temperature setting, with respect to air flow. If unsure about the setting, always start with a low temperature setting and gradually increase the temperature until the desired setting is reached.

Applications



The table below suggests settings for different applications.

Setting	Applications
Low	<ul style="list-style-type: none"> • Drying paint and varnish • Removing stickers • Waxing and dewaxing • Drying wet timber prior to filling • Shrinking PVC wrapping and insulation tubes • Thawing frozen pipes

Medium	<ul style="list-style-type: none"> • Welding plastics • Bending plastic pipes and sheets • Loosening rusted or tightly fastened nuts and bolts
High	<ul style="list-style-type: none"> • Removing paint and lacquer • Soldering plumbing joints • Removing linoleum or vinyl floor tiles

To Attach the Correct Accessory





This tool is supplied with a set of accessories for different applications.

Icon	Description	Purpose
	Cone nozzle	Shrink sleeving (heat over concentrated small area)
	50 mm Fish tail surface nozzle	Drying, removing paint, removing vinyl or linoleum, thawing (heat spread over wide area)




1. Make sure the on/off switch **1** is in position O and the tool is disconnected from the power source. Ensure the nozzle has cooled down.
2. Place the desired accessory onto the nozzle.

OPERATION

Instructions for Use

-  **WARNING:** Always observe the safety instructions and applicable regulations.
-  **WARNING:** To reduce the risk of serious personal injury, turn tool off and disconnect tool from power source before making any adjustments or removing/installing attachments or accessories. An accidental start-up can cause injury.
-  **WARNING:** Make sure the nozzle always points away from you and any bystanders.
-  **WARNING:** DO NOT drop anything into the nozzle.

Proper Hand Position (Fig. B, C)

-  **WARNING:** To reduce the risk of serious personal injury, ALWAYS use proper hand position as shown.
-  **WARNING:** To reduce the risk of serious personal injury, ALWAYS hold securely in anticipation of a sudden reaction.
-  **WARNING:** Do not place your other hand over the air vents (Fig. C).

Proper hand position requires one hand holding the tool as shown in Figure B.

Prior to Operation



1. Attach the correct accessory recommended for the application.

2. Turn the air temperature adjustment knob/LCD air temperature indicator and adjuster **4** to desired air temperature.

Switching On and Off (Fig. D)

1. Push the on/off switch **1** to the desired air flow settings:
 - I: 240 liter/min (50 °C–400 °C)
250 liter/min (50 °C–400 °C) (D26414)
A low air flow to heat up the workpiece slowly.
 - II: 450 liter/min (50 °C–600 °C)
500 liter/min (50 °C–600 °C) (D26414)
A high air flow to heat up the workpiece quickly.
2. To turn the tool off, push the on/off switch **1** to position O. Disconnect the tool from the power source and let the tool cool down before moving or storing it.

Removing Paint

-  **WARNING:** Refer to **Important Notice** under **Additional Safety Instructions for Heat Guns** before using the tool to remove paint.
-  **WARNING:** Do not strip metal window frames as the heat may crack the glass.
 - When striping other window frames, use a glass protection nozzle.
 - To prevent igniting the surface, do not keep the tool directed at one spot too long.
 - Avoid collecting paint on the scraper accessory, as it may ignite. If necessary, carefully remove paint debris from the scraper accessory using a knife.

1. Attach the appropriate accessory.
2. Turn the air temperature adjustment knob/LCD air temperature indicator and adjuster **4** to high.
3. Turn the tool on by selecting the desired air flow.
4. Direct the hot air onto the paint to be removed. Best results will be achieved if the heat gun is moved slowly, but CONSTANTLY, from side to side to evenly distribute heat. DO NOT LINGER OR PAUSE IN ONE SPOT.
5. When the paint softens, scrape the paint away using a hand scraper.

REMEMBER: Splinters and small particles of stripped paint can be ignited and blown through holes and cracks in the surface being stripped.

Stationary Use (Fig. A)

This tool can also be used in stationary mode.

1. Fold down the kickstand **3** as shown in Figure A.
2. Set the tool onto a level, stable workbench. Ensure the tool will not tip over.
3. Secure the power cord to prevent entanglement or pulling the tool off the workbench.
4. Turn the tool on by selecting the desired air flow.

Constant Heat Control (Overload Protection)

When the tool is overloaded, this feature protects the heating element from damage without stopping the tool and/or without a cool down period.

1. When the temperature gets too hot, the heating element switches itself off. The motor will continue to run and produce cold air.
2. When the temperature has cooled sufficiently (taking only a few seconds) the heating element will switch on automatically.

Tool Ring (Fig. A)



WARNING: ALWAYS turn heat gun off, disconnect from the power source and let the tool cool down for at least 30 minutes before moving or storing it.

For easy storage, the tool can hang from the tool ring 6. The heat gun should be stored indoors.

Cool Down Period

The nozzle and accessory becomes very hot during use. Turn heat gun off, disconnect from the power source and let the tool cool down for at least 30 minutes before moving or storing it.

NOTE: To reduce the cooling time, switch the tool on at the lowest air temperature setting and let it run for a few minutes before turning the heat gun off.

MAINTENANCE

Your DeWALT power tool has been designed to operate over a long period of time with a minimum of maintenance. Continuous satisfactory operation depends upon proper tool care and regular cleaning.



WARNING: To reduce the risk of serious personal injury, turn tool off and disconnect tool from power source before making any adjustments or removing/installing attachments or accessories. An accidental start-up can cause injury.



Lubrication

Your power tool requires no additional lubrication.



Cleaning



WARNING: Blow dirt and dust out of the main housing with dry air as often as dirt is seen collecting in and around the air vents. Wear approved eye protection and approved dust mask when performing this procedure.



WARNING: Never use solvents or other harsh chemicals for cleaning the non-metallic parts of the tool. These chemicals may weaken the materials used in these parts. Use a cloth dampened only with water and mild soap. Never let any liquid get inside the tool; never immerse any part of the tool into a liquid.

Optional Accessories



WARNING: Since accessories, other than those offered by DEWALT, have not been tested with this product, use of such accessories with this tool could be hazardous. To reduce the risk of injury, only DEWALT recommended accessories should be used with this product.

Consult your dealer for further information on the appropriate accessories.

Protecting the Environment



Separate collection. Products and batteries marked with this symbol must not be disposed of with normal household waste.



Products and batteries contain materials that can be recovered or recycled reducing the demand for raw materials. Please recycle electrical products and batteries according to local provisions. Further information is available at www.2helpU.com.

Belgique et Luxembourg België en Luxemburg	DEWALT - Belgium BVBA Egide Walschaertsstraat 16 2800 Mechelen	Tel: NL 32 15 47 37 63 Tel: FR 32 15 47 37 64 Fax: 32 15 47 37 99	www.dewalt.be enduserv.BE@sbdinc.com
Danmark	DEWALT (Stanley Black&Decker AS) Roskildevej 22 2620 Albertslund	Tel: 70 20 15 10 Fax: 70 22 49 10	www.dewalt.dk kundeservice.dk@sbdinc.com
Deutschland	DEWALT Richard Klingler Str. 11 65510 Idstein	Tel: 06126-21-0 Fax: 06126-21-2770	www.dewalt.de infodwge@sbdinc.com
Ελλάς	DEWALT (ΕΜΔΑ) Α.Ε. ΕΔΡΑ-ΓΡΑΦΕΙΑ : Στραβίωνος 7 & Α. Βουλιαγμένης, Γλυφάδα 166 74, Αθήνα SERVICE : Ημερος 10τος 2 (Χάνι Αδών) – 193 00 Ασπίστηριος	Τηλ: 00302108981616 Φαξ: 00302108983570	www.dewalt.gr Greece.Service@sbdinc.com
España	DEWALT Ibérica, S.C.A. Parc de Negocios "Mas Blau" Edificio Muntadas, c/Bergadà, 1, Of. A6 08820 El Prat de Llobregat (Barcelona)	Tel: 934 797 400 Fax: 934 797 419	www.dewalt.es respuesta.postventa@sbdinc.com
France	DEWALT (Stanley Black & Decker France SAS) 62 Chemin de la Bruyère CS 60105, 69574 DARDILLY Cedex	Tel: 04 72 20 39 20 Fax: 04 72 20 39 00	www.dewalt.fr scufr@sbdinc.com
Schweiz Suisse Svizzera	DEWALT In der Luberzen 42 8902 Urdorf	Tel: 044 - 755 60 70 Fax: 044 - 730 70 67	www.dewalt.ch service@rofoag.ch
Ireland	DEWALT Building 4500, Kinsale Road Cork Airport Business Park Cork, Ireland	Tel: 00353-2781800 Fax: 01278 1811	www.dewalt.ie Sales.Ireland@sbdinc.com
Italia	DEWALT via Energypark 6 20871 Vimercate (MB), IT	Tel: 800-014353 39 039-9590200 Fax: 39 039-9590311	www.dewalt.it
Nederlands	DEWALT Netherlands BVPostbus 83, 6120 AB BORN	Tel: 31 164 283 063 Fax: 31 164 283 200	www.dewalt.nl
Norge	DEWALT Postboks 4613 0405 Oslo, Norge	Tel: 45 25 13 00 Fax: 45 25 08 00	www.dewalt.no kundeservice.no@sbdinc.com
Österreich	DEWALT Werkzeug Vertriebsges m.b.H Oberlaaerstrasse 248, A-1230 Wien	Tel: 01 - 66116 - 0 Fax: 01 - 66116 - 614	www.dewalt.at service.austria@sbdinc.com
Portugal	DEWALT Ed. D Dinis, Quina da Fonte Rua dos Malhoes 2 2A 2º Esq. Oeiras e S. Juliao da Barra, paço de Arcos e Caxias 2770 071 Paço de Arcos	Tel: +351 214667500 Fax: +351214667580	www.dewalt.pt resposta.posvenda@sbdinc.com
Suomi	DEWALT PL47 00521 Helsinki, Suomi	Puh: 010 400 4333 Faksi: 0800 411 340	www.dewalt.fi asiakaspalvelu.fi@sbdinc.com
Sverige	DEWALT BOX 94 43122 Mölndal Sverige	Tel: 031 68 61 60 Fax: 031 68 60 08	www.dewalt.se kundservice.se@sbdinc.com
Türkiye	Sanayi ve Ticaret Bakanlığı tebliğince kullanım ömrü 7 yıldır. Stanley Black & Decker Turkey Alet Üretim San. Tic. Ltd.Şti. AND Kozyatağı – İçerenköy Mah. Umut Sok. AND Ofis Sit. No: 10-12 / 82-83-84 Ataşehir/İstanbul, Türkiye	Tel: +90 216 665 2900 Faks: +90 216 665 2901	www.dewalt.com.tr support@dewalt.com.tr
United Kingdom	DEWALT, 270 Bath Road; Slough, Berks SL1 4DX	Tel: 01753-567055 Fax: 01753-572112	www.dewalt.co.uk emeaservice@sbdinc.com
Australia	DEWALT 810 Whitehorse Road Box Hill VIC 3128 Australia	Tel: Aust 1800 338 002 Tel: NZ 0800 339 258	www.dewalt.com.au www.dewalt.co.nz
Middle East Africa	DEWALT P.O. Box - 17164, Jebel Ali Free Zone (South), Dubai, UAE	Tel: 971 4 812 7400 Fax: 971 4 2822765	www.dewalt.ae support@dewalt.ae