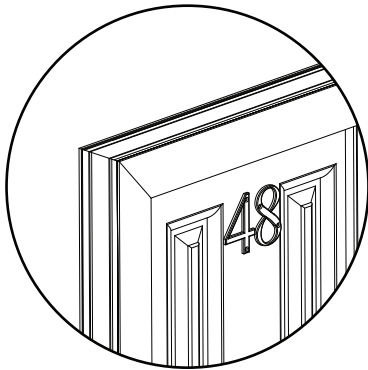
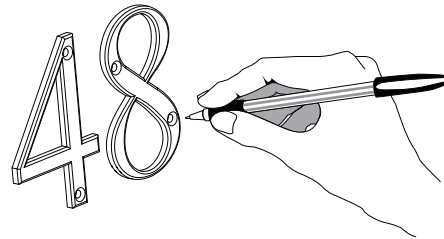


## Numerals Fitting Detail

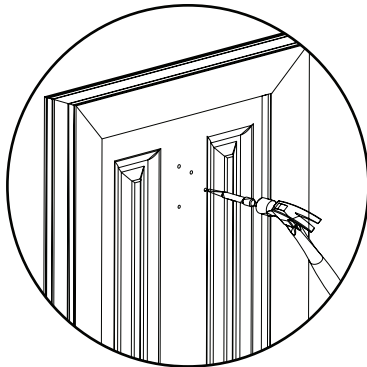
- 1 Locate the numerals on the door using a straight edge if necessary to ensure alignment.



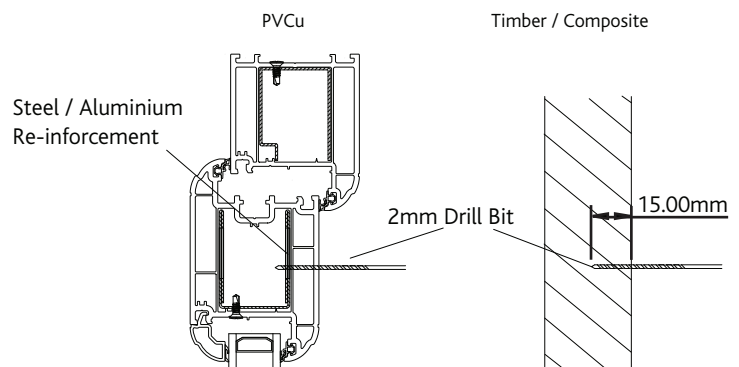
- 2 With the numerals correctly located mark the fixing holes with a pen or pencil.



- 3 Remove the numerals. If available always use a drill punch to mark drilling positions using the pencil marks as a guide. The indent made by the point will ensure the drill does not slip.



- 4 If fitting to PVCu profile, use a 2mm drill bit to pre-drill the fixing holes ensuring the drill bit pierces the steel re-inforcement. If fitting to timber drill to a maximum depth of 15mm.



- 5 Align the numerals with their correct fixing hole location. Screw into place using the correct screwdriver PH1 and using the fixing screws provided.

