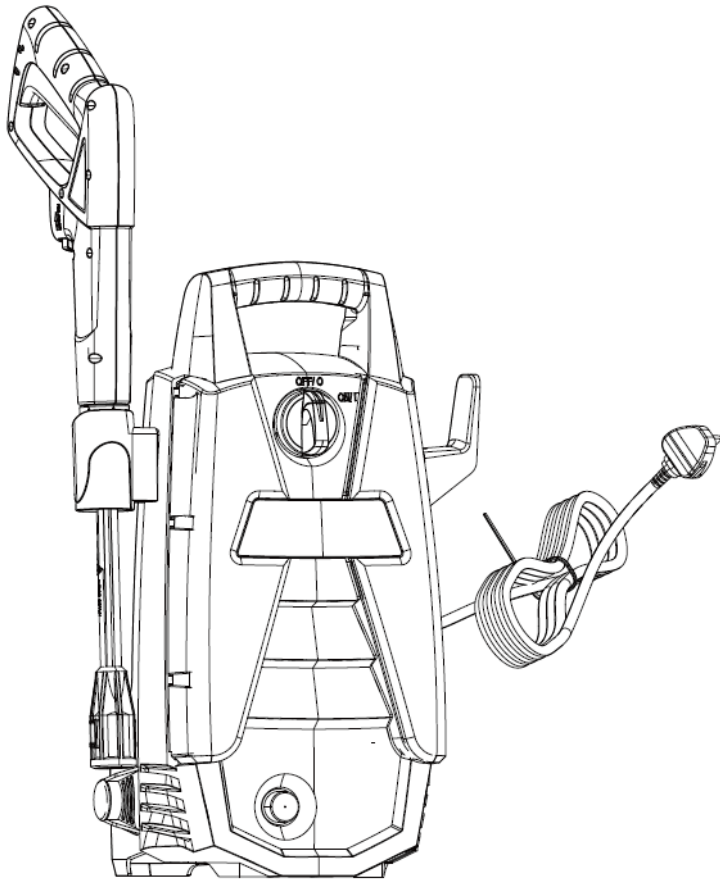




Original User's Instructions

High-pressure Washer 1400W

SKU: 44787

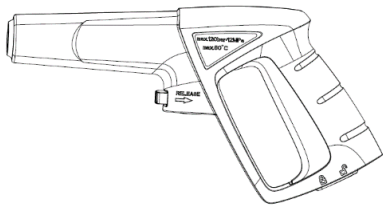


**READ BEFORE USE
PLEASE KEEP THESE INSTRUCTIONS FOR FURTHER REFERENCE**

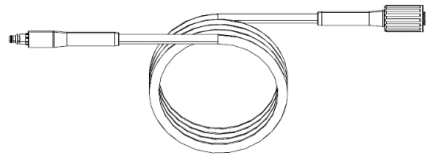
CONTENT

● WHAT'S IN THE BOX-----	3
● TOOLS REQUIRED-----	4
● SPECIFICATIONS-----	4
● EXPLANATIONS AND SYMBOLS, CAUTIONS AND WARNINGS-----	5
● IMPORTANT SAFETY WARNINGS-----	6
● PRODUCT DESCRIPTION AND IDENTIFICATIONS-----	10
● ASSEMBLY AND OPERATING INSTRUCTIONS-----	11
● CARE AND CLEANING-----	17
● TROUBLE SHOOTING-----	18
● DECLARATION OF CONFORMITY / PERFORMANCE-----	19
● ENVIRONMENTAL INFORMATION-----	20
● GUARANTEE-----	21
● CUSTOMER SUPPORT-----	21

WHAT'S IN THE BOX



Trigger gun



Pressure hose



Turbo lance



Foam sprayer



Water hose connector



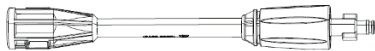
Adjustable spray lance



Trigger gun holder



Power cord hook



Extension lance



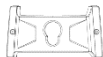
Nozzle cleaning needle



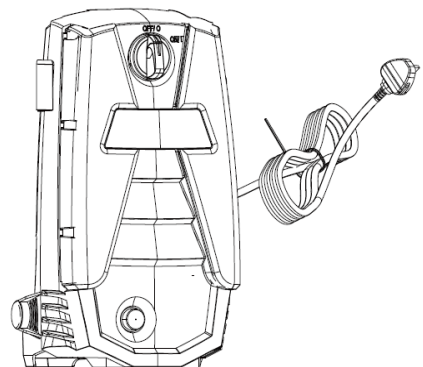
Handle



Screw x4



Accessories holder



Machine body

If you do not have all these items, please contact:
www.toolstation.com/contact
Telephone 0808 100 7211 Mobile friendly 0330 333 3303
Email info@toolstation.com

TOOLS REQUIRED

PH2 Screwdriver

SPECIFICATIONS

- 230V~50Hz
- Max pressure:108Bar(10.8Mpa)
- Max flow:7 L/min
- Auto stop/start function
- On-board accessory storage
- 6 m PVC high-pressure hose
- 5 m Power cord

TECHNICAL DATA

Model	YLQ4630H-110A
Rated Voltage	230V~50Hz
Rated Power Rate	1400W
Plug	BS plug
Power Cord Length(mm)	5000
Power Cord Spec	H05VV-F 2*0.75mm ²
Dimensions (H x W x D-mm) approx.	469*210*325
Weight approx.(g)	5000
Foam sprayer tank-volume(ml)	350
Max water temperature °C	60
Protection Class	II
Degree of protection	IPX5
Rated pressure	7.2Mpa
Max(Allowable) pressure	10.8Mpa
Rated flow	4.8L/min
Max inlet pressure	0.7Mpa
Sound pressure level	LpA=76.7 dB(A)
Uncertainty	KpA=3dB
Sound power level	LwA=88.6dB (A)
Hand arm vibration a _h	2.05m/s ²
Uncertainty K	1.5m/s ²

EXPLANATIONS AND SYMBOLS, CAUTIONS AND WARNINGS



Wear eye protection.



Wear protective gloves.



Switch the product off and disconnect it from the power supply before assembly, cleaning, adjustments, maintenance, storage and transportation.



Wear protective, slip-resistant footwear.



Always ensure that other people and pets remain at a safe distance from the product when it is in operation. In general, children must not come near the area where the product is.



Local regulations can prohibit connection of the product to drinking water supply equipment.



Do not direct the water jet onto people, animals, electrical equipment or onto the product itself.



Do not reach the patio cleaner as long as the motor is running.
Wait until all components have completely stopped before touching them.



Guaranteed sound power level value in dB.



This product is of protection class II. That means it is equipped with enhanced or double insulation.



UK Conformity Assessed



The product complies with the applicable European directives and an evaluation method of conformity for these directives was done.



WEEE symbol. Waste electrical products should not be disposed of with household waste. Please recycle where facilities exist. Check with your Local Authority or local store for recycling advice.

IMPORTANT SAFETY WARNINGS

- Product shall not be used by children. Children should be supervised to ensure that they do not play with the product.
- This product can be used by people with reduced physical, sensory or mental capabilities or lack of experience and knowledge if they have been given supervision or instruction concerning the use of the product in a safe way and understand the hazards involved.
- If the power cord is damaged, it must be replaced by the manufacturer, its service agent or similarly qualified persons in order to avoid a safety hazard.
- **WARNING:** This product has been designed for use with the cleaning agent supplied or recommended by the manufacturer. The use of other cleaning agents or chemicals may adversely affect the safety of the product.
- **WARNING:** High-pressure jets can be dangerous if subject to misuse. Never direct the jet at persons, live electrical equipment or the product itself.
- **WARNING:** Do not use the product within range of persons unless they wear protective clothing.
- **WARNING:** Wear appropriate Personnel Protection Equipment (PPE) while operating the product.

- **WARNING:** Do not direct the jet against yourself or others in order to clean clothes or foot-wear.
- **WARNING:** Risk of explosion – Do not spray flammable liquids.
- This product shall not be used by children or untrained personnel.
- **WARNING:** High-pressure hoses, fittings and couplings are important for the safety of the product. Use only hoses, fittings and couplings recommended by the manufacturer.
- **WARNING:** Only use original spare parts from the manufacturer or approved by the manufacturer to ensure product safety. The use of non-original accessories and any other accessories not specifically intended for the model in question is prohibited.
- **WARNING:** Consider water that has flown through backflow preventers to be non-potable.
- **WARNING:** Switch the product off and disconnect it from the power supply removing the power plug from the socket outlet before assembly, cleaning, adjustments, maintenance, storage and transportation or converting the product to another function.
- **WARNING:** Do not use the product if the power cord or any part of the product is damaged, e. g. safety devices, high-pressure hoses, trigger gun. Never use the product if the high-pressure hose is damaged.
- **WARNING:** Inadequate extension cords can be dangerous. If an extension cord is used, it shall be suitable for outdoor use, and the connection has to be kept dry and off the ground. The plug and socket must be of watertight construction. It is recommended that this is accomplished by means of a cord reel which keeps the socket at least 60 mm above the ground.
- **WARNING:** Always switch off the mains disconnecting switch when leaving the product unattended.
- Have the electric supply connection to be made by a qualified electrician and in compliance with IEC 60364-1. It is recommended that the electric supply to this product should include either a residual current device that will interrupt the supply if the leakage current to earth exceeds 30 mA for 30 ms.
- Never use the product with inflammable or toxic liquids, or liquids with characteristics incompatible with its proper operation.
- Never use the product outdoors in the rain.
- Never touch the plug and/or socket with wet hands.
- Never lock the gun trigger in the operating position.
- Check that the product is fitted with its rating label, contact your dealer

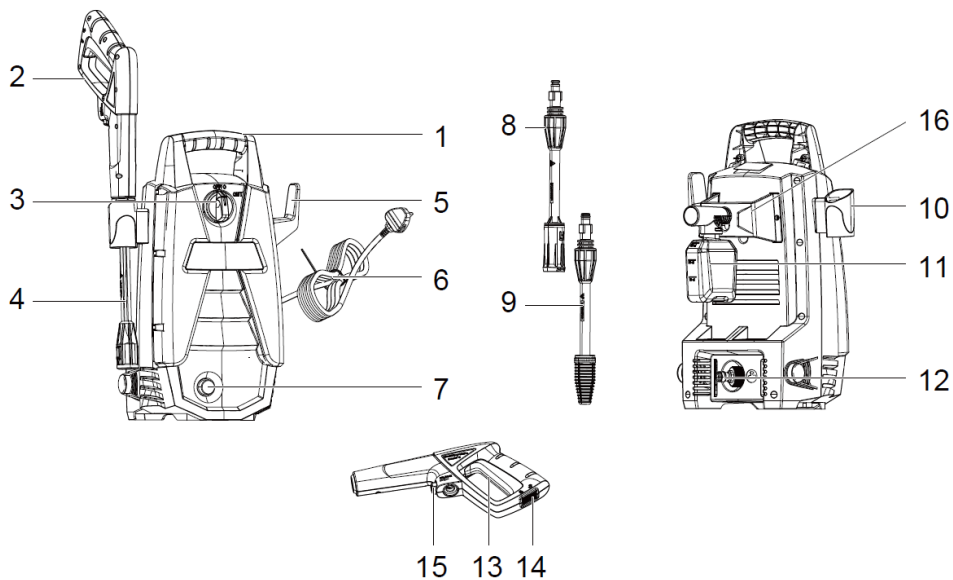
if it is missing. Products without rating label must not be used, since they cannot be identified and are potentially hazardous.

- Never tamper with or adjust the setting of the safety valve or the safety devices.
- Never change the original diameter of the adjustable nozzle.
- Never leave the product unattended when it is connected to the power supply.
- Never move the product by pulling on the electrical power cord.
- Do not allow vehicles to drive over the pressure hose.
- Do not move the product by pulling on the pressure hose.
- When directed towards tires, tire valves or other pressurized components, the high-pressure jet is potentially dangerous. Do not apply a jet stream and always keep the nozzle at a distance of at least 30 cm during cleaning.
- Protect all electrical conductors against the water jet.
- During start-up, the product may generate interference on the electricity supply system.
- High-pressure may cause parts to rebound: wear all the protective clothing and equipment needed to ensure the operator's safety.
- Be aware of kick-back: grip the gun firmly when pulling the trigger.
- Comply with the regulations of the local water supply authority. Under BS EN 12729 (Type BA) the product can be connected directly to the mains drinking water supply only if the supply hose is fitted with a backflow preventer device with drainage facility.
- Have maintenance and/or repair work on electrical components to be carried out by qualified staff.
- Discharge residual pressure before disconnecting the hose from the product.
- Check before each use, and at regular intervals, that all metal fasteners are tight and the product's components are in good condition; inspect for broken or worn parts.
- Use only detergents compatible with the high-pressure hose / electrical power cord cladding materials.
- Use only authorized electrical extension cords with suitable conductor gauge.
- To reduce the impact of noise and vibration emission, limit the time of operation, use low-vibration and low-noise operating modes as well as wear personal protective equipment.
- Take the following points into account to minimize the vibration and noise exposure risks: Only use the product as intended by its design

and these instructions. Ensure that the product is in good condition and well maintained. Use correct accessories for the product and ensure they in good condition. Keep tight grip on the handles/grip surface. Maintain this product in accordance with these instructions and keep it well lubricated (where appropriate). Plan your work schedule to spread any high vibration tool use across a longer period of time.

- Familiarize yourself with the use of this product by means of this instruction manual. Memorize the safety directions and follow them to the letter. This will help to prevent risks and hazards.
- Always be alert when using this product so that you can recognize and handle risks early. Fast intervention can prevent serious injury and damage to property.
- Switch off and disconnect from the power supply if there are malfunctions. Have the garden power tool checked by a qualified professional and repaired, if necessary, before you operate it again.
- Even if you are operating this product in accordance with all the safety requirements, potential risks of injury and damage remain. The following dangers can arise in connection with the structure and design of this product: Health defects resulting from vibration emission if the product is being used over long periods of time or not adequately managed and properly maintained. Danger of injury and property damage caused by flying objects. Injuries and damage to property due to broken accessories or the sudden impact of hidden objects during use.
- **WARNING! This product produces an electromagnetic field during operation! This field may under some circumstances interfere with active or passive medical implants! To reduce the risk of serious or fatal injury, we recommend persons with medical implants to consult their doctor and the medical implant manufacturer before operating this product!**

PRODUCT DESCRIPTION AND IDENTIFICATIONS



1. Handle

2. Trigger gun

3. On/off switch ("ON/I"/"OFF/O")

4. Extension lance

5. Power cord hook

6. Power cord

7. Water outlet

8. Adjustable spray lance

9. Turbo lance

10. Trigger gun holder

11. Foam sprayer

12. Water inlet

13. Trigger gun lever

14. Trigger gun lever lock

15. Trigger gun hose release

16. Accessories holder

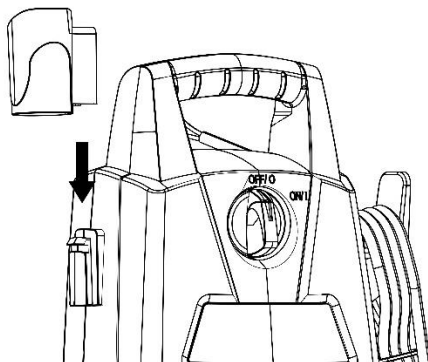
ASSEMBLY AND OPERATING INSTRUCTIONS

WARNING! The product and the packaging are not children's toys! Children must not play with plastic small parts! There is a danger of choking and suffocation!

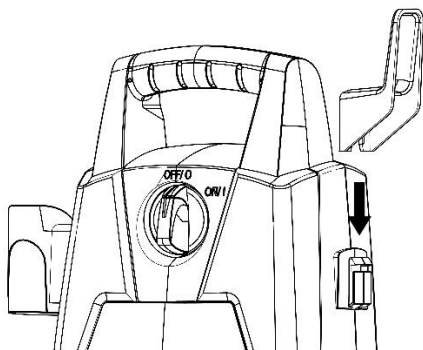
Assemble the pressure washer

- Unpack all parts and lay them on a flat, stable surface.
- Remove all packing materials and shipping devices, if applicable.
- Make sure the delivery contents are complete and free of any damage. If you find that parts are missing or show damage do not use the product but contact your dealer. Using an incomplete or damaged product represents a hazard to people and property.
- Ensure that you have all the accessories and tools needed for assembly and operation. This also includes suitable personal protective equipment.
- Use this pressure washer for private households only:
- If connection is made to a potable water system, the system shall be protected against backflow.
- This high-pressure cleaner is designated with a rated input current. The intended use of this product covers the cleaning of vehicles, buildings, terraces, facades and garden equipment using clean water and biodegradable chemical detergents. Like-wise the product can be used to clean paving slabs or rain gutters.
- This product may not be used to clean clothing, shoes and other textiles. The water jet should not be directed against persons. Animals, any electrical equipment or on the product itself. Do not flush any objects which contain health hazardous materials. The product must not be run with inflammable, explosive and toxic liquids.
- For safety reasons it is essential to read the entire instruction manual before first operation and to observe all the instructions there-in.

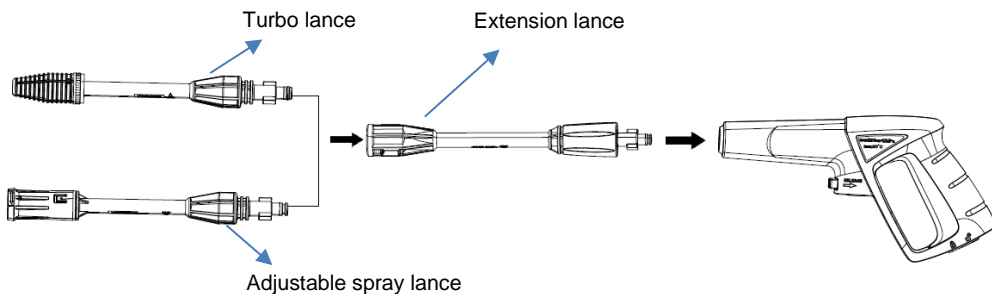
- Mount loose parts delivered with appliance prior to start-up. Slide the trigger gun holder into position of unit left.



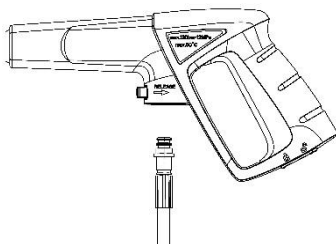
- Slide the power cord hook into position of unit left.



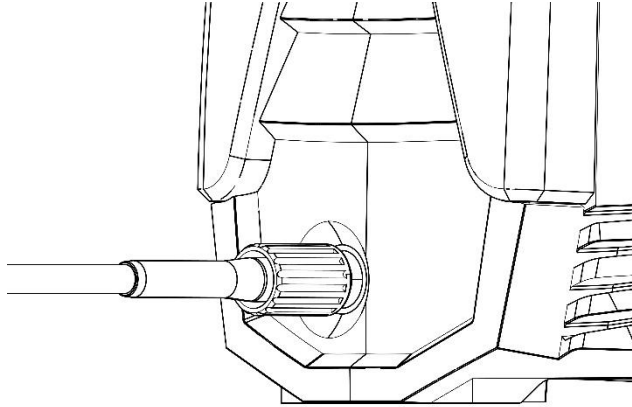
- Installing the spray wand: Fit the Turbo lance or Adjustable spray lance to extension lance to the trigger gun and rotate them until the three parts are completely locked.
- Align the tongues of the Extension lance with the grooves of the lance connection port of the spray gun and insert it. There is a spring in the connection port of the spray gun. The spring has to be pressed down and might need some pressure.
- Securely fit the Extension lance by turning it clockwise and letting it lock into place.
- To remove the Extension lance, press it towards the lance connection port of the spray gun and turn it anticlockwise to remove it.
- Fit the Turbo lance or Adjustable spray lance to Extension lance in the same way of fitting Extension lance to the trigger gun.



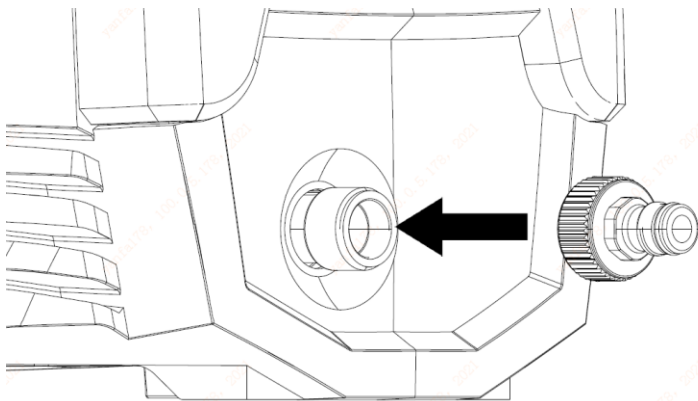
- Connect the high-pressure hose to the trigger gun: Push the hose release and hold it in position. Insert the connector of the pressure hose into the hose connection port of the spray gun. Ensure it snaps in place. Release the hose release afterwards.



- Connect the high-pressure hose to the water outlet: Connect the other end of the high-pressure hose to the water outlet on the washer and twist the black rotatable end-piece as indicated to secure the connection.



- Connect the garden hose to the water inlet: Connect the water hose connector to the water inlet of the pressure washer, then thread your garden hose into the water hose connector. The water hose connector is supplied with an insulating washer. The water hose connector contains a filter to protect the product against larger particles. Ensure that this is fixed appropriately. Do not use the water hose connector without a washer and filter. Impurities in the water can damage the high-pressure pump and the accessories.



Start up the pressure washer

- Park the appliance on an even surface.
- Make sure the on/off switch is in its off position "OFF/O".
- Connection to water supply. **WARNING!** Although this product is suitable for attachment to the drinking water supply local regulations may prohibit the connection to drinking water connections! Observe the regulations of your local utility company when connecting the product to a water supply line! If it is prohibited to connect to the drinking water facility, you must use a backflow preventer which corresponds to BS EN 12729 Type BA or BS EN 61770!
- Attach a suitable water hose (not included) to the water supply and the other end to the water hose connector.
- Insert the mains plug into the socket. **WARNING!** Check the voltage! The voltage must comply with the information on the rating label! If using an extension cord it must be suitable for outdoor use with sockets protected against water splashing. Ensure the extension cord is of the proper size and type for your product ($\geq 1.5 \text{ mm}^2$)! Always use a residual current device (RCD) protected supply.
- Start up the device as follows prior to operation:
 - Turn on the appliance by switching the switch in its on position "ON/I".
 - Unlock the lever of the trigger gun.
 - Push the lever of the trigger gun, the device will switch on.
 - Let the device run (max. 2 minutes) until the water exits the trigger gun without bubbles.
 - Release the lever of the trigger gun.
 - Lock the lever of the trigger gun.

High pressure washing operation

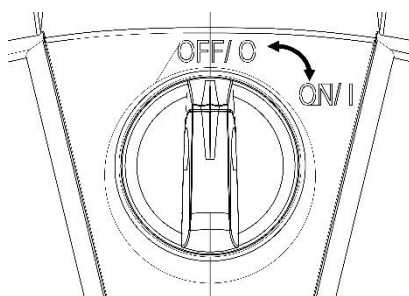
- Dry running of more than 2 minutes might lead to damage of the high-pressure pump. If the appliance does not build up pressure within 2 minutes, switch the appliance off and proceed in accordance with the instructions in Chapter "Troubleshooting"
- Do not operate the product when the ambient temperature is below 0 °C. Water will freeze inside the product and damage it.
- Keep a distance of at least 30 cm when using the jet for cleaning painted surfaces to avoid damage.
- Make sure the on/off switch is set to "OFF/O" position and insert the plug into a properly installed socket.
- The washer must be used on a secure and stable surface in a standing, upright position.



- The spray gun is equipped with a trigger lock in order to prevent accidental activation of the trigger. When the trigger lock is in locked position, the spray gun trigger will be disabled. When the trigger lock is in unlocked position, the spray gun trigger will be enabled and ready for use. Use the safety trigger lock, when the product is not in use, when it is left unattended or during assembly of additional accessories.

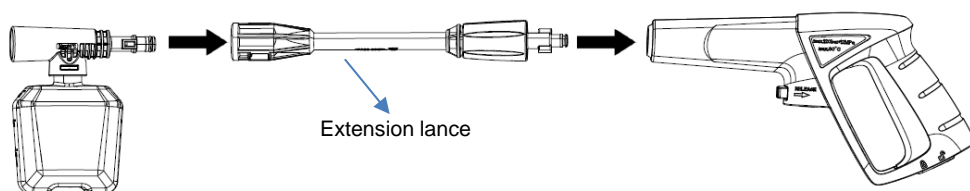
- Automatic motor start/stop device is operated by the spray gun trigger. When the trigger is released, the dynamic pressure automatically cuts out the motor. When the trigger is depressed the automatic drop in pressure starts the motor and the pressure is restored after a very slight delay.
- Connect the product to power and water supply as described.
 - Open the water supply.
 - Hold the spray gun with both hands.
 - Direct the nozzle of the chosen accessory away from you towards the surface to be cleaned.
 - Unlock the trigger and press it until a constant amount of water flows through the nozzle, to allow air trapped in the hose to escape.
 - Release the trigger.
 - Turn the on/off switch to “ON/I” (on). Hold the spray gun with both hands. Direct the water jet to the object to be cleaned and press the trigger. Release the lever of the trigger gun, the device will switch off again and stop the water jet. High pressure remains in the system.

WARNING! Beware of kickback when pressing the trigger! Always hold the spray gun with both hands!



Operation with detergent

- Only use mild, environmentally friendly detergents. Never use aggressive chemicals, abrasive detergents or similar to avoid damage to your health, the product and the environment.
- Detergent can only be added when the device is operated in low pressure mode.
- When using detergents, the material data safety sheet issued by the detergent manufacturer must be adhered, especially the instructions regarding personal protective equipment. Gently pull the onboard detergent tank out of its storage position. Remove the cap, fill the tank with detergent designed specifically for use with pressure washers until the level reaches the upper graduation mark
- To connect the foam sprayer to ex to the trigger gun, then twist counterclockwise until the three parts are completely locked.



- Turn on the pressure cleaner. Press the trigger to operate the unit. The liquid detergent will automatically mix with water and be discharged through the nozzle.

Tips

- **WARNING!** Prevent water from penetrating the air vents of the product to minimize the risk of damage to the product and to reduce the risk of electric shock to the operator!
- When dealing with vertical surfaces work from the bottom upwards. Rinse from the bottom upward, use the high-pressure jet at a minimum distance of 30 cm at 45° angle and then from the top downward.
- In some cases, scrubbing with brushes is needed to remove dirt. High-pressure is not always the best solution for good washing results, since it may damage some surfaces. The finest (thinnest jet) adjustable nozzle jet setting should not be used on delicate or painted parts, or on pressurized components (e. g. tires, inflation valves, etc.).
- Effective washing depends on both the pressure and volume of the water used, to the same degree.
- Begin by spraying in a testing area free and clear of people and objects.

Wood and vinyl decks

- Reduce your work area to smaller sections and clean each section one at a time for optimal results.
- Rinse at high pressure using fan spray keeping the nozzle at least 15-25 cm from the cleaning surface.
- Maintain a further distance from the cleaning area when using jet spray.
- Caution! Increase the distance from the cleaning area for softer woods.

Cement patios, stone, and brick

- Rinse at high pressure using fan spray in a sweeping motion keeping the nozzle at least 7-15 cm from the cleaning surface.
- Maintain a further distance from the cleaning area when using jet spray.

Cars, boats, and motorcycles

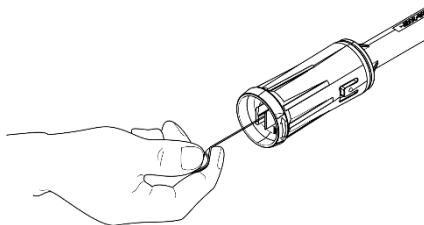
- Clean one side at a time to achieve the best results.
- Rinse at high pressure using fan spray in a sweeping motion keeping the nozzle at least 20 cm from the cleaning surface. Maintain a further distance from the cleaning area when using jet spray.
- Wipe surface dry for a polished finish.
- Do not clean the engine with this product!

After use

- **WARNING!** Only separate the high-pressure hose from the spray gun and the water hose from the product when no more pressure exists in the system! Also ensure that the product is turned off and separated from electrical supply!
- Release the trigger and lock it.
- Turn the on/off switch to its off position "OFF/O".
- Turn off the water tap.
- Unlock and press the trigger to release the pressure still present in the product.
- Lock the trigger.
- Disconnect the product from the power supply.
- Separate the water hose from the water supply and then from the water hose connector.
- Wind the pressure hose and place it onto the pressure hose holder.
- Ensure that the hose is not bent or twisted but winded up evenly.
- Dismantle the accessories in the reverse sequence of the assembly instructions if you are not going to use this product for a long period of time.
- Check, clean and store the product as described below.

CARE AND CLEANING

- **WARNING!** Always switch the product off, disconnect the product from the water and power supply and let the product cool down before performing inspection, maintenance and cleaning work!
- Keep the product clean. Remove debris from it after each use and before storage.
- Regular and proper cleaning will help ensure safe use and prolong the life of the product.
- Inspect the product before each use for worn and damaged parts. Do not operate it if you find broken and worn parts.
- Clean the product with a dry cloth. Use a brush for areas that are hard to reach.
- In particular clean the air vents after every use with a cloth and brush.
- Remove stubborn dirt with high pressure air (max. 3 bar).
- Do not use chemical, alkaline, abrasive or other aggressive detergents or disinfectants to clean this product as they might be harmful to its surfaces.
- Check for worn or damaged parts. Replace worn parts as necessary or contact an authorized service centre for repair before using the product again.
- Before and after each use, check the product and accessories (or attachments) for wear and damage. If required, exchange them for new ones as described in this instruction manual. Observe the technical requirements.
- Park the machine on an even surface.
- Detach spray lance from the trigger gun.
- Push the disconnect button on the trigger gun and pull the high-pressure hose out of the trigger gun.
- Place the trigger gun into the storage for the trigger gun.
- Put both spray lances into the storage for the spray lance.
- Coil the high-pressure hose and hang it over the hose storage.
- Store the mains connection in the accessory compartment.
- Prior to extended storage periods, as during the winter, also observe the instructions in the care section.
- Always store the pressure cleaner, parts, and accessories in a place that is inaccessible to children. The ideal storage temperature is between 10 °C and 30 °C. Store the power washer indoors to prevent the water in the unit from expanding under freezing conditions.
- We recommend using the original package for storage or covering the product with a suitable cloth or enclosure to protect it against dust.
- **WARNING!** Only perform repairs and maintenance work according to these instructions! All further works must be performed by a qualified specialist!
- **High-pressure hose:** The high-pressure hose is specially constructed with reinforced walls it can be easily damaged and should be stored carefully. Do not kink. Do not drive vehicles over the hose. Do not expose the hose to sharp edges or corners. Misuse will lead to ballooning or premature failure and will invalidate warranty.
- **Nozzle:** Remove any dirt deposits from the nozzle hole using the cleaning needle



- **Filter:** Remove the water hose connector from the water inlet. Disassemble the water hose connector. Rinse the parts with clear water.
- **Frost protection:** Appliance and accessories that are not completely drained can be damaged by frost. Completely drain appliance and accessories and protect them against frost. Store the appliance and the entire accessories in a frost-free room.

TROUBLE SHOOTING

Use this section to help you to try and solve any problems you may have:

PROBLEM	POSSIBLE CAUSES	REMEDIES
1. Product does not start	1.1 Not connected to power supply 1.2 Power cord or plug is defective 1.3 Other electrical defect to the product 1.4 Trigger lock has not been deactivated 1.5 Nozzle clogged	1.1 Connect to power supply 1.2 Check by a specialist electrician 1.3 Check by a specialist electrician 1.4 Unlock trigger 1.5 Clean nozzle
2. Product does not reach full power	2.1 Extension cord not suitable for operation with this product 2.2 Power source (e. g. generator) has too low voltage 2.3 Air vents are blocked 2.4 Insufficient water supply 2.5 Filter is dirty 2.6 Hose partly blocked 2.7 Nozzle partly blocked 2.8 Pressure hose leaking 2.9 System not airtight	2.1 Use a proper extension cord 2.2 Connect to another power source 2.3 Clean the air vents 2.4 Check water supply 2.5 Check filter 2.6 Check hose 2.7 Check nozzle 2.8 Replace pressure hose 2.9 Tighten all connections
3. No water jet	3.1 Trigger is not pressed 3.2 Trigger lock is activated 3.3 No water supply 3.4 Filter is dirty 3.5 Hose blocked 3.6 Nozzle blocked	3.1 Press the trigger 3.2 Deactivate the trigger lock 3.3 Check water supply 3.4 Clean filter 3.5 Check hose 3.6 Check nozzle
4. Water leakage from product	4.1 Small leakage in the product related to its technical conditions are not a problem	4.1 Have electrician examine in case of strong leakage
5. No detergent taken in	5.1 Detergent too dense 5.2 Deposits or restriction in detergent circuit 5.3 Variable spray nozzle not set on low pressure	5.1 Dilute with water 5.2 Flush with clean water and eliminate any restrictions. 5.3 Set the variable spray nozzle on low pressure
6. Excessive vibration or noise	6.1 Water inlet volume too low 6.2 Bolts/nuts are loose	6.1 Increase water inlet quantity 6.2 Tighten bolts/nuts

NOTE: IF YOU EXPERIENCE A PROBLEM WITH YOUR APPLIANCE, PLEASE DO NOT ATTEMPT TO OPEN OR REPAIR THE APPLIANCE YOURSELF. DOING SO MAY VOID THE WARRANTY AND COULD CAUSE DAMAGE OR PERSONAL INJURY. IF THE PROBLEM STILL PERSISTS, PLEASE CONTACT US BY REFERRING TO THE SERVICE & SUPPORT INFORMATION ON THE FOLLOWING PAGE.

DECLARATION OF CONFORMITY / PERFORMANCE



Product Code 44787(YLQ4630H-110A)
Product Description High-pressure Washer 1400W

1. Toolstation Limited, Express Park, Bristol Road, Bridgwater, Somerset TA6 4RN

This declaration of conformity is issued under the sole responsibility of Toolstation

2. Object of the declaration

The object of the declaration described above is in conformity with the relevant Community harmonization legislation:

- Supply of Machinery (Safety) Regulations 2008 (2006/42/EC)
- Electromagnetic Compatibility Regulations 2016 (2014/30/EU)
- The Restriction of the Use of Certain Hazardous Substances in Electrical and Electronic Equipment Regulations 2012 (2011/65/EU&(EU)2015/863)
- Noise Emission in the Environment by Equipment for use Outdoors Regulations 2001 2000/14/EC amended by 2005/88/EC

Conformity Assessment Procedure as per Annex V
Measured Sound Power Level 88.6 dB(A)
Declared Guaranteed Sound Power Level 92 dB(A)

3. References to the relevant standards used (or references to the specifications in relation to which conformity is declared:

- BS EN 60335-1
- BS EN 60335-2-79
- BS EN 62233
- BS EN 55014-1
- BS EN 55014-2
- BS EN 61000-3-2
- BS EN 61000-3-3

4. Additional information:

Signed for and on behalf of Toolstation Limited

Paul Field

ENVIRONMENTAL INFORMATION



The symbol on the product or its packaging indicates that this product must not be disposed of with your other household waste. Instead, it is your responsibility to dispose of your waste equipment by handing it over to a designated collection point for the recycling of waste electrical and electronic equipment. The separate collection and recycling of your waste equipment at the time of disposal will help conserve natural resources and ensure that it is recycled in a manner that protects human health and the environment. For more information about where you can drop off your waste for recycling, please contact your local authority, or where you purchased your product.

GUARANTEE

Toolstation products deliver reliable service for normal, household use in domestic settings. All Toolstation products are individually tested before leaving the factory.

If you are a consumer and you experience a problem with your Toolstation product, which is found to be defective due to faulty materials or workmanship within the Guarantee Period, this Toolstation Guarantee will cover repair or - at the discretion of Toolstation – replacement with a functionally equivalent Toolstation product.

Your product is under guarantee for 2 years from the date of purchase or the date of delivery of the product, if later.

The guarantee is subject to the following provisions:

- The guarantee does not cover accidental damage, misuse, cabinet parts, knobs, or consumable items.
- The product must be correctly installed and operated in accordance with the instructions contained in this manual.
- It must be used solely for domestic purpose.
- The guarantee will be rendered invalid if the product is re-sold or has been damaged by inexpert repair.
- Specifications are subject to change without notice.
- The manufacturer disclaims any liability for the incidental or consequential damages.
- The guarantee is in addition to, and does not diminish your statutory or legal rights.

CUSTOMER SUPPORT

www.toolstation.com/contact

Call us 0808 100 7211

Mobile friendly 0330 333 3303

Email: info@toolstation.com

Made in China

