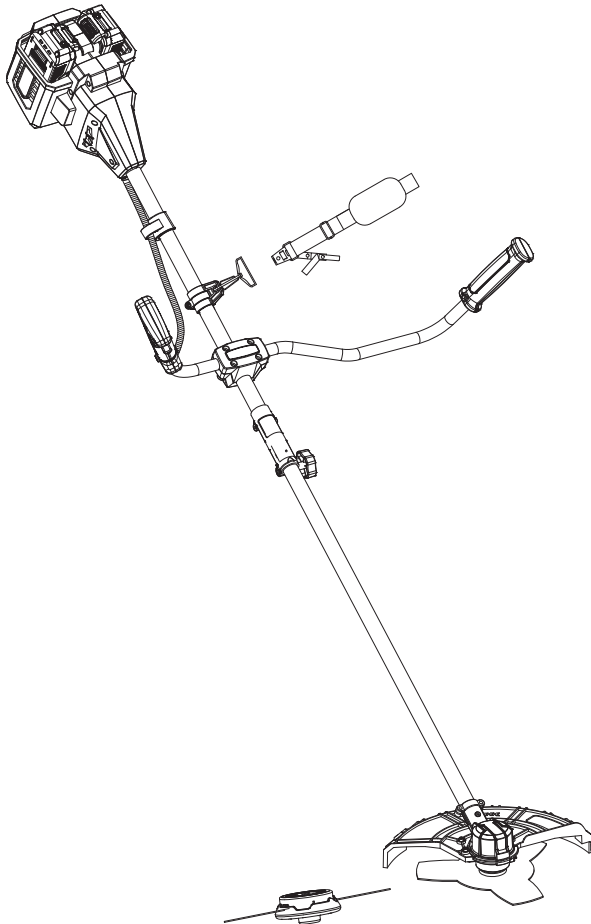




Original User's Instructions

36V (2 x 18V) 2 in 1 Brushless Cordless Brush Cutter & Line Trimmer

SKU: 72785



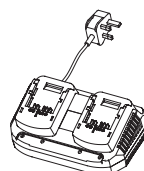
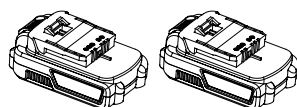
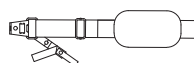
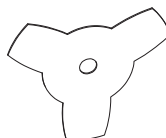
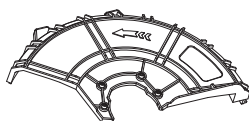
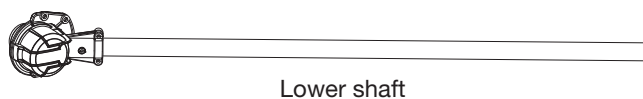
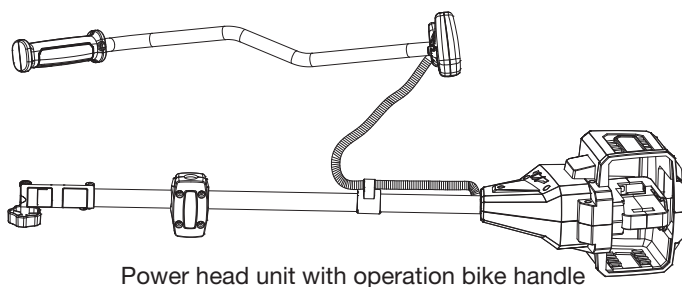
READ BEFORE USE

PLEASE KEEP THESE INSTRUCTIONS FOR FURTHER REFERENCE

CONTENT

• WHAT'S IN THE BOX -----	3
• SPECIFICATIONS -----	4
• EXPLANATIONS AND SYMBOLS, CAUTIONS AND WARNINGS -----	6
• IMPORTANT SAFETY WARNINGS -----	8
• PRODUCT DESCRIPTION AND IDENTIFICATIONS -----	22
• ASSEMBLY AND OPERATING INSTRUCTIONS -----	23
• CARE AND CLEANING -----	36
• TROUBLE SHOOTING -----	39
• DECLARATION OF CONFORMITY / PERFORMANCE -----	41
• ENVIRONMENTAL INFORMATION -----	42
• GUARANTEE -----	43
• CUSTOMER SUPPORT -----	43

WHAT'S IN THE BOX



If you do not have all these items, please contact:

www.coreservice.co.uk

Hotline: +44 01904 947568

Email: support@coreservice.co.uk

SPECIFICATION

Technical Data	
Model	GY224705
Nominal voltage of product with battery	36V d.c./2*2.0Ah Li-ion
No load speed	5800/min
Net weight (Approx.)	
Brush Cutter	4.5kgs
Line Trimmer	4.47kgs
Brush cutter	
Sound pressure level	$L_{pA}=79.1\text{dB(A)}$, $K=3\text{dB(A)}$
Sound power level	$L_{wA}=88.4\text{dB(A)}$, $K=2.31\text{dB(A)}$
Cutting width	255mm
Line trimmer	
Sound pressure level	$L_{pA}=77.9\text{dB(A)}$, $K=3\text{dB(A)}$
Sound power level	$L_{wA}=83.4\text{dB(A)}$, $K=2.04\text{dB(A)}$
Line diameter	1.6mm
Line length	2*3m
Cutting width	340mm
Vibration	Left handle: $a_h=1.35\text{m/s}^2$, Right handle: $a_h=1.11\text{m/s}^2$, $K=1.5\text{m/s}^2$
Charger	
Model No.	B0Q-SP07-2040ZB
Input voltage & power	220-240V AC, 50/60Hz 120W
Output voltage & current	21V, 4A
Battery pack	
Model No.	B0P-SP07-18ZM
Voltage	18V Li-ion
Capacity	2.0Ah
Charging time (approx.)	60mins
Protection class of charger	Class II

Note: The above specifications are the MAXIMUM capacities of the tool. Voltage measured without workload. Initial battery voltage reaches 20 Volts. Nominal voltage is 18 Volts.

The declared vibration value has been measured in accordance with a standard test method and may be used for comparing one tool with another.

The declared vibration value may also be used in a preliminary assessment of exposure.

WARNING! The vibration emission value during actual use of the tool can differ from the declared value depending on the ways in which the tool is used. Identify safety measures to protect the operator that are based on an estimation of exposure in the actual conditions of use (taking account of all parts of the operating cycle such as the times when the tool is switched off and when it is running idle in addition to the trigger time).

The sound intensity level for the operator may exceed 85dB(A) and ear protection measures are necessary.

EXPLANATIONS AND SYMBOLS, CAUTIONS AND WARNINGS



Warning!



Read the instructions for use prior to operating the machine.



Keep bystanders away.



Wear eye and ear protection.



Wear head protection.



Wear protective gloves.



Wear safety shoes.



Beware of throw object



Do not expose the machine to water or operate it in the rain.



This unit is not intended for use with a toothed saw type blade.



Guaranteed sound power level data (94dB).



Keep by-standers well away. They could be injured by flung out objects.



Do not throw into water.



Do not throw on fire.



Do not subject the battery to strong sunlight over long periods of time. Do not leave on a heater (max.45°C).



Batteries contain Li-ion. Do not dispose of waste batteries in domestic waste. Contact local authority to find out how to dispose of batteries.

Li-Ion



The charger is for indoor use only.



Double insulation.

T5A



Protective 5A limited



WEEE symbol. Waste electrical products should not be disposed of with household waste. Please recycle where facilities exist. Check with your Local Authority or local store for recycling advice.



The product complies with the applicable European directives and an evaluation method of conformity for these directives was done.



UK conformity assessed

IMPORTANT SAFETY WARNINGS

GENERAL POWER TOOL SAFETY WARNINGS



Warning: Please read the following instructions carefully, failure to do so could lead to serious personal injury. When using the electric brush cutter and line trimmer, basic safety precautions, including the following, should always be followed to reduce the risk of fire, electric shock and personal injury. Read all these instructions before operating this product and save these instructions.

The term “power tool” in the warnings refers to your mains-operated (corded) power tool or battery-operated (cordless) power tool.

Become familiar with the owner’s manual before attempting to operate this machine.

- This machine is not intended for use by persons (including children) with reduced physical, sensory or mental capabilities, or lack of experience and knowledge, unless they have been given supervision or instruction concerning use of the appliance by a person responsible for their safety.
- Children should be supervised to ensure that they do not play with the appliance.
- The machine is only to be used with the power supply unit provided with the machine.

Important! Read carefully before use, keep for further reference.

Work Area Safety

- Keep work area clean and well lit. Cluttered or dark areas invite accidents.
- Do not operate power tools in explosive atmospheres, such as in the presence of flammable liquids, gases or dust. Power tools create sparks which may ignite the dust or fumes.
- Keep children and bystanders away while operating a power tool. Distractions can cause you to lose control.

Electrical Safety

- Power tool plugs must match the outlet. Never modify the plug in any way. Do not use any adapter plugs with earthed (grounded) power tools. Unmodified plugs and matching outlets will reduce risk of electric shock.
- Avoid body contact with earthed or grounded surfaces, such as pipes, radiators, ranges and refrigerators. There is an increased risk of electric shock if your body is earthed or grounded.
- Do not expose power tools to rain or wet conditions. Water entering a power tool will increase the risk of electric shock.
- Do not abuse the cord. Never use the cord for carrying, pulling or unplugging the power tool. Keep cord away from heat, oil, sharp edges or moving parts. Damaged or entangled cords increase the risk of electric shock.
- When operating a power tool outdoors, use an extension cord suitable for outdoor use. Use of a cord suitable for outdoor use reduces the risk of electric shock.
- If operating a power tool in a damp location is unavoidable, use a residual current device (RCD) protected supply. Use of an RCD reduces the risk of electric shock.

Personal Safety

- Stay alert, watch what you are doing and use common sense when operating a power tool. Do not use a power tool while you are tired or under the influence of drugs, alcohol or medication. A moment of inattention while operating power tools may result in serious personal injury.
- Use personal protective equipment. Always wear eye protection. Protective equipment such as dust mask, non-skid safety shoes, hard hat, or hearing protection used for appropriate conditions will reduce personal injuries.
- Prevent unintentional starting. Ensure the switch is in the off-position before connecting to power source and/or battery pack, picking up or carrying the tool. Carrying power tools with your finger on the switch or activating power tools that have the switch on invites accidents.
- Remove any adjusting key or wrench before turning the power tool on. A wrench or a key left attached to a rotating part of the power tool may result in personal injury.
- Do not overreach. Keep proper footing and balance at all times. This enables better control of the power tool in unexpected situations.
- Dress properly. Do not wear loose clothing or jewelry. Keep your hair and clothing away from moving parts. Loose clothes, jewelry or long hair can be caught in moving parts.
- If the cutting mechanism strikes any foreign object or the product starts making any and allow the product to stop. Switch off the machine and remove battery packs and take the following steps:
 - Inspect for damage.
 - Check and tighten any loose parts.
 - Have any damaged parts replaced or repaired with parts having equivalent specifications.

- If devices are provided for the connection of dust extraction and collection facilities, ensure these are connected and properly used. Use of dust collection can reduce dust-related hazards.
- Do not let familiarity gained from frequent use of tools allow you to become complacent and ignore tool safety principles. A careless action can cause severe injury within a fraction of a second.

Power Tool Use and Care

- Do not force the power tool. Use the correct power tool for your application. The correct power tool will do the job better and safer at the rate for which it was designed.
- Do not use the power tool if the switch does not turn it on and off. Any power tool that cannot be controlled with the switch is dangerous and must be repaired.
- Disconnect the plug from the power source and/or remove the battery packs, if detachable, from the power tool before making any adjustments, changing accessories, or storing power tools. Such preventive safety measures reduce the risk of starting the power tool accidentally.
- Store idle power tools out of the reach of children and do not allow persons unfamiliar with the power tool or these instructions to operate the power tool. Power tools are dangerous in the hands of untrained users.
- Maintain power tools and accessories. Check for misalignment or binding of moving parts, breakage of parts and any other condition that may affect the power tool's operation. If damaged, have the power tool repaired before use. Many accidents are caused by poorly maintained power tools.
- Keep cutting tools sharp and clean. Properly maintained cutting tools with sharp cutting edges are less likely to bind and are easier to control.

- Use the power tool, accessories and tool bits etc. in accordance with these instructions, taking into account the working conditions and the work to be performed. Use of the power tool for operations different from those intended could result in a hazardous situation.
- Keep handles and grasping surfaces dry, clean and free from oil and grease. Slippery handles and grasping surfaces do not allow for safe handling and control of the tool in unexpected situations.

Operation

- This product should not be used for any other purpose than described. Note that national regulations can restrict the use of this product.
- Working with this product is demanding; therefore, ensure you are physically and mentally fit to complete the job safely. Do not use the product when you are tired, ill or under the influence of alcohol or other drugs.
- Pay attention to your posture; always use the provided harness and keep your back straight. Do not overwork yourself. Take regular breaks to ensure concentrated work and full control over the product.
- Keep a firm footing and balance during operation. Always be sure of a safe and secure operating position, whilst using the product. Never use the product standing on steps or a ladder.
- Always wear substantial footwear and long trousers while operating. Do not operate the product when barefoot or wearing open sandals. Wear protective glasses or goggles.
- Thoroughly inspect the area where the product is to be used and remove all objects which can be thrown by the product.
- Before using the product and after any impact, check for signs of wear or damage and repair as necessary.

- Never operate the product with damaged guards or without the guards in place.
- Keep hands and feet away from the cutting means at all times, and especially when switching on the motor.
- Never allow children or people unfamiliar with the instructions to use the product.
- Stop using the product while people, especially children, or pets are nearby.
- Only use the product in daylight or good artificial light.
- Switch off the motor and remove battery packs before:
 - Cleaning or when clearing a blockage.
 - Checking, carrying out maintenance or working on the product.
 - Adjusting the working position of the cutting device.
 - Leaving the product unattended.
- Ensure that the product is correctly located in a designated working position before switch on the motor.
- While operating the product, always ensure that the operating position is safe and secure.
- Do not operate the product with a damaged or excessively worn cutting blades chain or edges.
- Always ensure that all handles and guards are fitted when using the product. Never attempt to use an incomplete product or one fitted with an unauthorised modification.
- Always use two hands to operate a product fitted with two handles.
- Always be aware of your surroundings and stay alert for possible hazards of which you may be aware due to the noise of the product.
- Always ensure that ventilation openings are kept clear of debris.

Maintenance and storage

- Improper maintenance and removal of safety devices leads to hazards causing injuries and damage to property.
- When the product is stopped for servicing, inspection or storage, shut off the power source, remove battery packs and make sure all moving parts have come to a stop. Allow the product to cool before making any inspections, adjustments, etc.
- Always allow the product to cool down before storing.
- When not in use store the product out of the reach of children.
- Use only manufacturers recommended replacement parts and accessories.
- When transporting or storing the product, always fit the transportation guards.
- Correctly secure your product when transporting in a vehicle to prevent turnover, and damage to the product.

Service

- Have your power tool serviced by a qualified repair person using only identical replacement parts. This will ensure that the safety of the power tool is maintained.

Product Safety Warnings

Brush Cutter and Line Trimmer Safety Warnings:

- Use the tool only with specifically designated battery packs. Use of any other battery packs will increase the risk of injury and fire.
- Only operate the product in daylight or in good artificial light.
- Wear protection, where there is a risk of falling objects.
- Wear eye protection (goggles or face shield).
- Wear ear protection.

- Wear foot protection and gloves (on brush cutters).
- Keep a distance between the product and bystanders of at least 15 m.
- Beware of thrown object.
- Take care against injury from any device fitted for trimming the line length. After cutting device line always return the product to its normal operating position before switching on.

Vibration and Noise Reduction

To reduce the impact of noise and vibration emission, limit the time of operation, use low-vibration and low- noise operating modes as well as wear personal protective equipment.

Take the following points into account to minimise the vibration and noise exposure risks:

1. Only use the product as intended by its design and these instructions.
2. Ensure that the product is in good condition and well maintained.
3. Use correct application tools for the product and ensure they in good condition.
4. Keep tight grip on the handles/grip surface.
5. Maintain this product in accordance with these instructions and keep it well lubricated (where appropriate).
6. Plan your work schedule to spread any high vibration tool use across a longer period of time.

The European Physical Agents (Vibration) Directive has been brought in to help reduce hand arm vibration syndrome injuries to users of product's with vibration emission. The directive requires manufacturers and suppliers to provide indicative vibration test results to enable users to make informed decisions as to the period of time a product can be used safely

on a daily basis and the choice of tool. Further advice can be found at www.hse.gov.uk

The declared vibration emission value should be used as a minimum level and should be used with the current guidance on vibration.

Calculating the actual period of the actual period off use can be difficult and the HSE website has further information.

The declared vibration emission been measured in accordance with a standard listed test stated above and may be used to compare one tool with another. The declaration on emission value may also be used in a preliminary assessment of exposure.



WARNING! The vibration emission value during actual use of the power tool can differ from the declared value depending on the ways in which the dependant on the following examples and other variations on how the tool is used:

- How the tool is used and the materials being ground or cut.
- The tool being in good condition and well maintained.
- The use the correct accessory for the tool and ensuring it is sharp and in good condition. The tightness of the grip on the handles.
- And the tool is being used as intended by its design and these instructions.

This tool may cause hand-arm vibration syndrome if its use is not adequately managed.

Emergency

Familiarise yourself with the use of this product by means of this instruction manual. Memorise the safety directions and follow them to the letter. This will help to prevent risks and hazards.

1. Always be alert when using this product, so that you can recognise and handle risks early. Fast intervention can prevent serious injury and damage to property.
2. Switch off and disconnect from the power supply if there are malfunctions. Have the product checked by a qualified professional and repaired, if necessary, before you operate it again.



WARNING! This product produces an electromagnetic field during operation! This field may under some circumstances interfere with active or passive medical implants! To reduce the risk of serious or fatal injury, we recommend persons with medical implants to consult their doctor and the medical implant manufacturer before operating this product.

Residual Risks:

Even with the intended use of the appliance there is always a residual risk, which can not be prevented. According to the type and construction of the appliance the following potential hazards might apply:

- Contact with exposed saw teeth of the saw chain (cutting hazards)
- Access to the rotating saw chain (cutting hazards)
- Unforeseen, abrupt movement of the guide bar (cutting hazards)
- Flying debris from the work piece
- Skin contact with the oil

- Health defects resulting from vibration emission if the product is being used over long periods of time or not adequately managed and properly maintained.
- Injuries and damage to property due to broken accessories or the sudden impact of objects during use.
- Danger of injury and property damage caused by flying objects.
- Loss of hearing, if no required ear protection used during work

Safety Warning For Battery Pack

- Fully charge battery pack before the first use.
- Recharge battery pack when the power output starts to slow. Do not continue to use product when battery capacity level is low.
- To prevent serious damage to the battery pack, charge in temperatures above 5°C or below 45°C. Longest life and best performance can be achieved when battery is charged at room temperature (20 °C ± 5 °C).
- If the battery temperature is hot after use, it must be allowed to cool before putting it into the charging station.
- If the battery pack becomes too hot during charging, disconnect and switch off immediately. Contact the service center directly.
- Do not dismantle, open or shred cells or battery pack.
- Do not short-circuit a battery pack. Do not store battery packs haphazardly in a box or drawer where they may short-circuit each other or be short-circuited by conductive materials. When battery pack is not in use, keep it away from other metal objects, like paper clips, coins, keys, nails, screws or other small metal objects, that can make a connection from one terminal to another. Shorting the battery terminals together may cause burns or a fire.
- Do not carry individual battery packs in your pockets or bag as they could short-circuit against other metal items.

- Do not expose battery pack to heat or fire. Avoid use or storage in direct sunlight for extended periods of time.
- Do not subject battery pack to mechanical shock.
- In the event of battery leakage, do not allow the liquid to come into contact with the skin or eyes. If contact has been made, wash the affected area with copious amounts of water and seek medical advice.
- Should a Li-ion battery catch fire, ensure to use the correct fire extinguisher to combat the fire. Do not throw or spray water on a burning Li-ion battery.
- Keep battery pack clean and dry. Wipe the battery pack terminals with a clean dry cloth if they become dirty.
- Battery pack needs to be charged before use. Always refer to this instruction and use the correct charging procedure.
- Do not maintain battery pack on charge when not in use.
- After extended periods of storage, it may be necessary to charge and discharge the battery pack several times to obtain maximum performance.
- Battery pack gives its best performance when it is operated at normal room temperature ($20\text{ }^{\circ}\text{C} \pm 5\text{ }^{\circ}\text{C}$).
- When disposing of battery packs, keep battery packs of different electrochemical systems separate from each other.
- Recharge only with the charger specified by manufacturer. Do not use any charger other than that specifically provided for use with the equipment. A charger that is suitable for one type of battery pack may create a risk of fire when used with another battery pack.
- Do not use any battery pack which is not designed for use with the equipment.
- Keep battery pack out of the reach of children.
- Retain the original product literature for future reference.
- Remove the battery from the equipment when not in use.

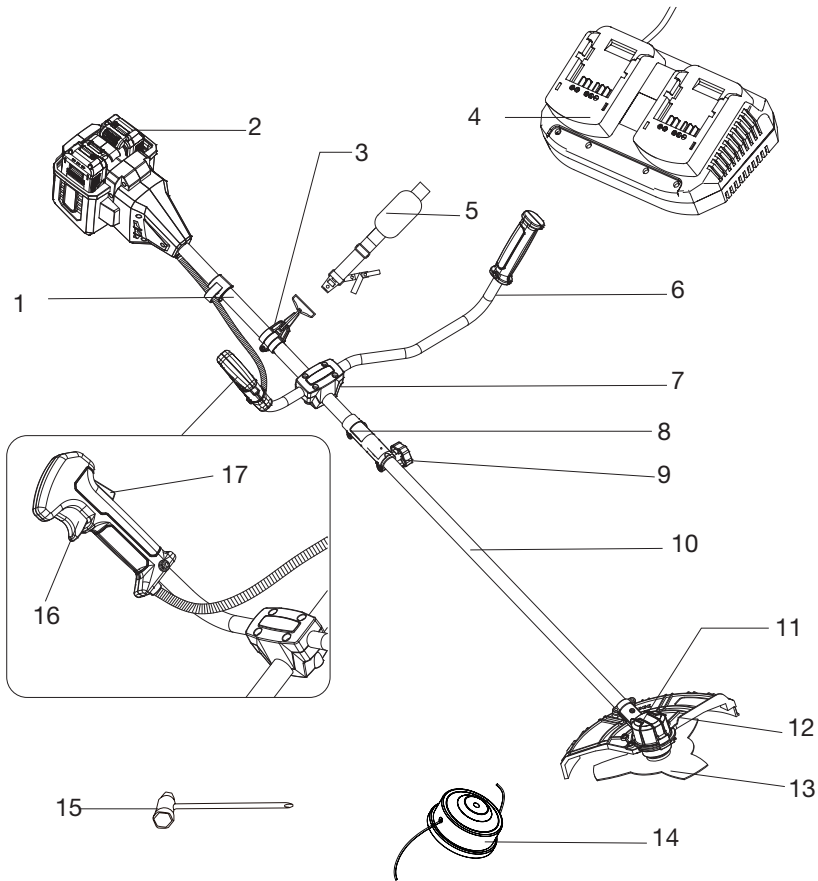
- Dispose of properly.
- Do not mix cells of different manufacture, capacity, size or type within a device.
- Do not remove battery pack from its original packaging until required for use.

Safety Warning For Battery Charger

- Charge only battery pack of the same model provided by manufacturer and of models recommended by manufacturer.
- Do not use the original charger on other Li-ion batteries or on any other type of battery as this can increase the risk of fire or explosion.
- Check the battery charger, cable and plug before each use. Do not use the battery charger if damaged. Do not open the battery charger yourself, charger must be repaired by qualified personnel using original spare parts.
- The charger is designed to use a standard household 220-240 V~ 50Hz power source, ensure that the plug matches the outlet.
- Never modify the plug in any way, this will reduce the risk of electric shock.
- Do not abuse the cord of charger. Never use the cord for carrying, pulling or unplugging the charger. Keep cord away from heat, oil, sharp edges or moving parts. Damaged or entangled cords increase the risk of electric shock.
- Make sure the charger cord is situated so that it will not be stepped on, tripped over or get damaged.
- If the supply cord is damaged, it must be replaced by the manufacturer, its service agent or similarly qualified persons in order to avoid a hazard.
- Keep the battery charger clean. Contamination can increase the risk of electric shock.

- Protect the battery charger from rain and moisture. If water accesses the battery charger there is an increased risk of electric shock.
- Battery will heat up whilst charging. When charging batteries, ensure that the battery charger is in a well-ventilated area and to reduce the risk of fire, do not operate battery charger on or close to inflammable materials such as paper or textiles.
- Do not overcharge any batteries. Ensure that batteries and chargers are not left unsupervised during charging.
- The temperature range over which the battery pack can be charged is typically between 5°C-45°C. Attempts to charge out with the prescribed temperature range may automatically be blocked by the protection circuitry of the battery pack. Longest life and best performance can be obtained if the battery pack is charged at room temperature.
- Disconnect charger from the power supply when not in use. This will reduce the risk of electric shock or damage to the charger.
- This charger can be used by children aged from 8 years and above and persons with reduced physical, sensory or mental capabilities or lack of experience and knowledge if they have been given supervision or instruction concerning use of the appliance in a safe way and understand the hazards involved.
- Children shall not play with the appliance. Cleaning and user maintenance shall not be made by children without supervision.

PRODUCT DESCRIPTION AND IDENTIFICATIONS



- | | |
|---|-------------------------------------|
| 1. Upper shaft | 10. Lower shaft |
| 2. Battery pack x 2 | 11. Shaft working head |
| 3. Shoulder strap attachment ring | 12. Safety guard |
| 4. Charger | 13. Brush cutter blade |
| 5. Shoulder strap with quick release function | 14. Line trimmer line spool |
| 6. Operation handle | 15. Hex key & hexagon socket wrench |
| 7. Operation handle clamp holder | 16. Trigger |
| 8. Stop pin hole | 17. Safety lock-off button |
| 9. Locking nut | |

Not all the accessories illustrated or described are included in standard delivery.

ASSEMBLY AND OPERATING INSTRUCTIONS



NOTE: To reduce the risk of injury, user must read instruction manual.

Intended Use

This 2 in 1 battery powered brushcutter and line trimmer is designated with an electrical machinery. Depending on the attached accessory this product is intended to be used as:

- 1). Brush cutter: With the cutter blade attached the product is intended to cut heavier weeds, brush and similar vegetation.
- 2). Line trimmer: With the line spool attached the product is intended to cut smaller types of weed, lawn grass or similar soft vegetation. It must not be used to work on unusually thick, dry or wet grass, e.g. pasture grass, or to shred leaves.
- 3). The product must not be used for cutting other materials, such as plastic, stone, metal or wood that contains foreign objects and must not be used outside of domestic premises.
- 4). Observe the technical data for the maximum cutting capacity according to the application (see “Technical data” on page 4). Do not cut plants exceeding the stated maximum capacity.
- 5). This product is intended for private domestic use only, not for any commercial trade use. It must not be used for any purposes other than those described.



WARNING: Before assembly or adjusting to the product, ensure the battery pack is removed.

ASSEMBLY



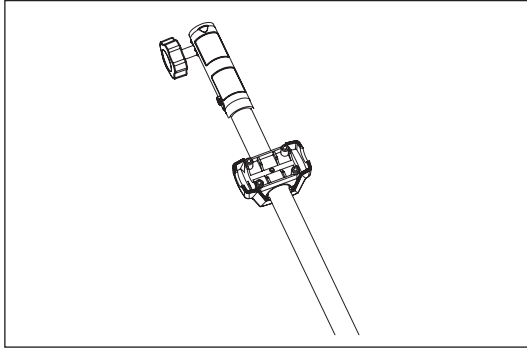
WARNING: Always take care when removing the packaging to prevent causing damage to the machine.

1. Remove all parts of the brush cutter from the box and carefully remove all packaging. Take care not to lose any instructions which may be affixed to the parts. These provide important information which will be required when assembling the brush cutter.
2. Keep all packaging until the brush cutter is fully assembled and has been operated successfully.

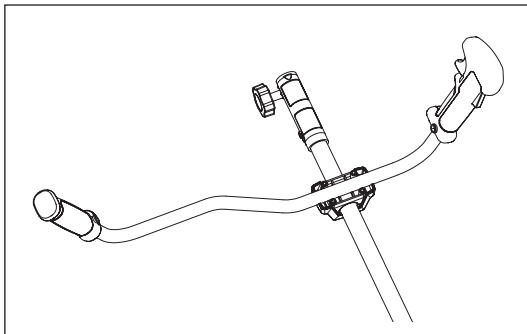
NOTE: Always recycle the packaging in accordance with local recycling schemes.

ASSEMBLE THE OPERATION HANDLE

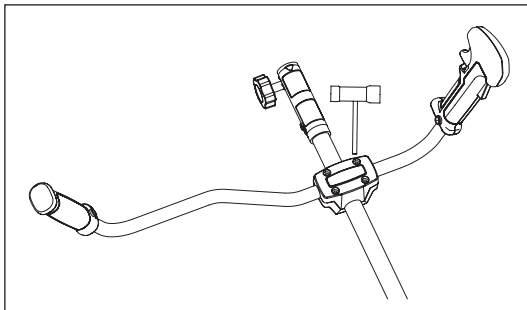
Release the inner hex screws and remove the upper cover of the handle holder.



Put the operation bike handle on the handle holder (match the hole on the handle to the cylinder on the holder). Pay attention to the direction of handle installed. Please refer to the figure below for reference.



Assemble the upper cover of the handle holder. Secure it with the hex screws. Tighten them with the hex key.



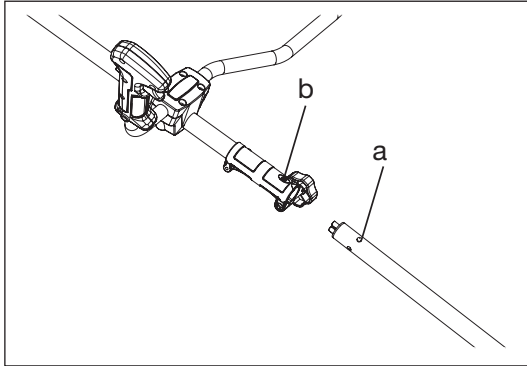
ASSEMBLE THE LOWER SHAFT

Release the locking nut (9) on the shaft connector.

Insert the lower shaft (10) into the connector, make sure the stop pin (a) on the shaft slots into the hole (b). Fasten the locking nut (9) on the connector.



WARNING! Always make sure the tubes cannot be rotated once connected. Check there is no loose connection. Loose connection increases vibration and results in machine damage and personal injuries.



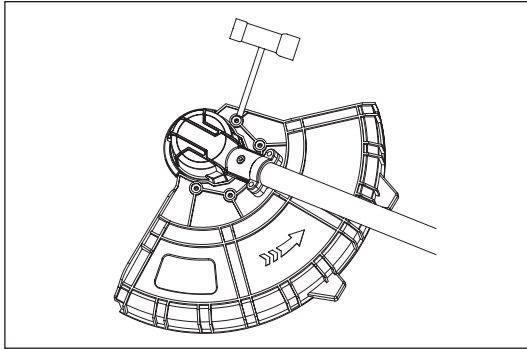
ASSEMBLE THE SAFETY GUARD

Put the safety guard onto the shaft working head. Note that the 4 screws on the safety guard (11) cannot be removed.

Loosen the screws and align the screws with the holes on the shaft working head.

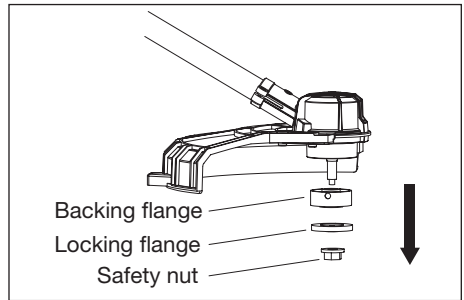
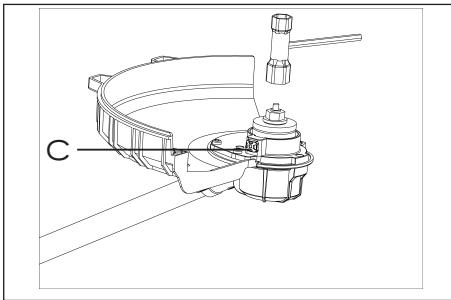


Fix the guard with 4 screws and tighten the screws.



ASSEMBLE THE BRUSH CUTTER BLADE

Press the lock button (C) to lock spindle from rotation, then rotate the safety nut in clockwise direction by the socket wrench.

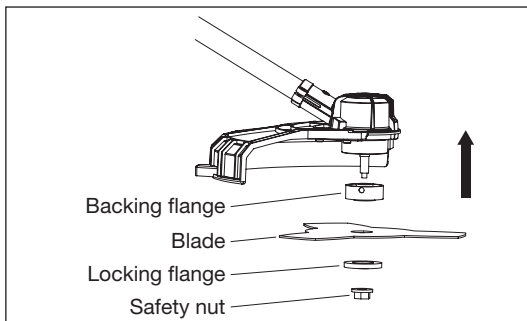


Remove the safety nut and locking flange after releasing the safety nut.

Fit the cutting blade to the spindle.

Put the locking flange onto the blade.

Secure the blade with the safety nut tightening in anti-clockwise direction.



ASSEMBLE THE TRIMMER SPOOL

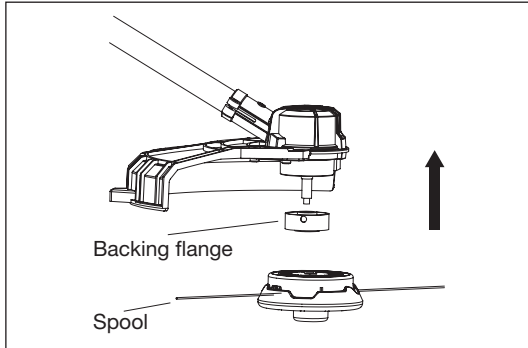
Disassemble the brusher cutter blade from the spindle in a reverse procedure.

Remove blade, safety nut and locking flange.

Keep the backing flange on the spindle.

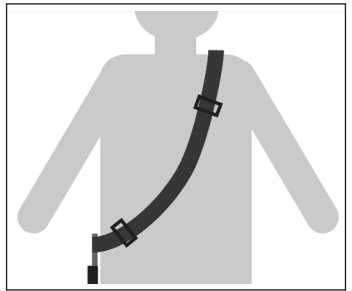
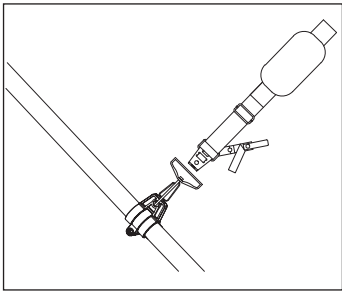
Stop the spindle from rotation by pressing the lock button.

Screw the trimmer line spool on the spindle anti-clockwise securely.

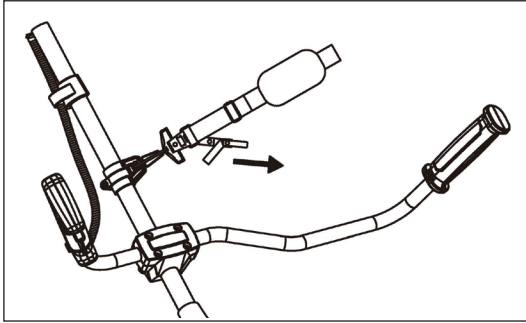


FIT THE SHOULDER STRAP

Hook the shoulder strap into the mounting ring on the shaft. Adjust the length until the shaft sits just below your right hip.



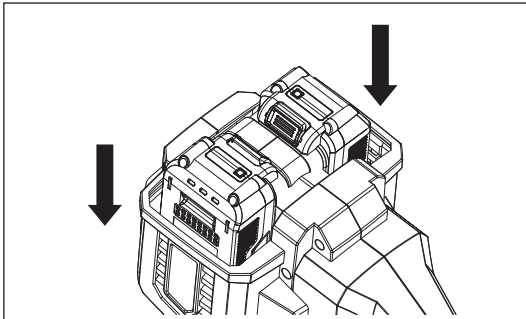
NOTE: Let the cutting attachment rest lightly on the ground. If you use a cutting blade, it should balance about 10cm above the ground to prevent contact with stones and the like. Adjust the position of the harness clamp to balance the unit correctly.



WARNING! In an emergency, release the switch and pull the strap.

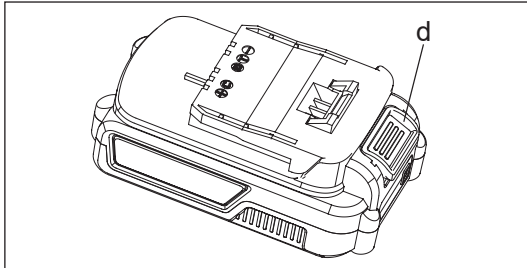
INSTALLING OR REMOVING THE BATTERY PACK

Hold the tool and the battery pack firmly when installing or removing the battery pack. Failure to hold the tool and the battery pack firmly may cause them to slip out of your hands and result in damage to the tool and battery pack, potentially causing a personal injury.



Always switch off the tool before installing or removing the battery pack. Always switch off the tool before installing or removing the battery pack.

To remove the battery pack, press the release button (d) and pull the battery pack. To install the battery pack, align the tongue on the battery pack with the groove in the housing and slide it into place, until the battery can be heard clicking into place. If not, it may accidentally fall out of the tool, causing injury to you or someone around you.



WARNING!

Do not use force when installing the battery pack. If the battery pack does not slide in easily, it is not being inserted correctly.



Verify that the switch is not engaged before inserting or removing the battery pack.



Verify that the battery pack has been removed and the switch is not engaged before inspecting, adjusting or performing maintenance on any part of the machine.



Read, understand and follow the instructions contained in the section entitled charging procedure.

BEFORE OPERATION

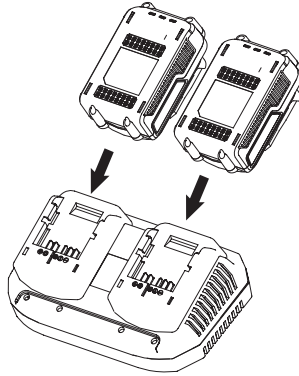


WARNING: The charger and battery pack are specially designed to work together so do not attempt to use any other devices. Never insert or allow metallic objects into your charger or battery pack connections otherwise an electrical failure and hazard will occur.

NOTE: The battery pack comes partly charged. Charge the battery pack prior to first use, ideally at least 60 minutes.

- Always pull the plug of the charger from the mains before removing or connecting the battery pack to the charger.
- Never charge the battery pack when the ambient temperature is below 5°C or above 45°C.
- Never recharge a battery pack again immediately after rapid charging. This could overcharge the battery pack, thus reducing the lifespan of the battery pack and charger.
- Rest the charger for at least 15 minutes between continuously charging sessions.

NOTE: Always fully charge the two batteries at the same time.



Checking battery capacity

Press the battery capacity level button to check the charging level of the battery pack. The status/ remaining capacity will be shown on the battery charging level indication light.

3 Green LED on	Battery pack fully charged
2 Green LED on	Battery pack 65% charged
1 Green LED on	Battery pack 35% charged
No LED lit	Battery is dead and needs to be charged

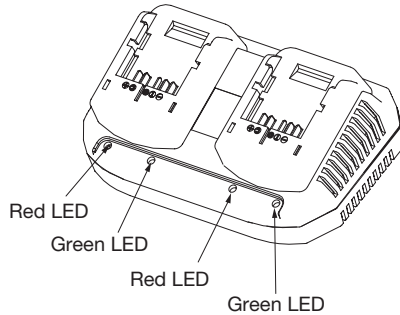
Charge the battery pack before operating when it is at medium or low battery charging level.

Charging procedure

- 1) Slide the battery pack into the charger base to make connections.
- 2) Connect the battery charger to the power supply. The indicator light will be green and flash to show that the charging has started.
- 3) When charging is completed, the light will be continuously lit, the pack is now fully charged, unplug the charger and remove the battery pack.

Charging light indicator

Red LED on, Green LED off	Charger ready
Red LED off, Green LED flashes	Battery pack charging
Red LED off, Green LED on	Battery pack fully charged
Red LED flashes, Green LED flashes	Battery pack defected
Red LED on, Green LED on	Battery pack too cold or hot



WARNING: When battery pack runs out after continuous use or exposure to direct sunlight or heat, allow time for the pack to cool down before re-charging to achieve the full capacity.

Meaning of power indicator

Low-capacity warning

Unlike other battery pack types, lithium-ion battery packs deliver fade-free power for their entire run time. The tool will not experience a slow, gradual loss of power as you work. If the red LED on the battery pack begins to flash, the battery pack's remaining capacity is below 1% capacity and should be recharged.

To obtain the best life from the battery

1. Never allow the battery to completely discharge before recharging. The battery pack should be placed on the charger whenever the battery pack is noticeably running down or the tool no longer performs a task it previously performed.
2. Avoid conducting short charges. Make sure that the battery is fully charged each time by allowing the charger to complete its full charging cycle.
3. Avoid allowing loose items like screws or nails etc. to be stored with battery packs as these or similar items can short battery packs and cause a fire or explosion
4. Always unplug the charger when not in use and store in a dry and secure place.
5. Avoid charging or storing your battery in temperatures below 5°C and above 45°C.
6. After use, allow the battery pack to cool down for approximately 30 minutes before attempting to recharge.

OPERATION

STARTING



WARNING! Do not start the unit until it has been completely assembled. Danger of injury.

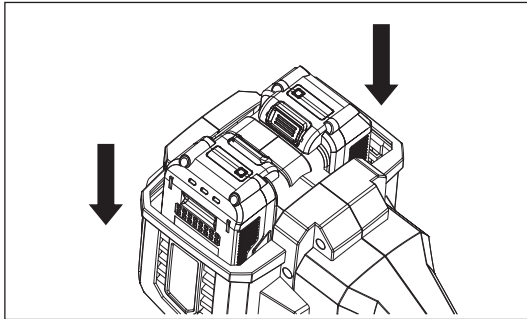


WARNING! Do not operate the device unless you did not find any faults or loose parts/components. If a part has become defective or loose, make sure to replace it or tighten it securely before you use the device again.

Installing the battery pack

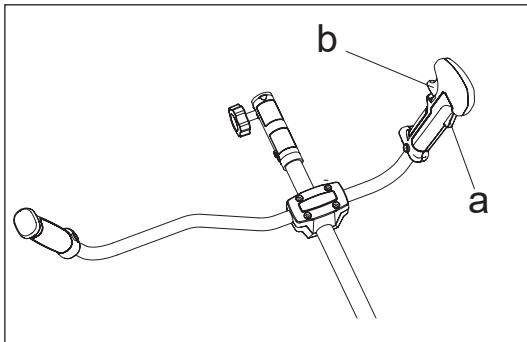
Keep the battery pack in line with the holder on the device.

Push it forward until it reaches the bottom. Before starting, make sure the battery pack is firmly locked in place.



Switch on/off (Safety start function)

Press and hold the safety lock-off button (a) and then press the trigger (b) and hold it. The motor will start 1 second later.



Adjusting line length while working

This machine is fitted with a 'Tap & Go' head. To release more line, tap the cutting line head against the ground with the motor at top speed; the line will be released automatically and the knife will cut off the excess length.

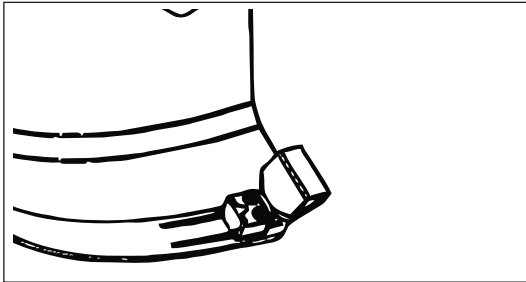
WORKING INSTRUCTIONS

Extending the cutting line

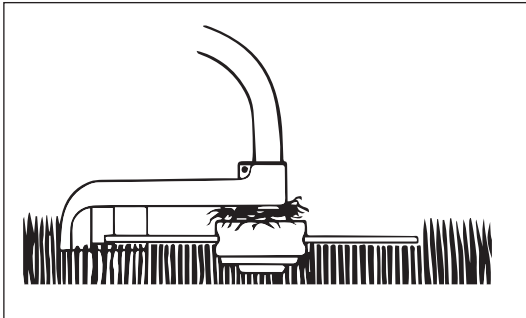


WARNING! Do not use any kind of metal wire or metal wire encased in plastic in the line spool. This may cause serious injuries to the user. To extend the cutting line, run the engine at full speed and tap the line spool on the ground. This will automatically extend the line.

The blade on the safety shield will cut the line to the appropriate length.

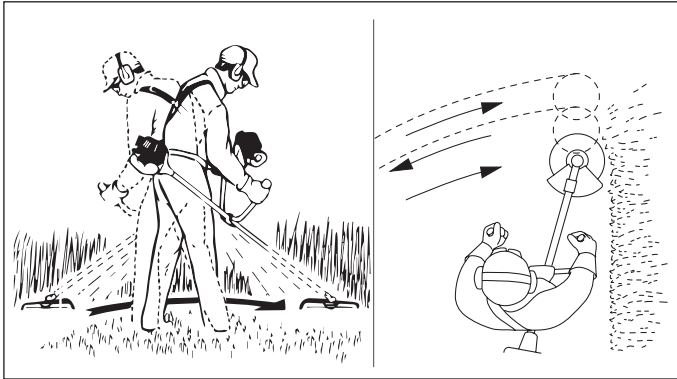


IMPORTANT: Remove all grass and weed remnants at regular intervals to prevent the shaft tube overheating. Lawn, grass and weed remnants become trapped under the safety shield and prevent the shaft tube from receiving adequate ventilation. Remove the remnants carefully using a tool. Do not use bare hands.



Different cutting methods

When the equipment is correctly assembled it will cut weeds and long grass in places which are difficult to access, e.g. along fences, walls and foundations, and trees. It can also be used for 'mowing' down vegetation to prepare a garden for other applications.



ATTENTION: Even if it is used carefully, cutting around foundations, stone or concrete walls will result in the line suffering more than normal wear.

Trimming/mowing

Swing the trimmer from side to side in a scything motion. Always keep the line spool parallel to the ground. Check the site and decide which cutting height you require. Guide and hold the line spool at the required height to obtain an even cut.

Low trimming

Hold the trimmer in front of you at a slight angle so that the underside of the line spool is above the ground and the line strikes the correct target. Always cut away from yourself. Never draw the trimmer towards you.

Cutting along fences/foundations

Approach wire mesh fences, lath fences, natural stone walls and foundations slowly so that you can cut close to them without striking the obstacle with the line. If, for example, the line strikes stones, stone walls or foundations, it will wear or fray. If the line strikes wire fencing, it will break.

Trimming around trees

When trimming around tree trunks, approach slowly so that the line does not strike the bark. Walk around the tree, cutting from left to right. Approach grass or weeds with the tip of the line and tilt the line spool forwards slightly.



WARNING! Take extreme care during mowing work. When doing such work, keep a distance of 30 metres between yourself and other people or animals.

Mowing

When mowing, you want to cut all the vegetation down to the ground. To do this, set the line spool at an angle of 30° to the right. Place the handle in the required position. Remember the increased risk of injury to the user, bystanders and animals, and the danger of damaging property due to objects (for example stones) being thrown.



WARNING! Do not use the equipment to remove objects from footpaths, etc. The equipment is a powerful tool and can throw small stones and other objects a distance of 15 metres or more, causing injuries and damage to cars, houses and windows.

Jamming

If the cutting blade jams as a result of attempting to cut vegetation that is too dense, switch off the motor immediately. Remove the grass and scrub from the equipment before you restart it.

Preventing recoil

When operating with the blade, there is a risk of recoil if it strikes solid objects, such as tree trunks, branches, tree stumps or stones. This will throw the machine backwards in the direction opposite to the rotation of the tool. This can cause you to lose control of the equipment. Do not use the blade near fences, metal posts, boundary stones or foundations.

CARE AND CLEANING



WARNING! To avoid serious injuries, always switch off and remove the batteries before cleaning or maintenance.



WARNING! Have repairs and maintenance work that are not described in these instructions carried out by our service center. Use only original parts.



WARNING! Wear safety gloves when working on the attachment heads and close to it. Use appropriate tools to remove debris, e.g. a brush or wooden stick. Never use your bare hands. Keep the product clean. Remove debris from it after each use and before storage. Regular and proper cleaning will help ensure safe use and prolong the life of the product. Inspect the product before each use for worn and damaged parts. Do not operate it if you find broken and worn parts.

Cleaning

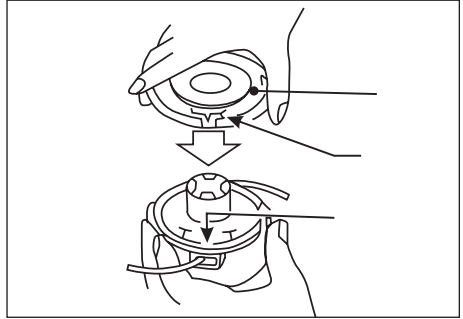
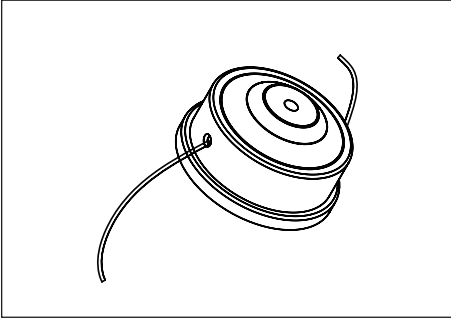
- The device must neither be sprayed with water nor placed in water. There is a risk of electric shock.
- Keep the ventilation slots, motor housing and handles of the device clean. Use a damp cloth or brush to do this. Do not use cleaning agents or solvents. This could cause irreparable damage to the device.
- Keep the ventilation slots free of dust and debris to prevent the machine from overheating.
- Clean the machine regularly with a soft cloth, preferably every time you use it. If the dirt doesn't come out, use a soft cloth dampened with soapy water.

Maintenance and storage

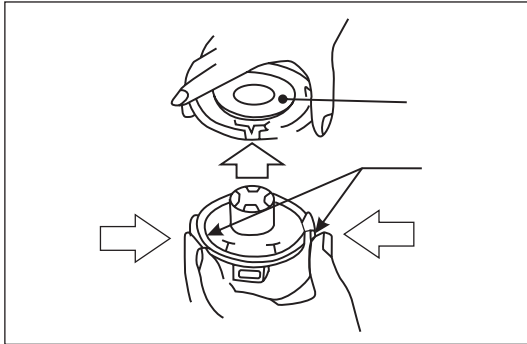
- Keep all nuts, bolts and screws tight to be sure the machine is in safe working condition.
- If the parts are worn or damaged, replace them with parts provided by Toolstation or qualified service center.
- Store the machine in a dry place out of the reach of children. Remove the battery packs from the machine before storage.
- When you stop the machine for inspection, servicing, storage, or changing accessory, switch off the machine and make sure that all moving parts come to a complete stop, and remove the battery packs. Cool down the machine before making any work on the machine. Maintain the machine with care and keep it clean.
- Always cool down the machine before storing.

REPLACING THE SPOOL LINE

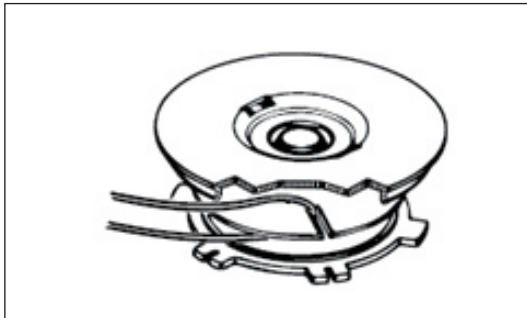
1. Dismantle the line spool as described in the 'Assembly' section (page 27). Press the spool together and remove one half of the housing.



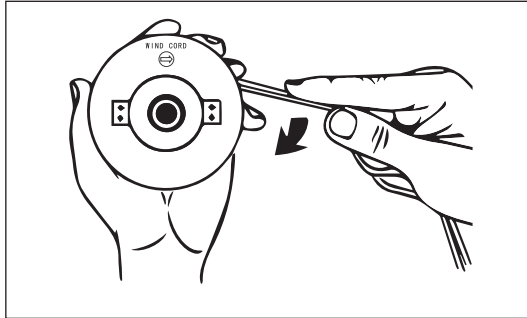
2. Take the spool plate out of the line spool housing.



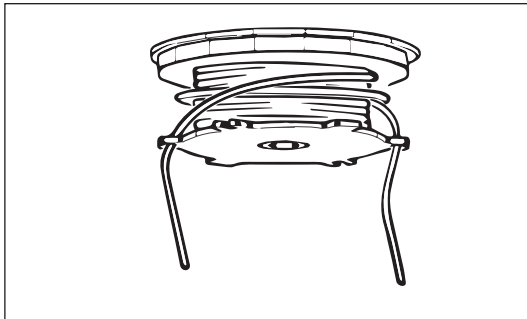
3. Remove any remaining cutting line.
4. Place the new cutting line in the centre and hang the loop which has formed into the recess in the spool splitter.



5. Under tension, wind the line onto the spool anti-clockwise. The spool splitter will separate the two halves of the line.



6. Hook the last 15cm of the two ends of the line onto the opposite lying line holders of the spool plate.



7. Thread the two ends of the line through the metal eyelets in the line spool housing.
8. Press the spool plate into the line spool housing.
9. Pull the two line ends sharply to release them from the line holders.
10. Fix the housing parts together again.
11. Cut the excess line to a length of around 13cm. This will reduce the load on the engine when starting and warming up.
12. Remount the line spool. If you are replacing the complete line spool, skip 'Assembly'.

Replacement parts/accessories:

Parts available via Toolstation Customer Support:

ACBN021054	Shoulder strap
ACBN021036	Cutting blade
ACBN021044	Spool line

TROUBLE SHOOTING

Use this section to help you to try and solve any problems you may have:

PROBLEM	POSSIBLE CAUSES	REMEDIES
Trimmer does not operate	Battery is not inserted or is inserted incorrectly	Make sure the battery is inserted and well fit in the battery compartment
Motor overheating	Grass caught under the cutting means guard	Remove caught grass
Mowing is difficult	The cutting means is not in good condition	Proceed with cutting means maintenance
Grass accumulates around the rod housing and cutting line head	Too high grass is being cut close to the ground	Cut tall grass with a top down movement to avoid accumulations.
The line is not released when the cutting line head hits the ground	<ol style="list-style-type: none"> 1. The line is stuck to itself 2. Not enough line on the reel or reel empty 3. The line is worn and too short 4. The line is tangled on the reel or broken 	<ol style="list-style-type: none"> 1. Lubricate with silicone spray 2. Replace the line 3. Pull the line while pressing the release button 4. Remove the line from the reel and rewind it
The cutting means comes into contact with a foreign body.		Turn off the machine, remove the battery and: - inspect for damage; - check for and tighten any loose parts; - have all replacements or repairs carried out by an authorised service centre.
Excessive noise and/or vibration is experienced whilst working	Loose or damaged parts.	Turn off the machine, remove the battery and: - inspect for damage; - check for and tighten any loose parts; - have all replacements or repairs carried out by an authorised service centre.
The machine gives off smoke whilst working	Machine damaged	Do not use the machine. Immediately turn off the machine remove the battery and contact a service centre.

<p>Battery power reserve is low</p>	<ol style="list-style-type: none"> 1. Severe working conditions requiring greater current absorption 2. Battery is insufficient for operating requirements 3. Decrease in battery capacity 	<ol style="list-style-type: none"> 1. Optimise operations 2. Use a second battery or extended battery 3. Purchase a new battery
<p>The battery charger is not recharging the battery</p>	<ol style="list-style-type: none"> 1. Battery is not correctly inserted in the battery charger 2. Unsuitable environmental conditions 3. Dirty contacts 4. The battery charger is not energized 5. Faulty battery charger 	<ol style="list-style-type: none"> 1. Check it is correctly inserted 2. Recharge the battery in places with suitable temperatures (see battery/ battery charger instruction manual) 3. Clean the contacts 4. Check it is plugged in and the power socket is energized 5. Replace with an original spare part 6. If the problem persists, refer to the battery/battery charger instructions.

NOTE: IF YOU EXPERIENCE A PROBLEM WITH YOUR TOOL, PLEASE DO NOT ATTEMPT TO OPEN OR REPAIR THE TOOL YOURSELF. DOING SO MAY VOID THE WARRANTY AND COULD CAUSE DAMAGE OR PERSONAL INJURY. IF THE PROBLEM STILL PERSISTS, PLEASE CONTACT US BY REFERRING TO THE SERVICE & SUPPORT INFORMATION ON THE FOLLOWING PAGE.

DECLARATION OF CONFORMITY / PERFORMANCE



Product Code: 72785 (GY224705)

Product Description: Hawksmoor 36V (2 x 18V) 2 in 1 Brushless Cordless Brush Cutter & Line Trimmer 2 x 2.0Ah

1. Toolstation Limited, Express Park, Bristol Road, Bridgwater, Somerset TA6 4RN

This declaration of conformity is issued under the sole responsibility of Toolstation

2. Object of the declaration

The object of the declaration described above is in conformity with the relevant Community harmonization legislation:

Supply of Machinery (Safety) Regulations 2008

Electromagnetic Compatibility Regulations 2016

Noise Emission in the Environment by Equipment for use Outdoors Regulations 2001

The Restriction of the Use of Certain Hazardous Substances in Electrical and Electronic Equipment Regulations 2012

Electrical Equipment (Safety) Regulations 2016

Noise Emission in the Environment by Equipment for use Outdoors Regulations 2001

FOR LINE TRIMMER Measured Sound Power Level: 92.5 dB(A)

Guaranteed Sound Power Level: 94 dB(A)

3. References to the relevant standards used (or references to the specifications in relation to which conformity is declared:

BS EN 62841-1, BS EN ISO 11806-1, BS EN 60335-1, BS EN 50636-2-91, BS EN 55014-1, BS EN 55014-2, BS EN IEC 61000-3-2; BS EN IEC 61000-3-3; BS EN 60335-2-29; BS EN 62233

4. Additional information:

Signed for and on behalf of Toolstation Limited

Paul Field

www.coreservice.co.uk

Hotline: +44 01904 947568

Email support@coreservice.co.uk

ENVIRONMENTAL INFORMATION



The symbol on the product or its packaging indicates that this product must not be disposed of with your other household waste. Instead, it is your responsibility to dispose of your waste equipment by handing it over to a designated collection point for the recycling of waste electrical and electronic equipment. The separate collection and recycling of your waste equipment at the time of disposal will help conserve natural resources and ensure that it is recycled in a manner that protects human health and the environment. For more information about where you can drop off your waste for recycling, please contact your local authority, or where you purchased your product.

GUARANTEE

Toolstation products deliver reliable service for normal, household use in domestic settings. All Toolstation products are individually tested before leaving the factory.

If you are a consumer and you experience a problem with your Toolstation product, which is found to be defective due to faulty materials or workmanship within the Guarantee Period, this Toolstation Guarantee will cover repair or - at the discretion of Toolstation - replacement with a functionally equivalent Toolstation product.

Your product is under guarantee for 2 years from the date of purchase or the date of delivery of the product, if later.

The guarantee is subject to the following provisions:

- The guarantee does not cover accidental damage, misuse, cabinet parts, knobs, or consumable items.
- The product must be correctly installed and operated in accordance with the instructions contained in this manual.
- It must be used solely for domestic purpose.
- The guarantee will be rendered invalid if the product is re-sold or has been damaged by inexpert repair.
- Specifications are subject to change without notice.
- The manufacturer disclaims any liability for the incidental or consequential damages.
- The guarantee is in addition to, and does not diminish your statutory or legal rights.

CUSTOMER SUPPORT

www.coreservice.co.uk

Call us +44 01904 947568

Email: support@coreservice.co.uk

Made in China