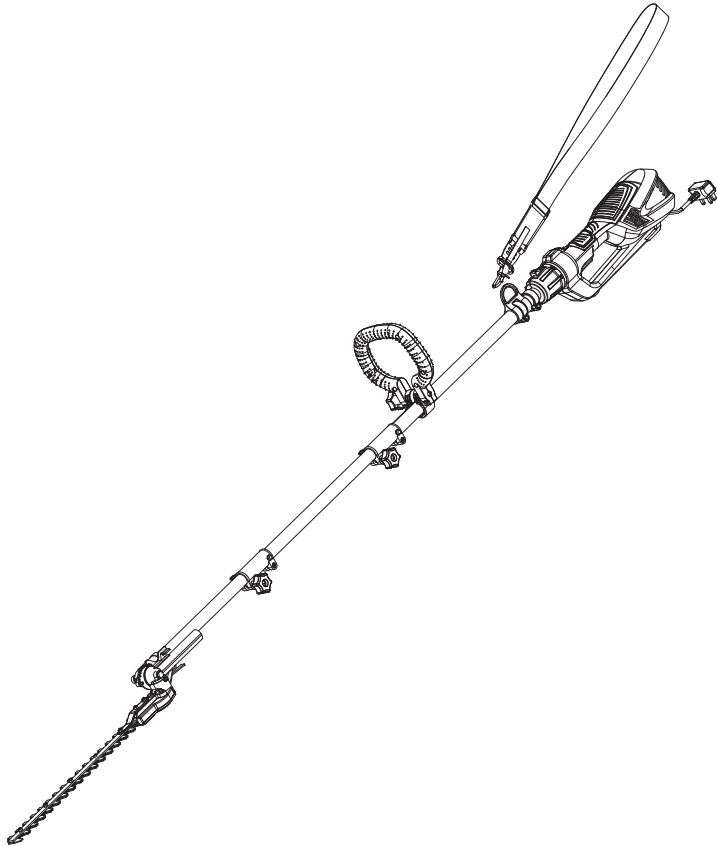




Original User's Instructions

1010W Pole Hedge Trimmer

SKU: 61144



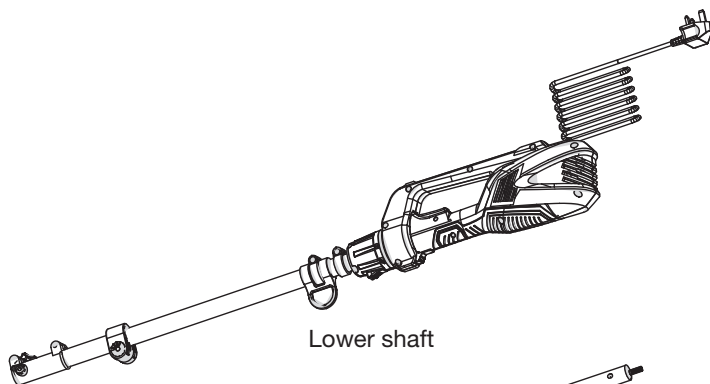
READ BEFORE USE

PLEASE KEEP THESE INSTRUCTIONS FOR FURTHER REFERENCE

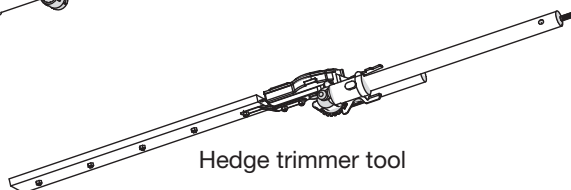
CONTENT

• WHAT'S IN THE BOX -----	3
• SPECIFICATIONS -----	4
• EXPLANATIONS AND SYMBOLS, CAUTIONS AND WARNINGS -----	5
• IMPORTANT SAFETY WARNINGS -----	7
• PRODUCT DESCRIPTION AND IDENTIFICATIONS -----	15
• ASSEMBLY AND OPERATING INSTRUCTIONS -----	16
• CARE AND CLEANING -----	28
• TROUBLE SHOOTING -----	35
• DECLARATION OF CONFORMITY / PERFORMANCE -----	37
• ENVIRONMENTAL INFORMATION -----	38
• GUARANTEE -----	39
• CUSTOMER SUPPORT -----	39

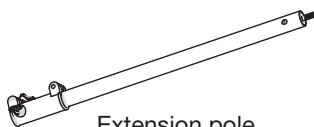
WHAT'S IN THE BOX



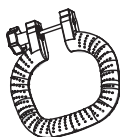
Lower shaft



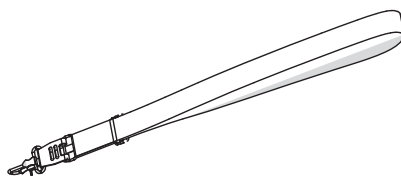
Hedge trimmer tool



Extension pole



Handle



Quick release safety belt

If you do not have all these items, please contact:

www.coreservice.co.uk

Hotline: +44 01904 947568

Email support@coreservice.co.uk

SPECIFICATION

Technical Data	
Model	PHCEG03A
Input voltage rating	230-240 V~, 50 Hz
Input power	1010W
Blade length	450mm
Cutting capacity	20mm
Weight (incl. accessories) . approx.	6.2kg
Sound Pressure Uncertain K	$L_{pA,eq}$: 87dB(A) Uncertain K_{pA} =3dB(A)
Guaranteed power level	L_{wA} ,d: 103dB(A) (2000/14/EC)
Value of vibration	a front_hv,eq: max. 2 m/s ² ,K=1.5m/s ² a rear_hv,eq: max. 2.5 m/s ² ,K=1.5m/s ²
Cable	PVC 2x1.0mm ² , 10m, BS plug

The sound values have been determined according to noise test code given in 62841-1, using the basic standards EN ISO 10517.

The sound intensity level for the operator may exceed 80 dB(A) and ear protection measures are necessary.

The declared vibration value has been measured in accordance with a standard test method (according to EN 60745-1) and may be used for comparing one product with another. The declared vibration value may also be used in a preliminary assessment of exposure.



WARNING!

Depending on the actual use of the product the vibration values can differ from the declared total! Adopt proper measures to protect yourself against vibration exposures! Take the whole work process including times the product is running under no load or switched off into consideration!

Proper measures include among others regular maintenance and care of the product and cutting attachments, keeping hands warm, periodical breaks and proper planning of work processes!

INTENDED USE

The device is only determined for cutting and trimming of hedges, bushes and shrubs around your house. Any other usage, which do not declared in this manual, can damage the device and cause a serious danger to the users.

This product is not intended for use by persons (including children) with reduced physical, sensory or mental capabilities, or lack of experience and knowledge, unless they have been given supervision or instruction concerning use of the product by a person responsible for their safety.

Children should be supervised to ensure that they do not play with the product.

Young people over 16 years old may use the product under supervision only.

The operator or user is responsible for accidents or damage to other people or their properties. The manufacturer is not liable for any damages because of the usage against its original functions or incorrect operation.

EXPLANATIONS AND SYMBOLS, CAUTIONS AND WARNINGS



Symbol warning of a warning



Read and refer to these operating instructions



Wear hearing protection.



Wear eye protection.



Wear respiratory protection.



Wear safety helmet.



Wear protective clothing.



Do not expose the product to rain or wet conditions (moisture).



Objects thrown by the product could hit the user or other bystanders. Always ensure that other people and pets remain at a safe distance from the product when it is in operation. In general, children must not come near the area where the product is.



Disconnect from the mains plug if the cord is damaged or entangled. **DO NOT TOUCH THE CORD BEFORE DISCONNECTING THE SUPPLY.**



Caution: Very danger because of electronic shock! Keep it away at least 10m from Transmission lines.



Sharp blade can cut limbs.



Switch the product off and disconnect it from the power supply before assembly, cleaning, adjustments, maintenance, storage and transportation.



This product is of protection class II.



Guarantee sound power level



The product complies with the applicable European directives and an evaluation method of conformity for these directives was done.



WEEE symbol. Waste electrical products should not be disposed of with household waste. Please recycle where facilities exist. Check with your Local Authority or local store for recycling advice.



UK conformity assessed

IMPORTANT SAFETY WARNINGS

General Safety Warnings



WARNING!

When using the product the safety rules must be followed. For your own safety and that of bystanders please read these instructions before operating the product.

Please keep the instructions safe for later use.

The term "power tool" in the warnings refers to your mains-operated (corded) power tool or battery-operated (cordless) power tool.

Work area safety

1. Keep work area clean and well lit. Cluttered or dark areas invite accidents.
2. Do not operate power tools in explosive atmospheres, such as in the presence of flammable liquids, gases or dust. Power tools create sparks which may ignite the dust or fumes.
3. Keep children and bystanders away while operating a power tool. Distractions can cause you to lose control.

Electrical safety

1. Power tool plugs must match the outlet. Never modify the plug in any way. Do not use any adapter plugs with earthed (grounded) power tools. Unmodified plugs and matching outlets will reduce risk of electric shock.
2. Avoid body contact with earthed or grounded surfaces, such as pipes, radiators, ranges and refrigerators. There is an increased risk of electric shock if your body is earthed or grounded.

3. Do not expose power tools to rain or wet conditions. Water entering a power tool will increase the risk of electric shock.
4. Do not abuse the cord. Never use the cord for carrying, pulling or unplugging the power tool. Keep cord away from heat, oil, sharp edges or moving parts. Damaged or entangled cords increase the risk of electric shock.
5. When operating a power tool outdoors, use an extension cord suitable for outdoor use. Use of a cord suitable for outdoor use reduces the risk of electric shock.

Only use a weather proof extension cable fitted with a coupler according to IEC60320-2-3. Do not use extension cords lighter than:

- a) if rubber insulated, ordinary tough rubber sheathed flexible cord (code designation 60245 IEC53; H05RN-F);
 - b) if polyvinyl chloride insulated, ordinary polyvinyl chloride sheathed flexible cord (code designation 60227 IEC53; H05VV-F).
6. Before using, check the supply and extension cord for signs of damage and aging. Do not use the appliance if the cord is damaged or worn.
 7. If operating a power tool in a damp location is unavoidable, use a residual current device (RCD) protected supply. Use of an RCD reduces the risk of electric shock.



NOTE: The term “residual current device(RCD)” may be replaced by the term “ground fault circuit interrupter (GFCI)” or “earth leakage circuit breaker(ELCB)”

Personal safety

1. Stay alert, watch what you are doing and use common sense when operating a power tool. Do not use a power tool while you are tired or under the influence of drugs, alcohol or medication. A moment of inattention while operating power tools may result in serious personal injury.
2. Use personal protective equipment. Always wear eye protection. Protective equipment such as dust mask, non-skid safety shoes, hard hat, or hearing protection used for appropriate conditions will reduce personal injuries.
3. Prevent unintentional starting. Ensure the switch is in the off-position before connecting to power source and/or battery pack, picking up or carrying the tool.
4. Carrying power tools with your finger on the switch or energising power tools that have the switch on invites accidents.
5. Remove any adjusting key or wrench before turning the power tool on. A wrench or a key left attached to a rotating part of the power tool may result in personal injury.
6. Do not overreach. Keep proper footing and balance at all times. This enables better control of the power tool in unexpected situations.
7. Dress properly. Do not wear loose clothing or jewelry. Keep your hair, clothing and gloves away from moving parts. Loose clothes, jewelry or long hair can be caught in moving parts.
8. If devices are provided for the connection of dust extraction and collection facilities, ensure these are connected and properly used. Use of dust collection can reduce dust-related hazards.

Power tool use and care

1. Do not force the power tool. Use the correct power tool for your application. The correct power tool will do the job better and safer at the rate for which it was designed.

2. Do not use the power tool if the switch does not turn it on and off. Any power tool that cannot be controlled with the switch is dangerous and must be repaired.
3. Disconnect the plug from the power source and/or the battery pack from the power tool before making any adjustments, changing accessories, or storing power tools. Such preventive safety measures reduce the risk of starting the power tool accidentally.
4. Store idle power tools out of the reach of children and do not allow persons unfamiliar with the power tool or these instructions to operate the power tool. Power tools are dangerous in the hands of untrained users.
5. Maintain power tools. Check for misalignment or binding of moving parts, breakage of parts and any other condition that may affect the power tool's operation. If damaged, have the power tool repaired before use. Many accidents are caused by poorly maintained power tools.
6. Keep cutting tools sharp and clean. Properly maintained cutting tools with sharp cutting edges are less likely to bind and are easier to control.
7. Use the power tool, accessories and tool bits etc. in accordance with these instructions, taking into account the working conditions and the work to be performed. 8. Use of the power tool for operations different from those intended could result in a hazardous situation.

Emergency

Familiarise yourself with the use of this product by means of this instruction manual. Memorise the safety directions and follow them to the letter. This will help to prevent risks and hazards.

1. Always be alert when using this product, so that you can recognise and handle risks early. Fast intervention can prevent serious injury and damage to property.

2. Switch off and disconnect from the power supply if there is any malfunction. Have the product checked by a qualified specialist and repaired, if necessary, before you put it into operation again.

Residual risks

Even if you are operating this product in accordance with all the safety requirements, potential risks of injury and damage remain. The following dangers can arise in connection with the structure and design of this product:

1. Health defects resulting from vibration emission if the product is being used over long periods of time or not adequately managed and properly maintained.
2. Injuries and damage to property due to broken application tools or the sudden impact of hidden objects during use.
3. Danger of injury and property damage caused by flying objects.



WARNING! This product produces an electromagnetic field during operation! This field may under some circumstances interfere with active or passive medical implants! To reduce the risk of serious or fatal injury, we recommend persons with medical implants to consult their doctor and the medical implant manufacturer before operating this product!

Hedge Trimmer Safety Warnings

1. Keep all parts of the body away from the cutter blade. Do not remove cut material or hold material to be cut when blades are moving. Make sure the switch is off when clearing jammed material.

A moment of inattention while operating the hedge trimmer may result in serious personal injury.

2. Carry the hedge trimmer by the handle with the cutter blade stopped. When transporting or storing the hedge trimmer always fit the cutting device cover.

3. Proper handling of the hedge trimmer will reduce possible personal injury from the cutter blades.
4. Hold the power tool by insulated gripping surfaces only, because the cutter blade may contact hidden wiring or its own cord. Cutter blades contacting a "live" wire may make exposed metal parts of the power tool "live" and could give the operator an electric shock..
5. Keep cable away from cutting area. During operation the cable may be hidden in shrubs and can be accidentally cut by the blade.
6. The product should be supplied via a residual current device (RCD) with a tripping current of not more than 30 mA.
7. Always be sure of a safe and secure operating position, whilst using the product.
8. Never use the product standing on steps or a ladder. Do not work over should height.
9. Never attempt to use an incomplete product or one fitted with an unauthorized modification.
10. Check the cutting device regularly for damage, and if damaged repair immediately.
11. Do not overload the product.
12. Check immediately if the product starts to vibrate abnormally. Excessive vibration can cause injury.
13. Follow the maintenance and repair instructions for this product. Never carry out any modifications of the product. Information about maintenance and repair is provided in this instruction manual.
14. Know how to stop the product quickly in an emergency.
15. Do not expose the product to rain. Do not operate the product on a wet hedge.
16. Use the product only in daylight or good artificial light.

17. Prolonged use of the product exposes the user to vibrations that can cause a range of conditions collectively known as hand-arm vibration syndrome (HAVS) e.g. fingers going white; as well as specific diseases such as carpal tunnel syndrome.
- To reduce this risk when using the product, always wear protective gloves and keep your hands warm.
 - The symptoms of HAVS include any combination of the following: Tingling and numbness in the fingers; Not being able to feel things properly; Loss of strength in the hands; Fingers going white (blanching) and becoming red and painful on recovery (particularly in the cold and wet, and probably only in the tips at first). Seek medical advice immediately if such symptoms are experienced.

Maintenance and storage

1. Disconnect the product from the power supply (i.e. remove the plug from the power supply or the battery pack)
 - before carrying out maintenance or cleaning work
 - after striking a foreign object. Inspect the tool for damage and make repairs before restarting and operating the tool

2. Use only the manufacturer's recommended replacement parts and accessories.

Inspect and maintain the product regularly. Have the product repaired only by an authorised service centre or similarly qualified specialist.

3. When not in use, store the product out of reach of children.
4. Maintain power tools.

Check for misalignment or binding of moving parts, breakage of parts and any other condition that may affect the power tool's operation. If damaged, have the power tool repaired before use. Many accidents are caused by poorly maintained power tools.

5. Keep cutting tools sharp and clean. Properly maintained cutting tools with sharp cutting edges are less likely to bind and are easier to control.
6. Use the power tool, accessories and tool bits in accordance with these instructions, taking into account the working conditions and the work to be performed. Use of the power tool for operations different from those intended could result in a hazardous situation.

Vibration and noise reduction

To reduce the impact of noise and vibration emission, limit the time of operation, use low-vibration and low-noise operating modes as well as wear personal protective equipment.

Take the following points into account to minimize the vibration and noise exposure risks:

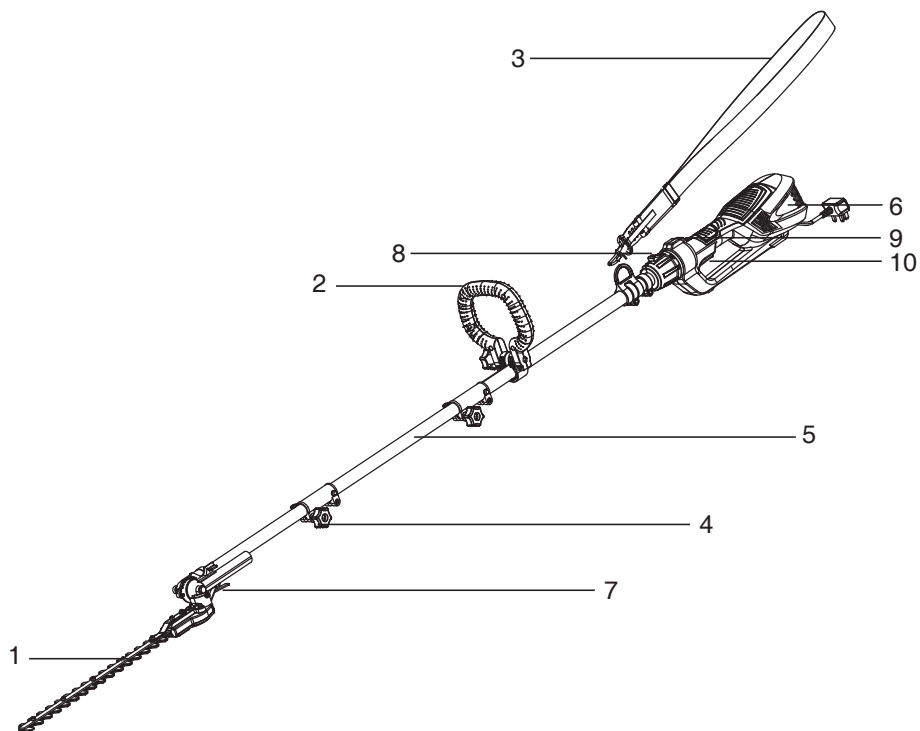
1. Only use the product as intended by its design and these instructions.
2. Ensure that the product is in good condition and well maintained.
3. Use correct cutting device for the product and ensure they in good condition.
4. Keep tight grip on the handles/gripping surface.
5. Maintain this product in accordance with these instructions and keep it well lubricated (where appropriate).
6. Plan your work schedule to spread any high vibration tool use across a longer period of time.

Service

Have your power tools serviced by a qualified repair person using only identical replacement parts. This will ensure that safety of the power tool is maintained.

If the supply cord is damaged, it must be replaced by the manufacture or its service agent or a similarly qualified person in order to avoid a hazard.

PRODUCT DESCRIPTION AND IDENTIFICATIONS



- 1 Hedge trimmer
- 2 Front handle
- 3 Belt
- 4 Knob
- 5 Extension pole
- 6 Main Housing
- 7 Safety lever
- 8 Safety slide
- 9 Safety switch
- 10 On/off switch

Not all the accessories illustrated or described are included in standard delivery.

ASSEMBLY AND USE



Note: Pull out the power plug before carrying out any work on the equipment.

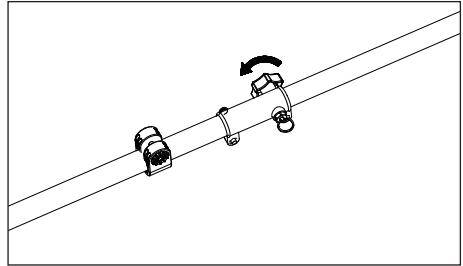
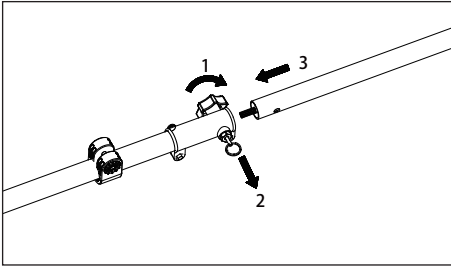
Use only original parts.

The long-shaft hedge trimmer can be used optionally with or without the middle tubular shaft.

1. Assembly

a. Assembly of the middle tubular shaft (optional)

- 1) Remove the cap from the middle tubular shaft. Loosen the star wheel
- 2) Pull out the stop pin.
- 3) Slide the middle tubular shaft onto the tubular shaft on the appliance housing in a slight rotating movement. When doing so, the retaining knob locks into place. Fix the two tubular elements in place with the rotary knob.

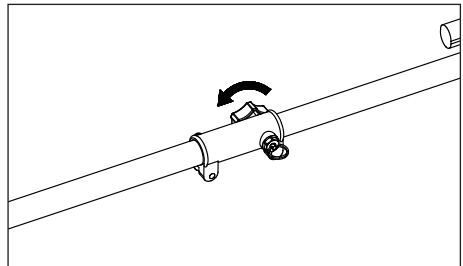
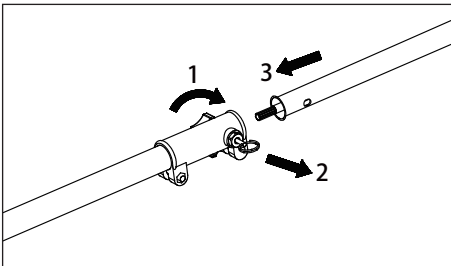


b. Assembly of the front tubular shaft

- 1) Remove the cap on the front tubular shaft. Loosen the star wheel.
- 2) Pull out the stop pin.
- 3) Slide the middle tubular shaft onto the tubular shaft on the appliance housing in a slight rotating movement. When doing so, the retaining knob locks into place. Fix the two tubular elements in place with the rotary knob.



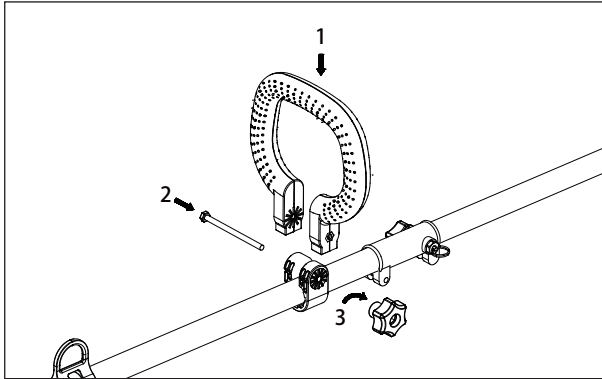
Warning! Only tighten the rotary knob by hand! The use of maximum manual force will damage the tubular shaft.



c. Assembly of the front handle

- 1) Attach the front handle to the block (A) on the lower handle and insert the bolt. Tighten the knob to the bolt.
- 2) Adjust the front handle forward or backwards to a proper position.

The dismantling takes place in reverse order.



2. Operation



Warning! Do not use the equipment without the hand guard. Wear suitable clothing and work gloves when working with the equipment.

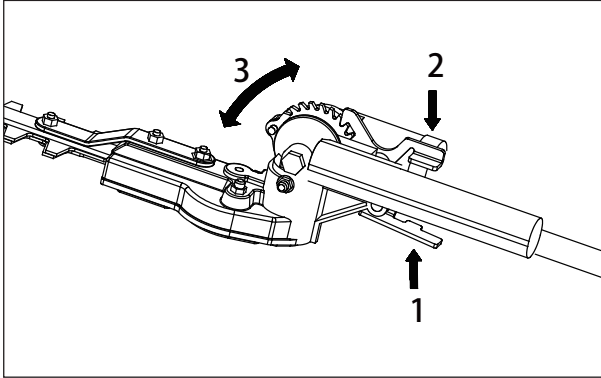
Ensure that the equipment is functional before each use. The On/Off switch and the safety switch must not be held closed. They must switch off the motor when on is released. Should a switch be damaged, stop working with the equipment. Ensure that the mains voltage value matches the label on the equipment.



Note noise protection and local specifications. The use of the equipment on certain days (e.g. Sundays and national holidays), at certain times of day (lunch times, night time quiet periods) or in special areas (e.g. health resorts, clinics etc.) is restricted or forbidden.

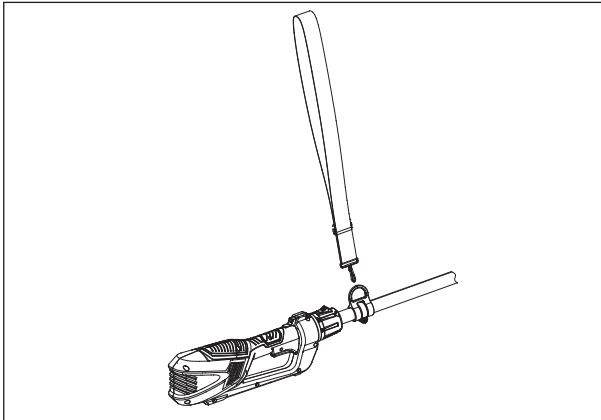
a. Swiveling out the blade beam

- 1) Hold the safety blade beam on the handle to adjust the blade beam.
- 2) Unlock the safety lever and keep it pressed.
- 3) By simultaneously exerting pressure on the lock lever, you will loosen the fixation of the cutter bar.
- 4) The safety blade beam can now be swiveled out. Use the stop stages and allow the stop lever to click back in. You can choose 12 stop stages.
- 5) Then, release the safety lever again and ensure that it latches back into its initial position.



b. Attach the shoulder strap

Attach the shoulder strap spring clip to the carrying eyelet on the tubular shank of the device. Set the strap length such that the spring clip on the shoulder strap is roughly at the height of your hip.



c. Removing the knife guard

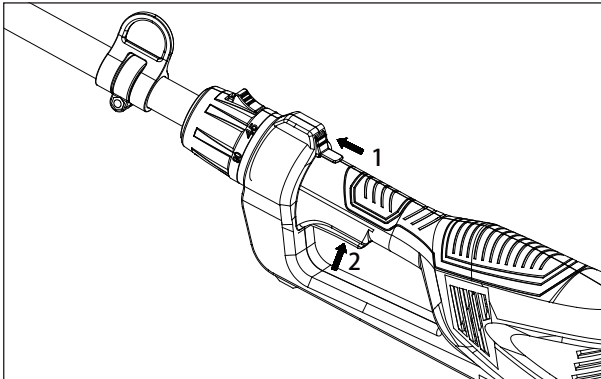
Press the knife guard on remove it.

d. Switching on and off



Note. Ensure that you are standing in a firm position with both hands gripping the hedge trimmer away from the body. Ensure that the trimmer is in contact with no other objects before switching on.

- 1) Connect the device to the mains voltage.
- 2) To switch on, push the safety switch forward depressed and simultaneously press the on/off switch. The hedge trimmer will be run at maximum speed. You can release the safety switch.
- 3) The equipment will switch off when you release on/off switch.



e. Working with the electric hedge trimmer



Warning! During cutting work, ensure that no contact is made with objects, e.g. such as wire fencing or main plant stems. This may result in damage to the cutter bar.

Note!

- To avoid eye injuries, always wear the supplied safety goggles while working with the hedge trimmer.
- Always hold the equipment firmly in both hands, with one hand on the rear handle and the other on the front handle. Thumbs and fingers must be firmly around the handles.
- Check the shoulder strap on a pleasant position, which makes it easier for you to hold the hedge trimmer.
- Switch off the equipment immediately in the event that the blades are blocked by solid objects, pull out the power plug then remove the object.
- Always work away from the mains power outlet. Set the cutting direction before starting work. Ensure that the power cable is kept well away from the working area. Never lay the cable over the hedge, where it could easily be caught up in the trimmer blades.
- Avoid overstraining the equipment during work.



Warning! Pull out the power plug immediately if the cable is damaged, badly twisted or has been completely cut through.

f. Putting down the device

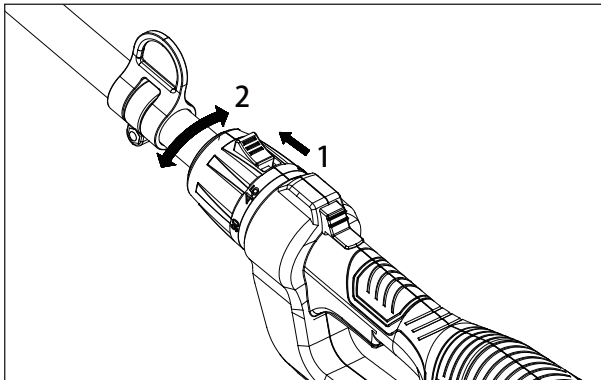
- 1) Place the device on the ground with the motor housing first.
- 2) The safety cutter bar must be placed on the ground without being subjected to any pressure.
- 3) Do not apply any static pressure whatsoever to the cutter bar.

g. Swivelling the Arm



Caution! The gear box becomes hot during operation. There is a risk of burns. Do not touch the gearbox housing or the connecting point to the front tubular shaft.

- 1). Release the indexing by pushing the safety slide forward.
- 2). The tubular shank can now optionally be turned 45° / 90° to the right or the left (see the scale on the device).



h. Cutting Techniques

- Cut thick branches beforehand using a branch clippers.
- The double-sided cutter bar enables cutting in both directions or, with a swinging action, from one side to the other.
- In case of vertical cutting, move the hedge trimmer uniformly forward or up and down in an arc movement.
- In case of horizontal cutting, move the hedge trimmer in a sickle-shaped movement to the edge of the hedge, so that cut branches fall to the ground.
- In order to achieve long straight lines, the placing of tensioned guiding cords is recommended.

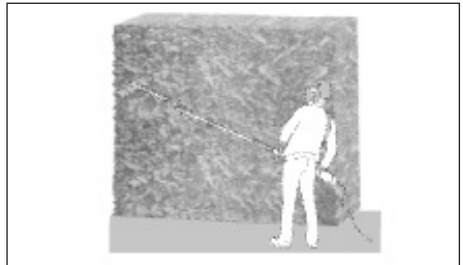
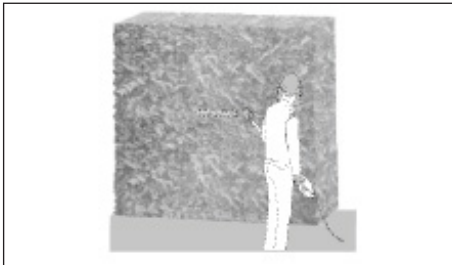
i. Cutting Shaped Hedges:

It is recommended that hedges be cut in a trapezoidal shape, in order to prevent stripping off of the lower branches. This corresponds to the natural plant growth and allows the hedge to thrive optimally. During cutting, only the new annual growths are reduced and thus a dense branching and a good screen will develop.

- 1). Cut the sides of a hedge first. To do this, move the hedge trimmer in the direction of growth from bottom to top. If you cut down from the top, the thinner branches will move out, which may result in some areas having sparse growth or holes.
- 2). Cut the top edge, according to taste, in a flat shape, roof shape or rounded shape
- 3). Trim young plants to the required shape. The main growth should remain undamaged until the hedge has reached the planned height. All other shoots are lopped off to half size.

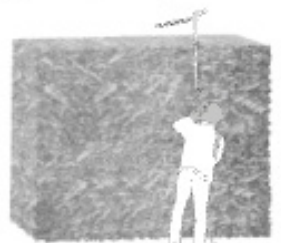
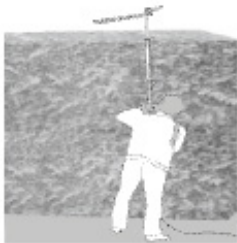
j. Care of Free-Growing Hedges:

Free-growing hedges are not shaped when cut, although they must be regularly maintained so the hedge does not become too high.



Warning! Please also observe the illustrations on page xx on how to use the hedge trimmer.

- Do not use the high pruning saw when standing on a ladder or in an unsafe position.
- Do not be tempted to make unconsidered cuts. Doing so may endanger both yourself and others.
- Children must be supervised to ensure that they do not play with the equipment.
- Long use of the equipment can result in vibration-related circulatory disorders in the hands. However, the length of use can be extended by using suitable gloves or taking regular breaks. Note that a personal tendency for poor circulation, low outdoor temperatures, or high gripping forces during work will reduce the length of use.



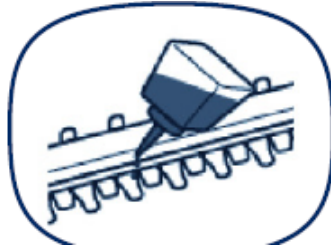
CARE AND CLEANING

1. Maintenance



WARNING! Always switch the product off, disconnect it from the power supply and let the product cool down before performing inspection, maintenance and cleaning work!

- a. Regular and proper cleaning will help ensure safe use and will prolong the life of the product.
- b. Inspect the product before each use for worn or damaged parts. Do not operate it if you find broken or worn parts.
- c. Lubricate the internal surfaces of the blades with gear grease after each use.



2. Cleaning

a. General cleaning

- 1) Switch the product off, disconnect it from the power supply and let it cool down.
- 2) Check, clean and store the product as described below.
- 3) Clean the product with a damp cloth and pH-neutral soap. Use a brush for areas that are hard to reach.
- 4) In particular clean the air vents after every use with a cloth and brush.
- 5) Remove stubborn dirt with high pressure air (max. 3 bar).



NOTE: Do not use chemical, alkaline, abrasive or other aggressive detergents or disinfectants to clean this product as they might be harmful to its surfaces.

b. Cleaning the blades



WARNING! When working on/near the blades, ensure safety gloves are worn.

- 1) Always use original spare parts when wanting to replace parts.
- 2) Keep the blades clean and free of debris. Remove trimmings.
- 3) Apply a small amount of suitable lubricant, like gear grease, on the cutting device to retain a good cutting performance.

3. Storage

- a. Store the product and its accessories in a dry, frost-free place.
- b. Always store the product in a place that is inaccessible to children. The ideal storage temperature is between 10°C and 30°C.

4. Transportation

- a. Switch the product off and disconnect from power supply before transporting it anywhere.
- b. Protect the product against scratching and secure it to avoid damage from impact.

5. After use

- a. Switch the product off, disconnect it from the power supply and let it cool down.
- b. Fold the cutting blade align to the shaft. .
- c. Check, clean and store the product as described below.

TROUBLE SHOOTING

Use this section to help you to try and solve any problems you may have:

PROBLEM	POSSIBLE CAUSES	REMEDIES
Device does not start	<ol style="list-style-type: none"> 1. Mains voltage not on 2. On/Off switch defective 3. Worn carbon brushes 4. Defective motor 	<ol style="list-style-type: none"> 1. Check plug socket, cable, line and plug, where appropriate, have repaired through electrical specialist
Device runs with interruptions	<ol style="list-style-type: none"> 1. Power cable is damaged 2. Internal loose electrical Connection 3. On/Off switch defective 	<ol style="list-style-type: none"> 1. Check the cable and have it changed by the Service Centre if necessary
Blades become hot	<ol style="list-style-type: none"> 1. Blades are blunt 2. Blades are notched 3. Too much friction due to lack of lubrication 	<ol style="list-style-type: none"> 1. Have the blades sharpened or replaced 2. Have the blades sharpened or replaced 3. Oil the blades

NOTE: IF YOU EXPERIENCE A PROBLEM WITH YOUR PRODUCT, PLEASE DO NOT ATTEMPT TO OPEN OR REPAIR THE PRODUCT YOURSELF. DOING SO MAY VOID THE WARRANTY AND COULD CAUSE DAMAGE OR PERSONAL INJURY. IF THE PROBLEM STILL PERSISTS, PLEASE CONTACT US BY REFERRING TO THE SERVICE & SUPPORT INFORMATION ON THE FOLLOWING PAGE.

DECLARATION OF CONFORMITY / PERFORMANCE



Product Code: 61144/PHCEG03A

Product Description: Hawksmoor 1010W 45cm Pole Hedge Trimmer

1. Toolstation Limited, Express Park, Bristol Road, Bridgwater, Somerset TA6 4RN

This declaration of conformity is issued under the sole responsibility of Toolstation

2. Object of the declaration

The object of the declaration described above is in conformity with the relevant Community harmonization legislation:

Supply of Machinery (Safety) Regulations 2008

2006/42/EC

Electromagnetic Compatibility Regulations 2016

2014/30/EU

Electrical Equipment (Safety) Regulations 2016

2014/35/EU

The Restriction of the Use of Certain Hazardous Substances in Electrical and Electronic Equipment Regulations 2012

2011/65/EU & (EU) 2015/863

Noise Emission in the Environment by Equipment for use Outdoors Regulations 2001

2000/14/EC amended by 2005/88/EC

2000/14/EC amended by 2005/88/EC:

-Conformity Assessment Procedure as per Annex V

-Measured Sound Power Level 99.4 dB(A)

-Declared Guaranteed Sound Power Level 103 dB(A)

3. References to the relevant standards used (or references to the specifications in relation to which conformity is declared): BS EN 62841-2; BS EN 62841-1; BS EN ISO 10517; BS EN ISO 3744, BS EN 55014-1; BS EN 55014-2; BS EN IEC 61000-3-2; BS EN 61000-3-3

4. Additional information: Signed for and on behalf of Toolstation Limited

ENVIRONMENTAL INFORMATION



The symbol on the product or its packaging indicates that this product must not be disposed of with your other household waste. Instead, it is your responsibility to dispose of your waste equipment by handing it over to a designated collection point for the recycling of waste electrical and electronic equipment. The separate collection and recycling of your waste equipment at the time of disposal will help conserve natural resources and ensure that it is recycled in a manner that protects human health and the environment. For more information about where you can drop off your waste for recycling, please contact your local authority, or where you purchased your product.

GUARANTEE

Toolstation products deliver reliable service for normal, household use in domestic settings. All Toolstation products are individually tested before leaving the factory.

If you are a consumer and you experience a problem with your Toolstation product, which is found to be defective due to faulty materials or workmanship within the Guarantee Period, this Toolstation Guarantee will cover repair or - at the discretion of Toolstation – replacement with a functionally equivalent Toolstation product.

Your product is under guarantee for 2 year from the date of purchase or the date of delivery of the product, if later.

The guarantee is subject to the following provisions:

- The guarantee does not cover accidental damage, misuse, cabinet parts, knobs, or consumable items.
- The product must be correctly installed and operated in accordance with the instructions contained in this manual.
- It must be used solely for domestic purpose.
- The guarantee will be rendered invalid if the product is re-sold or has been damaged by inexpert repair.
- Specifications are subject to change without notice.
- The manufacturer disclaims any liability for the incidental or consequential damages.
- The guarantee is in addition to, and does not diminish your statutory or legal rights.

CUSTOMER SUPPORT

www.coreservice.co.uk

Call us +44 01904 947568

Email: support@coreservice.co.uk

Made in China