



Original User's Instructions

750W Pole Saw

SKU: 26290



READ BEFORE USE

PLEASE KEEP THESE INSTRUCTIONS FOR FURTHER REFERENCE

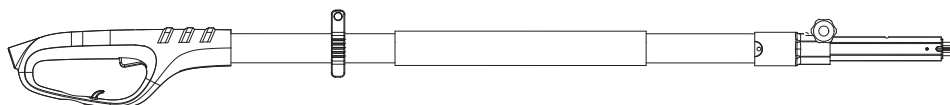
CONTENT

• WHAT'S IN THE BOX -----	3
• SPECIFICATIONS -----	4
• EXPLANATIONS AND SYMBOLS, CAUTIONS AND WARNINGS -----	5
• IMPORTANT SAFETY WARNINGS -----	8
• PRODUCT DESCRIPTION AND IDENTIFICATIONS -----	19
• ASSEMBLY AND OPERATING INSTRUCTIONS -----	20
• CARE AND CLEANING -----	29
• TROUBLE SHOOTING -----	34
• DECLARATION OF CONFORMITY / PERFORMANCE -----	35
• ENVIRONMENTAL INFORMATION -----	36
• GUARANTEE -----	37
• CUSTOMER SUPPORT -----	37

WHAT'S IN THE BOX



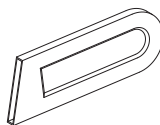
Upper part



Lower part



Shoulder strap



Bar & chain cover



Guide bar



Chain



Oil bottle

If you do not have all these items, please contact:

www.coreservice.co.uk

Hotline: +44 01904 947568

Email support@coreservice.co.uk

SPECIFICATION

Technical Data	
Model	M1L-5ET-200
Rated Voltage	230-240V~ 50Hz
Rated Power Rate (W)	750
Guide bar length/Cutting length(mm)	240/190
Chain speed (m/s)	10
Chain pitch	3/8"
Chain gauge	.050"
Oil tank capacity (cm ³)	100
Protection class	II
Net Weight (kg) approx.	3.9
Cabel/Plug	H05VV-F 2x0.75mm ² , 6m, BS plug
Aluminium telescopic pole	220cm-280cm
3-position adjustable angle	0°/15 °/30 °
Oregon Bar & Chain	080SDEA041(547980) & 91PJ033X
Adjustable shoulder strap	Yes

The sound values have been determined according to noise test code given in BS EN ISO 11680-1, using the basic standards BS EN ISO 3744 and ISO 9207.

The sound intensity level for the operator may exceed 80 dB(A) and ear protection measures are necessary.

The declared vibration value has been measured in accordance with a standard test method (according to BS EN 62841-1, BS EN ISO 11680-1) and may be used for comparing one product with another. The declared vibration value may also be used in a preliminary assessment of exposure.



WARNING! Depending on the actual use of the product the vibration values can differ from the declared total. Adopt proper measures to protect yourself against vibration exposures. Take the whole work process including times the product is running under no load or switched off into consideration.

Proper measures include among others regular maintenance and care of the product and accessories, keeping hands warm, periodical breaks and proper planning of work processes.

EXPLANATIONS AND SYMBOLS, CAUTIONS AND WARNINGS



Caution / Warning.



Read the instruction manual.



Wear hearing protection!
Wear eye protection!
Wear respiratory protection!



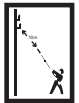
Wear protective gloves!



Wear slip-resistant, sturdy footwear!



Wear safety helmet!



Warning! Danger from overhead electric-power lines! Keep at least 10 m distance.



Switch the product off and disconnect it from the power supply before assembly, cleaning, adjustments, maintenance, storage and transportation.



Remove plug from the mains immediately if the power cord/extension cord is damaged or cut.



Objects thrown by the product could hit the user or other bystanders. Always ensure that other people and pets remain at a safe distance from the product when it is in operation. In general, children must not come near the area where the product is. Minimum distance 15m.





Kickback! Tip contact may cause the guide bar to move suddenly upward and backwards what may cause serious injury to user.



Contact of the guide bar tip with any object should be avoided.



Always use the product with two hands. Do not use only one hand when operating the product.



Do not use in rain or wet conditions.



Guaranteed sound power level value



Chain oil fill



Correct direction of cutting-teeth



Caution! Risk of injury due to running blades!



Danger of falling objects.



Double insulation. Protection class II



The product complies with the applicable European Directives and an evaluation method of conformity for these Directives was done.



UK Conformity Assessed



This marking indicates that this product should not be disposed with other household wastes. To prevent possible harm to the environment or human health from uncontrolled waste disposal, recycle it responsibly to promote the sustainable reuse of material resources.

IMPORTANT SAFETY WARNINGS

**IMPORTANT
READ CAREFULLY BEFORE USE. KEEP FOR FUTURE
REFERENCE.**

General power tool safety warnings



WARNING! Read all safety warnings and all instructions. Failure to follow the warnings and instructions may result in electric shock, fire and/or serious injury. Save all warnings and instructions for future reference.

The term “power tool” in the warnings refers to your mains-operated (corded) power tool or battery-operated (cordless) power tool.

Work area safety

1. Keep work area clean and well lit. Cluttered or dark areas invite accidents.
2. Do not operate power tools in explosive atmospheres, such as in the presence of flammable liquids, gases or dust. Power tools create sparks which may ignite the dust or fumes.
3. Keep children and bystanders away while operating a power tool. Distractions can cause you to lose control.

Electrical safety

1. Power tool plugs must match the outlet. Never modify the plug in any way. Do not use any adapter plugs with earthed (grounded) power tools. Unmodified plugs and matching outlets will reduce risk of electric shock.

2. Avoid body contact with earthed or grounded surfaces, such as pipes, radiators, ranges and refrigerators. There is an increased risk of electric shock if your body is earthed or grounded.
3. Do not expose power tools to rain or wet conditions. Water entering a power tool will increase the risk of electric shock.
4. Do not abuse the cord. Never use the cord for carrying, pulling or unplugging the power tool.
Keep cord away from heat, oil, sharp edges or moving parts. Damaged or entangled cords increase the risk of electric shock.
5. When operating a power tool outdoors, use an extension cord suitable for outdoor use. Use of a cord suitable for outdoor use reduces the risk of electric shock.
6. If operating a power tool in a damp location is unavoidable, use a residual current device (RCD) protected supply. Use of an RCD reduces the risk of electric shock.
7. If the supply cord is damaged, it must be replaced by the manufacturer, its service agent or similarly qualified persons in order to avoid a hazard.

Personal safety

1. Stay alert, watch what you are doing and use common sense when operating a power tool. Do not use a power tool while you are tired or under the influence of drugs, alcohol or medication. A moment of inattention while operating power tools may result in serious personal injury.
2. Use personal protective equipment. Always wear eye protection. Protective equipment such as dust mask, non-skid safety shoes, hard hat, or hearing protection used for appropriate conditions will reduce personal injuries.

3. Prevent unintentional starting. Ensure the switch is in the off-position before connecting to power source and/or battery pack, picking up or carrying the tool. Carrying power tools with your finger on the switch or energising power tools that have the switch on invites accidents.
4. Remove any adjusting key or wrench before turning the power tool on. A wrench or a key left attached to a rotating part of the power tool may result in personal injury.
5. Do not overreach. Keep proper footing and balance at all times. This enables better control of the power tool in unexpected situations.
6. Dress properly. Do not wear loose clothing or jewellery. Keep your hair, clothing and gloves away from moving parts. Loose clothes, jewellery or long hair can be caught in moving parts.
7. If devices are provided for the connection of dust extraction and collection facilities, ensure these are connected and properly used. Use of dust collection can reduce dust-related hazards.

Power tool use and care

1. Do not force the power tool. Use the correct power tool for your application. The correct power tool will do the job better and safer at the rate for which it was designed.
2. Do not use the power tool if the switch does not turn it on and off. Any power tool that cannot be controlled with the switch is dangerous and must be repaired.
3. Disconnect the plug from the power source and/ or the battery pack from the power tool before making any adjustments, changing accessories, or storing power tools. Such preventive safety measures reduce the risk of starting the power tool accidentally.

4. Store idle power tools out of the reach of children and do not allow persons unfamiliar with the power tool or these instructions to operate the power tool. Power tools are dangerous in the hands of untrained users.
5. Maintain power tools. Check for misalignment or binding of moving parts, breakage of parts and any other condition that may affect the power tool's operation. If damaged, have the power tool repaired before use. Many accidents are caused by poorly maintained power tools.
6. Keep cutting tools sharp and clean. Properly maintained cutting tools with sharp cutting edges are less likely to bind and are easier to control.
7. Use the power tool, accessories and tool bits etc. in accordance with these instructions, taking into account the working conditions and the work to be performed. Use of the power tool for operations different from those intended could result in a hazardous situation.

Service

1. Have your power tools serviced by a qualified repair person using only identical replacement parts. This will ensure that safety of the power tool is maintained.

Pruner safety warnings

1. Interrupt your work when you feel tired or exhausted. Make regular breaks to regenerate. A moment of inattention while operating the product may result in serious personal injury.
2. Keep all parts of the body away from the saw chain. Do not remove cut material or hold material to be cut when saw chain is moving. Make sure the switch is off when clearing jammed material. A moment of inattention while operating the product may result in serious personal injury.

3. Hold the product by insulated gripping surfaces only, because the saw chain may contact hidden wiring or its own cord. Saw chains contacting a “live” wire may make exposed metal parts of the product “live” and could give the operator an electric shock.
4. Keep cable away from cutting area. During operation the cable may be hidden in shrubs and can be accidentally cut by the blade.
5. Keep all parts of the body away from the saw chain when the product is operating. Before you start the product, make sure the saw chain is not contacting anything. A moment of inattention while operating products may cause entanglement of your clothing or body with the saw chain.
6. Always hold the product with both hands on the handle and soft grip. Holding the product with only one hand or on parts not intended for that increases the risk of personal injury and should never be done.
7. Wear safety glasses and hearing protection. Further protective equipment for head, hands, legs and feet is recommended. Adequate protective clothing will reduce personal injury by flying debris or accidental contact with the saw chain.
8. Do not operate a product in a tree. Operation of a product while up in a tree may result in personal injury.
9. Always keep proper footing and operate the product only when standing on fixed, secure and level surface. Slippery or unstable surfaces such as ladders may cause a loss of balance or control of the product.
10. When cutting a limb that is under tension be alert for spring back. When the tension in the wood fibres is released the spring loaded limb may strike the operator and/or throw the product out of control.
11. Use extreme caution when cutting brush and saplings. The slender material may catch the saw chain and be whipped toward you or pull you off balance.

12. Carry the product by the soft grip with the product switched off and away from your body. When transporting or storing the product always fit the guide bar cover. Proper handling of the product will reduce the likelihood of accidental contact with the moving saw chain.
13. Follow instructions for lubricating, chain tensioning and changing accessories. Improperly tensioned or lubricated chain may either break or increase the chance for kickback.
14. Keep handles dry, clean, and free from oil and grease. Greasy, oily handles are slippery causing loss of control.
15. Cut wood only. Do not use product for purposes not intended. For example: do not use product for cutting plastic, masonry or non-wood building materials. Use of the product for operations different than intended could result in a hazardous situation.
16. Pay attention to national and local regulations. National and local regulations may restrict the use of this product.
17. Only use replacement guide bars and saw chains specified by the manufacturer or equivalent replacements. Using non-approved cutting attachments can result in personal injuries and damage to property.
18. Before using the product and after any impact or dropping, check for signs of wear or damage and repair as necessary.
19. Never remove or modify any guard or safety component. Ensure that guards and other safety components necessary for machine operation are in position, in good working condition and properly maintained to avoid injuries.
20. Training of all operation is necessary for first-time and inexperienced operator.
21. Remove branches in section.
22. Use the harness provided.

Causes and operator prevention of kickback

Kickback may occur when the nose or tip of the guide bar touches an object, or when the wood closes in and pinches the saw chain in the cut.

Tip contact in some cases may cause a sudden reverse reaction, kicking the guide bar up and back towards the operator.

Pinching the saw chain along the top of the guide bar may push the guide bar rapidly back towards the operator.

Either of these reactions may cause you to lose control of the saw which could result in serious personal injury. Do not rely exclusively upon the safety devices built into your saw. As a product user, you should take several steps to keep your cutting jobs free from accident or injury.

Kickback is the result of tool misuse and/or incorrect operating procedures or conditions and can be avoided by taking proper precautions as given below:

1. Maintain a firm grip, with thumbs and fingers encircling the product handles, with both hands on the saw and position your body and arm to allow you to resist kickback forces. Kickback forces can be controlled by the operator, if proper precautions are taken. Do not let go of the product.
2. Do not overreach. This helps prevent unintended tip contact and enables better control of the product in unexpected situations.
3. Only use replacement bars and chains specified by the manufacturer. Incorrect replacement bars and chains may cause chain breakage and/or kickback.
4. Follow the manufacturer's sharpening and maintenance instructions for the saw chain. Decreasing the depth gauge height can lead to increased kickback.

Vibration and noise reduction

To reduce the impact of noise and vibration emission, limit the time of operation, use low-vibration and low- noise operating modes as well as wear personal protective equipment.

Take the following points into account to minimize the vibration and noise exposure risks:

1. Only use the product as intended by its design and these instructions.
2. Ensure that the product is in good condition and well maintained.
3. Use correct application tools for the product and ensure they in good condition.
4. Keep tight grip on the handles/grip surface.
5. Maintain this product in accordance with these instructions and keep it well lubricated (where appropriate).
6. Plan your work schedule to spread any high vibration tool use across a longer period of time.

The European Physical Agents (Vibration) Directive has been brought in to help reduce hand arm vibration syndrome injuries to users of product's with vibration emission. The directive requires manufacturers and suppliers to provide indicative vibration test results to enable users to make informed decisions as to the period of time a product can be used safely on a daily basis and the choice of tool. Further advice can be found at www.hse.gov.uk

Emergency

Familiarise yourself with the use of this product by means of this instruction manual. Memorise the safety directions and follow them to the letter. This will help to prevent risks and hazards.

1. Always be alert when using this product, so that you can recognise and handle risks early. Fast intervention can prevent serious injury and damage to property.

2. Switch off and disconnect from the power supply if there are malfunctions. Have the product checked by a qualified professional and repaired, if necessary, before you operate it again.

Residual risks

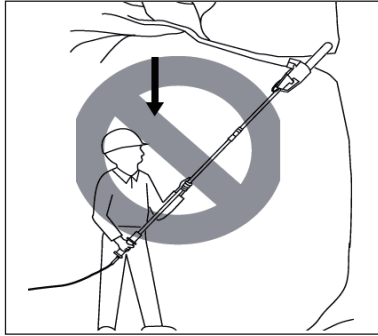
Even if you are operating this product in accordance with all the safety requirements, potential risks of injury and damage remain. The following dangers can arise in connection with the structure and design of this product:

1. Health defects resulting from vibration emission if the product is being used over long periods of time or not adequately managed and properly maintained.
2. Injuries and damage to property due to broken accessories or the sudden impact of hidden objects during use.
3. Danger of injury and property damage caused by flying objects.
4. Prolonged use of this product expose the operator to vibrations and may produce 'whitefinger' disease. In order to reduce the risk, please wear gloves and keep your hands warm. If any of the 'whitefinger' symptoms appear, seek medical advice immediately. 'Whitefinger' symptoms include: numbness, loss of feeling, tingling, pricking, pain, loss of strength, changes in skin colour or condition. These symptoms normally appear in the fingers, hands or wrists. The risk increases at low temperatures.

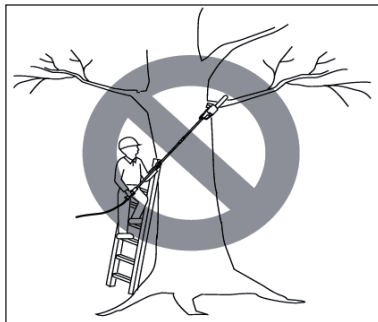


WARNING! This product produces an electromagnetic field during operation! This field may under some circumstances interfere with active or passive medical implants! To reduce the risk of serious or fatal injury, we recommend persons with medical implants to consult their doctor and the medical implant manufacturer before operating this product!

Pole saw trimming precautions



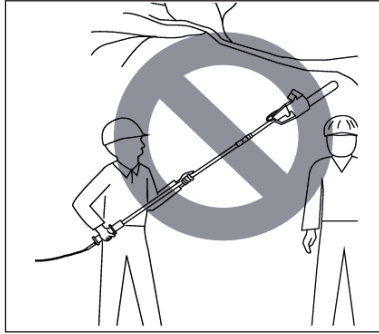
Never stand directly under the limb you are trimming. Always position yourself out of the path of falling debris.



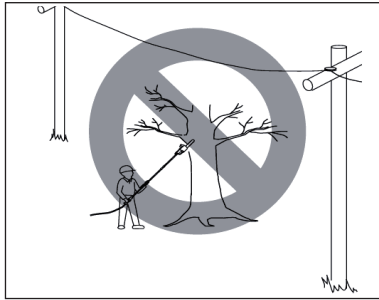
Never stand on a ladder or other type of unstable support while using the pole saw.

Always use both hands when operating pole saw. Keep a firm, steady pressure on the pole saw while cutting but do not try to force the saw through the wood.

Do not use the pole saw to cut limbs larger in diameter than the length of the guide bar.

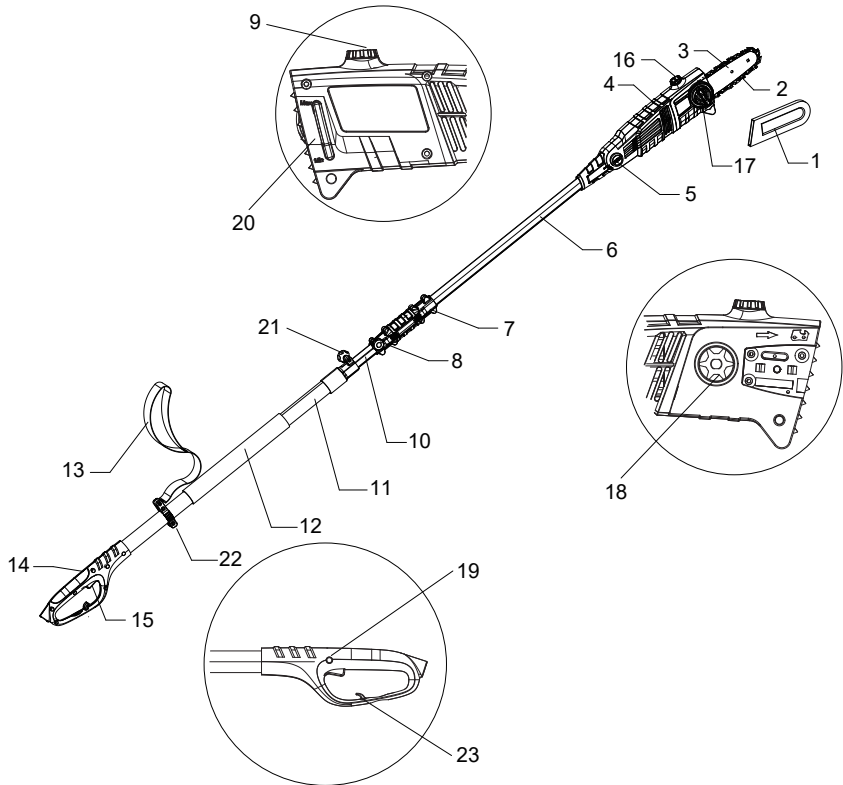


Keep other persons away from cutting end of pole saw and at a safe distance from work area.



Do not use pole saw near cable, electric power or telephone lines. Maintain a minimum clearance of 3 metres from all power lines.

PRODUCT DESCRIPTION AND IDENTIFICATIONS



- | | |
|-------------------------------|------------------------------------|
| 1. Bar and chain cover | 13. Shoulder strap |
| 2. Saw chain | 14. Rear handle |
| 3. Guide bar | 15. Trigger switch On/Off |
| 4. Power head | 16. Oil cap |
| 5. Angle adjustment button | 17. SDS tension system |
| 6. Extension pole | 18. Sprocket |
| 7. Link collet | 19. Trigger lock-off switch |
| 8. Locking nut of link collet | 20. Oil gauge |
| 9. Oil cap | 21. Locking nut of telescopic pole |
| 10. Telescopic pole | 22. Seat of shoulder strap |
| 11. Lower pole | 23. Cable clip |
| 12. Soft grip sleeve | |

Not all the accessories illustrated or described are included in standard delivery.

ASSEMBLY AND OPERATING INSTRUCTIONS

Intended use/Not intended use

The chainsaw with telescoping arm is intended for removing branches from trees. It is not suitable for extensive sawing work and felling trees or for the sawing of materials other than wood. Please observe that our machine was not designed for use in commercial, technical or industrial applications. We assume no liability if the machine is used in commercial, technical or industrial applications or for equivalent activities.

Pole saw assembly

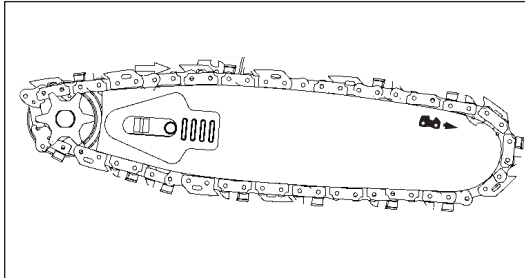
A. Saw Chain Assembly



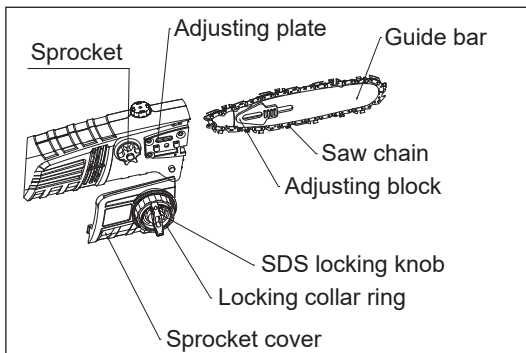
WARNING: Cutting edges on chain are sharp. Use protective gloves when handling saw chain. The machine must be unplugged before any assembly activities.

The guide bar and saw chain are supplied separately (use only a guide bar and saw chain according to the technical data of the pole saw). To prevent injury on the sharp cutting edges, always wear gloves when assembling, tensioning and checking the chain.

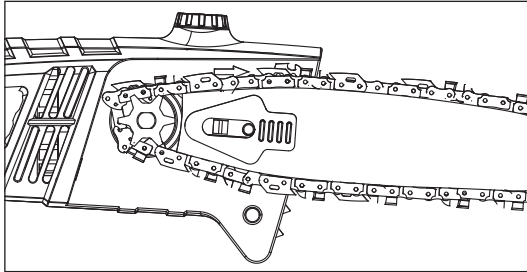
Before assembling the guide bar with the saw chain, check the cutting direction of the teeth: The running direction is marked with an arrow.



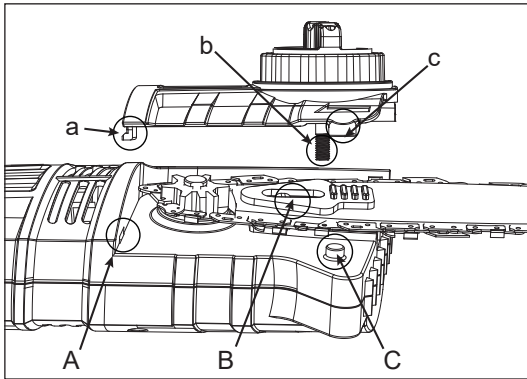
Place the product on a suitable flat surface with the sprocket cover facing upwards.



Place the saw chain round the sprocket and make sure it is correctly mounted.

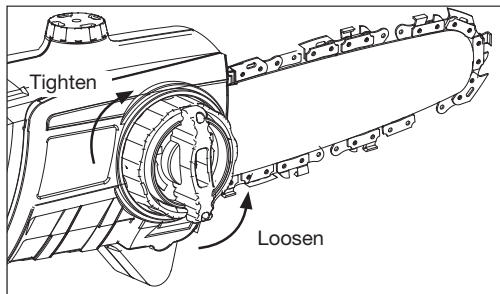


Using one hand to hold the bar and chain. Place the guide sprocket cover on top. Make sure part a, b, c of the cover match the corresponding positions A, B, C on the machine, and they are firmly fixed together. You may hear the click when part c is successfully inserted which means the sprocket cover is fitted.



Tensioning the saw chain. Always pull the plug out of the power socket before doing any work on the chainsaw and wear safety gloves.

Tighten: Rotate the locking collar ring to fix guide bar. Then gently press the SDS locking knob and rotate it clockwise at the same time to tighten the tension on the chain until the sprocket cover is firmly attached on machine, which is ensuring the chain and bar are securely fitted.



Loosen: Rotate the SDS locking knob counter-clockwise to loosen the tension on the chain. Turn slowly and continually check the tension until the correct adjustment is made.

Do not over-tension chain. Over-tensioning will cause excessive wear and will reduce the life of the guide bar and chain. After chain tension is correct, tighten guide bar SDS locking knob firmly.

See more detail about saw chain tension on Page 24.

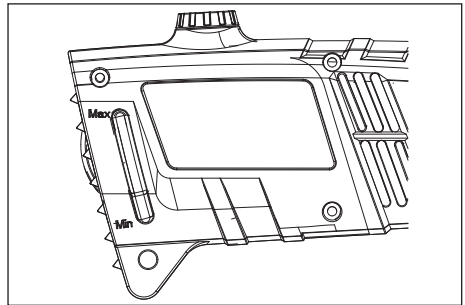
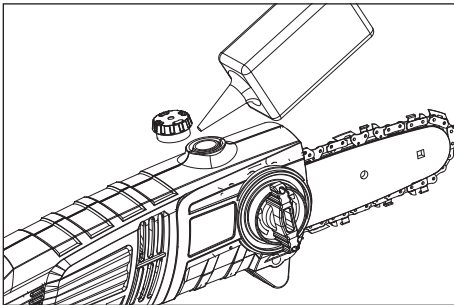
Adding chain oil:

To prevent dirt contaminating the tank, clean the oil tank cap before opening. Wipe away any oil spills and finger tighten the oil cap. Ensure the oil level is continually observed when in use by viewing the oil gauge.

The bar and chain will be lubricated automatically during use and should never be allowed to run dry. If the pole saw is operated without chain oil, excessive friction will be created causing severe damage to the bar and chain.

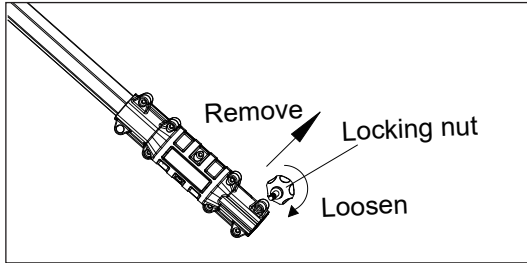
Never use the saw when the oil level is below the "Min." mark.

- a. Min.: When only approx. 5ml of oil is visible at the lower rim of the oil gauge, you must top up with oil.
- b. Max.: Top up with oil until the window is full.

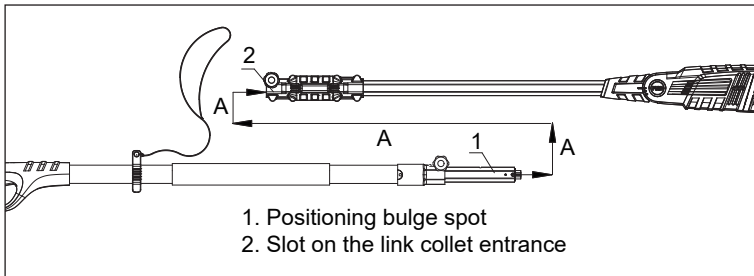


B. Component Assembly

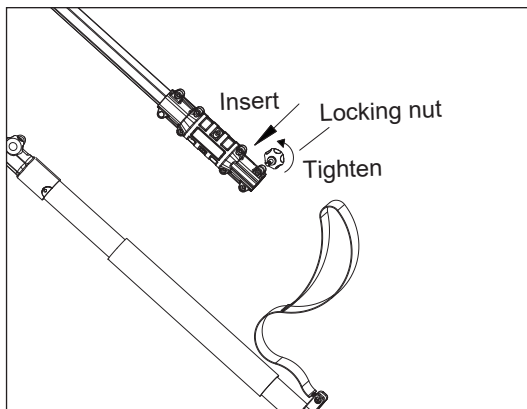
1. Loosen and remove the locking nut of the link collet(8).



2. Loosen the locking nut(21) on the lower pole so the telescopic pole is able to be pulled out to a desired length for connection to the link collet. Insert the telescopic pole(10) into the link collet in direction A until it is fully connected and the dent on the telescopic pole located in the middle of the path of locking nut (8). Make sure that the positioning bulge spot matches the slot on the link collet entrance so the telescopic pole is able to be inserted and fully connected.



3. Insert the locking nut into the screw hole, then firmly tighten locking nut. Make sure that connection is fully secured. After the telescopic pole is well connected, tighten the locking nut (21) to secure the desired length of telescopic pole.



Saw chain tension



WARNING:Unplug chain saw from power source before adjusting saw chain tension. Severe injury or death could occur from body contact with moving chain.



WARNING: Cutting edges on chain are sharp. Use protective gloves when handling chain.

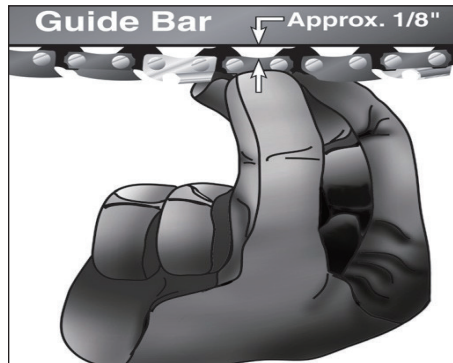


WARNING: When cleaning saw body,

- do not submerge saw in any liquids
- do not use products that contain ammonia, chlorine, or abrasives
- do not use chlorinated cleaning solvents, carbon tetrachloride, kerosene, or gasoline

(Note: A new chain will stretch. Check new chain tension frequently (after disconnecting the plug from the power source) during the first 2 hours of operation. Allow chain to cool down. Follow steps below to check saw chain tension.)

1. Unplug chain saw from power source.
2. Place chain saw on a firm surface to check chain tension.
3. Pull chain with light force 1/8" away from bottom of guide bar and release. If chain lightly snaps back into place, tension is correct.



Switching on/off

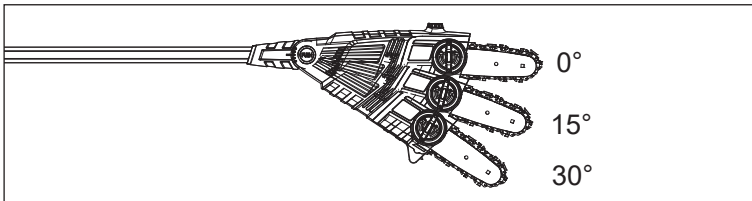
1. Ensure the saw chain does not come into contact with anything before starting the product.
2. Grip the product with both hands, your left hand holding the soft grip sleeve (12) and your right hand holding the rear handle. Do not start the product while handling it with one hand.
3. Push the lock-off button forward with your right thumb, then fully depress the on/off trigger with your index fingers and hold it.
4. Release the on/off trigger to switch the product off.



WARNING! The product will continue to work for some time even after the motor has been switched off! Wait until it comes to a complete stop before putting the product down.

Adjusting power head angle:

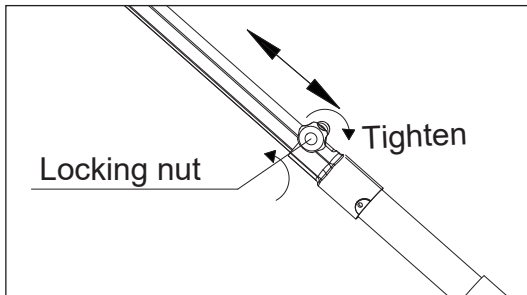
1. The angle of power head can be set to 3 different working positions. 0 degree, 15 degrees and 30 degrees.
2. Push the adjust button (marked with "PUSH") with one hand and adjust the head to the required cutting angle. Once set the adjusting button will automatically lock the head in position.



Adjusting Pole Length

The pole saw has a telescopic pole that will extend from 2.2 meters (fully retracted) to 2.8 meters (fully extended). The telescopic pole nut (21) is used to hold the pole in position at the required length.

1. To extend the pole, loosen the locking nut allowing the pole to slide freely.
2. Pull inner pole section out to desired length of extension. Note: Only extend pole to minimum length required to reach limb that is being cut.
3. To lock pole in position, tighten locking nut.

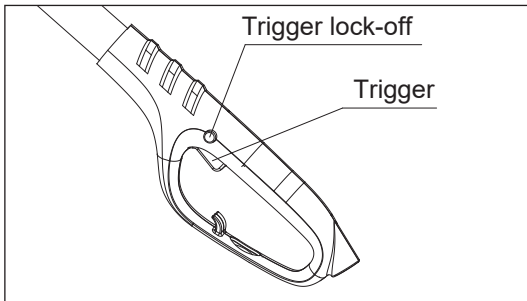


Cutting with the chain saw

1. Ensure there is sufficient chain oil in the tank.
2. Connect power cord to power supply.
3. Use both hands to grip pole saw. Use designated grip areas and strap when operating pole saw with a firmly grip and fingers must wrap around pole saw handle and pole.
4. Make sure your footing is firm. Keep feet apart. Divide your weight evenly on both feet.



5. When ready to make a cut, press in trigger lock-off button and squeeze trigger. This will turn the pole saw on. Releasing trigger will turn the pole saw off. Make sure saw is running before starting a cut.



6. When starting a cut, place moving chain against wood. Hold pole saw firmly in place to avoid possible bouncing or skating (sideways movement) of saw.

7. Remove pole saw from a cut with saw running at full speed. Stop pole saw by releasing trigger. Make sure chain has stopped before setting pole saw down.



NOTE: Always dispose of lubricant, used oil and objects contaminated with them in accordance with local regulations.

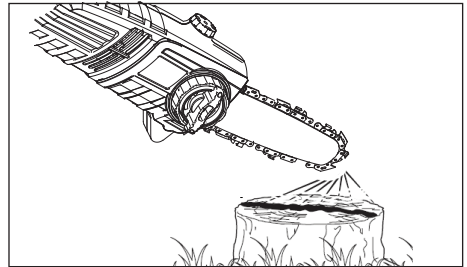
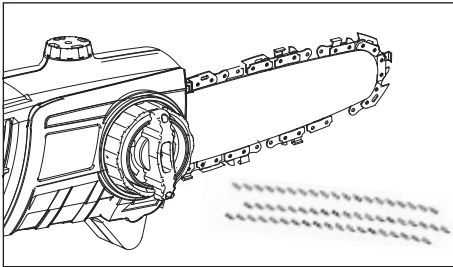


NOTE: Perform the following test before operating your product.

This product is equipped with an automatic oiling system. The oiling system automatically delivers the proper amount of oil to the bar and chain.

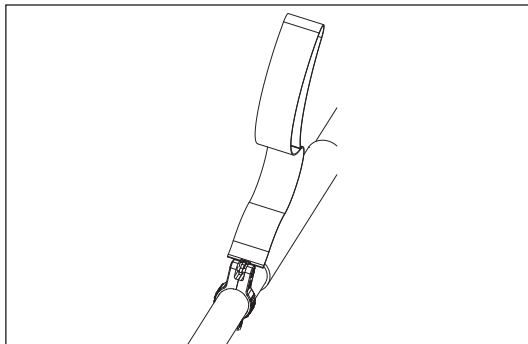
Checking the lubrication requires starting the product. Before checking, the product must be fully assembled and all instructions must have been read.

1. Make sure the guide bar and the saw chain are in place when checking the automatic chain lubrication is functioning.
2. Start the product, keep it running at no load and check if the chain oil is delivered as shown in the image.

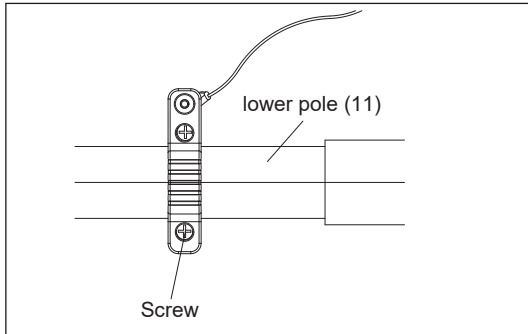


WARNING! Always attach the product to the shoulder strap. Do not carry it only with your hands!

1. Attach the clip of the shoulder strap to the seat of the shoulder strap (22).
2. Place the shoulder strap so that it runs over your right shoulder. The securing clip must be located at the right hip.



3. Open the clip to remove the shoulder strap from the loop.
4. The position of the seat retainer should be positioned so providing maximum comfort and control. Loosen the screw and move the seat retainer back and forward along the pole. It's recommended to locate the seat retainer within the range about 30cm from the soft grip sleeve. After adjustment, re-tighten the screw.



CARE AND CLEANING



INJURY WARNING: Always wear protective gloves when working on or around cutting equipment.

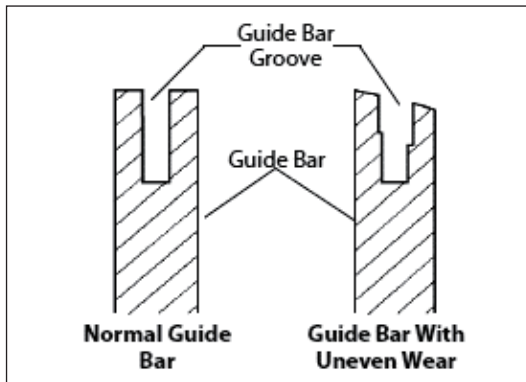
Cleaning saw body

Keep saw body clean. Use a soft cloth dampened with a mild soap and water mixture. Wipe saw body to clean.

Care of guide bar

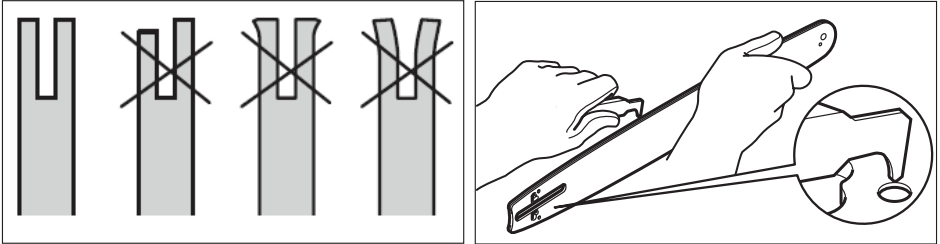
Uneven bar wear causes most guide bar problems. Incorrect sharpening of chain cutter and depth gauge settings often cause this. When bar wears unevenly, it widens guide bar groove. This causes chain clatter and rivet popping. Saw will not cut straight. Replace guide bar if this occurs.

Inspect guide bar before sharpening chain. A worn or damaged guide bar is unsafe. A worn or damaged guide bar will damage chain. It will also make cutting more difficult.



Normal Guide Bar Maintenance

1. Remove guide bar from chain saw.
2. Remove sawdust from guide bar groove periodically. Use putty knife or wire.
3. Clean oil slots after each day of use.
4. Remove burrs from sides of guide bar. Use flat file to make side edges square. Replace guide bar when
 - bar is bent or cracked
 - inside groove of bar is badly worn



Sharpening saw chain

Keep chain sharp. Your saw will cut faster and more safely. A dull chain will cause undue sprocket, guide bar, chain, and motor wear. If you have to force chain into wood and cutting creates only sawdust with few large chips, chain is dull.

Items Needed to Sharpen Chain

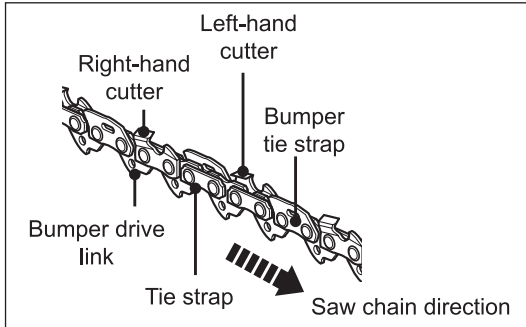
Purchase these items from your local dealer, hardware store, or pole saw supplies outlet.

- 5/32" (4mm) round file
- Depth gauge tool
- File guide
- Vise
- Medium sized flat file

Sharpening Cutters

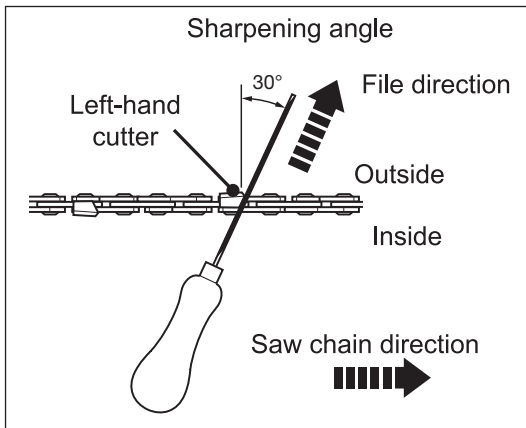
Use file guide for 30° filing.

1. Adjust chain for proper tension.
2. Clamp guide bar in vise to hold saw steady. (Note: Do not clamp chain.)
3. Press 5/32" round file (attached to file guide) into groove between top plate and depth gauge on chain. File guide should rest on both top plate and depth gauge. (Note: File at midpoint of guide bar.)



Note: This illustration shows file guide placement and filing direction for sharpening cutters on left side of chain.

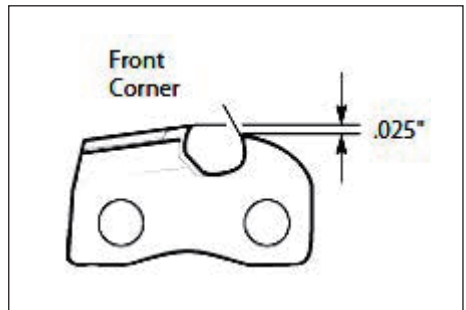
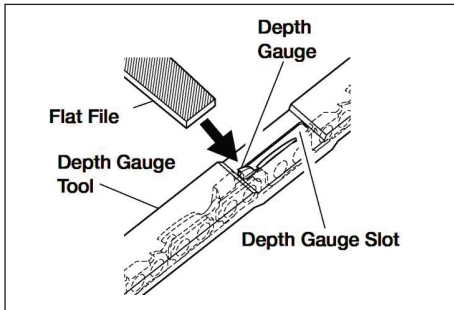
4. Hold file guide level. Make sure 30° mark on file guide is parallel to center of guide bar. This will insure that you file cutters at 30° angle.
5. File from inside towards outside of cutter until sharp. Only file in this one direction. (Note: Two or three strokes with file should sharpen cutter.)



Filing Cutter Depth Gauges

The cutter depth gauge clearance is reduced as cutters are sharpened. After every second or third sharpening, reset cutter depth gauges.

1. Place depth gauge tool (.025") firmly across top of two cutters. Make sure depth gauge enters slot in depth gauge tool.
2. Use medium flat file. File depth gauge level with depth gauge tool.
3. Remove depth gauge tool. With flat file, round off front corner of cutter depth gauge.

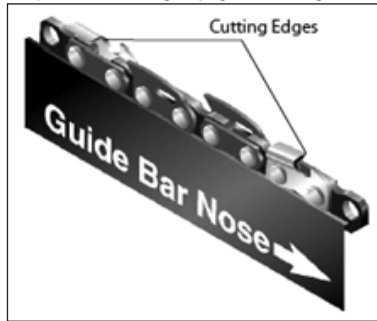


Replacing saw chain

IMPORTANT: Do not clamp chainsaw in vise to replace saw chain or guide bar.

Replace chain when cutters are too worn to sharpen or when chain breaks. Only use replacement chain noted in this manual. Refer to saw chain assembly on page 20 to page 21 while completing the following steps.

1. Loosen and remove SDS system.
2. Remove sprocket cover.
3. Remove saw chain.
4. Place new chain around drive sprocket, along top groove of guide bar, and around guide bar nose.



Note: Make sure cutting edges of chain are facing in right direction. Position chain so cutting edges on top of guide bar face guide bar nose (see the graph below and indicator on side cover of saw).

5. Before placing sprocket cover into positioning groove, verify that the adjusting nib is in the adjusting hole on the guide bar.
6. Place sprocket cover into positioning groove.
7. Locking the sprocket cover with SDS system. (IMPORTANT: finger tighten only.)

CAUTION: Do not place chain on saw backwards. If chain is backwards, saw will vibrate badly and will not cut.

STORAGE

If storing saw for more than 30 days, follow steps below.

1. Drain oil tank after each use.
2. Remove and clean guide bar and chain. Clean guide bar and chain by soaking in petroleum based solvent or mild soap and water mixture.
3. Dry guide bar and chain.
4. Place chain in container filled with oil. This will prevent rust.
5. Wipe a thin coating of oil over surface of guide bar.
6. Wipe off outside of saw body. Do this with soft cloth dampened with a mild soap and water mixture.
7. Store chain saw
 - in a high or locked place, out of children's reach
 - in a dry place

TROUBLE SHOOTING

Use this section to help you to try and solve any problems you may have:

Problem	Possible cause	Remedy
1. Product does not start	1.1 Not connected to power supply 1.2 Power cord or plug is defective 1.3 Other electrical defect to the product	1.1 Connect to power supply 1.2 Check by a specialist electrician 1.3 Check by a specialist electrician
2. Product does not reach full power	2.1 Extension cord not suitable for operation with this product 2.2 Power source (e.g. generator) has too low voltage 2.3 Air vents are blocked	2.1 Use a proper extension cord 2.2 Connect to another power source 2.3 Clean the air vents
3. Unsatisfactory cutting performance	3.1 Saw chain not tensioned properly 3.2 Saw chain is dull/ damaged	3.1 Tension properly 3.2 Sharpen or replace the saw chain
4. Excessive vibration/ noise	4.1 Saw chain is dull/ damaged 4.2. Bolts/nuts are loosen	4.1. Sharpen or replace the saw chain 4.2. Tighten bolts/nuts

NOTE: IF YOU EXPERIENCE A PROBLEM WITH YOUR MACHINE, PLEASE DO NOT ATTEMPT TO OPEN OR REPAIR THE MACHINE YOURSELF. DOING SO MAY VOID THE WARRANTY AND COULD CAUSE DAMAGE OR PERSONAL INJURY. IF THE PROBLEM STILL PERSISTS, PLEASE CONTACT US BY REFERRING TO THE SERVICE & SUPPORT INFORMATION ON THE FOLLOWING PAGE.

DECLARATION OF CONFORMITY / PERFORMANCE



Product Code 26290 (M1L-5ET-200)

Product Description Hawksmoor 750W Pole saw

1. Toolstation Limited, Express Park, Bristol Road, Bridgwater, Somerset TA6 4RN

This declaration of conformity is issued under the sole responsibility of Toolstation

2. Object of the declaration

The object of the declaration described above is in conformity with the relevant Community harmonization legislation:

Supply of Machinery (Safety) Regulations 2008

2006/42/EC

Electromagnetic Compatibility Regulations 2016

2014/30/EU

The Restriction of the Use of Certain Hazardous Substances in Electrical and Electronic Equipment Regulations 2012

2011/65/EU&(EU)2015/863

2000/14/EC amended by 2005/88/EC:

-Conformity Assessment Procedure as per :Annex III

-Measured Sound Power level:101.2dB(A)

-Guaranteed Sound Power level:104dB(A)

3. References to the relevant standards used (or references to the specifications in relation to which conformity is declared:

BS EN 62841-1

BS EN ISO 11680-1

BS EN 55014-1

BS EN 55014-2

BS EN 61000-3-2

BS EN 61000-3-3

4. Additional information:

Signed for and on behalf of Toolstation Limited

ENVIRONMENTAL INFORMATION



The symbol on the product or its packaging indicates that this product must not be disposed of with your other household waste. Instead, it is your responsibility to dispose of your waste equipment by handing it over to a designated collection point for the recycling of waste electrical and electronic equipment. The separate collection and recycling of your waste equipment at the time of disposal will help conserve natural resources and ensure that it is recycled in a manner that protects human health and the environment. For more information about where you can drop off your waste for recycling, please contact your local authority, or where you purchased your product.

GUARANTEE

Toolstation products deliver reliable service for normal, household use in domestic settings. All Toolstation products are individually tested before leaving the factory.

If you are a consumer and you experience a problem with your Toolstation product, which is found to be defective due to faulty materials or workmanship within the Guarantee Period, this Toolstation Guarantee will cover repair or - at the discretion of Toolstation – replacement with a functionally equivalent Toolstation product.

Your product is under guarantee for 2 year from the date of purchase or the date of delivery of the product, if later.

The guarantee is subject to the following provisions:

- The guarantee does not cover accidental damage, misuse, cabinet parts, knobs, or consumable items.
- The product must be correctly installed and operated in accordance with the instructions contained in this manual.
- It must be used solely for domestic purpose.
- The guarantee will be rendered invalid if the product is re-sold or has been damaged by inexpert repair.
- Specifications are subject to change without notice.
- The manufacturer disclaims any liability for the incidental or consequential damages.
- The guarantee is in addition to, and does not diminish your statutory or legal rights.

CUSTOMER SUPPORT

www.coreservice.co.uk

Call us +44 01904 947568

Email: support@coreservice.co.uk

Made in China