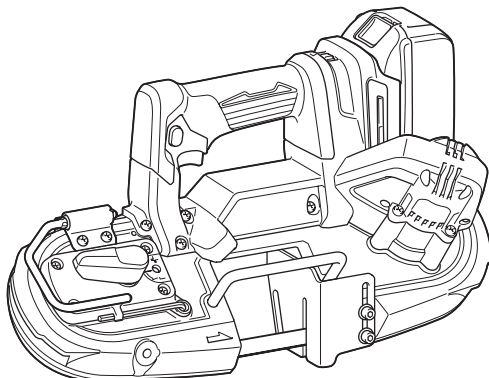




<b>EN</b>	<b>Cordless Portable Band Saw</b>	<b>INSTRUCTION MANUAL</b>	<b>5</b>
<b>SV</b>	<b>Sladdlös portabel bandsåg</b>	<b>BRUKSANVISNING</b>	<b>11</b>
<b>NO</b>	<b>Batteridrevet bærbar båndsaag</b>	<b>BRUKSANVISNING</b>	<b>17</b>
<b>FI</b>	<b>Akkukäyttöinen kannettava vannesaha</b>	<b>KÄYTTÖOHJE</b>	<b>23</b>
<b>DA</b>	<b>Akku bærbar båndsav</b>	<b>BRUGSANVISNING</b>	<b>29</b>
<b>LV</b>	<b>Bezvada pārnēsājams lentzāģis</b>	<b>LIETOŠANAS INSTRUKCIJA</b>	<b>35</b>
<b>LT</b>	<b>Nešiojamas juostinis pjūklas be jungiamųjų laidų</b>	<b>NAUDOJIMO INSTRUKCIJA</b>	<b>41</b>
<b>ET</b>	<b>Teisaldatav juhtmeta lintsaag</b>	<b>KASUTUSJUHEND</b>	<b>47</b>
<b>RU</b>	<b>Аккумуляторная ленточная пила</b>	<b>РУКОВОДСТВО ПО ЭКСПЛУАТАЦИИ</b>	<b>53</b>

## DPB183



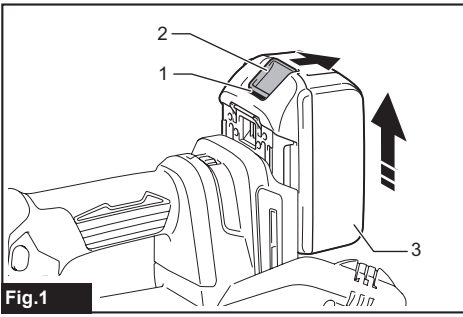


Fig.1

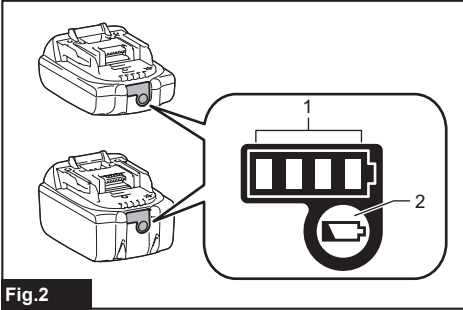


Fig.2

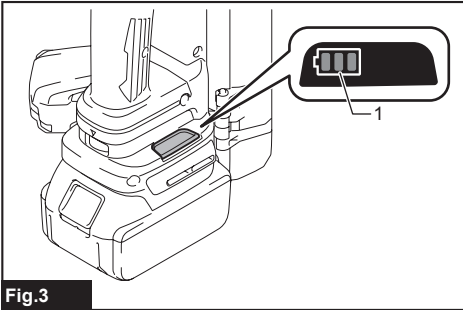


Fig.3

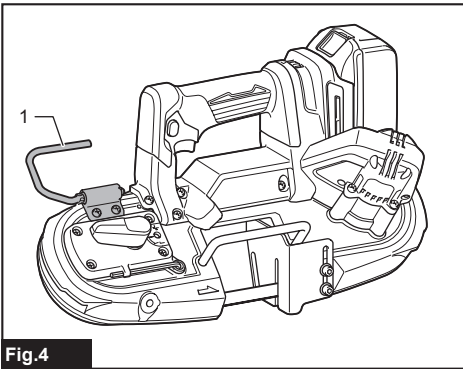


Fig.4

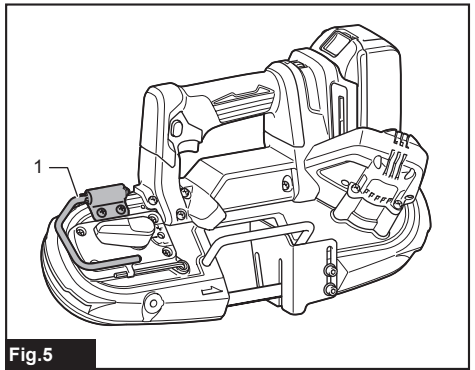


Fig.5

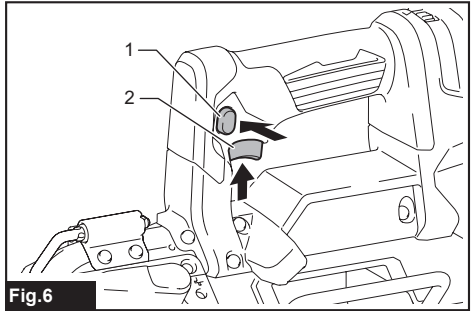


Fig.6

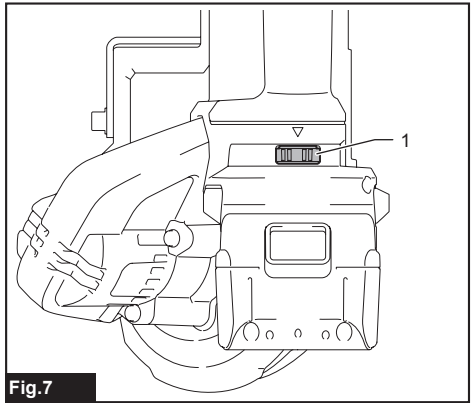


Fig.7

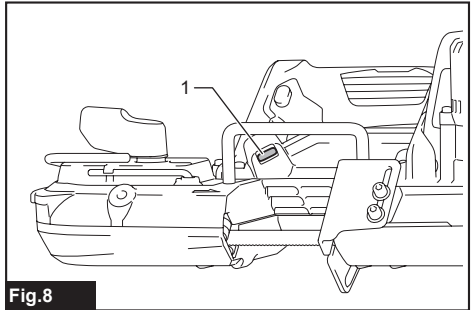


Fig.8

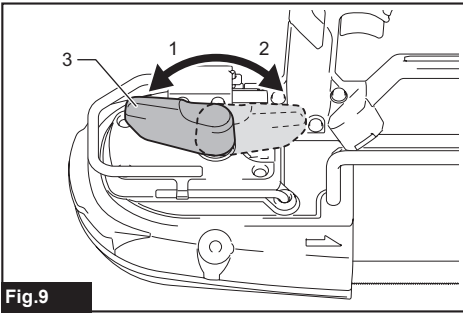


Fig.9

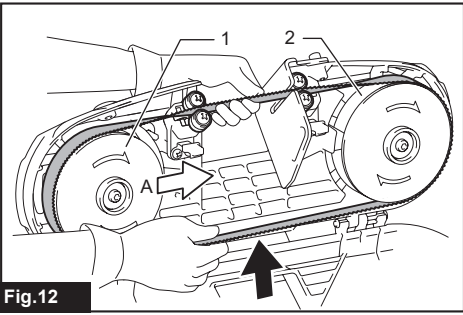


Fig.12

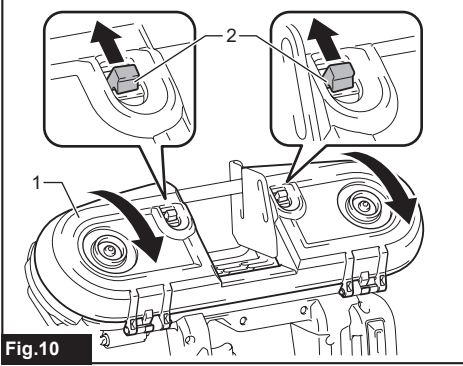


Fig.10

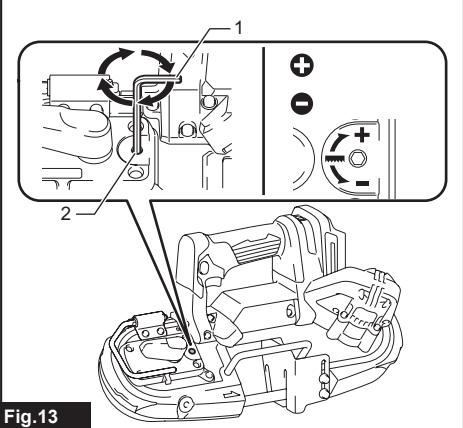


Fig.13

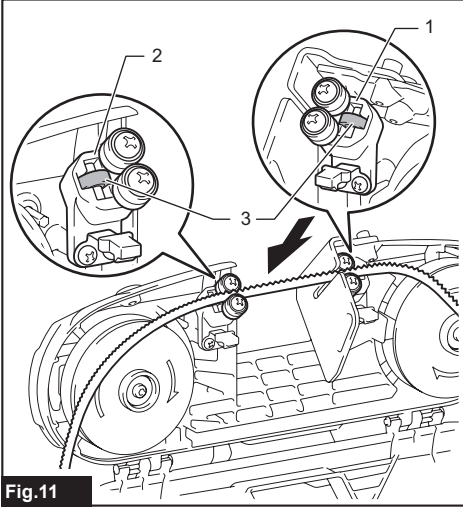


Fig.11

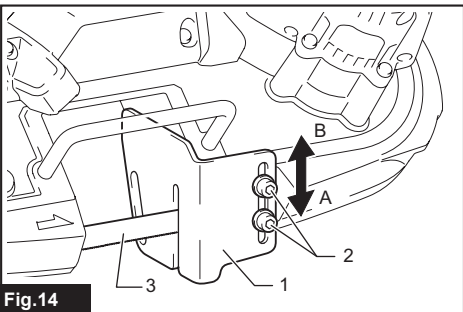


Fig.14

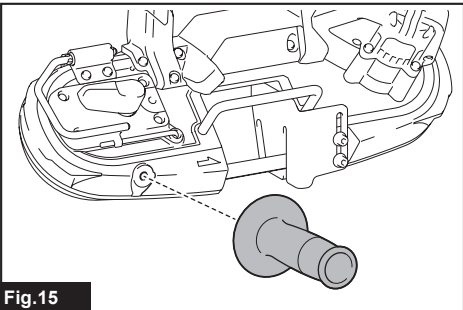


Fig.15

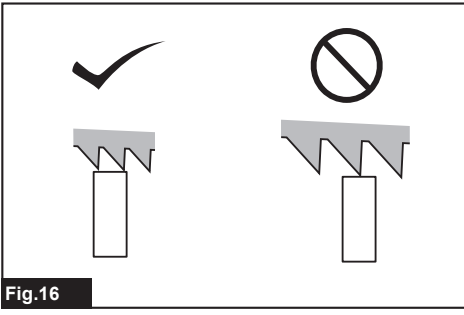


Fig.16

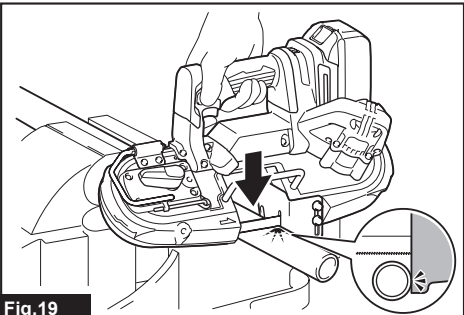


Fig.19

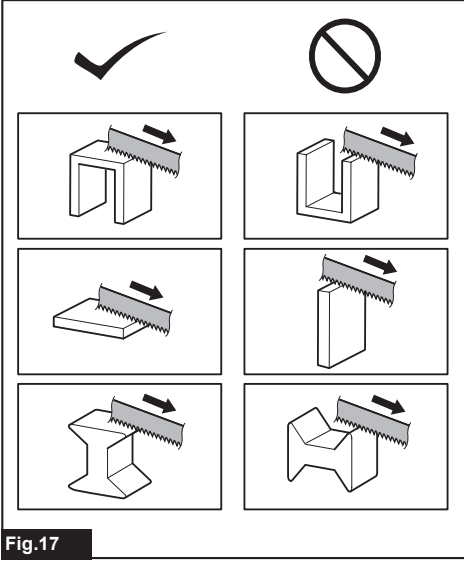


Fig.17

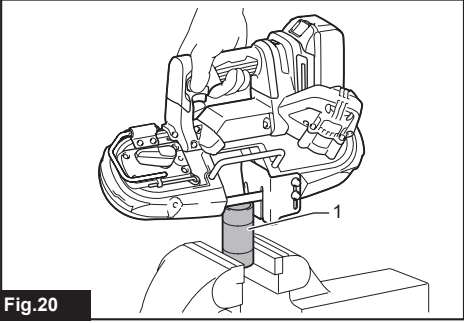


Fig.20

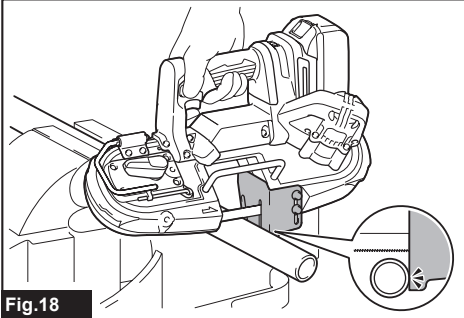


Fig.18

# SPECIFICATIONS

<b>Model:</b>		<b>DPB183</b>
Max. cutting capacity	Round workpiece	66 mm dia.
	Rectangular workpiece	66 mm x 66 mm
Blade speed		0 - 3.2 m/s (0 - 190 m/min)
Blade size	Length	835 mm
	Width	13 mm
	Thickness	0.5 mm
Dimensions (L x W x H) without wheel cover		392 mm x 174 mm x 242 mm
Rated voltage		D.C. 18 V
Net weight without wheel cover		3.6 - 3.9 kg

- Due to our continuing program of research and development, the specifications herein are subject to change without notice.
- Specifications may differ from country to country.
- The weight may differ depending on the attachment(s), including the battery cartridge. The lightest and heaviest combination, according to EPTA-Procedure 01/2014, are shown in the table.

## Applicable battery cartridge and charger

Battery cartridge	BL1815N / BL1820 / BL1820B / BL1830 / BL1830B / BL1840 / BL1840B / BL1850 / BL1850B / BL1860B
Charger	DC18RC / DC18RD / DC18RE / DC18SD / DC18SE / DC18SF / DC18SH

- Some of the battery cartridges and chargers listed above may not be available depending on your region of residence.

**⚠ WARNING:** Only use the battery cartridges and chargers listed above. Use of any other battery cartridges and chargers may cause injury and/or fire.

### Intended use

The tool is intended for cutting in plastic and ferrous materials.

### Noise

The typical A-weighted noise level determined according to EN60745-2-20:

Sound pressure level ( $L_{pA}$ ) : 80 dB(A)

Uncertainty (K) : 3 dB(A)

The noise level under working may exceed 80 dB (A).

**NOTE:** The declared noise emission value(s) has been measured in accordance with a standard test method and may be used for comparing one tool with another.

**NOTE:** The declared noise emission value(s) may also be used in a preliminary assessment of exposure.

**⚠ WARNING:** Wear ear protection.

**⚠ WARNING:** The noise emission during actual use of the power tool can differ from the declared value(s) depending on the ways in which the tool is used especially what kind of workpiece is processed.

**⚠ WARNING:** Be sure to identify safety measures to protect the operator that are based on an estimation of exposure in the actual conditions of use (taking account of all parts of the operating cycle such as the times when the tool is switched off and when it is running idle in addition to the trigger time).

### Vibration

The vibration total value (tri-axial vector sum) determined according to EN60745-2-20:

Work mode: cutting metal

Vibration emission ( $a_{h,M}$ ) : 2.5 m/s<sup>2</sup> or less

Uncertainty (K) : 1.5 m/s<sup>2</sup>

**NOTE:** The declared vibration total value(s) has been measured in accordance with a standard test method and may be used for comparing one tool with another.

**NOTE:** The declared vibration total value(s) may also be used in a preliminary assessment of exposure.

**⚠ WARNING:** The vibration emission during actual use of the power tool can differ from the declared value(s) depending on the ways in which the tool is used especially what kind of workpiece is processed.

**⚠ WARNING:** Be sure to identify safety measures to protect the operator that are based on an estimation of exposure in the actual conditions of use (taking account of all parts of the operating cycle such as the times when the tool is switched off and when it is running idle in addition to the trigger time).

## EC Declaration of Conformity

### For European countries only

The EC declaration of conformity is included as Annex A to this instruction manual.

# SAFETY WARNINGS

## General power tool safety warnings

**⚠ WARNING:** Read all safety warnings, instructions, illustrations and specifications provided with this power tool. Failure to follow all instructions listed below may result in electric shock, fire and/or serious injury.

## Save all warnings and instructions for future reference.

The term "power tool" in the warnings refers to your mains-operated (corded) power tool or battery-operated (cordless) power tool.

## Cordless Portable Band Saw Safety Warnings

1. **Hold power tool by insulated gripping surfaces, when performing an operation where the cutting accessory may contact hidden wiring.** Cutting accessories contacting a "live" wire may make exposed metal parts of the power tool "live" and could give the operator an electric shock.
2. **Use only blades which are listed in "SPECIFICATIONS".**
3. **Check the blade carefully for cracks or damage before operation. Replace cracked or damaged blade immediately.**
4. **Secure the workpiece firmly. When cutting a bundle of workpieces, be sure that all workpieces are secured together firmly before cutting.**
5. **Cutting workpieces covered with oil can cause the blade to come off unexpectedly. Wipe off all excess oil from workpieces before cutting.**
6. **Never use the cutting oil as a cutting lubricant. Use only Makita cutting wax.**
7. **Hold the tool firmly.**
8. **Keep hands away from rotating parts.**
9. **When cutting metal, be cautious of hot flying chips.**
10. **Do not leave the tool running unattended.**
11. **Do not touch the blade or the workpiece immediately after operation; they may be extremely hot and could burn your skin.**

## Important safety instructions for battery cartridge

1. **Before using battery cartridge, read all instructions and cautionary markings on (1) battery charger, (2) battery, and (3) product using battery.**
2. **Do not disassemble battery cartridge.**
3. **If operating time has become excessively shorter, stop operating immediately. It may result in a risk of overheating, possible burns and even an explosion.**
4. **If electrolyte gets into your eyes, rinse them out with clear water and seek medical attention right away. It may result in loss of your eyesight.**
5. **Do not short the battery cartridge:**
  - (1) **Do not touch the terminals with any conductive material.**
  - (2) **Avoid storing battery cartridge in a container with other metal objects such as nails, coins, etc.**
  - (3) **Do not expose battery cartridge to water or rain.**

**A battery short can cause a large current flow, overheating, possible burns and even a breakdown.**

6. **Do not store the tool and battery cartridge in locations where the temperature may reach or exceed 50 °C (122 °F).**
7. **Do not incinerate the battery cartridge even if it is severely damaged or is completely worn out. The battery cartridge can explode in a fire.**
8. **Be careful not to drop or strike battery.**
9. **Do not use a damaged battery.**
10. **The contained lithium-ion batteries are subject to the Dangerous Goods Legislation requirements.** For commercial transports e.g. by third parties, forwarding agents, special requirement on packaging and labeling must be observed. For preparation of the item being shipped, consulting an expert for hazardous material is required. Please also observe possibly more detailed national regulations. Tape or mask off open contacts and pack up the battery in such a manner that it cannot move around in the packaging.
11. **When disposing the battery cartridge, remove it from the tool and dispose of it in a safe place. Follow your local regulations relating to disposal of battery.**
12. **Use the batteries only with the products specified by Makita.** Installing the batteries to non-compliant products may result in a fire, excessive heat, explosion, or leak of electrolyte.
13. **If the tool is not used for a long period of time, the battery must be removed from the tool.**

## SAVE THESE INSTRUCTIONS.

**⚠ CAUTION:** Only use genuine Makita batteries. Use of non-genuine Makita batteries, or batteries that have been altered, may result in the battery bursting causing fires, personal injury and damage. It will also void the Makita warranty for the Makita tool and charger.

## Tips for maintaining maximum battery life

1. Charge the battery cartridge before completely discharged. Always stop tool operation and charge the battery cartridge when you notice less tool power.
2. Never recharge a fully charged battery cartridge. Overcharging shortens the battery service life.
3. Charge the battery cartridge with room temperature at 10 °C - 40 °C (50 °F - 104 °F). Let a hot battery cartridge cool down before charging it.
4. Charge the battery cartridge if you do not use it for a long period (more than six months).

## FUNCTIONAL DESCRIPTION

**CAUTION:** Always be sure that the tool is switched off and the battery cartridge is removed before adjusting or checking function on the tool.

### Installing or removing battery cartridge

**CAUTION:** Always switch off the tool before installing or removing of the battery cartridge.

**CAUTION:** Hold the tool and the battery cartridge firmly when installing or removing battery cartridge. Failure to hold the tool and the battery cartridge firmly may cause them to slip off your hands and result in damage to the tool and battery cartridge and a personal injury.

► Fig.1: 1. Red indicator 2. Button 3. Battery cartridge

To remove the battery cartridge, slide it from the tool while sliding the button on the front of the cartridge.

To install the battery cartridge, align the tongue on the battery cartridge with the groove in the housing and slip it into place. Insert it all the way until it locks in place with a little click. If you can see the red indicator on the upper side of the button, it is not locked completely.

**CAUTION:** Always install the battery cartridge fully until the red indicator cannot be seen. If not, it may accidentally fall out of the tool, causing injury to you or someone around you.

**CAUTION:** Do not install the battery cartridge forcibly. If the cartridge does not slide in easily, it is not being inserted correctly.

## Indicating the remaining battery capacity

Only for battery cartridges with the indicator

► Fig.2: 1. Indicator lamps 2. Check button

Press the check button on the battery cartridge to indicate the remaining battery capacity. The indicator lamps light up for a few seconds.

Indicator lamps			Remaining capacity
Lighted	Off	Blinking	
■ ■ ■ ■			75% to 100%
■ ■ ■ □			50% to 75%
■ ■ □ □			25% to 50%
■ □ □ □			0% to 25%
▣ □ □ □			Charge the battery.
■ ■ □ □			The battery may have malfunctioned.
□ □ ■ ■			

**NOTE:** Depending on the conditions of use and the ambient temperature, the indication may differ slightly from the actual capacity.

## Indicating the remaining battery capacity

Country specific

► Fig.3: 1. Battery indicator

When you pull the switch trigger, the LED display shows the remaining battery capacity. The remaining battery capacity is shown as the following table.

Battery indicator status			Remaining battery capacity
On	Off	Blinking	
	■ ■ ■	▣	50% to 100%
	■ ■ □	▣	20% to 50%
	■ □ □	▣	0% to 20%
	▣ □ □	▣	Charge the battery

**NOTE:** When the LED display goes off, the tool is turned off to save the battery power. To check the remaining battery capacity, slightly pull the switch trigger.

**NOTE:** The LED display goes off approximately one minute after releasing the switch trigger.

**NOTE:** When the LED display lights up and the tool stops even with a recharged battery cartridge, cool down the tool fully. If the status will not change, stop using and have the tool repaired by a Makita local service center.

## Tool / battery protection system

The tool is equipped with a tool/battery protection system. This system automatically cuts off power to the motor to extend tool and battery life. The tool will automatically stop during operation if the tool or battery is placed under one of the following conditions:

### Overload protection

When the battery is operated in a manner that causes it to draw an abnormally high current, the tool automatically stops without any indication. In this situation, turn the tool off and stop the application that caused the tool to become overloaded. Then turn the tool on to restart.

### Overheat protection

When the tool is overheated, the tool stops automatically and the lamp starts blinking. In this situation, let the tool and battery cool before turning the tool on again.

### Overdischarge protection

When the battery capacity is not enough, the tool stops automatically. In this case, remove the battery from the tool and charge the battery.

## Hook

**CAUTION:** Never hang the tool at high or potentially unstable location.

The hook is convenient for hanging the tool temporarily. To use the hook, simply lift up hook until it snaps into the open position.

When not in use, always lower hook until it snaps into the closed position.

#### Open position

► Fig.4: 1. Hook

#### Closed position

► Fig.5: 1. Hook

## Switch action

**WARNING:** Before installing the battery cartridge into the tool, always check to see that the switch trigger actuates properly and returns to the "OFF" position when released.

**WARNING:** NEVER defeat the lock-off button by taping down or some other means. A switch with a negated lock-off button may result in unintentional operation and serious personal injury.

**WARNING:** NEVER use the tool if it runs when you simply pull the switch trigger without pressing the lock-off button. A switch in need of repair may result in unintentional operation and serious personal injury. Return tool to a Makita service center for proper repairs BEFORE further usage.

To prevent the switch trigger from being accidentally pulled, a lock-off button is provided. To start the tool, depress the lock-off button and pull the switch trigger. Tool speed is increased by increasing pressure on the switch trigger. Release the switch trigger to stop.

► Fig.6: 1. Lock-off button 2. Switch trigger

## Speed adjusting dial

► Fig.7: 1. Speed adjusting dial

The tool speed can be infinitely adjusted between 1.3 m/s and 3.2 m/s by turning the adjusting dial. Higher speed is obtained when the dial is turned in the direction of number 6; lower speed is obtained when it is turned in the direction of number 1.

Select the proper speed for the workpiece to be cut.

**NOTICE:** When changing the speed dial from "6" to "1", turn the dial counterclockwise. Do not turn the dial clockwise forcibly.

**NOTICE:** Plastic materials may melt when cutting at high speeds.

## Lighting up the front lamp

**CAUTION:** Do not look in the light or see the source of light directly.

Pull the switch trigger to light up the lamp. The lamp keeps on lighting while the switch trigger is being pulled. The lamp goes out approximately 10 seconds after releasing the switch trigger.

► Fig.8: 1. Lamp

**NOTE:** Do not apply impact to the lamp, which may cause damage or shorted service time to it.

**NOTE:** Use a dry cloth to wipe the dirt off the lens of the lamp. Be careful not to scratch the lens of lamp, or it may lower the illumination.

**NOTE:** When the tool is overheated, the lamp blinks for one minute, and then goes off. In this case, cool down the tool before operating again.

## ASSEMBLY

**CAUTION:** Always be sure that the tool is switched off and the battery cartridge is removed before carrying out any work on the tool.

## Installing or removing the band saw blade

**CAUTION:** Oil on the band saw blade can cause the blade to slip or come off unexpectedly. Wipe off all excess oil with a cloth before installing the band saw blade.

**CAUTION:** Always wear protective gloves when handling the band saw blade.

**CAUTION:** Use caution when handling the band saw blade to avoid cut by the sharp edge of the blade teeth.

**CAUTION:** Keep your body away from the band saw blade when checking the blade movement.

**CAUTION:** When turning the blade tightening lever clockwise to release the tension on the band saw blade, point the tool downward because the band saw blade may come off unexpectedly.



To install the band saw blade:

1. Turn the blade tightening lever clockwise until it stops to loosen the wheel.  
▶ **Fig.9:** 1. Tighten 2. Loosen 3. Blade tightening lever
2. Open the wheel cover.  
▶ **Fig.10:** 1. Wheel cover 2. Hook

**NOTICE:** When opening the wheel cover, open and release both the hooks simultaneously. Opening only one hook may cause crack on the wheel cover.

3. Match the direction of the arrows on the band saw blade and on the wheels.
4. Insert the non-serrated side of the band saw blade into the upper holder and lower holder. Make sure the band saw blade in both upper and lower holder touches to the bottom bearings.  
▶ **Fig.11:** 1. Lower holder 2. Upper holder 3. Bottom bearing
5. With pressing the middle part of the band saw blade, position the blade around one wheel. Moving the wheel to A side makes it easier to do so.  
▶ **Fig.12:** 1. Wheel 2. Rubber tire
6. Position the band saw blade on the other wheel similarly.
7. Position the edge of the band saw blade on rubber tire.
8. Hold the band saw blade in place and turn the blade tightening lever counterclockwise until it stops. This places proper tension on the band saw blade.
9. Close the wheel cover.

**NOTICE:** Make sure that the band saw blade is correctly positioned around the wheels.

**NOTICE:** Start and stop the tool two or three times to make sure that the band saw blade runs properly on the wheels.

To remove the band saw blade, follow the installation procedure in reverse.

## Adjusting blade track

When the band saw blade tends to slip out from the wheel, adjust the blade track.  
To adjust, insert the hex wrench into the adjustment hole as illustrated and make a quarter turn clockwise. After that, check if the band saw blade does not slip out. If it still slips out, make another quarter turn and check until the band saw blade does not slip out.  
▶ **Fig.13:** 1. Hex wrench 2. Adjustment hole

## Adjusting the stopper plate position

In the ordinary operation, protrude the stopper plate to the A side fully.  
When the stopper plate hits against the obstacles such as a wall or the like at the finishing of a cut, loosen two bolts and slide it to the B side in the figure.  
After sliding the stopper plate, secure it by tightening two bolts firmly.  
▶ **Fig.14:** 1. Stopper plate 2. Bolts 3. Band saw blade

## Installing side grip (handle)

### Optional accessory

Screw the side grip securely into the position of the tool as shown in the figure.

▶ **Fig.15**

## OPERATION

**CAUTION:** Always insert the battery cartridge all the way until it locks in place. If you can see the red indicator on the upper side of the button, it is not locked completely. Insert it fully until the red indicator cannot be seen. If not, it may accidentally fall out of the tool, causing injury to you or someone around you.

**CAUTION:** Always hold the handle. Never hold the tool body or guards. Hands may slip from these locations and contact with the band saw blade. It may result in personal injury.

**CAUTION:** Make sure that the wheel cover is closed securely.

**CAUTION:** Make sure to hold the tool firmly when turning on or off the tool or when cutting. Otherwise the tool may fall and cause personal injury.

**CAUTION:** Always wear gloves to protect your hands from hot flying chips when cutting metal.

**CAUTION:** Keep your body and face away from the band saw blade and flying chips.

For stable cut, always keep at least two teeth in the cut.

▶ **Fig.16**

Apply the band saw blade to the suitable cutting position on the workpiece as illustrated.

▶ **Fig.17**

1. Hold the tool as illustrated.

Before turning on the tool, always make sure that the stopper plate contacts the workpiece and the band saw blade is clear of the workpiece.

▶ **Fig.18**

2. Turn the tool on. Gently lower the blade into the cut. The weight of the tool or slightly pressing the tool will supply adequate pressure for the cutting. Do not force the tool.

▶ **Fig.19**

3. As you reach the end of a cut, release pressure and lift the tool slightly so that the tool will not fall against the workpiece.

**NOTICE:** Applying excessive pressure to the tool or twisting of the band saw blade may cause bevel cutting or damage to the blade.

**NOTICE:** When not using the tool for a long period of time, remove the band saw blade from the tool.

**NOTICE:** If the tool is operated continuously until the battery cartridge has discharged, allow the tool to rest for 15 minutes before proceeding with a fresh battery.

## Cutting lubricant

### Optional accessory

**⚠ CAUTION:** Never use cutting oil or apply excessive amount of wax to the band saw blade. It may cause the blade to slip or come off unexpectedly.

**⚠ CAUTION:** When cutting cast iron, do not use any cutting wax.

When cutting metals, use Makita cutting wax as a cutting lubricant. To apply the cutting wax to the teeth of the band saw blade, remove a cap of the cutting wax, start the tool and cut into the cutting wax as illustrated.

► Fig.20: 1. Cutting wax

## MAINTENANCE

**⚠ CAUTION:** Always be sure that the tool is switched off and the battery cartridge is removed before attempting to perform inspection or maintenance.

**NOTICE:** Never use gasoline, benzine, thinner, alcohol or the like. Discoloration, deformation or cracks may result.

To maintain product SAFETY and RELIABILITY, repairs, any other maintenance or adjustment should be performed by Makita Authorized or Factory Service Centers, always using Makita replacement parts.

## Cleaning

**⚠ CAUTION:** Wax and chips on the rubber tires on the wheel may cause the band saw blade to slip and come off unexpectedly. Use a dry cloth to remove wax and chips from the rubber tires.

After use, remove wax, chips and dust from the tool, rubber tires on the wheel and the band saw blade.

## Replacing rubber tires on the wheels

Replace the rubber tires when the band saw blade slips or does not track properly because of badly worn tires. To replace the rubber tire, ask for the Makita Authorized or Factory Service Centers.

## OPTIONAL ACCESSORIES

**⚠ CAUTION:** These accessories or attachments are recommended for use with your Makita tool specified in this manual. The use of any other accessories or attachments might present a risk of injury to persons. Only use accessory or attachment for its stated purpose.

If you need any assistance for more details regarding these accessories, ask your local Makita Service Center.

- Makita genuine battery and charger
- Band saw blades
- Cutting wax
- Grip 36

**NOTE:** Some items in the list may be included in the tool package as standard accessories. They may differ from country to country.

## SPECIFIKATIONER

<b>Modell:</b>		<b>DPB183</b>
Maximal klippkapacitet	Runt arbetsstycke	66 mm diam.
	Rektangulärt arbetsstycke	66 mm x 66 mm
Bladhastighet		0 - 3,2 m/s (0 - 190 m/min)
Bladstorlek	Längd	835 mm
	Bredd	13 mm
	Tjocklek	0,5 mm
Mått (L x B x H) utan hjulskydd		392 mm x 174 mm x 242 mm
Märkspänning		18 V likström
Nettovikt utan hjulskydd		3,6 - 3,9 kg

- På grund av vårt pågående program för forskning och utveckling kan dessa specifikationer ändras utan föregående meddelande.
- Specifikationer kan variera mellan olika länder.
- Vikten kan variera beroende på tillbehören, inklusive batterikassett. Den lättaste och den tyngsta kombinationen enligt EPTA-procedur 01/2014 visas i tabellen.

### Tillgänglig batterikassett och laddare

Batterikassett	BL1815N / BL1820 / BL1820B / BL1830 / BL1830B / BL1840 / BL1840B / BL1850 / BL1850B / BL1860B
Laddare	DC18RC / DC18RD / DC18RE / DC18SD / DC18SE / DC18SF / DC18SH

- Vissa av batterikassetterna och laddarna på listan ovan kanske inte finns tillgängliga i din region.

**⚠ VARNING: Använd endast batterikassetter och laddare från listan ovan.** Användning av andra batterikassetter och laddare kan orsaka personskada och/eller brand.

### Avsedd användning

Verktyget är avsett för kapning av plast och järnhaltiga material.

### Buller

Den normala bullernivån för A-belastning är bestämd enligt EN60745-2-20:

Ljudtrycksnivå ( $L_{pA}$ ): 80 dB (A)

Måttolerans (K): 3 dB (A)

Bullernivån vid arbete kan överstiga 80 dB (A).

**OBS:** Det deklarerade bullervärdet har uppmätts i enlighet med standardtestmetoden och kan användas för jämförandet av en maskin med en annan.

**OBS:** Det deklarerade bulleremissionsvärdet kan också användas i en preliminär bedömning av exponering för vibration.

**⚠ VARNING: Använd hörselskydd.**

**⚠ VARNING:** Bulleremissionen under faktisk användning av maskinen kan skilja sig från det deklarerade värdet, beroende på hur maskinen används och särskilt vilken typ av arbetsstycke som behandlas.

**⚠ VARNING:** Var noga med att identifiera säkerhetsåtgärder för att skydda användaren, vilka är grundade på en uppskattning av graden av exponering för vibrationer under de faktiska användningsförhållandena, (ta, förutom avtryckartiden, med alla delar av användarcykeln i beräkningen, som till exempel tiden då maskinen är avstängd och när den går på tomgång).

### Vibration

Det totala vibrationsvärdet (treaxlad vektorsumma) bestämt enligt EN60745-2-20:

Arbetsläge: sågning i metall

Vibrationsemission ( $a_{h,M}$ ): 2,5 m/s<sup>2</sup> eller lägre

Måttolerans (K): 1,5 m/s<sup>2</sup>

**OBS:** Det deklarerade totala vibrationsvärdet har uppmätts i enlighet med standardtestmetoden och kan användas för jämförandet av en maskin med en annan.

**OBS:** Det deklarerade totala vibrationsvärdet kan också användas i en preliminär bedömning av exponering för vibration.

**⚠ VARNING:** Vibrationsemissionen under faktisk användning av maskinen kan skilja sig från det deklarerade värdet, beroende på hur maskinen används och särskilt vilken typ av arbetsstycke som behandlas.

**⚠ VARNING:** Var noga med att identifiera säkerhetsåtgärder för att skydda användaren, vilka är grundade på en uppskattning av graden av exponering för vibrationer under de faktiska användningsförhållandena, (ta, förutom avtryckartiden, med alla delar av användarcykeln i beräkningen, som till exempel tiden då maskinen är avstängd och när den går på tomgång).

## EG-försäkran om överensstämmelse

*Gäller endast inom EU*

EG-försäkran om överensstämmelse inkluderas som bilaga A till denna bruksanvisning.

## SÄKERHETSVARNINGAR

### Allmänna säkerhetsvarningar för maskiner

**⚠ VARNING:** Läs alla säkerhetsvarningar, anvisningar, illustrationer och specifikationer som medföljer det här maskinen. Underlåtenhet att följa instruktionerna kan leda till elstötar, brand och/eller allvarliga personskador.

## Spara alla varningar och instruktioner för framtida referens.

Termen "maskin" som anges i varningarna hänvisar till din eldrivna maskin (sladdansluten) eller batteridrivna maskin (sladdlös).

### Säkerhetsvarningar för sladdlös portabel bandsåg

1. Håll verktyget i de isolerade handtagen om det finns risk för att sågverktyget kan komma i kontakt med en dold elkabel. Om skärverktyg kommer i kontakt med en strömförande ledning blir verktygets blottlagda metalldelar strömförande och kan ge användaren en elektrisk stöt.
2. Använd endast blad som anges i "SPECIFIKATIONER".
3. Kontrollera före användning att knivarna inte är spruckna eller skadade. Byt omedelbart ut en skadad eller sprucken kniv.
4. Sätt fast arbetsstycket så att det sitter stadigt. Om flera arbetsstycken ska kapas samtidigt måste de först spännas ihop ordentligt.
5. Om oljiga arbetsstycken kapas kan bladet lossna på ett oväntat sätt. Torka bort all överflödiga olja från arbetsstyckena före kapning.
6. Använd aldrig skärolja som smörjmedel. Använd endast Makitas skärvas.
7. Håll verktyget i ett fast grepp.
8. Håll händerna på behörigt avstånd från roterande delar.

9. Se upp för kringflygande skärspån vid kapning av metall.
10. Lämna inte verktyget obevakat när det är igång.
11. Rör inte vid bladet eller arbetsstycket omedelbart efter avslutat arbete, då de kan vara mycket heta och ge brännskador.

### Viktiga säkerhetsanvisningar för batterikassetten

1. Innan batterikassetten används ska alla instruktioner och varningsmärken på (1) batteriladdaren, (2) batteriet och (3) produkten läsas.
2. Montera inte isär batterikassetten.
3. Om drifttiden blivit avsevärt kortare ska användningen avbrytas omedelbart. Det kan uppstå överhettning, brännskador och t o m en explosion.
4. Om du får elektrolyt i ögonen ska de sköljas med rent vatten och läkare uppsökas omedelbart. Det finns risk för att synen förloras.
5. Kortslut inte batterikassetten.
  - (1) Rör inte vid polerna med något strömförande material.
  - (2) Undvik att förvara batterikassetten tillsammans med andra metallobjekt som t.ex. spikar, mynt o.s.v.
  - (3) Skydda batteriet mot vatten och regn. En batterikortslutning kan orsaka ett stort strömföflöde, överhettning, brand och maskinhaveri.
6. Förvara inte maskinen och batterikassetten på platser där temperaturen kan nå eller överstiga 50 °C.
7. Bränn inte upp batterikassetten även om den är svårt skadad eller helt utslitnen. Batterikassetten kan explodera i öppen eld.
8. Var försiktig så att du inte råkar tappa batteriet och utsätt det inte för stötar.
9. Använd inte ett skadat batteri.
10. De medföljande litiumjonbatterierna är föremål för kraven i gällande lagstiftning för farligt gods. För kommersiella transporter (av t.ex. tredje parter som speditorsfirmor) måste de särskilda transportkrav som anges på emballaget och etiketter iakttagas. För att förbereda den produkt som ska avsändas krävs att du konsulterar en expert på riskmaterial. Var också uppmärksam på att det i ditt land kan finnas ytterligare föreskrifter att följa. Tejpa över eller maskera blottade kontakter och packa batteriet på sådant sätt att det inte kan röra sig fritt i förpackningen.
11. När batterikassetten ska kasseras måste den tas bort från maskinen och kasseras på ett säkert sätt. Följ lokala föreskrifter beträffande avfallshandling av batteriet.
12. Använd endast batterierna med de produkter som specificerats av Makita. Att använda batterierna med ej godkända produkter kan leda till brand, överdriven värme, explosion eller utläckande elektrolyt.
13. Om maskinen inte används under en lång tid måste batteriet tas bort från maskinen.

## SPARA DESSA ANVISNINGAR.

**⚠ FÖRSIKTIGT:** Använda endast äkta Makita-batterier. Användning av oäkta Makita-batterier eller batterier som har manipulerats kan leda till person- och utrustningsskador eller till att batteriet fattar eld. Det upphäver också Makitas garanti för verktyget och laddaren.

## Tips för att uppnå batteriets maximala livslängd

1. Ladda batterikassetten innan den är helt urladdad. Stanna alltid maskinen och ladda batterikassetten när du märker att maskinen blir svagare.
2. Ladda aldrig en fulladdad batterikasset. Överladdning förkortar batteriets livslängd.
3. Ladda batterikassetten vid en rumstemperatur på 10 °C - 40 °C. Låt en varm batterikasset svalna innan den laddas.
4. Ladda batterikassetten om du inte har använt den på länge (mer än sex månader).

## FUNKTIONSBESKRIVNING

**⚠ FÖRSIKTIGT:** Se alltid till att maskinen är avstängd och batterikassetten borttagen innan du justerar maskinen eller kontrollerar dess funktioner.

## Montera eller demontera batterikassetten

**⚠ FÖRSIKTIGT:** Stäng alltid av maskinen innan du monterar eller tar bort batterikassetten.

**⚠ FÖRSIKTIGT:** Håll stadigt i maskinen och batterikassetten när du monterar eller tar bort batterikassetten. I annat fall kan det leda till att de glider ur dina händer och orsakar skada på maskinen och batterikassetten samt personskada.

► Fig.1: 1. Röd indikator 2. Knapp 3. Batterikasset

Ta bort batterikassetten genom att skjuta ner knappen på kassetten framsida samtidigt som du drar ut batterikassetten.

Sätt i batterikassetten genom att rikta in tungan på batterikassetten mot spåret i höljet och skjut den på plats. Tryck in batterikassetten ordentligt tills den låser fast med ett klick. Om du kan se den röda indikatorn på knappens ovansida är den inte låst ordentligt.

**⚠ FÖRSIKTIGT:** Sätt alltid i batterikassetten helt tills den röda indikatorn inte längre syns. I annat fall kan den oväntat falla ur maskinen och skada dig eller någon annan.

**⚠ FÖRSIKTIGT:** Montera inte batterikassetten med våld. Om kassetten inte lätt glider på plats är den felinställt.

## Indikerar kvarvarande batterikapacitet

Endast för batterikassetter med indikator

► Fig.2: 1. Indikatorlampor 2. Kontrollknapp

Tryck på kontrollknappen på batterikassetten för att se kvarvarande batterikapacitet. Indikatorlamporna lyser i ett par sekunder.

Indikatorlampor			Kvarvarande batterikapacitet
Upplyst	Av	Blinkar	
■ ■ ■ ■			75% till 100%
■ ■ ■ □			50% till 75%
■ ■ □ □			25% till 50%
■ □ □ □			0% till 25%
◐ □ □ □			Ladda batteriet.
■ ■ □ □			Batteriet kan ha skadats.
□ □ ■ ■			

**OBS:** Beroende på användningsförhållanden och den omgivande temperaturen kan indikationen skilja sig lätt från den faktiska batterikapaciteten.

## Indikerar kvarvarande batterikapacitet

Landsspecifikt

► Fig.3: 1. Batteriindikator

När avtryckaren aktiveras visar LED-skärmen kvarvarande batterikapacitet. Den kvarvarande batterikapaciteten visas som i nedanstående tabell.

Batteriindikatorstatus			Kvarvarande batterikapacitet
På	Av	Blinkar	
	■ ■ ■ □		50 % till 100 %
	■ ■ □ □		20 % till 50 %
	■ □ □ □		0 % till 20 %
	◐ □ □ □		Ladda batteriet

**OBS:** När LED-skärmen släcks stängs verktyget av för att spara batteriet. Tryck in avtryckaren lätt för att kontrollera kvarvarande batterikapacitet.

**OBS:** LED-skärmen släcks ungefär en minut efter det att avtryckaren har släppts.

**OBS:** Låt verktyget svalna helt om LED-skärmen tänds och verktyget stannar även om batterikassetten är laddad. Sluta att använda verktyget och låt ett lokalt servicecenter för Makita reparera det om statusen förblir oförändrad.

## Skyddssystem för maskinen/batteriet

Verktyget är utrustat med ett skyddssystem för verktyget/batteriet. Detta system bryter automatiskt strömmen till motorn för att förlänga verktygets och batteriets livslängd. Verktyget stoppar automatiskt under användningen om verktyget eller batteriet hamnar i en av följande situationer:

### Överbelastningsskydd

Om batteriet används på ett sätt som gör att det drar onormalt mycket ström kan det stoppas automatiskt utan någon varning. När detta sker stänger du av verktyget och upphör med arbetet som gjorde att verktyget överbelastades. Starta därefter verktyget igen.

### Överhettningsskydd

När verktyget överhettas stoppas det automatiskt och lampan börjar blinka. I sådant fall ska du låta verktyget och batterierna svalna innan du startar verktyget igen.

### Överurladdningsskydd

När batteriets kapacitet är otillräcklig stoppar maskinen automatiskt. I sådant fall ska batteriet tas ur maskinen och laddas.

## Krok

**⚠ FÖRSIKTIGT:** Häng aldrig upp maskinen på hög höjd eller på platser som inte är helt stabila.

Kroken är en praktiskt lösning för att hänga upp verktyget temporärt.

Använd kroken genom att helt enkelt lyfta upp kroken tills den fastnar i öppet läge.

När den inte används ska du alltid sänka ner kroken tills den fastnar i stängt läge.

#### Öppet läge

► Fig.4: 1. Krok

#### Stängt läge

► Fig.5: 1. Krok

## Avtryckarens funktion

**⚠ VARNING:** Innan du sätter i batterikassetten i maskinen ska du kontrollera att avtryckaren fungerar och återgår till läget "OFF" när du släpper den.

**⚠ VARNING:** Sätt ALDRIG säkerhetsknappens funktion ur spel genom att t.ex. tejpa fast den. I annat fall kan följden bli oavsiktlig aktivering och allvarig personskada.

**⚠ VARNING:** Använd ALDRIG verktyget om det startar när du trycker in avtryckaren utan att ha tryckt in säkerhetsknappen. En säkerhetsknapp som behöver repareras kan orsaka oavsiktlig aktivering och allvarig personskada. Returnera verktyget till ett Makita-servicecenter för reparation INNAN du fortsätter att använda det.

En startspärr förhindrar oavsiktlig aktivering av avtryckaren. Starta verktyget genom att först trycka in startspärren och sedan avtryckaren.

Verktygets hastighet ökas genom att avtryckaren trycks in hårdare. Släpp avtryckaren för att stanna.

► Fig.6: 1. Startspärr 2. Avtryckare

## Ratt för hastighetsinställning

► Fig.7: 1. Ratt för hastighetsinställning

Verktygets hastighet kan varieras steglöst mellan 1,3 m/s och 3,2 m/s genom att vrida på justeringsratten. En högre hastighet erhålls när ratten vrids i riktning mot nummer 6; en lägre hastighet erhålls när den vrids i riktning mot nummer 1.

Välj rätt hastighet för det arbetsstycke som ska skäras.

**OBSERVERA:** Vid byte på hastighetsratten från "6" till "1", vrid ratten moturs. Vrid inte ratten medurs med våld.

**OBSERVERA:** Plastmaterial kan smälta vid sågning i höga hastigheter.

## Tända frontlampan

**⚠ FÖRSIKTIGT:** Titta inte in i ljuset eller direkt i ljuskällan.

Tryck på avtryckaren för att tända lampan. Lampan fortsätter att lysa så länge du håller avtryckaren intryckt. Lampan slöcknar ungefär 10 sekunder efter att du har släppt avtryckaren.

► Fig.8: 1. Lampa

**OBS:** Akta lampan för stötar då detta kan skada den eller förkorta dess livslängd.

**OBS:** Använd en torr trasa för att torka bort smuts från lampglaset. Var försiktig så att inte lampglaset repas eftersom ljuset då kan bli svagare.

**OBS:** När verktyget överhettas, blinkar lampan i en minut och slöcknar sedan. I detta fall låter du verktyget svalna innan du använder det igen.

## MONTERING

**⚠ FÖRSIKTIGT:** Se alltid till att maskinen är avstängd och batterikassetten borttagen innan du underhåller maskinen.

### Montering eller demontering av bandsågblad

**⚠ FÖRSIKTIGT:** Olja på bandsågbladet kan göra att det halkar eller lossnar oväntat. Torka bort all överflödigt olja med en trasa innan du sätter fast bandsågbladet.

**⚠ FÖRSIKTIGT:** Använd alltid skyddshandskar när du hanterar bandsågbladet.

**⚠ FÖRSIKTIGT:** Var försiktig när du hanterar bandsågbladet så att du inte skär dig på de vassa tänderna.

**⚠ FÖRSIKTIGT:** Håll kroppen borta från bandsågbladet när du kontrollerar bladets rörelse.

**⚠ FÖRSIKTIGT:** När du lossar spänningen för bandsågbladet genom att vrida spännaren medurs ska verktyget vändas nedåt eftersom bandsågbladet kan lossna oväntat från hjulen.

Montera bandsågblad:

1. Vrid bandspännaren medurs tills den stoppar för att lossa hjulet.

► **Fig.9:** 1. Dra åt 2. Lossa 3. Bandspännare

2. Öppna hjulskyddet.

► **Fig.10:** 1. Hjulskydd 2. Krok

**OBSERVERA:** Öppna och lossa båda krokarna samtidigt när du öppnar hjulskyddet. Om endast en krok öppnas kan sprickor uppstå i hjulskyddet.

3. Passa in det nya bandsågbladet enligt pilarna på hjulen.

4. Sätt in den icke-tandade sidan av bandsågbladet på den övre hållaren och den undre hållaren. Kontrollera att bandsågbladet i både den övre och nedre hållaren vidrör bottenlagren.

► **Fig.11:** 1. Undre hållare 2. Övre hållare  
3. Bottenlager

5. Placera bandsågbladet runt ett hjul medan du trycker på den mittersta delen av bladet. Om du flyttar hjulet mot A-sidan blir det enklare att göra det.

► **Fig.12:** 1. Hjul 2. Gummidäck

6. Placera bandsågbladet på det andra hjulet på liknande sätt.

7. Placera kanten av bandsågbladet på gummidäcket.

8. Håll bandsågbladet på plats och vrid spännaren moturs tills den stoppar. På så sätt spänns bandsågbladet på rätt sätt.

9. Stäng hjulskyddet.

**OBSERVERA:** Kontrollera att bandsågbladet är korrekt placerat runt hjulen.

**OBSERVERA:** Starta och stoppa verktyget två eller tre gånger för att kontrollera att bandsågbladet löper rätt.

Gör på omvänt sätt för att ta bort bandsågbladet.

## Inställning av bladspår

När bandsågbladet verkar vilja glida ut ur hjulet ska du justera bladspåret.

Justera genom att sätta insexnyckeln i justeringshållet enligt bilden och vrida ett kvarts varv medurs. Kontrollera efter det så att bandsågbladet inte halkar ut. Om det fortfarande halkar ut drar du ett kvarts varv till och kontrollerar tills bandsågbladet inte halkar ut.

► **Fig.13:** 1. Insexnyckel 2. Justeringshål

## Justera stopplattans läge

Vid vanlig användning ska stopplattan vara helt utdragen på A-sidan.

Om stopplattan hindrar arbetet, till exempel slår emot en vägg i slutet av sågningen, lossar du de två bultarna och skjuter plattan till B-sidan enligt figuren.

När du har flyttat stopplattan skruvar du fast den igen med de två bultarna.

► **Fig.14:** 1. Stopplatta 2. Bultar 3. Bandsågblad

## Montera sidohandtaget

### Valfria tillbehör

Skruva fast sidohandtaget ordentligt på rätt plats på verktyget enligt figuren.

► **Fig.15**

## ANVÄNDNING

**⚠FÖRSIKTIGT:** Skjut alltid in batterikassetten ordentligt tills den låses på plats. Om du kan se den röda indikatorn på knappens ovansida är den inte låst ordentligt. Skjut in den helt tills den röda indikatorn inte syns längre. I annat fall kan batterikassetten plötsligt lossna från maskinen och skada dig eller någon annan.

**⚠FÖRSIKTIGT:** Håll alltid i handtaget. Håll aldrig i verktygsstommen eller skydden. Händerna kan glida från dessa platser och komma i kontakt med bandsågbladet. Det kan orsaka personskada.

**⚠FÖRSIKTIGT:** Se till att nåtfiltert är säkert stängt.

**⚠FÖRSIKTIGT:** Se till att hålla stadigt i verktyget när du stänger av eller sätter på verktyget eller när du kappar. I annat fall kan verktyget falla och orsaka personskada.

**⚠FÖRSIKTIGT:** Bär alltid handskar för att skydda dina händer från metallspån.

**⚠FÖRSIKTIGT:** Håll kropp och ansikte borta från bandsågbladet och flygande spån.

Se alltid till att ha minst två sägtänder i kapspåret för stabil kapning.

► **Fig.16**

Sätt bandsågbladet i lämplig kapningsposition på arbetsstycket enligt bilden.

► **Fig.17**

1. Håll verktyget enligt illustrationen.

Innan du startar verktyget ska du alltid se till att stopplattan är i kontakt med arbetsstycket och att bandsågbladet inte är i kontakt med arbetsstycket.

► **Fig.18**

2. Starta verktyget och vänta tills bandsågbladet uppnått full hastighet. Sänk bladet försiktigt mot sågspåret. Verktygets egen tyngd, eller ett lätt tryck, är tillräckligt för kapningen. Tryck inte hårt med verktyget.

► **Fig.19**

3. När du kommer till slutet av kapningen lättar du på trycket och lyfter verktyget en aning så att verktyget inte ligger an mot arbetsstycket.

**OBSERVERA:** Om du trycker hårt med verktyget eller böjer bandsågbladet kan du få sneda skår eller skada bladet.

**OBSERVERA:** När verktyget inte ska användas under en längre tid ska bandsågbladet tas ur.

**OBSERVERA:** Om verktyget används löpande tills batterikassetten är tom bör verktyget vila 15 minuter innan du fortsätter arbetet med ett laddat batteri.

## Smörjmedel

### Valfria tillbehör

**⚠ FÖRSIKTIGT:** Använd aldrig skärolja och lägg inte på onödigt mycket vax på bandsågbladet. Det kan medföra att bandet halkar eller lossnar oväntat.

**⚠ FÖRSIKTIGT:** Använd aldrig skärvax vid kapning i gjutjärn.

Använd Makitas skärvax som smörjmedel vid kapning av metall. När du ska lägga på skärvaxet på bandsågbladets sågtänder tar du bort locket på skärvaxet, startar verktyget och sågar i skärvaxet enligt bilden.

► **Fig.20:** 1. Skärvax

## UNDERHÅLL

**⚠ FÖRSIKTIGT:** Se alltid till att maskinen är avstängd och batterikassetten borttagen innan inspektion eller underhåll utförs.

**OBSERVERA:** Använd inte bensin, förtunningsmedel, alkohol eller liknande. Missfärgning, deformation eller sprickor kan uppstå.

För att upprätthålla produktens SÄKERHET och TILLFÖRLITLIGHET bör allt underhålls- och justeringsarbete utföras av ett auktoriserat Makita servicecenter och med reservdelar från Makita.

## Rengöring

**⚠ FÖRSIKTIGT:** Vax eller spån på hjulets gummidäck kan medföra att bandsågbladet halkar eller lossnar. Använd en torr trasa för att torka bort vax och spån från gummidäcken.

Efter användning avlägsnar du vax, spån och damm från verktyget, gummidäcken på hjulet och bandsågbladet.

## Byta gummidäck på hjulen

Sätt tillbaka gummidäcken när bandsågbladet glider eller inte dras runt ordentligt på grund av mycket slitna däck.

Kontakta ett auktoriserat Makita-servicecenter för att byta gummidäcket.

## VALFRIA TILLBEHÖR

**⚠ FÖRSIKTIGT:** Följande tillbehör eller tillsatser rekommenderas för användning med den Makita-maskin som denna bruksanvisning avser. Om andra tillbehör eller tillsatser används kan det uppstå risk för personsador. Använd endast tillbehören eller tillsatserna för de syften de är avsedda för.

Kontakta ditt lokala Makita servicecenter om du behöver ytterligare information om dessa tillbehör.

- Makitas originalbatteri och -laddare
- Bandsågblad
- Skärvax
- Grepp 36

**OBS:** Några av tillbehören i listan kan vara inkluderade i maskinpaketet som standardtillbehör. De kan variera mellan olika länder.



## TEKNISKE DATA

<b>Modell:</b>		<b>DPB183</b>
Maks. skjærekapasitet	Rundt arbeidsstykke	66 mm dia.
	Rektangulært arbeidsstykke	66 mm x 66 mm
Bladhastighet		0 – 3,2 m/s (0 – 190 m/min)
Bladstørrelse	Lengde	835 mm
	Bredde	13 mm
	Tykkelse	0,5 mm
Mål (L x B x H) uten skivedekselet		392 mm x 174 mm x 242 mm
Nominell spenning		DC 18 V
Nettovekt uten skivedeksel		3,6 - 3,9 kg

- På grunn av vårt kontinuerlige forsknings- og utviklingsprogram kan spesifikasjonene som oppgis i dette dokumentet endres uten varsel.
- Spesifikasjonene kan variere fra land til land.
- Vekten kan variere avhengig av tilbehøret/tilbehørene, inkludert batteriet. Den letteste og tyngste kombinasjonen, i henhold til EPTA-prosedyre 01/2014, vises i tabellen.

### Passende batteri og lader

Batteriinnsett	BL1815N / BL1820 / BL1820B / BL1830 / BL1830B / BL1840 / BL1840B / BL1850 / BL1850B / BL1860B
Lader	DC18RC / DC18RD / DC18RE / DC18SD / DC18SE / DC18SF / DC18SH

- Noen av batteriene og laderne som er opplistet ovenfor er kanskje ikke tilgjengelige, avhengig av hvor du bor.

**⚠ ADVARSEL:** Bruk kun de batteriene og laderne som er opplistet ovenfor. Bruk av andre batterier og ladere kan føre til personskader og/eller brann.

### Riktig bruk

Denne maskinen er laget for å skjære i plast og jernholdige materialer.

### Støy

Typisk A-vektet lydtryknivå er bestemt i henhold til EN60745-2-20:

Lydtryknivå ( $L_{pA}$ ): 80 dB (A)

Usikkerhet (K): 3 dB (A)

Støynivået under arbeid kan overskride 80 dB (A).

**MERK:** Den/de oppgitte verdien(e) for genererte vibrasjoner har blitt målt i henhold til standard testmetoder, og kan bli brukt til å sammenligne ett verktøy med et annet.

**MERK:** Den/de angitte verdien(e) for de genererte vibrasjonene kan også brukes til en foreløpig vurdering av eksponeringen.

**⚠ ADVARSEL:** Bruk hørselsvern.

**⚠ ADVARSEL:** De genererte vibrasjonene ved faktisk bruk av elektroverktøyet kan avvike fra den/de angitte vibrasjonsverdien(e), avhengig av hvordan verktøyet brukes.

**⚠ ADVARSEL:** Sørg for å identifisere vernetiltak for å beskytte operatøren, som er basert på et estimat av eksponeringen under de faktiske bruksforholdene (idet det tas hensyn til alle deler av driftssyklusen, dvs. hvor lenge verktøyet er slått av, hvor lenge det går på tomgang og hvor lenge startbryteren faktisk holdes trykket).

### Vibrasjoner

Den totale vibrasjonsverdien (triaksial vektorsum) bestemt i henhold EN60745-2-20:

Arbeidsmodus: kutte metal

Genererte vibrasjoner ( $a_{h,M}$ ): 2,5 m/s<sup>2</sup> eller mindre

Usikkerhet (K): 1,5 m/s<sup>2</sup>

**MERK:** Den/de oppgitte verdien(e) for totalt genererte vibrasjoner har blitt målt i henhold til standard testmetoder, og kan bli brukt til å sammenligne ett verktøy med et annet.

**MERK:** Den/de angitte verdien(e) for totalt genererte vibrasjoner kan også brukes til en foreløpig vurdering av eksponeringen.

**⚠ ADVARSEL:** De genererte vibrasjonene ved faktisk bruk av elektroverktøyet kan avvike fra den/de angitte vibrasjonsverdien(e), avhengig av hvordan verktøyet brukes og spesielt i forhold til arbeidsstykket som blir behandlet.

**⚠ ADVARSEL:** Sørg for å identifisere vernetiltak for å beskytte operatøren, som er basert på et estimat av eksponeringen under de faktiske bruksforholdene (idet det tas hensyn til alle deler av driftssyklusen, dvs. hvor lenge verktøyet er slått av, hvor lenge det går på tomgang og hvor lenge startbryteren faktisk holdes trykket).

## EFs samsvarserklæring

*Gjelder kun for land i Europa*

EFs samsvarserklæring er lagt til som vedlegg A i denne bruksanvisningen.

## SIKKERHETSADVARSEL

### Generelle advarsler angående sikkerhet for elektroverktøy

**⚠ ADVARSEL:** Les alle sikkerhetsadvarsler, instruksjoner, illustrasjoner og spesifikasjoner som følger med dette elektroverktøyet. Hvis ikke alle instruksjonene nedenfor følges, kan det forekomme elektrisk støt, brann og/eller alvorlig skade.

## Oppbevar alle advarsler og instruksjoner for senere bruk.

Uttrykket «elektrisk verktøy» i advarslene refererer både til elektriske verktøy (med ledning) tilkoblet strømmettet, og batteridrevne verktøy (uten ledning).

### Sikkerhetsadvarsler for batteridrevet bærbar båndsag

1. Hold elektroverktøyet i de isolerte gripeflatene når kutteutstyret kan komme i kontakt med skjulte ledninger under arbeidet. Skjæreverktøyer som berører en strømførende ledning, kan gjøre at metalldelene på verktøyet blir strømførende og gi brukeren elektrisk støt.
2. **Bruk av blad som er oppført i "SPESIFIKASJONER".**
3. **Før du begynner å bruke verktøyet, må du kontrollere nøye at bladet ikke har sprekker eller andre skader. Bytt ut sprukne eller skadde blader øyeblikkelig.**
4. **Fest arbeidsstykket godt.** Når du skal kutte flere arbeidsstykker som er buntet sammen, må du forvise deg om at alle arbeidsstykkene sitter godt før du kutter dem.
5. Hvis du skal kutte arbeidsstykker som er dekket av olje, kan bladet plutselig hoppe av. Tørk av all over-skytende olje fra arbeidsstykkene før du kutter dem.
6. Sagolje må aldri brukes som skjæremiddel. Bruk kun skjærevoks fra Makita.
7. Hold godt tak i verktøyet.
8. Hold hendene unna roterende deler.

9. Når du kutter metall, må du være oppmerksom på faren for varmt, flygende metallspån.
10. Ikke gå fra maskinen mens den er i gang.
11. Ikke ta i bladet eller arbeidsstykket rett etter saging. De vil være ekstremt varme, og du kan brenne deg.

### Viktige sikkerhetsanvisninger for batteriinnsetts

1. Før du begynner å bruke batteriet, må du lese alle anvisninger og forsiktighetsregler på (1) batteriladeren, (2) batteriet og (3) det produktet batteriet skal brukes i.
2. Ikke ta fra hverandre batteriet.
3. Hvis driftstiden er blitt vesentlig kortere, må du omgående slutte å bruke maskinen. Hvis ikke kan resultatet bli overoppheting, mulige forbrenninger eller til og med en eksplosjon.
4. Hvis du får elektrolytt i øynene, må du skylle dem med store mengder rennende vann og oppsøke lege med én gang. Denne typen uhell kan føre til varig blindhet.
5. Ikke kortslett batteriet:
  - (1) De kan være ekstremt varme og du kan brenne deg.
  - (2) Ikke lagre batteriet i samme beholder som andre metallgjenstander, som for eksempel spiker, mynter osv.
  - (3) Ikke la batteriet komme i kontakt med vann eller regn.

En kortslutning av batteriet kan føre til et kraftig strømstøt, overoppheting, mulige forbrenninger og til og med til at batteriet går i stykker.

6. Ikke lagre maskinen og batteriet på steder hvor temperaturen kan komme opp i eller overskride 50 °C.
7. Ikke sett fyr på batteriet, ikke engang om det er sterkt skadet eller helt utslitt. Batteriet kan eksplodere hvis det begynner å brenne.
8. Vær forsiktig så du ikke mister batteriet eller utsetter det for slag.
9. Ikke bruk batterier som er skadet.
10. Lithium-ion-batteriene som medfølger er gjenstand for krav om spesialavfall. For kommersiell transport, f.eks av tredjeparter eller speditører, må spesielle krav om pakking og merking følges. For varen blir sendt, må du forhøre deg med en ekspert på farlig materiale. Ta også hensyn til muligheten for mer detaljerte nasjonale bestemmelser. Bruk teip eller maskeringsteip for å skjule åpne kontakter og pakk inn batteriet på en slik måte at den ikke kan bevege seg rundt i emballasjen.
11. Når du kasserer batteriinnsettsen, må du ta den ut av verktøyet og avhende den på et sikkert sted. Følg lokale bestemmelser for avhengig av batterier.
12. Bruk batteriene kun med produkter spesifisert av Makita. Montere batteriene i produkter som ikke er konforme kan føre til brann, overoppheting eller elektrolyttlekkasje.
13. Hvis verktøyet ikke skal brukes over en lengre periode, må batteriet tas ut av verktøyet.

## TA VARE PÅ DISSE INSTRUKSENE.

**⚠FORSIKTIG:** Bruk kun originale Makita-batterier. Bruk av batterier som har endret seg, eller som ikke er originale Makita-batterier, kan føre til at batteriet sprekker og forårsaker brann, personskader og andre skader. Det vil også ugyldiggjøre garantien for Makita-verktøyet og -laderen.

## Tips for å opprettholde maksimal batterilevetid

1. Lad batteriinnsetsen før den er helt utladet. Stopp alltid driften av verktøyet og lad batteriinnsetsen når du merker at effekten reduseres.
2. Lad aldri en batteriinnsets som er fulladet. Overopplading forkorter batteriets levetid.
3. Lad batteriet i romtemperatur ved 10 °C - 40 °C. Et varmt batteri må kjøles ned før lading.
4. Lad batteriet hvis det ikke har vært brukt på en lang stund (over seks måneder).

## FUNKSJONS BESKRIVELSE

**⚠FORSIKTIG:** Forviss deg alltid om at maskinen er slått av og batteriet tatt ut før du justerer maskinen eller kontrollerer dens mekaniske funksjoner.

### Sette inn eller ta ut batteri

**⚠FORSIKTIG:** Slå alltid av verktøyet før du setter inn eller fjerner batteriet.

**⚠FORSIKTIG:** Hold verktøyet og batteripatronen i et fast grep når du monterer eller fjerner batteripatronen. Hvis du ikke holder verktøyet og batteripatronen godt fast, kan du miste grepet, og dette kan føre til skader på verktøyet og batteripatronen samt personskader.

► Fig.1: 1. Rød indikator 2. Knapp 3. Batteriinnsets

For å ta ut batteriet må du skyve på knappen foran på batteriet og trekke det ut.

Når du skal sette inn batteriet, må du plassere tungen på batteriet på linje med sporet i huset og skyve batteriet på plass. Skyv det helt inn til det går i inngrep med et lite klikk. Hvis du kan se den røde anviseren på oversiden av knappen, er det ikke fullstendig låst.

**⚠FORSIKTIG:** Batteriet må alltid settes helt inn, så langt at den røde anviseren ikke lenger er synlig. Hvis dette ikke gjøres, kan batteriet komme til å falle ut av maskinen og skade deg eller andre som oppholder seg i nærheten.

**⚠FORSIKTIG:** Ikke bruk makt når du setter i batteriet. Hvis batteriet ikke glir lett inn, er det fordi det ikke settes inn på riktig måte.

## Indikere gjenværende batterikapasitet

**Kun for batterier med indikatoren**

► Fig.2: 1. Indikatorlamper 2. Kontrollknapp

Trykk på sjekk-knappen på batteriet for vise gjenværende batterikapasitet. Indikatorlampene lyser i et par sekunder.

Indikatorlamper			Gjenværende batterinivå
Tent	Av	Blinker	
■ ■ ■ ■	□ □ □ □	□ □ □ □	75 % til 100 %
■ ■ ■ □	□ □ □ □	□ □ □ □	50 % til 75 %
■ ■ □ □	□ □ □ □	□ □ □ □	25 % til 50 %
■ □ □ □	□ □ □ □	□ □ □ □	0 % til 25 %
■ □ □ □	□ □ □ □	□ □ □ □	Lad batteriet.
■ ■ □ □	□ □ □ □	□ □ □ □	Batteriet kan ha en feil.

**MERK:** Det angitte nivået kan avvike noe fra den faktiske kapasiteten alt etter bruksforholdene og den omgivende temperaturen.

## Indikere gjenværende batterikapasitet

**Landsspesifikk**

► Fig.3: 1. Batteriindikator

Når du trykker inn startbryteren, viser LED-skjermen gjenværende batterikapasitet. Gjenværende batterikapasitet vises i form av tabellen nedenfor.

Batteriindikatorstatus			Gjenværende batterikapasitet
På	Av	Blinker	
■ ■ ■ ■	□ □ □ □	□ □ □ □	50 % til 100 %
■ ■ □ □	□ □ □ □	□ □ □ □	20 % til 50 %
■ □ □ □	□ □ □ □	□ □ □ □	0 % til 20 %
■ □ □ □	□ □ □ □	□ □ □ □	Lad batteriet

**MERK:** Når LED-displayet slukkes, slås verktøyet av for å spare batteristrom. Dra forsiktig i startbryteren for å kontrollere gjenværende batterikapasitet.

**MERK:** LED-displayet slukkes ca. ett minutt etter at startbryteren er sluppet.

**MERK:** Hvis LED-skjermen begynner å lyse og verktøyet stanser, selv om batteriet er fulladet, må du avkjøle verktøyet helt. Hvis statusen ikke endres, må du slutte å bruke verktøyet og få det reparert av et lokalt Makita-servicesenter.

## Batterivernsystem for verktøy/batteri

Verktøyet er utstyrt med et batterivernsystem for verktøy/batteri. Dette systemet kutter automatisk strømmen til motoren for å forlenge verktøyets og batteriets levetid. Verktøyet stopper automatisk under drift hvis verktøyet eller batteriet utsettes for en av følgende tilstander:

### Overlastsikring

Når batteriet brukes på en måte som gjør at det bruker unormalt mye strøm, vil verktøyet stoppe, helt automatisk og uten forvarsel. I dette tilfellet må du slå av verktøyet og avslutte bruken som forårsaket at verktøyet ble overbelastet. Slå deretter verktøyet på for å starte det igjen.

### Overopphetingsvern

Når verktøyet er overopphetet, stanser det automatisk, og lampen begynner å blinke. I denne situasjonen lar du verktøyet og batteriet avkjøles før du starter verktøyet på nytt.

### Overutladningsvern

Når det blir batterikapasiteten er utilstrekkelig, stopper verktøyet automatisk. I så fall fjerner du batteriet fra verktøyet og lader det.

## Krok

**⚠️ FORSIKTIG:** Maskinen må aldri henges på et høyt eller potensielt ustabilt sted.

Kroken er egnet for å henge verktøyet opp midlertidig. Kroken brukes ved at du løfter opp kroken til den klikker på plass i åpen posisjon.

Når den ikke er i bruk, skal kroken alltid senkes til den klikker på plass i lukket posisjon.

#### Åpen posisjon

► Fig.4: 1. Krok

#### Lukket posisjon

► Fig.5: 1. Krok

## Bryterfunksjon

**⚠️ ADVARSEL:** Før du setter batteriet inn i maskinen, må du alltid kontrollere at startbryteren aktiverer maskinen på riktig måte og går tilbake til «AV»-stilling når den slippes.

**⚠️ ADVARSEL:** ALDRI sett avsperringsknappen ute av funksjon ved å for eksempel teipe over den. En defekt avsperringsknapp kan føre til at maskinen aktiveres utilsikket og alvorlige personskader kan oppstå.

**⚠️ ADVARSEL:** Maskinen må ALDRI brukes hvis den begynner å gå bare du trykker på startbryteren, uten at du må trykke på avsperringsknappen også. En skadet/ defekt bryter kan føre til at maskinen aktiveres utilsikket og alvorlige personskader kan oppstå. Returner maskinen til et Makita-servicesenter for å få den reparert FØR videre bruk.

For å unngå at noen drar i startbryteren ved en feiltakelse er verktøyet utstyrt med en AV-sperreknapp. Trykk på AV-sperreknappen og startbryteren for å starte verktøyet. Når du trykker hardere på startbryteren, økes hastigheten på verktøyet. Slipp startbryteren for å stanse verktøyet.

► Fig.6: 1. AV-sperreknapp 2. Startbryter

## Hastighetsinnstillingshjul

► Fig.7: 1. Hastighetsinnstillingshjul

Verktøyets hastighet kan justeres i det uendelige mellom 1,3 m/s og 3,2 m/s med innstillingshjulet. Hastigheten øker når innstillingshjulet dreies i retning av nummer 6, og synker når hjulet dreies i retning av nummer 1. Velg riktig hastighet for arbeidsstykket som skal sages.

**OBS:** Når du skal bevege hastighetshjulet fra "6" til "4", dreier du hjulet mot klokken. Ikke bruk makt for å dreie hjulet med klokken.

**OBS:** Plastmaterialer kan smelte ved saging i høye hastigheter.

## Tenne frontlampen

**⚠️ FORSIKTIG:** Ikke se inn i lyset eller se direkte på lyskilden.

Trykk inn startbryteren for å tenne lampen. Lampen fortsetter å lyse så lenge startbryteren holdes inne. Lampen slukkes omtrent 10 sekunder etter at startbryteren er sluppet.

► Fig.8: 1. Lampe

**MERK:** Ikke utsett lampen for støt, da dette kan skade den eller redusere levetiden.

**MERK:** Bruk en tørr klut til å tørke støv osv. av lampelinsen. Vær forsiktig så det ikke blir riper i lampelinsen, da dette kan redusere lysstyrken.

**MERK:** Når verktøyet er overopphetet, blinker lampen i ett minutt før den slås av. Hvis dette skjer, må du la verktøyet kjøle seg ned før du bruker det igjen.

## MONTERING

**⚠️ FORSIKTIG:** Forviss deg alltid om at maskinen er slått av og batteriet tatt ut før du utfører noe arbeid på maskinen.

## Montere eller ta av båndsgabladet

**⚠️ FORSIKTIG:** Olje på båndsgabladet kan gjøre at det til glipper eller plutselig løsner. Tørk av all overflødig olje med en klut før du monterer båndsgabladet.

**⚠️ FORSIKTIG:** Alltid bruk vernehansker når båndsgbladene håndteres.

**⚠️ FORSIKTIG:** Vær forsiktig når du håndterer båndsgabladet, slik at du unngår å skjære deg på den skarpe eggen til sagtennene.

**⚠️ FORSIKTIG:** Hold kroppen unna fra selve båndsgabladet når du kontrollerer bladets bevegelser.

**⚠️ FORSIKTIG:** Hvis bladstrammerenheten dreies med klokken for å reduseres strammingen på båndsgabladet, må verktøyet vendes nedover fordi bladet plutselig kan løsne.

## Montering av bånd-sagbladet:

1. Drei håndtaket for stramming av bladet med klokken helt til den stopper, hvis du ønsker å løse skiven.  
► **Fig.9:** 1. Stramme 2. Løse 3. Spak for stramming av bladet
2. Åpne skivedekselet.  
► **Fig.10:** 1. Skivedeksel 2. Krok

**OBS:** Når du åpner skivedekslet, trykker du ned og løser ut begge krokene samtidig. Hvis du bare åpner én krok, kan det forårsake riper på skivedekslet.

3. Se til at retningen av pilene på bånd-sagbladet og på skivene stemmer overens.
4. Sett inn den siden av bånd-sagbladet uten sagtenner i den øvre og nedre holderen. Sørg for at bånd-sagbladet i både øvre og nedre holder berører bunnlagrene.  
► **Fig.11:** 1. Nedre holder 2. Øvre holder 3. Bunnlagre
5. Mens du trykker ned den midtre delen av bånd-sagbladet, plasserer du bladet rundt en skive. Dette gjøres enklere ved å flytte skiven til side A.  
► **Fig.12:** 1. Skive 2. Gummidekk
6. Plasser bånd-sagbladet på den andre skiven samtidig.
7. Plasser kanten på bånd-sagbladet på gummidekket.
8. Hold bånd-sagbladet på plass og drei håndtaket for bladstramming mot klokken, helt til den stopper. Dette gir riktig stramming av bånd-sagbladet.
9. Lukk skivedekselet.

**OBS:** Kontroller at bånd-sagbladet er riktig posisjonert rundt skivene.

**OBS:** Start og stopp verktøyet to eller tre ganger for å forvise deg om at bånd-sagbladet går seg riktig på skivene.

Ta av bånd-sagbladet ved å følge fremgangsmåten for påsetting i motsatt rekkefølge.

## Justere bladsporet

Når bånd-sagbladet har en tendens til å gli ut fra skiven må bladsporet justeres.

For å justere, sett inn sekskantnøkkelen i justeringshullet som vist i illustrasjonen og drei en kvart omdreining med klokken. Etter dette må det kontrolleres at bånd-sagbladet ikke glir ut.

Hvis det fremdeles glir ut, drei en kvart omgang til og kontroller til at bånd-sagbladet ikke glir ut.

► **Fig.13:** 1. Sekskantnøkkel 2. Justeringshull

## Justere posisjonen til stopperplaten

Under vanlig bruk skal stopperplaten stå så langt som mulig mot A-siden.

Når stopperplaten treffer en hindring, som f.eks. en vegg eller liknende ved slutten av et snitt, må du løse de to boltene og skyve stopperplaten mot B-siden i figuren.

Etter at stopperplaten er skjøvet til ønsket posisjon, må den sikres godt med de to boltene.

► **Fig.14:** 1. Stopperplate 2. Bolt 3. Bånd-sagblad

## Montere støtthåndtak (hjelpetakt)

### Valgfritt tilbehør

Skru støtthåndtaket godt fast på verktøyet i stillingen som er vist i figuren.

► **Fig.15**

## BRUK

**⚠FORSIKTIG:** Batteriet må alltid settes helt inn, til det låses på plass. Hvis du kan se den røde anviseren på oversiden av knappen, er det ikke fullstendig låst. Sett batteriet helt inn, så langt at den røde anviseren ikke lenger er synlig. Hvis dette ikke gjøres, kan batteriet falle ut av maskinen og skade deg eller andre som oppholder seg i nærheten.

**⚠FORSIKTIG:** Hold alltid tak i håndtaket. Hold aldri i verktøykroppen eller -førerne. Hendene kan gli fra disse stedene og komme i kontakt med bånd-sagbladet. Det kan føre til personskaade.

**⚠FORSIKTIG:** Kontroller at skivedekselet sitter som det skal.

**⚠FORSIKTIG:** Hold maskinen i godt grep når du slår den på eller av, eller når du skjærer. Ellers kan maskinen falle ned på gulvet og forårsake personskaader.

**⚠FORSIKTIG:** Bruk alltid hansker for å beskytte hendene dine mot varmt spon når du sager i metall.

**⚠FORSIKTIG:** Hold kroppen og ansiktet unna bånd-sagbladet og spon som blir slyngt ut.

For et stabilt snitt bør du alltid beholde minst to tenner i snittet.

► **Fig.16**

Sett bånd-sagbladet i egnet sageposisjon på arbeidsstykket som illustrert.

► **Fig.17**

1. Hold verktøyet som illustrert.

Før du slår på verktøyet, må du alltid kontrollere at stopperplaten er i kontakt med arbeidsstykket og at bånd-sagbladet ikke er i kontakt med arbeidsstykket.

► **Fig.18**

2. Slå på verktøyet og vent til bånd-sagbladet oppnår full hastighet. Senk bladet forsiktig ned i snittet. Vekten av maskinen eller et lett press mot maskinen vil gi nok trykk til å utføre snittet. Ikke bruk makt.

► **Fig.19**

3. Når du kommer til enden av snittet, må du lette trykket og heve verktøyet litt så ikke verktøyet faller ned på arbeidsstykket.

**OBS:** Hvis du bruker for stor kraft på verktøyet eller vrir bånd-sagbladet, kan snittet bli skjevt eller skade bladet.

**OBS:** Hvis du ikke har tenkt å bruke verktøyet over en lengre periode, må du ta av bånd-sagbladet.

**OBS:** Hvis verktøyet brukes kontinuerlig inntil batteriet er utladet, må du la verktøyet hvile i 15 minutter før du fortsetter med et nytt batteri.

## Skjæremiddel

### Valgfritt tilbehør

**⚠FORSIKTIG:** Bruk aldri sagolje, eller bruk overdrevent store mengder sagvoks på båndsgabladet. Dette kan få bladet til å glipe eller løsne uten forvarsel.

**⚠FORSIKTIG:** Når du kutter støpejern, må du ikke bruke skjærevoks.

Når du kutter metall, må du bruke skjærevoks fra Makita som skjæremiddel. Når du skal påføre skjærevoksen på tennene av båndsgabladet, må du ta av lokket på skjærevoksen. Start deretter verktøyet og sag i skjærevoksen, som vist på figuren.

► **Fig.20:** 1. Skjærevoks

## VEDLIKEHOLD

**⚠FORSIKTIG:** Forviss deg alltid om at maskinen er slått av og batteriet tatt ut før du foretar inspeksjon eller vedlikehold.

**OBS:** Aldri bruk gasolin, bensin, tynner alkohol eller lignende. Det kan føre til misfarging, deformering eller sprekkdannelse.

For å opprettholde produktets SIKKERHET og PÅLITELIGHET, må reparasjoner, vedlikehold og justeringer utføres av autoriserte Makita servicesentre eller fabrikk-servicesentre, og det må alltid brukes reservedeler fra Makita.

### Rengjøring

**⚠FORSIKTIG:** Voks og spon på gummidekkene kan få båndsgabladet til å glipe og løsne uten forvarsel. Bruk en tørr klut til å fjerne voks og spon fra gummidekkene.

Etter bruk må du fjerne voks, spon og støv fra verktøyet, gummidekkene på skiven og båndsgabladet.

### Utskiftning av gummidekk på skivene

Skift gummidekkene når båndsgabladet glir eller ikke fungerer optimalt, på grunn av utslitte dekk.

Ta kontakt med et autorisert Makita eller fabrikkens service senter.

## VALGFRITT TILBEHØR

**⚠FORSIKTIG:** Det anbefales at du bruker dette tilbehøret eller verktøyet sammen med den Makita-maskinen som er spesifisert i denne håndboken. Bruk av annet tilbehør eller verktøy kan forårsake personskader. Tilbehør og verktøy må kun brukes til det formålet det er beregnet på.

Ta kontakt med ditt lokale Makita-servicesenter hvis du trenger mer informasjon om dette tilbehøret.

- Makita originalbatteri og lader
- Båndsgablader
- Skjærevoks
- Håndtak 36

**MERK:** Enkelte elementer i listen kan være inkludert som standardtilbehør i verktøypakken. Elementene kan variere fra land til land.

## TEKNISET TIEDOT

Malli:		DPB183
Suurin leikkauskapasiteetti	Pyöreä työkappale	66 mm:n halkaisija
	Suorakulmainen työkappale	66 mm x 66 mm
Terän nopeus		0–3,2 m/s (0–190 m/min)
Terän koko	Pituus	835 mm
	Leveys	13 mm
	Paksuus	0,5 mm
Mitat (P x L x K) ilman teräpyöräsuojusta		392 mm x 174 mm x 242 mm
Nimellisjännite		DC 18 V
Nettopaino ilman teräteräpyöräsuojusta		3,6–3,9 kg

- Jatkuvasta tutkimus- ja kehitystyöstämme johtuen esitetyt tekniset tiedot saattavat muuttua ilman erillistä ilmoitusta.
- Tekniset tiedot voivat vaihdella maittain.
- Paino voi olla erilainen lisävarusteista sekä akusta johtuen. EPTA-menetellytavan 01/2014 mukaisesti, taulukossa on kuvattu kevyin ja painavin laiteyhdistelmä.

### Käytettävä akkupaketti ja laturi

Akkupaketti	BL1815N / BL1820 / BL1820B / BL1830 / BL1830B / BL1840 / BL1840B / BL1850 / BL1850B / BL1860B
Laturi	DC18RC / DC18RD / DC18RE / DC18SD / DC18SE / DC18SF / DC18SH

- Tiettyjä yläpuolella kuvattuja akkuja ja latureita ei ehkä ole saatavana asuinalueestasi johtuen.

**VAROITUS:** Käytä vain edellä eriteltyjä akkupaketteja ja latureita. Muiden akkupakettien ja laturien käyttäminen voi aiheuttaa loukkaantumisen ja/tai tulipalon.

### Käyttötarkoitus

Työkalu on tarkoitettu muovin ja metallien leikkaukseen.

### Melutaso

Tyypillinen A-painotettu melutaso määrittyy standardin EN60745-2-20 mukaan:

Äänenpainetaso ( $L_{pA}$ ): 80 dB (A)  
Virhemarginaali (K): 3 dB (A)

Työskentelyn aikana melutaso voi ylittää 80 dB (A).

**HUOMAA:** Ilmoitetut melutasoarvot on mitattu standarditestausten mukaisesti ja niiden avulla voidaan vertailla työkaluja keskenään.

**HUOMAA:** Ilmoitettuja melutasoarvoja voidaan käyttää myös altistumisen alustavaan arviointiin.

**VAROITUS:** Käytä kuulosuojaimia.

**VAROITUS:** Sähkötyökalun käytön aikana mitattu melutasoarvo voi poiketa ilmoitetuista arvoista laitteen käyttötavan ja erityisesti käsiteltävän työkappaleen mukaan.

**VAROITUS:** Selvitä käyttäjän suojaamiseksi tarvittavat varoimet todellisissa käyttöolosuhteissa tapahtuvan arvioidun altistumisen mukaisesti (ottaen huomioon käyttäjän kokonaisuudessaan, myös jaksot, joiden aikana laite on sammutettuna tai käy tyhjäkäynnillä).

### Tärinä

Kokonaistärinä (kolmen akselin vektorien summa) määrittyy standardin EN60745-2-20 mukaan:

Työtila: metallin leikkaaminen  
Tärinäpäästö ( $a_{h,M}$ ): 2,5 m/s<sup>2</sup> tai alhaisempi  
Virhemarginaali (K): 1,5 m/s<sup>2</sup>

**HUOMAA:** Ilmoitetut kokonaistärinäarvot on mitattu standarditestausten mukaisesti ja niiden avulla voidaan vertailla työkaluja keskenään.

**HUOMAA:** Ilmoitettuja kokonaistärinäarvoja voidaan käyttää myös altistumisen alustavaan arviointiin.

**VAROITUS:** Sähkötyökalun käytön aikana mitattu todellinen tärinäpäästöarvo voi poiketa ilmoitetuista arvoista laitteen käyttötavan ja erityisesti käsiteltävän työkappaleen mukaan.

**VAROITUS:** Selvitä käyttäjän suojaamiseksi tarvittavat varoimet todellisissa käyttöolosuhteissa tapahtuvan arvioidun altistumisen mukaisesti (ottaen huomioon käyttäjän kokonaisuudessaan, myös jaksot, joiden aikana laite on sammutettuna tai käy tyhjäkäynnillä).

## EY-vaatimusten mukaisuusvakuutus

### Koskee vain Euroopan maita

EY-vaatimusten mukaisuusvakuutus on liitetty tähän käyttöoppaaseen.

## TURVAVAROITUKSET

### Sähkötyökalujen käyttöä koskevat yleiset varoitukset

**VAROITUS:** Tutustu kaikkiin tämän sähkötyökalun mukana toimitettuihin varoituksiin, ohjeisiin, kuviin ja teknisiin tietoihin. Seuraavassa lueteltujen ohjeiden noudattamatta jättäminen saattaa johtaa sähköiskuun, tulipaloon tai vakavaan vammautumiseen.

### Säilytä varoitukset ja ohjeet tulevaa käyttöä varten.

Varoituksissa käytettävällä termillä "sähkötyökalu" tarkoitetaan joko verkkovirtaa käyttävää (johdollista) työkalua tai akkukäyttöistä (johdotonta) työkalua.

### Akkukäyttöisen vannehan turvallisuusohjeet

1. **Kun suoritat toimenpidettä, jossa leikkuuväline voi joutua kosketukseen piilossa olevien johtojen kanssa, pidä sähkötyökalusta kiinni sen eristettyjen otepintojen kohdalta.** Jos leikkuuväline joutuu kosketukseen jännitteellisen johdon kanssa, jännite voi siirtyä sähkötyökalun sähköä johtaviin metalliosiin ja aiheuttaa käyttäjälle sähköiskun.
2. **Käytä vain kohdassa "TEKNISET TIEDOT" mainittuja teriä.**
3. **Tarkista, ettei terässä ole halkeamia tai muita vikoja, ennen kuin aloitat työskentelyn.** Vaihda haljennut tai vahingoittunut terä välittömästi.
4. **Kiinnitä työkalu tukevasti.** Jos leikkaat useasta kappaleesta koostuvaa nippua, varmista ennen leikkauksen aloittamista, että kaikki kappaleet on kiinnitetty toisiinsa pitävästi.
5. **Öljyisten työkalupileiden leikkaaminen voi aiheuttaa terän luistamista.** Pyyhi ylimääräinen öljy työkalupileistä ennen leikkaamista.
6. **Älä koskaan käytä leikkuuöljyä voiteluöljynä.** Käytä tähän tarkoitukseen vain Makitan leikkuvälinää.
7. **Ota työkalusta luja ote.**
8. **Pidä kädet kaukana pyöristävistä osista.**
9. **Kun leikkaat metallia, varo siitä irtoavia kuumia lastuja.**
10. **Älä jätä käynnissä olevaa työkalua ilman valvontaa.**
11. **Älä kosketa terää tai työkalupilettä välittömästi käytön jälkeen, sillä ne voivat olla erittäin kuumia ja saattavat polttaa ihoa.**

## Akkupakettia koskevia tärkeitä turvaohjeita

1. **Ennen akun käyttöönottoa tutustu kaikkiin laturissa (1), akussa (2) ja akkukäyttöisessä tuotteessa (3) oleviin varoitusteksteihin.**
2. **Älä pura akkua.**
3. **Jos akun toiminta-aika lyhenee merkittävästi, lopeta akun käyttö.** Seurauksena voi olla ylikuumeneminen, palovammoja tai jopa räjähdys.
4. **Jos akkunestettä pääsee silmiin, huuhtele puhtaalla vedellä ja hakeudu välittömästi lääkärin hoitoon.** Akkuneste voi aiheuttaa näön menetyksen.
5. **Älä oikosulje akkua.**
  - (1) **Älä koske akun napoihin millään sähköä johtavalla materiaalilla.**
  - (2) **Vältä akun oikosulkemista äläkä säilytä akkua yhdessä muiden metalliesineiden, kuten naulojen, kolikoiden ja niin edelleen kanssa.**
  - (3) **Älä aseta akkua alttiiksi vedelle tai sateelle.** Oikosulku voi aiheuttaa virtapiikin, ylikuumentumista, palovammoja tai laitteen rikkoontumisen.
6. **Älä säilytä työkalua ja akkua paikassa, jossa lämpötila voi nousta 50 °C:een tai sitäkin korkeammaksi.**
7. **Älä hävitä akkua polttamalla, vaikka se olisi pahoin vaurioitunut tai täysin loppuun kulunut.** Avotuli voi aiheuttaa akun räjähtämisen.
8. **Varo kolhimasta tai pudottamasta akkua.**
9. **Älä käytä viallista akkua.**
10. **Sisältyviä litium-ioni-akkuja koskevat vaarallisten aineiden lainsäädännön vaatimukset.** Esimerkiksi kolmansien osapuolten huolintaliikkeiden tulee kaupallisissa kuljetuksissa noudattaa pakkaamista ja merkintöjä koskevia erityisvaatimuksia. Lähetettävän tuotteen valmistelu edellyttää vaarallisten aineiden asiantuntijan neuvontaa. Huomioi myös mahdollisesti yksityiskohtaisemmat kansalliset määräykset  
Akun avoimet liittimet tulee suojata teipillä tai suojuksella ja pakkaaminen tulee tehdä niin, ettei akku voi liikkua pakkauksessa.
11. **Kun akkupaketti on hävitettävä, poista se laitteesta ja hävitä se turvallisesti.** Hävitä akku paikallisten määräysten mukaisesti.
12. **Käytä akkuja vain Makitan ilmoittamien tuotteiden kanssa.** Akkujen asentaminen yhteensopimattomiin tuotteisiin voi aiheuttaa tulipalon, liiallisen ylikuumenemisen, räjähdyksen tai akkunestevuotoja.
13. **Jos laitetta ei käytetä pitkään aikaan, akku on poistettava laitteesta.**

## SÄILYTÄ NÄMÄ OHJEET.

**HUOMIO:** Käytä vain alkuperäisiä Makita-akkuja. Muiden kuin aitojen Makita-akkujen, tai mahdollisesti muutettujen akkujen käyttö voi johtaa akun murtumiseen ja aiheuttaa tulipaloja, henkilö- ja omaisuusvahinkoja. Se mitätöi myös Makita-tökalun ja -laturin Makita-takuun.



## Vihjeitä akun käyttöiän pidentämiseksi

1. Lataa akku ennen kuin se purkautuu täysin. Lopeta aina työkalun käyttö ja lataa akku, jos huomaat työkalun tehon vähenävän.
2. Älä koskaan lataa uudestaan täysin ladattua akkua. Yliilataaminen lyhentää akun käyttöikää.
3. Lataa akku huoneen lämpötilassa välillä 10 °C - 40 °C. Anna kuumen akun jäähtyä ennen lataamista.
4. Lataa akkupaketti, jos et käytä sitä pitkään aikaan (yli kuusi kuukautta).

## TOIMINTOJEN KUVAUS

**⚠HUOMIO:** Varmista aina ennen säätöjä ja tarkastuksia, että työkalu on sammutettu ja akkupaketti irrotettu.

### Akun asentaminen tai irrottaminen

**⚠HUOMIO:** Sammuta työkalu aina ennen akun kiinnittämistä tai irrottamista.

**⚠HUOMIO:** Pidä työkalusta ja akusta tiukasti kiinni, kun irrotat tai kiinnität akkua. Jos akkupaketti tai työkalu putoaa, ne voivat vaurioitua tai aiheuttaa tapaturman.

- **Kuva1:** 1. Punainen merkkivalo 2. Painike 3. Akkupaketti

Irrota akku painamalla akun etupuolella olevaa painiketta ja vetämällä akku ulos työkalusta.

Akku liitetään sovittamalla akun kieleke rungon uraan ja työntämällä se sitten paikoilleen. Työnnä akku pohjaan asti niin, että kuulet sen napsahdavan paikoilleen. Jos painikkeen yläpuolella näkyy punainen ilmaisin, akku ei ole lukkiutunut täysin paikoilleen.

**⚠HUOMIO:** Työnnä akku aina pohjaan asti, niin että punainen ilmaisin ei enää näy. Jos akku ei ole kunnolla paikallaan, se voi pudota työkalusta ja aiheuttaa vammoja joko sinulle tai sivullisille.















**⚠HUOMIO:** Älä käytä voimaa akun asennuksessa. Jos akku ei liu'u paikalleen helposti, se on väärässä asennossa.

### Akun jäljellä olevan varaustason ilmaisin

*Vain akkupaketeille ilmaisimella*

- **Kuva2:** 1. Merkkivalot 2. Tarkistuspainike

Painamalla tarkistuspainiketta saat näkyviin akun jäljellä olevan varauksen. Merkkivalot palavat muutaman sekunnin ajan.

Merkkivalot			Akussa jäljellä olevan varaus
 Palaa	 Pois päältä	 Viikkuu	
			75% - 100%
			50% - 75%
			25% - 50%
			0% - 25%
			Lataa akku.
			Akussa on saattanut olla toimintahäiriö.
			








**HUOMAA:** Ilmoitettu varaustaso voi erota hieman todellisesta varaustasosta sen mukaan, millaisissa oloissa ja missä lämpötilassa laitetta käytetään.

### Akun jäljellä olevan varaustason ilmaisin

**Maakohtainen**

- **Kuva3:** 1. Akun merkkivalo

Kun liipaisinkytkintä painetaan, akun jäljellä oleva varaustaso näkyy LED-näytössä. Akun jäljellä oleva varaustaso näkyy seuraavassa taulukossa esitetyllä tavalla.

Akun merkkivalon tila			Akussa jäljellä oleva varaus
 Päällä	 Pois päältä	 Viikkuu	
			50% - 100%
			20% - 50%
			0% - 20%
			Lataa akku

**HUOMAA:** Kun LED-näyttö sammuu, työkalu sammuu, jotta akun varaus säästyisi. Voit tarkastaa akun jäljellä olevan varaustason vetämällä liipaisinkytkintä kevyesti.

**HUOMAA:** LED-näyttö sammuu noin minuutin kuluttua liipaisinkytkimen vapauttamisesta.

**HUOMAA:** Jos LED-näytön valot syttyvät ja työkalu pysähtyy, vaikka akku olisi vasta ladattu täyteen, anna työkalun jäähtyä riittävästi. Jos tila ei muutu, lopeta käyttö ja vie työkalu korjattavaksi paikalliseen Makita-huoltoon.

## Työkalun/akun suojausjärjestelmä

Työkalu on varustettu työkalu/akun suojausjärjestelmällä. Tämä järjestelmä pidentää työkalun ja akun käyttöikää katkaisemalla automaattisesti moottorin virran. Työkalu pysähtyy automaattisesti kesken käytön, jos työkalussa tai akussa ilmenee jokin seuraavista tilanteista:

## Ylikuormitusuoja

Kun työkalua käytetään tavalla, mikä saa sen kuluttamaan epätavallisen suuren määrän virtaa, työkalu pysähtyy automaattisesti ilman mitään merkivaloa tai ilmaisuina. Katkaise tässä tilanteessa työkalusta virta ja lopeta ylikuormitustilan aiheuttanut käyttö. Käynnistä sitten työkalu uudelleen kytkemällä siihen virta.

## Ylikuumenemissuoja

Kun työkalu ylikuumenee, työkalu pysähtyy automaattisesti ja lamppu alkaa vilkkua. Jos näin tapahtuu, anna työkalun ja akun jäähtyä ennen työkalun kytkemistä uudelleen päälle.

## Ylipurkautumissuoja

Kun akun varaus on riittämätön, työkalu pysähtyy automaattisesti. Irrota silloin akku työkalusta ja lataa se.

## Koukku

**⚠HUOMIO:** Älä koskaan ripusta työkalua korkealle tai mahdollisesti epävakaiseen paikkaan.

Koukku on kätevä työkalun tilapäiseen ripustamiseen. Voit käyttää koukkuja yksinkertaisesti nostamalla koukku ylös, kunnes se napsahtaa avoimeen asentoon. Kun sitä ei käytetä, paina koukku aina alas, kunnes se napsahtaa suljettuun asentoon.

### Avoin asento

► **Kuva4:** 1. Koukku

### Suljettu asento

► **Kuva5:** 1. Koukku

## Kytkimen käyttäminen

**⚠VAROITUS:** Tarkista aina ennen akkupaketin asettamista työkaluun, että liipaisinkytkin kytketty oikein ja palaa ”OFF”-asentoon, kun se vapautetaan.

**⚠VAROITUS:** ÄLÄ KOSKAAN ohita lukituksen vapautuspainiketta teippaamalla sitä kiinni tai muulla tavoin. Jos kytkimen lukituksen vapautuspainike vapautetaan, laite saattaa käynnistyä vahingossa, mistä voi seurata vakava henkilövahinko.

**⚠VAROITUS:** ÄLÄ KOSKAAN käytä sahaa, jos se käynnistyy pelkästään liipaisinkytkintä painamalla ilman, että painaisit lukituksen vapautuspainiketta. Jos kytkin on viallinen, laite saattaa käynnistyä vahingossa, mistä voi seurata vakava henkilövahinko. Toimita työkalu Makita-huoltoon korjattavaksi ENNEN kuin jatkat käyttöä.

Laitteessa on lukituksen vapautuspainike, joka estää liipaisinkytkimen painamisen vahingossa. Käynnistä työkalu painamalla lukituksen vapautuspainike sisään ja vetämällä liipaisinkytkimestä.

Työkalun nopeus kasvaa liipaisinkytkimeen kohdistuvaa voimaa lisättäessä. Pysäytä vapauttamalla liipaisinkytkin.

► **Kuva6:** 1. Lukituksen vapautuspainike 2. Liipaisinkytkin

## Nopeudensäätöpyörä

► **Kuva7:** 1. Nopeudensäätöpyörä

Työkalun nopeutta voidaan säätää portaattomasti välillä 1,3 m/s – 3,2 m/s säätöpyörää kääntämällä. Nopeus kasvaa, kun pyörää käännetään kohti numeroa 6, ja laskee, kun sitä käännetään kohti numeroa 1. Valitse nopeus sahattavan työkappaleen mukaan.

**HUOMAUTUS:** Kun muutat säätöpyörää lukemasta ”6” lukemaan ”1”, käännä säätöpyörää vastapäivään. Älä käännä pyörää myötäpäivään väkisin.

**HUOMAUTUS:** Suurilla nopeuksilla sahaaminen saattaa sulattaa muovimateriaaleja.

## Etulamppu sytyttäminen

**⚠HUOMIO:** Älä katso suoraan lampuun tai valonlähteeseen.

Lamppu syttyy, kun painat liipaisinkytkintä. Lamppu palaa niin kauan kuin liipaisinkytkintä pidetään painettuna. Lamppu sammuu noin 10 sekunnin kuluttua liipaisinkytkimen vapauttamisesta.

► **Kuva8:** 1. Lamppu

**HUOMAA:** Varo kolhimasta lampua, ettei se vaurioidu tai sen toiminta-aika lyhene.

**HUOMAA:** Pyyhi lika pois linssistä kuivalla liinalla. Varo naarmuttamasta linssiä, ettei valoteho laske.

**HUOMAA:** Jos työkalu ylikuumenee, lamppu vilkkuu minuutin ajan, minkä jälkeen se sammuu. Anna tässä tapauksessa työkalun jäähtyä ennen sen uudelleen käyttöä.

## KOKOONPANO

**⚠HUOMIO:** Varmista aina ennen mitään työkälylle tehtäviä toimenpiteitä, että se on sammutettu ja akku irrotettu.

## Vannesahanterän asennus tai irrotus

**⚠HUOMIO:** Vannesahanterässä oleva öljy voi saada terän luistamaan tai irtoamaan vahingossa. Pyyhi ylimääräinen öljy liinalla ennen vannesahanterän asentamista.

**⚠HUOMIO:** Käytä aina suojakäsineitä, kun käsittelet vannesahanterää.

**⚠HUOMIO:** Kun käsittelet vannesahanterää, varo sen hampaiden teräviä reunoja.

**⚠HUOMIO:** Pidä kehosi osat poissa vannesahanterän liikkumisalueelta, kun tarkistat terän liikkumisen.

**⚠HUOMIO:** Kun löysää vannesahanterää kääntämällä terän kiristysvipua myötäpäivään, suuntaa laite alaspäin, koska vannesahaterä voi irrota äkillisesti.

Vannesahanterän asennus:

1. Löysää teräpyörää kääntämällä terän kiristysvipua myötäpäivään, kunnes vipu pysähtyy.  
► **Kuva9:** 1. Kiristä 2. Löysää 3. Terän kiristysvipu
2. Avaa teräpyörän suojuksen.  
► **Kuva10:** 1. Teräpyörän suojuksen 2. Salpa

**HUOMAUTUS:** Kun avaat teräpyörän suojuksen, paina molemmat salvat auki samanaikaisesti. Vain toisen salvan avaaminen voi johtaa teräpyörän suojuksen halkeamiseen.

3. Tarkista, että vannesahanterän ja teräpyörän nuolisymbolit osoittavat samaan suuntaan.
4. Aseta vannesahanterän suora reuna ylä- ja alaohjaimen. Varmista, että vannesahanterä koskettaa pohjalaakeria sekä ylä- että alaohjaimessa.  
► **Kuva11:** 1. Alaohjain 2. Yläohjain 3. Pohjalaakeri
5. Paina vannesahanterän keskiosaa ja aseta terä toisen teräpyörän ympärille. Teräpyörän siirtäminen suuntaan A helpottaa terän asettamista paikalleen.  
► **Kuva12:** 1. Teräpyörä 2. Kumirengas
6. Aseta vannesahanterä toisen teräpyörän päälle samalla tavalla.
7. Aseta vannesahanterän reuna kumirengasta vasten.
8. Pidä vannesahanterää paikallaan ja kierrä terän kiristysvipua vastapäivään, kunnes vipu pysähtyy. Näin vannesahanterä tulee sopivan kireälle.
9. Sulje teräpyörän suojuksen.

**HUOMAUTUS:** Varmista, että vannesahanterä on asianmukaisesti paikallaan teräpyörän päällä.

**HUOMAUTUS:** Varmista, että vannesahanterä pyörii oikein teräpyörällä, käynnistämällä ja pysäyttämällä laite pari kolme kertaa.

Vannesahanterä irrotetaan päinvastaisessa järjestyksessä.

## Teränohjauksen säätö

Jos vannesahanterä pyrkii toistuvasti hyppäämään teräpyörältä, säädä teränohjausta. Säätäminen tapahtuu asettamalla kuusioavain säätöaukkoon kuvan mukaisesti ja kääntämällä avainta neljänneskiertos myötäpäivään. Tarkista sitten, luistaako vannesahanterä edelleen paikaltaan. Jos niin käy edelleen, käännä avainta neljänneskiertos lisää ja tarkista sitten, luistaako vannesahanterä edelleen.  
► **Kuva13:** 1. Kuusioavain 2. Säätöaukko

## Rajoitinlevyn säätäminen

Normaalikäytössä rajoitinlevy on ääriasennossa A. Jos rajoitinlevy osuu leikkauksen loppuvaiheessa esteeseen, kuten seinään tai vastaavaan, löysää molemmat pultit ja työnnä levy asentoon B kuvan mukaisesti. Kun rajoitinlevy on siirretty, kiinnitä se paikalleen kiristämällä molemmat pultit.  
► **Kuva14:** 1. Rajoitinlevy 2. Pultit 3. Vannesahanterä

## Sivukahvan asentaminen (kahva)

### Lisävaruste

Kiinnitä sivukahva työkaluun kuvan mukaisesti.  
► **Kuva15**

## TYÖSKENTELY

**HUOMIO:** Työnnä akkupaketti pohjaan asti, niin että se napsahtaa paikoilleen. Jos painikkeen yläpuolella näkyy punainen ilmaisin, akku ei ole lukkiutunut täysin paikoilleen. Työnnä se pohjaan asti, niin että punaista ilmaisinta ei enää näy. Jos akku ei ole kunnolla paikallaan, se voi pudota työkalusta ja aiheuttaa vammoja joko sinulle tai sivullisille.

**HUOMIO:** Pidä aina kiinni kahvasta. Älä koskaan pidä kiinni työkalun rungosta tai suojuksista. Jos työkalua pidetään kiinni niistä, kädet voivat luistaa ja osua vannesahanterään. Tämä voi aiheuttaa henkilövahinkoja.

**HUOMIO:** Varmista, että teräpyörän suojuksen on tiukasti paikallaan.

**HUOMIO:** Pidä työkalusta tukevasti kiinni sen käynnistämisen, sammuttamisen ja käytön aikana. Muuten työkalu voi pudota ja aiheuttaa henkilövahinkoja.

**HUOMIO:** Suojaa kätesi kuumilta lentäviltä lasituilla pitämällä käsineitä aina, kun leikkaat metallia.

**HUOMIO:** Pidä vartalo ja kasvot pois vannesahanterän ja lentävien säleiden tieltä.

Tasainen leikkaus edellyttää, että ainakin kaksi hammasta ottaa aina kiinni leikkauskohtaan.

► **Kuva16**

Aseta vannesahanterä kuvan mukaisesti sopivaan leikkausasentoon suhteessa työkappaleeseen.

► **Kuva17**

1. Pidä työkalusta kiinni kuvan mukaisesti.

Varmista aina ennen työkalun käynnistämistä, että rajoitinlevy on kiinni työkappaleesta ja vannesahanterä on irti työkappaleesta.

► **Kuva18**

2. Käynnistä sitten työkalu ja odota, kunnes vannesahanterä saavuttaa täyden nopeuden. Laske terä hitaasti leikkuukohtaan. Riittävä leikkauspaine syntyy työkalun omasta painosta. Voit myös painaa terää alas kevyesti. Älä käytä tarpeetonta voimaa.

► **Kuva19**

3. Kun pääset leikkauksen loppuun, hellitä leikkauspainetta ja nosta työkalua hieman, jotta se ei kaadu työkaluun vasten.

**HUOMAUTUS:** Liiallinen työkalun painaminen tai vannesahanterän kiertäminen voi aiheuttaa viiston leikkauksen tai vaurioittaa terää.

**HUOMAUTUS:** Jos työkalua ei käytetä pitkään aikaan, irrota vannesahanterä.

**HUOMAUTUS:** Jos työkalua käytetään jatkuvasti niin pitkään, että akku tyhjenee, anna työkalun seistä 15 minuuttia ennen kuin jatkat työskentelyä uudella akulla.

## Leikkuuvoiteluaine

### Lisävaruste

**⚠HUOMIO:** Älä käytä leikkuuöljyä vannesahanterässä tai levitä sille liikaa vaha. Seurauksena voi olla terän äkillinen luistaminen tai irtoaminen.

**⚠HUOMIO:** Älä käytä leikkuuvahaa, kun leikkaat valurautaa.

Kun leikkaat metalleja, käytä voiteluun Makitan leikkuuvahaa. Levitä leikkuuvaha vannesahanterän hampaalle avaamalla leikkuuvahapakkauksen suojuus, käynnistämällä työkalu ja sahaamalla leikkuuvahaa kuvan mukaisesti.

► **Kuva20:** 1. Leikkuuvaha

## KUNNOSSAPITO

**⚠HUOMIO:** Varmista aina ennen tarkastusta tai huoltoa, että työkalu on sammutettu ja akku irrotettu.

**HUOMAUTUS:** Älä koskaan käytä bensiiniä, ohenteita, alkoholia tai tms. aineita. Muutoin pinta voi halkeilla tai sen värit ja muoto voivat muuttua. Muutoin laitteeseen voi tulla värjäytymiä, muodon vääristymiä tai halkeamia.

Tuotteen TURVALLISUUDEN ja LUOTETTAVUUDEN takaamiseksi korjaukset, muut huoltotyöt ja säädöt on teetettävä Makitan valtuutetussa huoltopisteessä Makitan varaosia käyttäen.

## Puhdistus

**⚠HUOMIO:** Kumirenkasiin jäävä vaha ja lastut voivat saada vannesahanterän luistamaan ja irtoamaan odottamatta. Pyyhi vaha ja lastut kumirenkaista kuivalla liinalla.

Käytön jälkeen puhdista työkalu, teräpyörien kumirenkaat ja vannesahanterä vahasta, lastuista ja pölystä.

## Teräpyörien kumirenkaiden vaihtaminen

Vaihda kumirenkaat, jos kuluneet kumirenkaat saavat vannesahanterän luistamaan tai kulkemaan epätasaisesti.

Kysy kumirenkaiden vaihtamisesta Makitan valtuuttamasta huollosta tai tehtaalta.

## LISÄVARUSTEET

**⚠HUOMIO:** Seuraavia lisävarusteita tai laitteita suositellaan käytettäväksi tässä ohjeessa kuvatun Makita-työkalun kanssa. Muiden lisävarusteiden tai laitteiden käyttö voi aiheuttaa henkilövahinkoja. Käytä lisävarusteita ja -laitteita vain niiden käyttötarkoituksen mukaisesti.

Jos tarvitset apua tai yksityiskohtaisempia tietoja seuraavista lisävarusteista, ota yhteys paikalliseen Makitan huoltoon.

- Aito Makitan akku ja laturi
- Vannesahanterät
- Leikkuuvaha
- Kahva 36

**HUOMAA:** Jotkin luettelossa mainitut varusteet voivat sisältyä työkalun toimitukseen vakiovarusteina. Ne voivat vaihdella maittain.

## SPECIFIKATIONER

<b>Model:</b>		<b>DPB183</b>
Maks. skærekapacitet	Rundt arbejdsemne	66 mm dia.
	Firkantet arbejdsemne	66 mm x 66 mm
Klinge-hastighed		0 - 3,2 m/s (0 - 190 m/min)
Klingestørrelse	Længde	835 mm
	Bredde	13 mm
	Tykkelse	0,5 mm
Dimensioner (L x B x H) uden hjuldæksel		392 mm x 174 mm x 242 mm
Mærkespænding		18 V DC
Nettovægt uden hjuldæksel		3,6 - 3,9 kg

- På grund af vores kontinuerlige forsknings- og udviklingsprogrammer kan hosstående specifikationer blive ændret uden varsel.
- Specifikationer kan variere fra land til land.
- Vægten kan være anderledes afhængigt af tilbehøret, inklusive akkuen. Den letteste og tungeste kombination i henhold til EPTA-procedure 01/2014 er vist i tabellen.

## Anvendelig akku og oplader

Akku	BL1815N / BL1820 / BL1820B / BL1830 / BL1830B / BL1840 / BL1840B / BL1850 / BL1850B / BL1860B
Oplader	DC18RC / DC18RD / DC18RE / DC18SD / DC18SE / DC18SF / DC18SH

- Nogle af de akkuer og opladere, der er angivet ovenfor, er muligvis ikke tilgængelige, afhængigt af hvilket område du bor i.

**⚠ ADVARSEL:** Brug kun de akkuer og opladere, der er angivet ovenfor. Brug af andre akkuer og opladere kan medføre personskaade og/eller brand.

## Tilsigtet anvendelse

Maskinen er beregnet til skæring i plastik og jernholdige materialer.

## Støj

Det typiske A-vægtede støjniveau bestemt i overensstemmelse med EN60745-2-20:

Lydtryksniveau ( $L_{pA}$ ): 80 dB (A)

Usikkerhed (K): 3 dB (A)

Støjniveauet under arbejdet kan overskride 80 dB (A).

**BEMÆRK:** De(n) angivne støjemissionsværdi(er) er målt i overensstemmelse med en standardtestmetode og kan anvendes til at sammenligne en maskine med en anden.

**BEMÆRK:** De(n) angivne støjemissionsværdi(er) kan også anvendes i en præliminær eksponeringsvurdering.

**⚠ ADVARSEL:** Bær høreværn.

**⚠ ADVARSEL:** Støjemissionen under den faktiske anvendelse af maskinen kan være forskellig fra de(n) angivne værdi(er), afhængigt af den måde hvorpå maskinen anvendes, især den type arbejdsemne der behandles.

**⚠ ADVARSEL:** Sørg for at identificere de sikkerhedsforskrifter til beskyttelse af operatøren, som er baseret på en vurdering af eksponering under de faktiske brugsforhold (med hensyntagen til alle dele i brugs-cyklussen, f.eks. de gange, hvor maskinen er slukket, og når den kører i tomgang i tilgift til afbrydertiden).

## Vibration

Vibrationens totalværdi (tre-aksial vektorsum) bestemt i overensstemmelse med EN60745-2-20:

Arbejdstilstand: skæring i metal

Vibrationsemission ( $a_{h,M}$ ): 2,5 m/s<sup>2</sup> eller mindre

Usikkerhed (K): 1,5 m/s<sup>2</sup>

**BEMÆRK:** De(n) angivne totalværdi(er) for vibration er målt i overensstemmelse med en standardtestmetode og kan anvendes til at sammenligne en maskine med en anden.

**BEMÆRK:** De(n) angivne totalværdi(er) for vibration kan også anvendes i en præliminær eksponeringsvurdering.

**⚠ ADVARSEL:** Vibrationsemissionen under den faktiske anvendelse af maskinen kan være forskellig fra de(n) angivne værdi(er), afhængigt af den måde hvorpå maskinen anvendes, især den type arbejdsemne der behandles.

**⚠ ADVARSEL:** Sørg for at identificere de sikkerhedsforskrifter til beskyttelse af operatøren, som er baseret på en vurdering af eksponering under de faktiske brugsforhold (med hensyntagen til alle dele i brugscyklussen, f.eks. de gange, hvor maskinen er slukket, og når den kører i tomgang i tilgift til afbrydertiden).

## EF-overensstemmelseserklæring

### Kun for lande i Europa

EF-overensstemmelseserklæringen er inkluderet som Bilag A i denne brugsanvisning.

## SIKKERHEDSADVARSLER

### Almindelige sikkerhedsregler for el-værktøj

**⚠ ADVARSEL:** Læs alle de sikkerhedsadvarsler, instruktioner, illustrationer og specifikationer, der følger med denne maskine. Forsømmelse af at overholde alle nedenstående instruktioner kan medføre elektrisk stød, brand og/eller alvorlig personskade.

## Gem alle advarsler og instruktioner til fremtidig reference.

Ordet "el-værktøj" i advarslerne henviser til det netforsyede (netledning) el-værktøj eller batteriforsyede (akku) el-værktøj.

### Sikkerhedsadvarsler for akku bærbar båndsav

1. Hold maskinen i de isolerede gribeblader, når der udføres et arbejde, hvor skæretilbehøret kan komme i kontakt med skjulte ledninger. Skærende tilbehør, som kommer i kontakt med en strømførende ledning, kan bevirke, at udsatte metaldele på maskinen bliver strømførende, hvorved operatøren kan få elektrisk stød.
2. Brug kun klinger, der er angivet under "SPECIFIKATIONER".
3. Efterse omhyggeligt klingens revner eller beskadigelse før brugen. Udskift øjeblikkeligt en revnet eller beskadiget klinge.
4. Fastgør arbejdsemnet forsvarligt. Når der skæres i et bundt af arbejdsemner, skal du sikre dig, at alle arbejdsemnerne er fastgjort solidt sammen, før der skæres.
5. Hvis der skæres i arbejdsemner, som er dækket af olie, kan det medføre, at klingens greb bliver uklare. Tør alt overskydende olie af arbejdsemner, før der skæres.
6. Brug aldrig skæreeolie som skæresmørelse. Brug kun Makita skæreevoks.
7. Hold godt fast i maskinen.

8. Hold hænderne på afstand af roterende dele.
9. Vær opmærksom på varme flyvende spåner, når der skæres i metal.
10. Lad ikke maskinen køre uovervåget.
11. Rør ikke ved klingens eller arbejdsemnet umiddelbart efter anvendelse. De kan begge være meget varme og forårsage forbrænding af huden.

## Vigtige sikkerhedsinstruktioner for akkuen

1. Læs alle instruktioner og advarselmærkater på (1) akku-opladeren, (2) akkuen og (3) produktet, som anvender akku.
2. Lad være med at skille akkuen ad.
3. Hold straks op med anvendelsen, hvis brugstiden er blevet stærkt afkortet. Fortsat anvendelse kan resultere i risiko for overophedning, forbrændinger og endog eksplosion.
4. Hvis De har fået elektrolytvæske i øjnene, skal De straks skylle den ud med rent vand og derefter øjeblikkeligt søge lægehjælp. I modsat fald kan De miste synet.
5. Vær påpasselig med ikke at komme til at kortslutte akkuen:
  - (1) Rør ikke ved terminalerne med noget ledende materiale.
  - (2) Undgå at opbevare akkuen i en beholder sammen med andre genstande af metal, for eksempel søm, mønter og lignende.
  - (3) Udsæt ikke akkuen for vand eller regn. Kortslutning af akkuen kan forårsage en kraftig øgning af strømmen, overophedning, mulige forbrændinger og endog værktøjstop.
6. Opbevar ikke værktøjet og akkuen på et sted, hvor temperaturen kan nå eller overstige 50 °C.
7. Lad være med at brænde akkuen, selv ikke i tilfælde, hvor den har lidt alvorlig skade eller er fuldstændig udtjent. Akkuen kan eksplodere, hvis man forsøger at brænde den.
8. Lad være med at brænde akkuen eller udsætte den for stød.
9. Anvend ikke en beskadiget akku.
10. De indbyggede litium-ion-batterier er underlagt lovkrav vedrørende farligt gods. Ved kommerciel transport, f.eks. af tredjeparts transportselskaber, skal særlige krav til forpakning og mærkning overholdes. Ved forberedelse af udstyret til forsendelse skal du kontakte en ekspert i farligt gods. Overhold også eventuel mere detaljeret national lovgivning. Tape eller tildæk åbne kontakter, og pak batteriet på en måde, så det ikke kan flytte sig rundt i pakningen.
11. Når akkuen bortskaftes, skal du fjerne den fra maskinen og bortskaft den på et sikkert sted. Følg de lokale love vedrørende bortskaftelsen af batterier.
12. Brug kun batterierne med de produkter, som Makita specificerer. Hvis batterierne installeres i ikke-kompatible produkter, kan det medføre brand, kraftig varme, eksplosion eller udsivning af elektrolyt.
13. Hvis maskinen ikke skal bruges i længere tid ad gangen, skal du fjerne batteriet fra maskinen.

## GEM DENNE BRUGSANVISNING.

**⚠️ FORSIGTIG:** Brug kun originale batterier fra Makita. Brug af uoriginale Makita-batterier, eller batterier som er blevet ændret, kan muligvis medføre brud på batteriet, hvilket kan forårsage brand, personskade eller beskadigelse. Det ugyldiggør også Makita-garantien for Makita-maskinen og opladeren.

## Tips til opnåelse af maksimal akku-levetid

1. Oplad akkuen, inden den er helt afladet. Stop altid værktøjet, og oplad akkuen, hvis De bemærker, at værktøjeffekten er aftagende.
2. Genoplad aldrig en fuldt opladet akku. Overopladning vil afkorte akkuens levetid.
3. Oplad akkuen ved stuetemperatur ved 10 °C - 40 °C. Lad altid en varm akku få tid til at køle af, inden den oplades.
4. Oplad akkuen, hvis De ikke skal bruge den i længere tid (mere end seks måneder).

## FUNKTIONSBESKRIVELSE

**⚠️ FORSIGTIG:** Sørg altid for at maskinen er slukket, og at akkuen er taget ud, før der udføres justering eller kontrol af funktioner på maskinen.

### Isætning eller fjernelse af akkuen

**⚠️ FORSIGTIG:** Sluk altid for værktøjet, før De monterer eller fjerner akkuen.

**⚠️ FORSIGTIG:** Hold værktøjet og akkuen fast ved montering eller fjernelse af akkuen. Hvis De ikke holder værktøjet og akkuen fast, kan de glide ud af hænderne på Dem og forårsage beskadigelse af værktøjet og akkuen eller personskade.

► Fig.1: 1. Rød indikator 2. Knap 3. Akku

Akkuen fjernes ved, at De trækker den ud af værktøjet, idet De skyder knappen på forsiden af akkuen i stilling.

Akkuen monteres ved, at De sætter tungen på akkuen ud for noten i kabinettet og lader den glide på plads. Sæt den hele vejen ind, så den låses på plads med et lille klik. Hvis den røde indikator på oversiden af knappen er synlig, betyder det, at den ikke er tilstrækkeligt låst.

**⚠️ FORSIGTIG:** Monter altid akkuen helt, indtil den røde indikator ikke længere er synlig. Hvis dette ikke gøres, kan den falde ud af værktøjet ved et uheld, hvorved De selv eller personer i nærheden kan komme til skade.

**⚠️ FORSIGTIG:** Brug ikke magt ved montering af akkuen. Hvis akkuen ikke glider på plads uden problemer, betyder det, at den ikke sættes i på korrekt vis.

## Indikation af den resterende batteriladning

**Kun til akkuer med indikatoren**

► Fig.2: 1. Indikatorlamper 2. Kontrolknop

Tryk på kontrolknappen på akkuen for at få vist den resterende batteriladning. Indikatorlampen lyser i nogle sekunder.

Indikatorlamper			Resterende ladning
Tændt	Slukket	Blinker	
■	□	◐	75% til 100%
■	■	□	50% til 75%
■	□	□	25% til 50%
■	□	□	0% til 25%
◐	□	□	Genoplad batteriet.
■	■	□	Der er muligvis fejl i batteriet.
□	□	■	

**BEMÆRK:** Afhængigt af brugsforholdene og den omgivende temperatur kan indikationen afvige en smule fra den faktiske ladning.

## Indikation af den resterende batteriladning

**Landespecifik**

► Fig.3: 1. Batteriindikator

Når du trykker på afbryderknappen, viser LED-displayet den resterende batteriladning. Den resterende batteriladning vises som i følgende tabel.

Status på batteriindikator			Resterende batteriladning
Tændt	Slukket	Blinker	
■	□	◐	50% til 100%
■	■	□	20% til 50%
■	□	□	0% til 20%
◐	□	□	Genoplad batteriet

**BEMÆRK:** Når LED-displayet slukkes, slukkes der for maskinen for at spare batteriladning. For at kontrollere den resterende batteriladning skal du trykke let på afbryderknappen.

**BEMÆRK:** LED-displayet slukker cirka et minut, efter at afbryderknappen er sluppet.

**BEMÆRK:** Hvis LED-displayet tændes, og maskinen stopper selv med en fuldt opladet akku, skal du lade maskinen køle helt ned. Hvis status ikke ændres, skal du ophøre med brugen og få maskinen repareret på det lokale Makita-servicecenter.

## Beskyttelsessystem til værktøj/batteri

Maskinen er udstyret med et beskyttelsessystem til maskinen/batteriet. Dette system afbryder automatisk strømmen til motoren for at forlænge maskinens og batteriets levetid. Maskinen stopper automatisk under brugen, hvis maskinen eller batteriet udsættes for et af følgende forhold:

## Overbelastningsbeskyttelse

Hvis batteriet bruges på en måde, der får det til at trække en unormalt høj strøm, stopper maskinen automatisk uden indikation. Sluk i så fald for maskinen, og stop den anvendelse, der medførte overbelastningen af maskinen. Tænd derefter for maskinen for at starte igen.

## Beskyttelse mod overophedning

Hvis maskinen er overophedet, stopper maskinen automatisk, og lampen begynder at blinke. Lad i så fald maskinen og batteriet køle af, før der tændes for maskinen igen.

## Beskyttelse mod overafledning

Når batteriladningen er utilstrækkelig, stopper maskinen automatisk. Tag i så fald akkuen ud af maskinen, og oplad akkuen.

## Krog

**⚠️FORSIGTIG: Ophæng aldrig maskinen på et hjøtliggende eller potentielt ustabilt sted.**

Krogen er praktisk til midlertidig ophængning af maskinen. For at bruge krogen skal du blot løfte krogen, indtil den fastlåses i den åbne position. Når den ikke er i brug, skal du sænke krogen, indtil den fastlåses i den lukkede position.

### Åben position

► Fig.4: 1. Krog

### Lukket position

► Fig.5: 1. Krog

## Afbryderbetjening

**⚠️ADVARSEL:** Inden akkuen sættes i maskinen, bør De altid kontrollere, at afbryderknappen fungerer korrekt, og returnerer til "OFF"-positionen, når den slippes.

**⚠️ADVARSEL:** Omgå ALDRIG lås fra-knappens funktion ved at tape den fast eller på andre måder. En afbryder med en blokeret lås fra-knap kan medføre utilsigtet funktion og alvorlig personskade.

**⚠️ADVARSEL:** Brug ALDRIG maskinen, hvis den kører, når du blot trykker på afbryderknappen uden at trykke på lås fra-knappen. En afbryder, der skal repareres, kan medføre utilsigtet funktion og alvorlig personskade. Returner maskinen til et Makita-servicecenter for nødvendige reparationer INDEN yderligere brug.

For at forhindre utilsigtet tryk på afbryderknappen er maskinen udstyret med en lås fra-knap. Maskinen startes ved at trykke på lås fra-knappen ned og trykke på afbryderknappen.

Maskinens hastighed øges ved at øge trykket på afbryderknappen. Slip afbryderknappen for at stoppe.

► Fig.6: 1. Lås fra-knap 2. Afbryderknap

## Drejeknap til hastighedsjustering

► Fig.7: 1. Hastighedsvælger

Maskinens hastighed kan ændres trinløst mellem 1,3 m/s og 3,2 m/s ved at dreje på hastighedsvælgeren. Der opnås en højere hastighed ved at dreje håndtaget i retning mod tallet 6, og der opnås en lavere hastighed ved at dreje det i retning mod tallet 1. Vælg den rigtige hastighed til det arbejdsområde, der skal skæres i.

**BEMÆRKNING:** Når hastighedsvælgeren flyttes fra "6" til "4", skal du dreje vælgeren med uret. Brug ikke magt til at dreje vælgeren med uret.

**BEMÆRKNING:** Plastikmaterialer kan muligvis smelte ved skæring ved høje hastigheder.

## Tænding af lampen foran

**⚠️FORSIGTIG:** Kig aldrig direkte på lyskilden. Lad ikke lyset falde i Deres øjne.

Tryk afbryderknappen ind for at tænde for lampen. Lampen fortsætter med at lyse, så længe afbryderknappen trykkes ind. Lampen slukkes cirka 10 sekunder efter, at afbryderknappen er sluppet.

► Fig.8: 1. Lampe

**BEMÆRK:** Undlad at bruge magt på lampen, da det kan medføre beskadigelse eller forkortet levetid.

**BEMÆRK:** Brug en tør klud til at tørre snævret af lampens linse. Pas på ikke at ridse lampens linse, da dette muligvis kan dæmpe belysningen.

**BEMÆRK:** Når maskinen er overophedet, blinker lampen i et minut, hvorefter den slukker. Lad i så fald maskinen køle af, før den bruges igen.

## SAMLING

**⚠️FORSIGTIG:** Sørg altid for at maskinen er slukket, og at akkuen er taget ud, før der udføres noget arbejde på maskinen.

## Montering eller afmontering af båndsavklingen

**⚠️FORSIGTIG:** Olie på båndsavklingen kan medføre, at klingens glider eller går af uventet. Aftør alt overskydende olie med en klud, før båndsavklingen monteres.

**⚠️FORSIGTIG:** Bær altid arbejdshandsker, når du håndterer båndsavklingen.

**⚠️FORSIGTIG:** Vær forsigtig, når du håndterer båndsavklingen, for at undgå, at du skærer dig på klingetændernes skarpe kant.

**⚠️FORSIGTIG:** Hold kroppen væk fra båndsavklingen, når du kontrollerer klingens bevægelse.

**⚠️FORSIGTIG:** Når klingestramningshåndtaget drejes i urets retning for at frigøre båndsavklingens spænding, skal du vende maskinen nedad, da båndsavklingen kan gå af uventet.



Sådan monteres båndsavklingen:

1. Drej klingestramningshåndtaget i retningen med uret, indtil det stopper, for at løsne hjulet.

► **Fig.9:** 1. Tilspænd 2. Løsne  
3. Klingestramningshåndtag

2. Åbn hjuldækslet.

► **Fig.10:** 1. Hjuldæksel 2. Krog

**BEMÆRKNING:** Når du åbner hjuldækslet, skal du åbne og frigive begge krogene på samme tid. Hvis du kun åbner én krog, kan det medføre revner på hjuldækslet.

3. Tilpas pilenes retning på båndsavklingen og på hjulene.

4. Indsæt den ikke-takkede side af båndsavklingen i den øverste holder og nederste holder. Sørg for, at båndsavklingen i både øverste og nederste holder berører bundlejerne.

► **Fig.11:** 1. Nederste holder 2. Øverste holder  
3. Bundleje

5. Tryk på den midterste del af båndsavklingen, og placer klingens omkring det ene hjul. Dette er lettere, hvis du flytter hjulet til A-siden.

► **Fig.12:** 1. Hjul 2. Gummidæk

6. Placer båndsavklingen på det andet hjul på samme måde.

7. Placer kanten af båndsavklingen på gummidækket.

8. Hold båndsavklingen på plads, og drej klingestramningshåndtaget i retningen mod uret, indtil det stopper. Dette anvender passende spænding på båndsavklingen.

9. Luk hjuldækslet.

**BEMÆRKNING:** Sørg for, at båndsavklingen sidder korrekt omkring hjulene.

**BEMÆRKNING:** Start og stop maskinen to eller tre gange for at sikre dig, at båndsavklingen kører korrekt på hjulene.

Følg monteringsvejledningen i omvendt rækkefølge for at fjerne båndsavklingen.

## Justering af klingegangen

Hvis båndsavklingen har tendens til at glide af hjulet, skal du justere klingegangen.

For at justere skal du indsætte sekskantnøglen i justeringshullet som vist og dreje en kvart omgang med uret. Tjek derefter, at båndsavklingen ikke glider ud.

Hvis den stadig glider ud, skal du dreje endnu en kvart omgang og kontrollere, indtil båndsavklingen ikke glider ud.

► **Fig.13:** 1. Sekskantnøgle 2. Justeringshul

## Justering af anlagspladens position

Ved normal anvendelse skal anlagspladen stikke helt ud til A-siden.

Når anlagspladen støder mod forhindringer som fx en væg eller lignende ved afslutningen af en skæring, skal du løsne to bolte og skubbe den til B-siden i figuren.

Efter du har skubbet anlagspladen, skal du fastgøre den ved at stramme to bolte fast til.

► **Fig.14:** 1. Anlagsplade 2. Bolte 3. Båndsavklinge

## Montering af sidehåndtag

### Ekstraudstyret

Skriv sidehåndtaget ordentligt ind på maskinen på det på illustrationen viste sted.

► **Fig.15**

## ANVENDELSE

**⚠FORSIGTIG:** Sæt altid akkuen helt ind, indtil den låses på plads. Hvis du kan se den røde indikator på den øverste side af knappen, er den ikke helt låst. Sæt den helt ind, indtil den røde indikator ikke kan ses. I modsat fald kan den ved et uheld falde ud af maskinen og medføre personskade på dig eller personer i nærheden.

**⚠FORSIGTIG:** Hold altid i håndtaget. Hold aldrig i maskinens kabinet eller beskyttelsesskærme. Hænderne kan glide fra disse steder og komme i kontakt med båndsavklingen. Dette kan medføre personskade.

**⚠FORSIGTIG:** Sørg for, at hjuldækslet er lukket forsvarligt.

**⚠FORSIGTIG:** Sørg for at holde fast i maskinen, når der tændes eller slukkes for maskinen eller under skæring. Ellers kan maskinen falde ned og forårsage personskade.

**⚠FORSIGTIG:** Ved savning i metal bør De altid bære handsker for at beskytte hænderne mod flyvende, varme spåner.

**⚠FORSIGTIG:** Hold din krop og dit ansigt væk fra båndsavklingen og flyvende spåner.

Hold altid mindst to tænder i snittet for at opnå en stabil skæring.

► **Fig.16**

Sæt båndsavklingen i den passende skæreposition på arbejdsemnet som vist.

► **Fig.17**

1. Hold maskinen som illustreret.

Før der tændes for maskinen, skal du altid sikre dig, at anlagspladen berører arbejdsemnet, og at båndsavklingen er fri af arbejdsemnet.

► **Fig.18**

2. Tænd for maskinen, og vent, indtil båndsavklingen når op på fuld hastighed. Sænk forsigtigt klingens snittet. Maskinens vægt eller et let tryk på maskinen giver tilstrækkeligt tryk til skæringen. Undlad at presse maskinen.  
► **Fig.19**

3. Når du når slutningen af en skæring, skal du frigøre trykket og løfte maskinen en smule, så maskinen ikke falder mod arbejdsemnet.

**BEMÆRKNING:** Brug af overdrevet tryk på maskinen eller vridning af båndsavklingen kan medføre skrånit eller beskadigelse af klingens.

**BEMÆRKNING:** Når maskinen ikke bruges i længere tid ad gangen, skal du fjerne båndsavklingen fra maskinen.

**BEMÆRKNING:** Hvis maskinen benyttes konstant, indtil akkuen er afladet, skal du lade maskinen hvile i 15 minutter, før der fortsættes med et opladet batteri.

## Skæresmørelse

### Ekstraudstyr

**⚠FORSIGTIG:** Brug aldrig skæreolie, og anvend ikke for store mængder voks på båndsavklingen. De kan få båndsavklingen til at glide eller gå af uventet.

**⚠FORSIGTIG:** Brug ikke nogen skærevoks, når der skæres i støbejern.

Brug Makita skærevoks som skæresmørelse, når der skæres i metaller. For at smøre skærevokset på tænderne på båndsavklingen skal du fjerne en hætte på skærevokset, starte maskinen og skære ned i skærevokset som vist.

► Fig.20: 1. Skærevoks

## VEDLIGEHOLDELSE

**⚠FORSIGTIG:** Vær altid sikker på, at værktøjet er slukket, og at akkuen er taget ud, inden De begynder at udføre inspektion eller vedligeholdelse.

**BEMÆRKNING:** Anvend aldrig benzin, rensebenzin, fortynder, alkohol og lignende. Det kan medføre misfarvning, deformation eller revner.

For at opretholde produktets SIKKERHED og PÅLIDELIGHED må reparation, vedligeholdelse eller justering kun udføres af et autoriseret Makita servicecenter eller fabrikksservicecenter med anvendelse af Makita reservedele.

## Rengøring

**⚠FORSIGTIG:** Voks og spåner på hjulenes gummidæk kan få båndsavklingen til at glide og gå af uventet. Brug en tør klud til at fjerne voks og spåner fra gummidækkene.

Efter brug skal du fjerne voks, spåner og støv fra maskinen, gummidækkene på hjulet og båndsavklingen.

## Udskiftning af gummidækkene på hjulene

Udskift gummidækkene, når båndsavklingen glider eller ikke følger den rigtige bane på grund af kraftigt slidte dæk.

Hvis du vil udskifte et gummidæk, skal du kontakte et autoriseret Makita servicecenter eller fabrikksservicecenter.

## EKSTRAUDSTYR

**⚠FORSIGTIG:** Det følgende tilbehør og ekstraudstyr er anbefalet til brug med Deres Makita maskine, der er beskrevet i denne brugsanvisning. Anvendelse af andet tilbehør eller ekstraudstyr kan udgøre en risiko for personskade. Anvend kun tilbehør og ekstraudstyr til det beskrevne formål.

Hvis De behøver hjælp ved valg af tilbehør eller ønsker yderligere informationer, bedes De kontakte Deres lokale Makita servicecenter.

- Original Makita-akku og oplader
- Båndsavklinger
- Skærevoks
- Håndtag 36

**BEMÆRK:** Nogle ting på denne liste kan være inkluderet i værktøjsspakken som standardtilbehør. Det kan være forskellige fra land til land.

## SPECIFIKĀCIJAS

Modelis:		DPB183
Maks. griešanas jauda	Apaļš apstrādājamo materiāls	Diam. 66 mm.
	Taisnstūra apstrādājamo materiāls	66 mm x 66 mm
Asmens ātrums		0 – 3,2 m/s (0 – 190 m/min)
Asmens izmērs	Garums	835 mm
	Platums	13 mm
	Biezums	0,5 mm
Izmēri (G x P x A) bez ripas pārsega		392 mm x 174 mm x 242 mm
Nominālais spriegums		Līdzstrāva 18 V
Neto svars bez ripas pārsega		3,6 – 3,9 kg

- Nepārtrauktās izpētes un izstrādes programmas dēļ šeit uzrādītās specifikācijas var tikt mainītas bez brīdinājuma.
- Atkarībā no valsts specifikācijas var atšķirties.
- Svārs var būt atšķirīgs atkarībā no papildierīces(-ēm), tostarp akumulatora kasetnes. Tabulā ir attēlota vieglākā un smagākā kombinācija atbilstoši EPTA procedūrai 01/2014.

### Piemērotā akumulatora kasetne un lādētājs

Akumulatora kasetne	BL1815N / BL1820 / BL1820B / BL1830 / BL1830B / BL1840 / BL1840B / BL1850 / BL1850B / BL1860B
Lādētājs	DC18RC / DC18RD / DC18RE / DC18SD / DC18SE / DC18SF / DC18SH

- Daži no iepriekš norādītajiem lādētājiem un akumulatora kasetnēm var nebūt pieejami atkarībā no jūsu mītnes reģiona.

**▲BRĪDINĀJUMS:** Izmantojiet vienīgi iepriekš norādītās akumulatora kasetnes un lādētājus. Cita tipa akumulatora kasetņu un lādētāju izmantošana var radīt traumu un/vai aizdegšanās risku.

### Paredzētā lietošana

Šis darbarīks ir paredzēts plastmasas un dzelzs materiālu griešanai.

### Trokšņa līmenis

Tipiskais A svērtais trokšņa līmenis noteikts saskaņā ar EN60745-2-20:

Skaņas spiediena līmeni ( $L_{pA}$ ): 80 dB (A)

Mainīgums (K): 3 dB (A)

Darbības laikā trokšņa līmenis var pārsniegt 80 dB (A).

**PIEZĪME:** Paziņotā trokšņa emisijas vērtība noteikta atbilstoši standarta pārbaudes metodei, un to var izmantot, lai salīdzinātu vienu darbarīku ar citu.

**PIEZĪME:** Paziņoto trokšņa emisijas vērtību arī var izmantot iedarbības sākotnējā novērtējumā.

**▲BRĪDINĀJUMS:** Lietojiet ausu aizsargus.

**▲BRĪDINĀJUMS:** Trokšņa emisija patiesos darba apstākļos var atšķirties no paziņotās vērtības atkarībā no darbarīka izmantošanas veida un jo īpaši atkarībā no apstrādājamā materiāla veida.

**▲BRĪDINĀJUMS:** Lai aizsargātu lietotāju, nosakiet drošības pasākumus, kas pamatoti ar iedarbību reālos darba apstākļos (ņemot vērā visus ekspluatācijas cikla posmus, piemēram, laiku, kamēr darbarīks ir izslēgts un kad darbojas tukšgaitā, kā arī palaides laiku).

### Vibrācija

Vibrācijas kopējā vērtība (trīsasu vektora summa) noteikta atbilstoši EN60745-2-20:

Darba režīms: metāla zāģēšana

Vibrācijas izmēte ( $a_{h,M}$ ): 2,5 m/s<sup>2</sup> vai mazāk

Mainīgums (K): 1,5 m/s<sup>2</sup>

**PIEZĪME:** Paziņotā kopējā vibrācijas vērtība noteikta atbilstoši standarta pārbaudes metodei, un to var izmantot, lai salīdzinātu vienu darbarīku ar citu.

**PIEZĪME:** Paziņoto kopējo vibrācijas vērtību arī var izmantot iedarbības sākotnējā novērtējumā.

**▲BRĪDINĀJUMS:** Vibrācijas emisija patiesos darba apstākļos var atšķirties no paziņotās vērtības atkarībā no darbarīka izmantošanas veida un jo īpaši atkarībā no apstrādājamā materiāla veida.

**▲BRĪDINĀJUMS:** Lai aizsargātu lietotāju, nosakiet drošības pasākumus, kas pamatoti ar iedarbību reālos darba apstākļos (ņemot vērā visus ekspluatācijas cikla posmus, piemēram, laiku, kamēr darbarīks ir izslēgts un kad darbojas tukšgaitā, kā arī palaišanas laiku).

## EK atbilstības deklarācija

*Tikai Eiropas valstīm*

EK atbilstības deklarācija šajā lietošanas rokasgrāmatā ir iekļauta kā A pielikums.

## DROŠĪBAS BRĪDINĀJUMI

### Vispārīgi elektrisko darbarīku drošības brīdinājumi

**▲BRĪDINĀJUMS:** Izlasiet visus drošības brīdinājumus, instrukcijas, apskatiet ilustrācijas un tehniskos datus, kas iekļauti mehanizētā darbarīka komplektācijā. Ja netiek ievēroti visi tālāk minētie noteikumi, var tikt izraisīta elektrotrauma, notikt aizdegšanās un/vai rasties smagas traumas.

### Glabājiet visus brīdinājumus un norādījumus, lai varētu tajos ieskatīties turpmāk.

Termins „elektrisks darbarīks” brīdinājumos attiecas uz tādu elektrisko darbarīku, ko darbina ar elektrību (ar vadu), vai tādu, ko darbina ar akumulatoru (bez vada).

### Drošības brīdinājumi bezvadu pārvietojamā lentzāģa lietošanai

1. Strādājot vietās, kur griezējinstrumenti varētu saskarties ar slēptu elektroinstalāciju, satveriet to aiz izolētajām satveršanas virsmām. Ja griešanas instruments saskarsies ar vadu, kurā ir strāva, visas mehanizētā darbarīka ārējās metāla virsmas var sākt vadīt strāvu un radīt elektriskās strāvas trieciena risku.
2. Izmantojiet tikai tādus asmeņus, kas norādīti “SPECIFIKĀCIJĀ”.
3. Pirms darba uzsākšanas rūpīgi pārbaudiet, vai asmenim nav plaisu vai bojājumu. Ieplaisājušu vai bojātu asmeni nekavējoties nomainiet.
4. Cieši nostipriniet apstrādājamā materiālu. Vienlaicīgi griezt vairākus apstrādājamos materiālus, pirms griešanas pārlecinieties, vai visi apstrādājamo materiāli ir cieši nostiprināti kopā.
5. Ar eļļu pārklāta apstrādājamā materiāla griešana var izraisīt negaidītu asmens nokrišanu. Pirms griešanas no apstrādājamā materiāla noslaukiet visu lieko eļļu.
6. Nekad neizmantojiet griešanas eļļu kā griešanas smērvielu. Lietojiet tikai Makita griešanas vasku.
7. Turiet darbarīku cieši.
8. Netuviniet rokas rotējošām daļām.

9. Griežot metālu, uzmanieties no karstām, atlecošām skaidām.
10. Neatstājiet darbarīku ieslēgtu bez uzraudzības.
11. Nepieskarieties asmenim vai apstrādājamajam materiālam tūlīt pēc darba veikšanas; tie var būt ļoti karsti un var apdedzināt ādu.

### Svarīgi drošības norādījumi par akumulatora kasetni

1. Pirms akumulatora lietošanas izlasiet visus norādījumus un brīdinājumus, kuri attiecas uz (1) akumulatora lādētāju, (2) akumulatoru un (3) ierīci, kurā tiek izmantots akumulators.
2. Neizjauciet akumulatoru.
3. Ja akumulatora darbības laiks kļuva ievērojami īsāks, nekavējoties pārtrauciet to izmantot. Citādi, tas var izraisīt pārkaršējumu, uzliesmojumu vai pat sprādzienu.
4. Ja elektrolīts nonāk acīs, izskalojiet tās ar tīru ūdens un nekavējoties griezieties pie ārsta. Tas var izraisīt redzes zudēšanu.
5. Neradiet īssavienojumu akumulatora kasetnē:
  - (1) Nepieskarieties spaiļēm ar elektrību vadošiem materiāliem.
  - (2) Neuzglabājiet akumulatora kasetni kopā ar citiem metāla priekšmetiem, tādiem kā naglas, monētas u. c.
  - (3) Nepakļaujiet akumulatora kasetni ūdens vai lietus iedarbībai.

Akumulatora īssavienojums var radīt spēcīgu strāvas plūsmu, pārkaršanu, uzliesmojumu un pat sabojāt akumulatoru.

6. Neglabājiet darbarīku un akumulatora kasetni vietās, kur temperatūra var sasniegt vai pārsniegt 50 °C (122 °F).
7. Nededziniet akumulatora kasetni, pat ja tā ir stipri bojāta vai pilnībā nolietota. Akumulatora kasetne ugunī var eksplodēt.
8. Uzmanieties, lai neļautu akumulatoram nokrist un nepakļautu to siltienam.
9. Neizmantojiet bojātu akumulatoru.
10. Uz izmantotajiem litija jonu akumulatoriem attiecas likumdošanas prasības par bīstamiem izstrādājumiem. Komerciālā transportēšanā, ko veic, piemēram, trešās puses, transporta uzņēmumi, jāievēro uz iesaiņojuma un marķējuma norādītās īpašās prasības. Lai izstrādājumu sagatavotu nosūtīšanai, jāsaazinās ar bīstamo materiālu speciālistu. Ievērojiet arī citus attiecināmos valsts normatīvus. Valējus kontaktus nosedziet ar līmlenti vai citādi pārklājiet, bet akumulatoru iesaiņojiet tā, lai sānīt tas nevarētu izkustēties.
11. Lai utilizētu akumulatora kasetni, izņemiet to no darbarīka un likvidējiet drošā vietā. Ievērojiet vietējos noteikumus par akumulatora likvidēšanu.
12. Izmantojiet šos akumulatorus tikai ar izstrādājumiem, kuru norādījis Makita. Ievietojot šos akumulatorus nesaderīgos izstrādājumos, var rasties ugunsgrēks, pārmērīgs karstums, tie var uzsprāgt vai no tiem var iztecoēt elektrolīts.
13. Ja darbarīks netiks lietots ilgu laiku, no tā jāizņem akumulators.

### SAGLABĀJIET ŠOS NORĀDĪJUMUS.

**⚠UZMANĪBU:** Lietojiet tikai oriģinālos Makita akumulatorus. Ja lietojat neoriģinālus Makita akumulatorus vai pārveidotus akumulatorus, tie var uzsprāgt un izraisīt aizdegšanos, traumas un materiālos zaudējumus. Tikš anulēta arī Makita darbarīka un lādētāja garantija.

## Ieteikumi akumulatora kalpošanas laika pagarināšanai

1. Uzlādējiet akumulatora kasetni, pirms tā ir pilnībā izlādējusies. Vienmēr, kad ievērojat, ka darbarīka darba jauda zudusi, apturiet darbarīku un uzlādējiet akumulatora kasetni.
2. Nekad neuzlādējiet pilnībā uzlādētu akumulatora kasetni. Pārmērīga uzlāde saīsina akumulatora kalpošanas laiku.
3. Uzlādējiet akumulatora kasetni istabas temperatūrā 10 °C - 40 °C. Karstai akumulatora kasetnei pirms uzlādes ļaujiet atdzist.
4. Uzlādējiet litija jonu akumulatora kasetni, ja to ilgstoši nelietosit (vairāk nekā sešus mēnešus).

## FUNKCIJU APRAKSTS

**⚠UZMANĪBU:** Pirms darbarīka regulēšanas vai tā darbības pārbaudes vienmēr pārliecinieties, ka darbarīks ir izslēgts un akumulatora kasetne ir izņemta.

## Akumulatora kasetnes uzstādīšana un izņemšana

**⚠UZMANĪBU:** Vienmēr pirms akumulatora kasetnes uzstādīšanas vai noņemšanas izslēdziet darbarīku.

**⚠UZMANĪBU:** Uzstādot vai izņemot akumulatora kasetni, darbarīku un akumulatora kasetni turiet cieši. Ja darbarīku un akumulatora kasetni netur cieši, tie var izkrist no rokām un radīt bojājumus darbarīkam un akumulatora kasetnei, kā arī izraisīt ievainojumus.

- **Att.1:** 1. Sarkanās krāsas indikators 2. Poga 3. Akumulatora kasetne

Lai izņemtu akumulatora kasetni, izvelciet to no darbarīka, pārbīdot kasetnes priekšpusē esošo pogu.

Lai uzstādītu akumulatora kasetni, salāgojiet mēlīti uz akumulatora kasetnes ar rievu ietvarā un iebīdi to vietā. Ievietojiet to līdz galam, līdz tā ar klikšķi nokļūst vietā. Ja pogas augšējā daļā redzams sarkanās krāsas indikators, tas nozīmē, ka tā nav pilnīgi fiksēta.

**⚠UZMANĪBU:** Vienmēr ievietojiet akumulatora kasetni tā, lai sarkanais indikators nebūtu redzams. Pretējā gadījumā tā var nejauši izkrist no darbarīka un izraisīt jums vai apkārtējiem traumas.

**⚠UZMANĪBU:** Neievietojiet akumulatora kasetni ar spēku. Ja kasetne neslīd ietvarā viegli, tā nav pareizi ielikta.

## Atlikušās akumulatora jaudas indikators

**Tikai akumulatora kasetnēm ar indikatoru**

- **Att.2:** 1. Indikatora lampas 2. Pārbaudes poga

Nospiediet akumulatora kasetnes pārbaudes pogu, lai pārbaudītu akumulatora atlikušo uzlādes līmeni. Indikatori iedegsies uz dažām sekundēm.

Indikatora lampas			Atlikusī jauda
Iededzies	Izslēgts	Mirgo	
			No 75% līdz 100%
			No 50% līdz 75%
			No 25% līdz 50%
			No 0% līdz 25%
			Uzlādējiet akumulatoru.
			Iespējama akumulatora kļūme.

**PIEZĪME:** Reālā jauda var nedaudz atšķirties no norādītās atkarībā no lietošanas apstākļiem un apkārtējās temperatūras.

## Atlikušās akumulatora enerģijas indikators

**Dažādām valstīm atšķiras**

- **Att.3:** 1. Akumulatora indikators

Nospiežot slēdža mēlīti, gaismas diožu displejā būs redzams atlikušais akumulatora enerģijas daudzums. Akumulatora atlikušās enerģijas daudzums redzams tālākajā tabulā.

Akumulatora indikatora stāvoklis			Atlikusī akumulatora jauda
Ieslēgts	Izslēgts	Mirgo	
			No 50% līdz 100%
			No 20% līdz 50%
			No 0% līdz 20%
			Akumulatora uzlāde

**PIEZĪME:** Ja gaismas diožu displejs nodzies, darbarīks izslēdzas, lai taupītu akumulatora jaudu. Lai pārbaudītu atlikušo akumulatora enerģijas daudzumu, viegli nospiediet slēdža mēlīti.

**PIEZĪME:** Gaismas diožu displejs izslēgsies aptuveni vienu minūti pēc slēdža mēlītes atlaišanas.

**PIEZĪME:** Ja gaismas diožu displejs deg nepārtraukti un darbarīks pārtrauc darboties pat ar uzlādētu akumulatora kasetni, pilnībā atziesējiet darbarīku. Ja statuss nemainās, nelietojiet darbarīku un nododiet to remontam vietējā Makita apkopes centrā.

## Darbarīka/akumulatora aizsardzības sistēma

Darbarīkam ir darbarīka/akumulatora aizsardzības sistēma. Šī sistēma automātiski izslēdz strāvas padevi motoram, lai pagarinātu darbarīka un akumulatora darbību. Lietošanas laikā darbarīks automātiski pārstās darboties, ja darbarīku vai akumulatoru pakļaus kādam no šādiem apstākļiem.

## Aizsardzība pret pārslodzi

Ja akumulatoru lieto tā, ka tas patērē pārmērīgi lielu strāvas daudzumu, darbarīks automātiski pārstāj darboties bez jebkādas norādes. Šādā gadījumā izslēdziet darbarīku un pārtrauciet darbību, kas izraisīja darbarīka pārslodzi. Tad ieslēdziet darbarīku, lai atsāktu darbu.

## Aizsardzība pret pārkaršanu

Ja darbarīks ir pārkaris, tas automātiski izslēdzas, un sāk mīļot lampu. Šādā gadījumā pirms atkārtotas darbarīka ieslēgšanas ļaujiet darbarīkam un akumulatoram atdzist.

## Aizsardzība pret akumulatora pārmērīgu izlādi

Ja akumulatora jaudas līmenis ir zems, darbarīks automātiski pārstāj darboties. Šajā gadījumā akumulatoru izņemiet no darbarīka un uzlādējiet.

## Āķis

**UZMANĪBU:** Nekad nekariniet darbarīku uz āķa lielā augstumā vai nestabilā vietā.

Āķis ir noderīgs, ja darbarīks īslaicīgi jāpakarina. Lai lietu āķi, paceliet to, līdz tas nofiksējas paredzētajā stāvoklī. Ja āķi nelietojat, vienmēr to nolaidiet, līdz tas nofiksējas aizvērtā stāvoklī.

Atvērta pozīcija

► Att.4: 1. Āķis

Aizvērta pozīcija

► Att.5: 1. Āķis

## Slēdža darbība

**BRĪDINĀJUMS:** Pirms akumulatora kasetnes uzstādīšanas darbarīkā vienmēr pārbaudiet, vai slēdža mēlīte darbojas pareizi un pēc atlaišanas atgriežas stāvoklī „OFF” (Izslēgts).

**BRĪDINĀJUMS:** NEKAD neizjauciet atbloķēšanas pogu, to neapmīļojiet un citādkā nepārvēidojiet. Slēdzis ar izjauktu atbloķēšanas pogu var izraisīt neparedzētu darbību un radīt smagas traumas.

**BRĪDINĀJUMS:** NEKAD nelietojiet darbarīku, ja tas ieslēdzas tikai pēc slēdža mēlītes pavilkšanas un nav jānospiež atbloķēšanas pogu. Slēdzis, ko nepieciešams labot, var izraisīt neparedzētu darbību un radīt nopietnus ievainojumus. PIRMS turpmākas ekspluatācijas nododiet darbarīku Makita apkopes centrā, lai to atbilstīgi saremontētu.

Lai novērstu nejausu slēdža mēlītes piespiešanu, darbarīks ir aprīkots ar bloķēšanas pogu. Lai ieslēgtu darbarīku, nospiediet bloķēšanas pogu un tad nospiediet slēdža mēlīti. Darbarīka ātrumu palielina, pastiprinot spiedienu uz slēdža mēlīti. Lai apturētu darbarīku, atlaidiet slēdža mēlīti.

► Att.6: 1. Bloķēšanas poga 2. Slēdža mēlīte

## Ātruma regulēšanas gredzens

► Att.7: 1. Ātruma regulēšanas gredzens

Griežot regulēšanas gredzenu, iespējams noregulēt jebkuru ātrumu robežās no 1,3 m/s līdz 3,2 m/s. Ātrums palielinās, griežot gredzenu cipara 6 virzienā, ātrums samazinās, griežot gredzenu cipara 1 virzienā. Izvēlieties apstrādājamajam materiālam piemērotu griešanas ātrumu.

**IEVĒRĪBAI:** Mainot ātrumu no „6” uz „1”, grieziet gredzenu pretēji pulksteņrādītāju kustības virzienam. Negrieziet gredzenu pulksteņrādītāju kustības virzienā ar spēku.

**IEVĒRĪBAI:** Griežot lielā ātrumā, plastmasas materiāli var sakust.

## Priekšējās lampas ieslēgšana

**UZMANĪBU:** Neskatieties gaismā, neļaujiet tās avotam iespīdēt acīs.

Nospiediet slēdža mēlīti, lai ieslēgtu lampu. Kamēr slēdža mēlīte ir nospiesta, lampa deg. Lampa izslēdzas apmēram 10 sekundes pēc slēdža mēlītes atlaišanas.

► Att.8: 1. Lampa

**PIEZĪME:** Sargiet lampu no triecieniem, jo tādējādi to var sabojāt vai saīsināt ekspluatācijas laiku.

**PIEZĪME:** Ar sausu lupatīņu notīriet netīrumus no lampas lēcas. Izvairieties saskrāpēt lampas lēcu, jo tādējādi tiek samazināts apgaismojums.

**PIEZĪME:** Ja darbarīks ir pārkaris, lampa vienu minūti mirgo un pēc tam izdzies. Šādā gadījumā pirms atkārtotas lietošanas atdesējiet darbarīku.

## MONTĀŽA

**UZMANĪBU:** Pirms darbarīka regulēšanas vai apkopes vienmēr pārliecinieties, ka darbarīks ir izslēgts un akumulatora kasetne ir izņemta.

## Lentzāga asmens uzstādīšana vai noņemšana

**UZMANĪBU:** Ja uz lentzāga asmens ir eļļa, asmens var noslidēt vai negaidīti nokrist. Pirms lentzāga asmens uzstādīšanas ar drānu noslaukiet visu lieko eļļu.

**UZMANĪBU:** Strādājot ar lentzāga asmeni, vienmēr lietojiet aizsargcimdus.

**UZMANĪBU:** Rīkojoties ar lentzāga asmeni, ievērojiet piesardzību, lai nesagrieztos ar asmens zobu asajām malām.

**UZMANĪBU:** Pārbaudot asmens kustību, neturiet lentzāgi ķermeņa tuvumā.

**UZMANĪBU:** Kad griežat asmens savilces sviru pulksteņrādītāju kustības virzienā, lai atspriegotu lentzāga asmeni, vērsiet darbarīku uz leju, jo lentzāga asmens var nejausi nokrist.

Lai uzstādītu lentzāga asmeni, veiciet norādītās darbības.

1. Pagrieziet asmens savilces sviru līdz galam pulksteņrādītāju kustības virzienā, lai atskrūvētu ripu.  
▶ **Att.9:** 1. Pievilkšana 2. Atskrūvēt vaļīgāk 3. Asmens pievilkšanas svira
2. Atveriet ripas pārsegu.  
▶ **Att.10:** 1. Ripas pārsegs 2. Āķis

**IEVĒRĪBAI:** Atverot ripas pārsegu, abus āķus atveriet un atlaidiet vienlaicīgi. Ja tiek atvērts tikai viens āķis, ripas pārsegā var rasties plaisa.

3. Saskaņojiet bultiņas virzienu uz lentzāga asmens ar bultiņas virzienu uz ripām.
4. Ievietojiet to lentzāga asmens pusi, kas nav robota, augšējā turētājā un apakšējā turētājā. Lentzāga asmenim augšējā un apakšējā turētājā ir jāpieskaras apakšējiem gultņiem.  
▶ **Att.11:** 1. Apakšējais turētājs 2. Augšējais turētājs 3. Apakšējais gultnis
5. Piespiežot lentzāga asmens vidējo daļu, novietojiet asmeni ap vienu ripu. To izdarīt vieglāk, ja ripu pavirza uz A pusi.  
▶ **Att.12:** 1. Ripa 2. Gumijas riepa
6. Tāpat novietojiet lentzāga asmeni uz otras ripas.
7. Novietojiet lentzāga asmens malu uz gumijas riepas.
8. Turiet lentzāga asmeni vietā un pagrieziet asmens savilces sviru līdz galam pretēji pulksteņrādītāju kustības virzienam. Tādējādi lentzāga asmenim būs pareizs nospiegojums.
9. Aizveriet ripas pārsegu.

**IEVĒRĪBAI:** Pārbaudiet, vai lentzāga asmens ir pareizi novietots ap ripām.

**IEVĒRĪBAI:** Divas vai trīs reizes iedarbiniet un apturiet darbarīku, lai pārbaudītu, vai lentzāga asmens uz ripām darbojas pareizi.

Lai noņemtu lentzāga asmeni, veiciet iepriekš aprakstīto uzstādīšanas procedūru apgrieztā secībā.

## Asmens trajektorijas pielāgošana

Ja šķiet, ka lentzāga asmens sāk izslīdēt no ripas, pielāgojiet asmens trajektoriju. Lai to pielāgotu, ievietojiet seššķautņu atslēgu regulēšanas atverē, kā redzams attēlā, un pagrieziet par vienu ceturtdaļu pulksteņrādītāju kustības virzienā. Pēc tam pārbaudiet, vai lentzāga asmens vairs neslīd no ripas. Ja tas joprojām slīd, pagrieziet vēl par ceturtdaļu un pārbaudiet, vai lentzāga asmens neslīd no ripas.  
▶ **Att.13:** 1. Sešstūru atslēga 2. Pielāgošanas atvere

## Aiztura plāksnes pozīcijas noregulēšana

Standarta darbības laikā izvīziet aiztura plāksni pilnībā uz āru uz A pusi.

Ja griezuma pabeigšanas brīdī aiztura plāksne saskaras šķērsli, piemēram, sienu vai līdzīgu objektu, atskrūvējiet vaļīgāk divas skrūves un pārbīdiet to uz B pusi, kā redzams attēlā. Pēc aiztura plāksnes pārbīdīšanas nostipriniet to, cieši pieskrūvējot abas skrūves.

- ▶ **Att.14:** 1. Aiztura plāksne 2. Skrūves 3. Lentzāga asmens

## Sānu roktura uzstādīšana (rokturis)

### Papildu piederumi

Stingri pieskrūvējiet sānu rokturi pie darbarīka, kā parādīts attēlā.

- ▶ **Att.15**

## EKSPLUATĀCIJA

**⚠UZMANĪBU:** Vienmēr ievietojiet akumulatoru kasetni līdz galam, līdz tā nofiksējas. Ja pogas augšējā daļā redzams sarkanas krāsas indikators, tas nozīmē, ka tā nav pilnīgi fiksēta. Iebīdiet to tā, lai sarkanais indikators nebūtu redzams. Pretējā gadījumā akumulators var nejauši izkrist no darbarīka un radīt jums vai apkārtējiem traumas.

**⚠UZMANĪBU:** Vienmēr satveriet rokturi. Nekad neturiet darbarīku aiz korpusa vai aizsargiem.

Rokas var noslīdēt no šīm vietām un radīt ievainojumus.

**⚠UZMANĪBU:** Gādājiet, lai ripas pārsegs būtu cieši aizvērts.

**⚠UZMANĪBU:** Ieslēdzot vai izslēdzot darbarīku, kā arī zāģēšanas laikā turiet darbarīku stingri. Citādi darbarīks var nokrist un radīt ievainojumus.

**⚠UZMANĪBU:** Zāģējot metālu, vienmēr valkājiet cimdus, lai aizsargātu rokas no karstām, atlecošām skaidām.

**⚠UZMANĪBU:** Turiet ķermeni un seju prom no lentzāga asmens un atlecošām skaidām.

Lai zāģējums būtu vienmērīgs, griezumā vienmēr jābūt vismaz diviem zāga zobiem.

- ▶ **Att.16**

Pielieciet lentzāga asmeni pie apstrādājamā materiāla zāģēšanai piemērotā pozīcijā, kā redzams attēlā.

- ▶ **Att.17**

1. Turiet darbarīku, kā parādīts.

Pirms darbarīka ieslēgšanas vienmēr pārbaudiet, vai aiztura plāksne saskaras ar apstrādājamo materiālu un vai lentzāga asmens nesaskaras ar apstrādājamo materiālu.

- ▶ **Att.18**

2. Tad ieslēdziet darbarīku un gaidiet, līdz lentzāga asmens sasniedz pilnu ātrumu. Uzmanīgi nolaidiet asmeni zāģēšanas vietā. Darbarīka svars vai neliels spiediens uz darbarīka nodrošinās pareizu zāģēšanas spiedienu. Nelietojiet darbarīku ar spēku.  
▶ **Att.19**

3. Kad materiāls ir teju pārzāģēts, pārstāji izdarīt spiedienu un nedaudz paceliet darbarīku, lai tas nenokristu uz apstrādājamā materiāla.

**IEVĒRĪBAI:** Pārāk cieši uzspiežot uz darbarīka vai liecot lentzāga asmeni, zāģējums būs slīps vai arī sabojāsi asmeni.

**IEVĒRĪBAI:** Ja darbarīks ilgāku laika posmu netiek ekspluatēts, noņemiet no lentzāga tā asmeni.

**IEVĒRĪBAI:** Ja darbarīks tiek darbināts nepārtraukti, līdz akumulatora kasetne ir izlādējusies, pirms turpināt darbu ar jaunu akumulatoru, izslēdziet darbarīku uz 15 minūtēm.

## Zāģēšanas smērviela

### Papildu piederumi

**⚠UZMANĪBU:** Nekad nelietojiet zāģēšanas eļļu vai neuzklājiet uz lentzāģa asmens pārāk daudz vaska. Rezultātā asmens var slīdēt vai negaidīti nokrist.

**⚠UZMANĪBU:** Zāģējot čugunu, nelietojiet zāģēšanas vasku.

Zāģējot metālus, par zāģēšanas smērvielu izmantojiet Makita zāģēšanas vasku. Lai lentzāģa asmens zobus iezustu ar zāģēšanas vasku, noņemiet zāģēšanas vaska vāciņu, iedarbiniet darbarīku un zāģējiet vaskā, kā redzams attēlā.

► **Att.20:** 1. Zāģēšanas vasks

## APKOPE

**⚠UZMANĪBU:** Pirms darbarīka pārbaudes vai apkopes vienmēr pārliecinieties, ka darbarīks ir izslēgts un akumulatora kasetne ir izņemta.

**IEVĒRĪBAI:** Nekad neizmantojiet gazolīnu, benzīnu, atšķaidītāju, spirtu vai līdzīgus šķidrumus. Tas var radīt izbalēšanu, deformāciju vai plaisas.

Lai saglabātu izstrādājuma DROŠU un UZTICAMU darbību, remontdarbus, apkopi un regulēšanu uzticiet veikt tikai Makita pilnvarotam vai rūpnīcas apkopes centram, un vienmēr izmantojiet tikai Makita rezerves daļas.

## Tīrīšana

**⚠UZMANĪBU:** Ja uz ripas gumijas riepiem būs vasks un skaidas, lentzāģa asmens var slīdēt vai negaidīti nokrist. Lai notīrītu vasku un skaidas no gumijas riepiem, lietojiet sausu drānu.

Pēc lietošanas no darbarīka, ripu gumijas riepiem un lentzāģa asmens notīriet vasku, skaidas un putekļus.

## Ripu gumijas riepu nomaiņa

Ja lentzāģa asmens slīd vai nevirzās pareizi nodilušu riepu dēļ, nomainiet gumijas riepas.

Uzticiet gumijas riepu nomaiņu veikt Makita pilnvarotā vai rūpnīcas servisa centrā.

## PAPILDU PIEDERUMI

**⚠UZMANĪBU:** Šādi piederumi un papildierīces tiek ieteiktas lietošanai ar šajā rokasgrāmatā aprakstīto Makita darbarīku. Izmantojot citus piederumus vai papildierīces, var tikt radīta traumu gūšanas bīstamība. Piederumu vai papildierīci izmantojiet tikai paredzētajam mērķim.

Ja jums vajadzīga palīdzība vai precīzāka informācija par šiem piederumiem, vērsieties savā tuvākajā Makita apkopes centrā.

- Makita oriģinālais akumulators un lādētājs
- Lentzāģa asmeņi
- Zāģēšanas vasks
- Rokturis 36

**PIEZĪME:** Daži sarakstā norādītie izstrādājumi var būt iekļauti instrumenta komplektācijā kā standarta piederumi. Tie dažādās valstīs var būt atšķirīgi.



## SPECIFIKACIJOS

Modelis:		DPB183
Maks. pjovimo pajėgumas	Apvalus ruošinys	66 mm skersmens
	Stačiakampis ruošinys	66 mm x 66 mm
Peilio greitis		0–3,2 m/s (0–190 m/min.)
Peilio dydis	Ilgis	835 mm
	Plotis	13 mm
	Storis	0,5 mm
Matmenys (I x P x A) (be disko dangtelio)		392 mm x 174 mm x 242 mm
Vardinė įtampa		Nuol. sr. 18 V
Grynasis svoris be disko dangtelio		3,6–3,9 kg

- Atliekame tęstinius tyrimus ir nuolatos tobuliname savo gaminius, todėl čia pateikiamos specifikacijos gali būti keičiamos be įspėjimo.
- Skirtingose šalyse specifikacijos gali skirtis.
- Svoris gali priklausyti nuo priedo (-ų), įskaitant akumuliatoriaus kasetę. Lengviausias ir sunkiausias deriniai pagal EPTA 2014 m. sausio mėn. procedūrą yra parodyti lentelėje.

## Tinkama akumuliatoriaus kasetė ir (arba) įkroviklis

Akumuliatoriaus kasetė	BL1815N / BL1820 / BL1820B / BL1830 / BL1830B / BL1840 / BL1840B / BL1850 / BL1850B / BL1860B
Įkroviklis	DC18RC / DC18RD / DC18RE / DC18SD / DC18SE / DC18SF / DC18SH

- Atsižvelgiant į gyvenamosios vietos regioną, kai kurios pirmiau nurodytos akumuliatoriaus kasetės ir įkrovikliai gali būti neprieinami.

**⚠️ ĮSPĖJIMAS:** Naudokite tik akumuliatoriaus kasetes ir įkroviklius, kurie nurodyti anksčiau. Naudojant bet kurias kitas akumuliatoriaus kasetes ir įkroviklius, gali kilti sužeidimo ir gaisro pavojus.

## Numatytoji naudojimo paskirtis

Šis įrankis skirtas plastmasei ir juodiesiems metalams pjauti.

## Triukšmas

Įprastas triukšmo A lygis, nustatytas pagal EN60745-2-20:

Garso slėgio lygis ( $L_{pA}$ ): 80 dB (A)

Paklaida (K): 3 dB (A)

Dirbant triukšmo lygis gali viršyti 80 dB (A).

**PASTABA:** Paskelbta (-os) triukšmo reikšmė (-ės) nustatyta (-os) pagal standartinį testavimo metodą ir jį galima naudoti vienam įrankiui palyginti su kitu.

**PASTABA:** Paskelbta (-os) triukšmo reikšmė (-ės) taip pat gali būti naudojama (-os) norint preliminariai įvertinti triukšmo poveikį.

**⚠️ ĮSPĖJIMAS:** Dėvėkite ausų apsaugą.

**⚠️ ĮSPĖJIMAS:** Faktiškai naudojant elektrinį įrankį, keliamo triukšmo dydis gali skirtis nuo paskelbtos (-ų) reikšmės (-ių), priklausomai nuo būdų, kuriais yra naudojamas šis įrankis, ir ypač nuo to, kokio tipo ruošinys apdirbamas.

**⚠️ ĮSPĖJIMAS:** Siekdami apsaugoti operatorių, būtina įvertinkite saugos priemones, remdamesi vibracijos poveikio įvertinimu esant faktinėms naudojimo sąlygoms (atsižvelgdami į visas darbo ciklo dalis, pavyzdžiui, ne tik kiek laiko įrankis veikia, bet ir kiek kartų jis yra išjungiamas bei kai jis veikia be apkravų).

## Vibracija

Vibracijos bendroji vertė (trიაšio vektorius suma) nustatyta pagal EN60745-2-20 standartą:

Darbo režimas: metalo pjovimas

Vibracijos emisija ( $a_{h,M}$ ): 2,5 m/s<sup>2</sup> arba mažiau

Paklaida (K): 1,5 m/s<sup>2</sup>

**PASTABA:** Paskelbta (-os) vibracijos bendroji (-osios) reikšmė (-ės) nustatyta (-os) pagal standartinį testavimo metodą ir jį galima naudoti vienam įrankiui palyginti su kitu.

**PASTABA:** Paskelbta (-os) vibracijos bendroji (-osios) reikšmė (-ės) taip pat gali būti naudojama (-os) norint preliminariai įvertinti vibracijos poveikį.

**⚠️ ĮSPĖJIMAS:** Faktiškai naudojant elektrinį įrankį, keliamos vibracijos dydis gali skirtis nuo paskelbtos (-ų) reikšmės (-ių), priklausomai nuo būdų, kuriais yra naudojamas šis įrankis, ir ypač nuo to, kokio tipo ruošinys apdirbamas.

**⚠️ ĮSPĖJIMAS:** Siekdami apsaugoti operatorių, būtina įvertinkite saugos priemonės, remdami vibracijos poveikio įvertinimu esant faktinėms naudojimo sąlygoms (atsižvelgdami į visas darbo ciklo dalis, pavyzdžiui, ne tik kiek laiko įrankis veikia, bet ir kiek kartų jis yra išjungiamas bei kai jis veikia be apkravų).

## EB atitikties deklaracija

### Tik Europos šalims

EB atitikties deklaracija yra pridėdama kaip šio instrukcijų vadovo A priedas.

## SAUGOS ĮSPĖJIMAI

### Bendrieji įspėjimai dirbant elektriniais įrankiais

**⚠️ ĮSPĖJIMAS:** Perskaitykite visus saugos įspėjimus, instrukcijas, iliustracijas ir techninius duomenis, pateiktus kartu su šiuo elektriniu įrankiu. Nesilaikant visų toliau išvardytų instrukcijų galima patirti elektros smūgį, gali kilti gaisras ir (arba) galima sunkiai susižaloti.

## Išsaugokite visus įspėjimus ir instrukcijas, kad galėtumėte jas peržiūrėti ateityje.

Terminas „elektrinis įrankis“ pateiktuose įspėjimuose reiškia į maitinimo tinklą jungiamą (laidinį) elektrinį įrankį arba akumuliatoriaus maitinamą (belaidį) elektrinį įrankį.

### Įspėjimai dėl akumuliatorinio nešiojamojo juostinio pjūklo be jungiamųjų laidų saugos

1. **Atlikdami darbus, kurių metu pjovimo antgalis gali paliesti paslėptus laidus, laikykite elektrinį įrankį tik už izoliuotų, laikyti skirtų paviršių.** Pjovimo antgaliais prisilietus prie laido, kuriuo teka elektros srovė, neizoliuotos metalinės elektrinio įrankio dalys gali sukelti elektros smūgį ir nutrenkti operatorių.
2. **Naudokite tik „TECHNINĖSE SĄLYGOSE“ nurodytus peilius.**
3. **Prieš naudodami, patikrinkite, ar peilis nėra įtrūkęs arba pažeistas.** Nedelsdami pakeiskite įtrūkusį arba apgadintą peilį.
4. **Tvirtai pritvirtinkite ruošinį.** Pjaudami ruošinių ryšulį, prieš pjaudami būtina tvirtai suriškite visus ruošinius.
5. **Pjaunant alyva pateptus ruošinius, peilis gali netikėtai nutrūkti.** Prieš pjaudami, nušluostykite nuo ruošinių alyvos perteklių.
6. **Nenaudokite pjovimo alyvos kaip pjovimo tepalo.** Naudokite tik „Makita“ pjovimo dervą.
7. **Tvirtai laikykite įrankį.**

8. **Laikykite rankas toliau nuo sukamųjų dalių.**
9. **Pjaudami metalą, saugokitės skriejančių įkaitusių skeveldrų.**
10. **Nepalikite veikiančio įrankio be priežiūros.**
11. **Nelieskite peilio arba ruošinio iškart po naudojimo; jie gali būti itin karšti ir nudeginti odą.**

### Svarbios saugos instrukcijos, taikomos akumuliatoriaus kasetei

1. **Prieš naudodami akumuliatoriaus kasetę, perskaitykite visas instrukcijas ir perspėjimus ant (1) akumuliatorių įkroviklio, (2) akumuliatorių ir (3) akumuliatorių naudojančio gaminio.**
  2. **Neardykite akumuliatoriaus kasetės.**
  3. **Jeį įrankio darbo laikas žymiai sutrumpėjo, nedelsdami nutraukite darbą su įrankiu.** Tai gali kelti perkaitimo, nudegimų ar net sprogdimo pavojų.
  4. **Jeį elektrolitas pateko į akis, plaukite jas tyru vandeniu ir nedelsdami kreipkitės į gydytoją.** Gali kilti regėjimo praradimo pavojus.
  5. **Neužtrumpinkite akumuliatoriaus kasetės:**
    - (1) **Nelieskite kontaktų degiomis medžiagomis.**
    - (2) **Venkite laikyti akumuliatoriaus kasetę kartu su kitais metaliniais daiktais, pavyzdžiui, vinimis, monetomis ir pan.**
    - (3) **Saugokite akumuliatoriaus kasetę nuo vandens ir lietaus.**
- Trumpasis jungimas akumuliatoriuje gali sukelti stiprią srovę, perkaitimą, galimus nudegimus ar net akumuliatoriaus gedimą.**
6. **Nelaikykite įrankio ir akumuliatoriaus kasetės vietoje, kur temperatūra gali pasiekti ar viršyti 50 °C.**
  7. **Nedeginkite akumuliatoriaus kasetės, net jei yra stipriai pažeista ar visiškai susidėvėjusi.** Ugnyje akumuliatoriaus kasetė gali sprogti.
  8. **Saugokite akumuliatorių nuo kritimo ir smūgių.**
  9. **Nenaudokite pažeisto akumuliatoriaus.**
  10. **Įdėdamos ličio jonų akumuliatorių taikomi Pavojingų prekių teisės akto reikalavimai.** Komercinis transportas, pvz., trečiųjų šalių, prekių vežimo atstovų, turi laikytis specialaus reikalavimo ant pakuočių ir ženklavimo.  
Norėdami paruošti siūstiną prekę, pasitarkite su pavojingų medžiagų specialistu. Be to, laikykitės galimai išsamesnių nacionalinių reglamentų. Užklijuokite juosta arba padenkite atvirus kontaktus ir supakuokite akumuliatorių taip, kad jį pakuoči nejudėtų.
  11. **Kai išmetate akumuliatoriaus kasetę, išimkite ją iš įrankio ir išmeskite saugioje vietoje.** Vadovaukitės vietos reglamentais dėl akumuliatorių išmetimo.
  12. **Baterijas naudokite tik su „Makita“ nurodytais gaminiais.** Baterijas įdėjus į netinkamus gaminius gali kilti gaisras, gaminyje nerūgščiame kaisti, kilti sprogimas arba pratekėti elektrolitas.
  13. **Jeį įrankis bus ilgą laiką nenaudojamas, akumuliatorių būtina išimti iš įrankio.**

## SAUGOKITE ŠIAS INSTRUKCIJAS.

**▲PERSPĖJIMAS:** Naudokite tik originalų „Makita“ akumuliatorių. Neoriginalaus „Makita“ arba pakeisto akumuliatoriaus naudojimas gali nulemti gaisrą, asmens sužalojimą ir pažeidimą. Tai taip pat panaikina „Makita“ suteikiamą „Makita“ įrankio ir įkroviklio garantiją.

## Patarimai, ką daryti, kad akumuliatorius veiktų kuo ilgiau

1. Pakraukite akumuliatoriaus kasetę prieš jai visiškai išsikraunant. Visuomet nustokite naudoti įrankį ir pakraukite akumuliatoriaus kasetę, kai pastebite, kad įrankio galia sumažėjo.
2. Niekada nekraukite iki galo įkrautos akumuliatoriaus kasetės. Perkraunant trumpėja akumuliatoriaus eksploatacijos laikas.
3. Akumuliatoriaus kasetę kraukite esant kambario temperatūrai 10 - 40 °C. Prieš pradėdami krauti, leiskite įkaitusiai akumuliatoriaus kasetei atvėsti.
4. Įkraukite akumuliatoriaus kasetę, jei jos nenaudojate ilgą laiką (ilgiau nei šešis mėnesius).

## VEIKIMO APRAŠYMAS

**▲PERSPĖJIMAS:** Prieš pradėdami reguliuoti arba tikrinti įrankio veikimą, visuomet būtinai išjunkite įrankį ir išimkite akumuliatoriaus kasetę.

## Akumuliatoriaus kasetės uždėjimas ir nuėmimas

**▲PERSPĖJIMAS:** Prieš įdėdami arba išimdami akumuliatoriaus kasetę, visada išjunkite įrankį.

**▲PERSPĖJIMAS:** Įdėdami arba išimdami akumuliatoriaus kasetę, tvirtai laikykite įrankį ir akumuliatoriaus kasetę. Jeigu įrankį ir akumuliatoriaus kasetę laikysite netvirtai, jie gali išslysti iš jūsų rankų, todėl įrankis ir akumuliatoriaus kasetė gali būti sugadinti, o naudotojas sužalotas.

- **Pav.1:** 1. Raudonas indikatorius 2. Mygtukas  
3. Akumuliatoriaus kasetė

Jei norite išimti akumuliatoriaus kasetę, ištraukite ją iš įrankio, stumdami mygtuką, esantį kasetės priekyje.

Jei norite įdėti akumuliatoriaus kasetę, sulygiuokite liežuvėlį ant akumuliatoriaus kasetės su grioveliu korpuso ir įstumkite į jai skirtą vietą. Įdėkite iki galo, kol spragtelėdama užsifiksuos. Jeigu matote raudoną indikatorių viršutinėje mygtuko pusėje, ji nėra visiškai užfiksuota.

**▲PERSPĖJIMAS:** Akumuliatoriaus kasetę visada įkiškite iki galo, kol nebematysite raudono indikatoriaus. Priešingu atveju ji gali atsitiktinai iškristi iš įrankio, sužeisti jus arba aplinkinius.

**▲PERSPĖJIMAS:** Nekiškite akumuliatoriaus kasetės jėga. Jeigu kasetė sunkiai lenda, ją kišate netinkamai.

## Likusios akumuliatoriaus galios rodymas

**Tik akumuliatoriaus kasetėms su indikatoriumi**

- **Pav.2:** 1. Indikatorių lemputės 2. Tikrinimo mygtukas

Paspauskite akumuliatoriaus kasetės tikrinimo mygtuką, kad būtų rodoma likusi akumuliatoriaus energija. Maždaug trims sekundėms užsidegs indikatorių lemputės.

Indikatorių lemputės			Likusi galia
Šviečia	Nešviečia	Blykysi	
■ ■ ■ ■			75 - 100 %
■ ■ ■ □			50 - 75 %
■ ■ □ □			25 - 50 %
■ □ □ □			0 - 25 %
▬ □ □ □			Įkraukite akumuliatorių.
■ ■ □ □			Galimai įvyko akumuliatoriaus veikimo triktis.
□ □ ■ ■			

**PASTABA:** Rodmuo gali šiek tiek skirtis nuo faktinės energijos lygio – tai priklauso nuo naudojimo sąlygų ir aplinkos temperatūros.

## Rodoma likusi akumuliatoriaus talpa

**Priklausomai nuo šalies**

- **Pav.3:** 1. Akumuliatoriaus indikatorius

Paspaudus gaiduką, šviesiodininis ekranas rodo likusią akumuliatoriaus talpą. Likusi akumuliatoriaus talpa yra pateikiama kaip šioje lentelėje.

Akumuliatoriaus indikatoriaus būseną			Likusi akumuliatorių galia
Šviečia	Nešviečia	Blykysi	
	■ ■ ■ ▬		50–100 %
	■ ■ □ ▬		20–50 %
	■ □ □ ▬		0–20 %
	▬ □ □ ▬		Įkraukite akumuliatorių

**PASTABA:** Kai užgęsta šviesiodininis ekranas, įrankis yra išjungtas akumuliatoriaus energijai taupyti. Norėdami patikrinti likusią akumuliatoriaus talpą, šiek tiek paspauskite gaiduką.

**PASTABA:** Atleidus gaiduką, šviesiodininis ekranas išsijungia po maždaug vienos minutės.

**PASTABA:** Įsižiebus šviesiodiniam ekranui, o įrankiui sustojus net ir naudojant įkrautą akumuliatoriaus kasetę, visiškai atvėsinkite įrankį. Jei būseną nesikeičia, baikite naudotis įrankiu ir pasirūpinkite, kad jis būtų suremontuotas „Makita“ vietiniame techninės priežiūros centre.

## Įrankio / akumulatoriaus apsaugos sistema

Įrankyje įrengta įrankio / akumulatoriaus apsaugos sistema. Ši sistema automatiškai atjungia variklio maitinimą, kad įrankis ir akumulatorius ilgiau veiktų. Įrankis automatiškai išsijungs darbo metu esant vienai iš toliau nurodytų įrankio arba akumulatoriaus darbo sąlygų:

### Apsauga nuo perkrovos

Akumuliatorių naudojant taip, kad susidaro neįprastai aukšta srovė, nepateikiant jokios indikacijos, įrankis automatiškai sustabdomas. Tokiu atveju išjunkite įrankį ir nutraukite darbą, dėl kurio įrankis buvo perkrautas. Tada įjunkite įrankį, kad jis būtų paleistas iš naujo.

### Apsauga nuo perkaitimo

Kai įrankis perkaista, jis automatiškai išsijungia, pradeda mirksėti lemputė. Tokiu atveju, prieš vėl jungdami įrankį, leiskite įrankiui ir akumuliatoriui atvėsti.

### Apsauga nuo visiško išekvojimo

Kai akumulatoriaus įkrovos lygis nepakankamas, įrankis automatiškai išsijungia. Tokiu atveju ištraukite akumuliatorių iš įrankio ir įkraukite jį.

## Kablys

**▲ PERSPĖJIMAS:** Niekada nekabinkite įrankio labai aukštai arba ant nestabiliaus paviršiaus.

Kablys leidžia patogiai laikinai pakabinti įrankį. Norėdami naudoti kablį, paprasčiausiai pakelkite, kol jis užsifiksuos į atidarytą padėtį. Kai nenaudojate, visada nuleiskite kablį, kol jis užsifiksuos į uždarytą padėtį.

#### Atvira padėtis

► Pav.4: 1. Kablys

#### Uždara padėtis

► Pav.5: 1. Kablys

## Jungiklio veikimas

**▲ PERSPĖJIMAS:** Prieš montuodami akumulatoriaus kasetę įrankyje, visuomet patikrinkite, ar gaidukas tinkamai veikia ir atleistas grįžta į išjungimo padėtį „OFF“.

**▲ PERSPĖJIMAS:** NIEKADA neužkilniokite atlaisvinimo mygtuko lipnia juostele ir nepanaikinkite jo funkcijos kitomis priemonėmis. Jungiklis su užblokuotu atlaisvinimo mygtuku gali netyčia įjungti įrankį ir operatorius gali būti sunkiai sužeistas.

**▲ PERSPĖJIMAS:** NIEKADA nenaudokite įrankio, jei jis veikia nuspaudus tik gaiduką, tačiau nenuspaudus atlaisvinimo mygtuko. Jungiklis, kurį reikia taisyti, gali netyčia įjungti įrankį ir operatorius gali būti sunkiai sužeistas. PRIEŠ pradėdami vėl naudoti įrankį, atiduokite jį suremontuoti į „Makita“ techninės priežiūros centrą.

Atlaisvinimo mygtukas neleidžia atsitiktinai paspausti gaiduko. Jei norite įjungti įrankį, paspauskite atlaisvinimo mygtuką ir gaiduką.

Stipriau spaudžiant gaiduką, įrankio veikimo greitis didėja. Norėdami sustabdyti, gaiduką atleiskite.

► Pav.6: 1. Atlaisvinimo mygtukas 2. Gaidukas

## Greičio reguliavimo ratukas

► Pav.7: 1. Greičio reguliavimo ratukas

Sukant reguliavimo diską, įrankio greitį galima reguliuoti nuo 1,3 iki 3,2 m/s. Sukant ratuką skaičiaus 6 link, greitis didinamas; greitis mažinamas, kai ratukas sukamas skaičiaus 1 link. Pasirinkite tinkamą greitį ruošiniui pjauti.

**PASTABA:** Keisdami greitį nuo 6 iki 1, sukite ratuką prieš laikrodžio rodyklę. Nesukite rankenėlės pagal laikrodžio rodyklę per jėgą.

**PASTABA:** Pjaunant dideliu greičiu plastikas gali išsilydyti.

## Priekinės lemputės uždegimas

**▲ PERSPĖJIMAS:** Nežiūrėkite tiesiai į šviesą arba šviesos šaltinį.

Lemputę uždegsite patraukę gaiduką. Lemputė švies toli, kol trauksite gaiduką. Atleidus jungiklio gaiduką, lemputė užgesa maždaug po 10 sekundžių.

► Pav.8: 1. Lemputė

**PASTABA:** Nespauskite ir netrankykite lemputės, nes galite ją sugadinti arba sutrumpinti jos naudojimo laiką.

**PASTABA:** Purvą nuo lempos objektyvo nuvalykite sausu skudurėliu. Būkite atsargūs, kad nesubraižytumėte lempos objektyvo, nes pablogės apšvietimas.

**PASTABA:** Kai įrankis perkaista, vieną minutę mirksi lemputė, tada užgesa. Tokiu atveju palaukite, kol įrankis atvės, kad galėtumėte vėl tęsti darbą.

## SURINKIMAS

**▲ PERSPĖJIMAS:** Prieš darydami ką nors įrankiu visada patikrinkite, ar įrenginys išjungtas, o akumuliatorių kasetė – nuimta.

## Juostinio pjūklų disko montavimas arba nuėmimas

**▲ PERSPĖJIMAS:** Ant juostinio pjūklų disko esanti alyva gali sukelti disko praslydimą arba jis gali netikėtai nutrūkti. Prieš montuodami juostinio pjūklų diską, šluoste nuvalykite bet kokį alyvos perteklių.

**▲ PERSPĖJIMAS:** Dirbdami su juostinio pjūklų disku, visada mūvėkite apsaugines pirštines.

**▲ PERSPĖJIMAS:** Būkite atsargūs tvarkydami juostinio pjūklų diską kad neįsijautumėte į aštrius disko dantų kraštus.

**▲ PERSPĖJIMAS:** Tikrindami, ar tinkamai juda diskas, stovėkite atokiai nuo juostinio pjūklų disko judėjimo vietos.

**▲ PERSPĖJIMAS:** Sukdami disko įtempimo svirtį pagal laikrodžio rodyklę, kad sumažintumėte juostinio pjūklų disko įtempimą, nukreipkite įrankį žemyn, nes juostinio pjūklų diskas gali netikėtai nutrūkti.

Norėdami uždėti juostinio pjūklo diską:

1. Sukite disko įtempimo svirtį pagal laikrodžio rodyklę, kol ratukas bus visiškai atlaisvintas.  
▶ **Pav.9:** 1. Priveržti 2. Atlaisvinti 3. Disko priveržimo svirtelė
2. Atidarykite ratuko dangtelį.  
▶ **Pav.10:** 1. Ratuko dangtelis 2. Kablys

**PASTABA:** Atidarydami ratuko dangtelį, vienu metu atidarykite ir atlaisvinkite abu kablius. Atlaisvintus tik vieną kablį, ratuko dangtelis gali sutrūkti.

3. Suderinkite ant juostinio pjūklo disko esančių rodyklių kryptį su ant ratukų esančiomis rodyklėmis.
4. Įkiškite nedantytą juostinio pjūklo disko pusę į viršutinį ir apatinį laikiklius. Juostinio pjūklo diskas viršutiniame ir apatiniame laikikliuose būtina turi liesti apatinius guolius.  
▶ **Pav.11:** 1. Apatinis laikiklis 2. Viršutinis laikiklis 3. Apatinis guolis
5. Nuspaudę juostinio pjūklo vidurinę dalį, uždėkite diską aplink ratuką. Tai lengviau padaryti patraukus ratuką į „A“ pusę.  
▶ **Pav.12:** 1. Ratukas 2. Guminis ratlankis
6. Tokiu pat būdu uždėkite juostinio pjūklo diską ant kito ratuko.
7. Juostinio pjūklo disko padėtis ant guminio ratlankio.
8. Prilaukite juostinio pjūklo diską ir sukite disko įtempimo svirtį prieš laikrodžio rodyklę tol, kol ji nebesisuks. Taip užtikrinamas tinkamas juostinio pjūklo disko įtempimas.
9. Uždarykite ratuko dangtelį.

**PASTABA:** Patikrinkite, ar juostinio pjūklo diskas tinkamai uždėtas ant ratukų.

**PASTABA:** Paleiskite ir sustabdykite įrankį du ar tris kartus, kad įsitikintumėte, ar juostinio pjūklo diskas tinkamai sukasi ant ratukų.

Norėdami nuimti juostinio pjūklo diską, atlikite įdėjimo veiksmus atvirkščia eilės tvarka.

## Disko sukimosi reguliavimas

Kai juostinio pjūklo diskas vis išslysta iš ratuko, pareguliuokite disko sukimąsi.

Norėdami reguliuoti, įkiškite šešiakampį raktą į reguliavimo angą, kaip parodyta paveikslėlyje, ir pasukite ketvirtį pasukimo pagal laikrodžio rodyklę. Po to patikrinkite, ar juostinio pjūklo diskas neišslysta. Jeigu jis vis tiek išslysta, dar kartą pasukite ketvirtį pasukimo ir tikrinkite, kol juostinio pjūklo diskas neišslysta.  
▶ **Pav.13:** 1. Šešiakampis raktas 2. Reguliavimo anga

## Fiksatoriaus plokštelės padėties reguliavimas

Įprasto darbo metu iki gali iškiškite fiksatoriaus plokštelę į „A“ pusę.

Kai pjovimo pabaigoje fiksatoriaus plokštelė susiduria su kliūtimis, pvz., siena ar panašiai, atsukite du varžtus ir paslinkite ją į „B“ padėtį, kaip parodyta piešinyje. Paslinkę fiksatoriaus plokštelę, tvirtai priveržkite ją dviem varžtais.

▶ **Pav.14:** 1. Stabdiklio plokštė 2. Varžtai 3. Juostinio pjūklo diskas

## Šoninės rankenos montavimas

### Pasirenkamas priedas

Patikimai prisukite šoninę rankeną jai skirtoje vietoje ant įrankio, kaip parodyta paveikslėlyje.

▶ **Pav.15**

## NAUDOJIMAS

**▲ PERSPĖJIMAS:** Visuomet iki galo įkiškite akumulatoriaus kasetę, kad tinkamai užsifiksuotų. Jeigu matote raudoną indikatorių viršutinėje mygtuko pusėje, ji nėra visiškai užfiksuota. Įstumkite ją iki galo tol, kol nebe-matysite raudono indikatoriaus. Priešingu atveju ji gali atsitiktinai iškristi iš įrankio, sužeisti jus arba aplinkinius.

**▲ PERSPĖJIMAS:** Visada laikykite už rankenos. Niekada nelaikykite už įrankio korpuso arba apsauginių gaubtų. Rankos gali nuslysti nuo šių vietų ir paliesti juostinio pjūklo diską. Taip galite susižaloti.

**▲ PERSPĖJIMAS:** Patikrinkite, ar ratuko dangtelis yra patikimai uždarytas.

**▲ PERSPĖJIMAS:** Įjungdami ar išjungdami įrankį, taip pat pjaudami, būtina tvirtai laikykite įrankį. Priešingu atveju įrankis gali nukristi ir sužaloti.

**▲ PERSPĖJIMAS:** Pjaudami metalą, visada dėvėkite pirštines, apsaugančias nuo lekiančių karštų drožlių.

**▲ PERSPĖJIMAS:** Saugokite kūną ir veidą nuo juostinio pjūklo disko ir skrendančių drožlių.

Norint pjauti stabiliai, pjūvyje būtina turi būti bent du dantys.

▶ **Pav.16**

Juostinio pjūklo diską nustatykite į tinkamą pjovimo padėtį ant ruošinio, kaip parodyta paveikslėlyje.

▶ **Pav.17**

1. Laikykite įrankį kaip parodyta.

Prieš įjungiant įrankį, visada būtina užtikrinti, kad stabdiklio plokštelė liestų ruošinį, o juostinio pjūklo diskas – nelieštų.

▶ **Pav.18**

2. Įjunkite įrankį ir palaukite, kol juostinio pjūklo diskas pradės sukis visu greičiu. Atsargiai nuleiskite diską į pjovą. Paties įrankio svoriu arba lengvai spaudžiant įrankį nustatomas atitinkamas pjovimui spaudimas. Nespauskite įrankio jėga.

▶ **Pav.19**

3. Baigdami pjauti, sumažinkite spaudimą ir truputį kilstelėkite įrankį, kad jis nenukristų nuo ruošinio.

**PASTABA:** Per daug spausdami įrankį arba sukdami juostinio pjūklo diską, galite nupjauti nuožulniai arba sugadinti diską.

**PASTABA:** Jeigu nenaudojate įrankio ilgą laiką, nuimkite nuo jo juostinio pjūklo diską.

**PASTABA:** Jei įrankis naudojamas tol, kol akumulatoriaus kasetė išsikrauna, leiskite įrankiui pastovėti 15 minučių prieš tęsdami su kitu akumulatoriumi.

## Pjovimui skirta alyva

### Pasirenkamas priedas

**▲PERSPĖJIMAS:** Niekada nenaudokite pjovimui skirtos alyvos arba juostinio pjūklo diskui nenaudokite per daug dervos. Dėl to diskas gali prasisukti arba netikėtai nutrūkti.

**▲PERSPĖJIMAS:** Pjaudami ketų, visai nenaudokite pjovimo dervos.

Pjaudami metalus, vietoj pjovimo alyvos naudokite „Makita“ pjovimo dervą. Norėdami patepti juostinio pjūklo disko dantis pjovimo derva, nuimkite pjovimo dervos dangtelį, įjunkite įrankį, įpjaukite disku pjovimo dervą, kaip pavaizduota paveikslėlyje.

► **Pav.20:** 1. Pjovimo derva

## TECHNINĖ PRIEŽIŪRA

**▲PERSPĖJIMAS:** Visuomet įsitikinkite, ar įrankis yra išjungtas ir akumulatoriaus kasetė yra nuimta prieš atlikdami apžiūrą ir priežiūrą.

**PASTABA:** Niekada nenaudokite gazolino, benzino, tirpiklio, spirito arba panašių medžiagų. Gali atsirasti išblukimų, deformacijų arba įtrūkimų.

Kad gaminys būtų SAUGUS ir PATIKIMAS, jį taisyti, apžiūrėti ar vykdyti bet kokią kitą priežiūrą ar derinimą turi įgaliotasis kompanijos „Makita“ techninės priežiūros centras; reikia naudoti tik kompanijos „Makita“ pagamintas atsargines dalis.

## Valymas

**▲PERSPĖJIMAS:** Ant guminių ratlankių likusi derva ir atplaišos gali sukelti juostinio pjūklo disko praslydimą arba netikėtą nutrūkimą. Dervą ir atplaišas nuo guminių ratlankių nuvalykite sausa šluoste.

Po naudojimo nuvalykite nuo įrankio, guminių ratlankių ir juostinio pjūklo disko dervą ir dulkes.

## Guminių ratlankių keitimas ant ratukų

Pakeiskite guminius ratlankius, kai juostinio pjūklo diskas prasisuka arba dėl labai nusidėvėjusių ratlankių yra netinkamai sukamas.

Norėdami pakeisti guminį ratlankį, kreipkitės į „Makita“ įgaliotąjį arba gamyklos aptarnavimo centrą.

## PASIRENKAMI PRIEDAI

**▲PERSPĖJIMAS:** Šiuos papildomus priedus arba įtaisus rekomenduojama naudoti su šioje instrukcijoje nurodytu „Makita“ bendrovės įrankiu. Naudojant bet kokius kitus papildomus priedus arba įtaisus, gali kilti pavojus sužeisti žmones. Naudokite tik nurodytam tikslui skirtus papildomus priedus arba įtaisus.

Jeigu norite daugiau sužinoti apie tuos priedus, kreipkitės į artimiausią „Makita“ techninės priežiūros centrą.

- Originalus „Makita“ akumulatorius ir įkroviklis
- Juostinio pjūklo diskai
- Pjovimo derva
- Rankena 36

**PASTABA:** Kai kurie sąraše esantys priedai gali būti pateikti įrankio pakuotėje kaip standartiniai priedai. Jie įvairiose šalyse gali skirtis.

## TEHNILISED ANDMED

Mudel:		DPB183
Max löikevõimsus	Ümmargune töödeldav detail	66 mm diameeter.
	Ristkülikukujuline töödeldav detail	66 mm × 66 mm
Lõiketera kiirus		0 - 3,2 m/s (0 - 190 m/min)
Lõiketera suurus	Pikkus	835 mm
	Laius	13 mm
	Paksus	0,5 mm
Mootmed (P × L × K) ilma rattakatteta		392 mm × 174 mm × 242 mm
Nimipinge		Alalisvool 18 V
Netokaal ilma rattakatteta		3,6 - 3,9 kg

- Meie pideva uuringu- ja arendusprogrammi tõttu võidakse tehnilisi andmeid muuta ilma sellest ette teatamata.
- Tehnilised andmed võivad riigiti erineda.
- Kaal võib erineda olenevalt lisaseadistest, kaasa arvatud akukassetist. Kergeim ja raskeim kombinatsioon EPTA-protseeduuri 01/2014 kohaselt on toodud tabelis.

## Sobiv akukassett ja laadija

Akukassett	BL1815N / BL1820 / BL1820B / BL1830 / BL1830B / BL1840 / BL1840B / BL1850 / BL1850B / BL1860B
Laadija	DC18RC / DC18RD / DC18RE / DC18SD / DC18SE / DC18SF / DC18SH

- Mõned eespool loetletud akukassetid ja -laadijad ei pruugi olla teie riigis saadaval.

**⚠ HOIATUS:** Kasutage ainult ülalpool loetletud akukassette ja laadijaid. Muude akukassetide ja laadijate kasutamine võib tekitada vigastusi ja/või tulekahju.

## Kavandatud kasutus

Tööriist on ette nähtud plasti ja rauasulamite lõikamiseks.

## Müra

Tüüpiline A-korrigeeritud müratase, määratud standardi EN60745-2-20 kohaselt:

Helirõhutase ( $L_{pA}$ ): 80 dB (A)

Määramatus (K): 3 dB (A)

Töötamisel võib müratase ületada 80 dB (A).

**MÄRKUS:** Deklareeritud müra väärtust (väärtuseid) on mõõdetud kooskõlas standardse katsemeetodiga ning seda võib kasutada ühe seadme võrdlemiseks teisega.

**MÄRKUS:** Deklareeritud müra väärtust (väärtuseid) võib kasutada ka mürataseme esmaseks hindamiseks.

**⚠ HOIATUS:** Kasutage kõrvakaitsmeid.

**⚠ HOIATUS:** Müratase võib elektritööriista tegelikkuses kasutamise ajal erineda deklareeritud väärtus(t)est olenevalt tööriista kasutusviisidest ja eriti töödeldavast toorikust.

**⚠ HOIATUS:** Rakendage operaatori kaitsmiseks kindlasti piisavaid ohutusabinõusid, mis põhinevad hinnangulisel müratasemel tegelikus tööolukorras (võttes arvesse tööperioodi kõiki osasid, näiteks korrad, kui seade lülitatakse välja ja seade töötab tühikäigul, lisaks tööajale).

## Vibratsioon

Vibratsiooni koguväärtus (kolmeteljeliste vektorite summa) määratud standardi EN60745-2-20 kohaselt:

Töörežiim: metalli lõikamine

Vibratsiooniheide ( $a_{h,M}$ ): 2,5 m/s<sup>2</sup> või vähem

Määramatus (K): 1,5 m/s<sup>2</sup>

**MÄRKUS:** Deklareeritud vibratsiooni koguväärtust (-väärtuseid) on mõõdetud kooskõlas standardse katsemeetodiga ning seda võib kasutada ühe seadme võrdlemiseks teisega.

**MÄRKUS:** Deklareeritud vibratsiooni koguväärtust (-väärtuseid) võib kasutada ka mürataseme esmaseks hindamiseks.

**⚠ HOIATUS:** Vibratsioonitase võib elektritööriista tegelikkuses kasutamise ajal erineda deklareeritud väärtus(t)est olenevalt tööriista kasutusviisidest ja eriti töödeldavast toorikust.

**⚠ HOIATUS:** Rakendage operaatori kaitsmiseks kindlasti piisavaid ohutusabinõusid, mis põhinevad hinnangulisel müratasemel tegelikus tööolukorras (võttes arvesse tööperioodi kõiki osasid, näiteks korrad, kui seade lülitatakse välja ja seade töötab tühikäigul, lisaks tööajale).

## EÜ vastavusdeklaratsioon

### Ainult Euroopa riikide puhul

EÜ vastavusdeklaratsioon sisaldub käesoleva juhendi Lisas A.

## OHUTUSHOIATUSED

### Üldised elektritööriistade ohutusohiatused

**⚠HOIATUS:** Lugege läbi kõik selle elektritööriistaga kaasas olevad ohutusohiatused, juhised, joonised ja tehnilised andmed. Järgnevate juhiste eiramine võib põhjustada elektrilöögi, süttimise ja/või raske kehavigastuse.

## Hoidke edaspidisteks viide- teks alles kõik hoiatused ja juhtnöörid.

Hoiatuses kasutatud termini „elektritööriist“ all peetakse silmas elektriga töötavaid (juhtmega) elektritööriistu või akuga töötavaid (juhtmata) elektritööriistu.

### Teisaldatava juhtmata lintsaie ohutusnõuded

1. Hoidke elektritööriista töö ajal isoleeritud haardepindadest, kui löikeriist võib kokku puutuda peidetud juhtmatega. Voolu all oleva juhtmega kokkupuutesse sattunud löiketerad võivad pingestada elektritööriista metallosi ja põhjustada kasutajale elektrilöögi.
2. Kasutage ainult neid löiketerasid, mis on loetletud **TEHNILISTES ANDMETES**.
3. Enne toimingut kontrollige hoolikalt, et löiketeral poleks mõrasid ega kahjustusi. Asendage pragunenud või vigastatud löiketera viivitamatult.
4. Kinnitage töödeldav detail kindlalt. Töödeldavate detailide paketi löikamisel veenduge enne löikama asumist, et kõik detailid oleks kindlalt kinnitatud.
5. Õliga kaetud töödeldavate detailide löikamine võib põhjustada löiketera ootamatu küljest tuleku. Enne löikamist pühkige töödeldavad detailid liigest õlist puhtaks.
6. Ärge kunagi kasutage jahutus-määrdevedelikku löikuri määrdeainena. Kasutage ainult Makita löikamisvaha.
7. Hoidke tööriista kindlalt.
8. Hoidke käed pöörlevatest osadest eemal.
9. Metallil löikamisel olge ettevaatlik kuumade lendavate laastude suhtes.
10. Ärge jätke töötavat tööriista järelevalveta.
11. Ärge puudutage saelehte ega töödeldavat detaili vahetult pärast tööoperatsiooni, sest need võivad olla äärmiselt kuumad ja põletada nahka.

## Akukassetiga seotud olulised ohutusjuhised

1. Enne akukasseti kasutamist lugege (1) akulaadimise, (2) akul ja (3) seadmel olevad juhtnöörid ja hoiatused läbi.
2. Ärge võtke akukassetti lahti.
3. Kui tööaeg järsult lüheneb, siis lõpetage kohe kasutamine. Edasise kasutamise tulemuseks võib olla ülekuumenemisoht, võimalikud põletused või isegi plahvatus.
4. Kui elektrolüüti satub silma, siis loputage silma puhta veega ja pöörduge koheselt arsti poole. Selline õnnetus võib põhjustada pimedaksjäämist.
5. Ärge tekitage akukassetis lühist:
  - (1) Ärge puutuge klemme elektrijuhtidega.
  - (2) Ärge hoidke akukassetti tööriistakastis koos metallesemetega, nagu naelad, mündid jne.
  - (3) Ärge tehke akukassetti märjaks ega jätke seda vihma kätte.Aku lühis võib põhjustada tugevat elektrivoolu, ülekuumenemist, põletusi ning ka seadet tõsiselt kahjustada.
6. Ärge hoidke tööriista ja akukassetti kohtades, kus temperatuur võib tõusta üle 50 °C.
7. Ärge põletage akukassetti isegi siis, kui see on saanud tõsiselt vigastada või on täiesti kulumud. Akukassett võib tules plahvatada.
8. Olge ettevaatlik, ärge laske akul maha kukkuda ja vältige lööke.
9. Ärge kasutage kahjustatud akut.
10. Sisalduvatele liitium-ioonakudele võivad kohaldada ohtlike kaupade õigusaktide nõuded. Kaubanduslikul transpordimisel, näiteks kolmanda poolte või transpordiettevõtete poolt, tuleb järgida pakendil ja siltidel toodud erinõudeid. Transpordimiseks ettevalmistamisel on vajalik pidada nõu ohtliku materjali ekspertiidiga. Samuti tuleb järgida võimalike riiklike regulatsioonide üksikasjalikumaid nõudeid. Katke teibiga või varjake avatud kontaktid ja pakendage aku selliselt, et see ei saaks pakendis liikuda.
11. Kasutuskõlbmatuks muutunud akukasseti kõrvaldamiseks eemaldage see tööriistast ja viige selleks ette nähtud kohta. Järgige kasutuskõlbmatuks muutunud aku kõrvaldamisel kohalike eeskirju.
12. Kasutage akusid ainult Makita heaks kiidetud toodetega. Akude paigaldamine selleks mitte ettenähtud toodetele võib põhjustada süttimist, ülemäära kuumust, plahvatamist või elektrolüüdi lekkimist.
13. Kui tööriista ei kasutata pika ajaperioodi jooksul, tuleb aku tööriistast eemaldada.

## HOIDKE JUHEND ALLES.

**⚠ETTEVAATUST:** Kasutage ainult Makita originaalakusid. Mitte Makita originaalakude või muudetud akude kasutamine võib põhjustada akude süttimise, kehavigastuse ja kahjustuse. Samuti muudab see kehtetuks Makita tööriista ja laadija Makita garantii.



## Vihjeid aku maksimaalse kasutaja tagamise kohta

1. Laadige akukasetti enne täielikku tühjenemist. Kui märkate, et tööriist töötab väiksema võimsusega, peatage töö ja laadige akukasetti.
2. Ärge laadige täielikult laetud akukasetti. Ülelaadimine lühendab akude kasutusiga.
3. Laadige akukasetti toatemperatuuril 10 °C - 40 °C. Enne laadimist laske kuumenenud akukasetil maha jahtuda.
4. Kui te ei kasuta akukasetti kauem kui kuus kuud, laadige see.

## FUNKSIONAALNE KIRJELDUS

**⚠ETTEVAATUST:** Kandke alati hoolt selle eest, et tööriist oleks enne reguleerimist ja kontrollimist välja lülitatud ja akukasett eemaldatud.

### Akukasetti paigaldamine või eemaldamine

**⚠ETTEVAATUST:** Lülitage tööriist alati enne akukasetti paigaldamist või eemaldamist välja.

**⚠ETTEVAATUST:** Akukasetti paigaldamisel või eemaldamisel tuleb tööriista ja akukasetti ei kindlalt paigal hoida. Kui tööriista ja akukasetti ei hoita kindlalt paigal, võivad need käest libiseda ning kahjustada tööriista ja akukasetti või põhjustada kehavigastusi.

► **Joon.1:** 1. Punane näidik 2. Nupp 3. Akukasett

Akukasetti eemaldamiseks libistage see tööriista küljest lahti, vajutades kasseti esiküljel paiknevat nuppu alla.

Akukasetti paigaldamiseks joondage akukasetti keel korpuse soonega ja libistage kassett oma kohale. Paigaldage akuadapter alati nii kaugemale, et see lukustuks klõpsatusega oma kohale. Kui näete nupu ülaosas punast osa, pole kassett täielikult lukustunud.

**⚠ETTEVAATUST:** Paigaldage akukasett alati täies ulatuses nii, et punast osa ei jääks näha.

Muidu võib adapter juhuslikult tööriistast välja kukkuda ning põhjustada teile või läheduses viibivatele isikutele vigastusi.















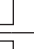









**⚠ETTEVAATUST:** Ärge rakendage akukasetti paigaldamisel jõudu. Kui kassett ei lähe kergesti sisse, pole see õigesti paigaldatud.

## Aku jääkmahutavuse näit

**Ainult näidikuga akukasettidele**

► **Joon.2:** 1. Märkulambid 2. Kontrollimise nupp

Akukasetti järelejäänud mahutavuse kontrollimiseks vajutage kontrollimise nuppu. Märkulambid süttivad mõneks sekundiks.

Märkulambid			Jääkmahutavus
 Põleb	 Ei põle	 Vilgub	
			75 - 100%
			50 - 75%
			25 - 50%
			0 - 25%
			Laadige akut.
			Akul võib olla tõrge.
			













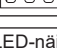
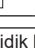

**MÄRKUS:** Näidatud mahutavus võib veidi erineda tegelikust mahutavusest olenevalt kasutustingimustest ja ümbritseva keskkonna temperatuurist.

## Aku järelejäänud laetustaseme näitamine

**Riigikohane**

► **Joon.3:** 1. Akunäidik

Kui vajutate päästikule, näitab LED-näidik aku järelejäänud laetustaset. Aku järelejäänud laetustaset näidatakse, nagu on näha järgmises tabelis.

Akunäidiku olek			Aku jääkmahutavus
 Põleb	 Ei põle	 Vilgub	
			50% kuni 100%
			20% kuni 50%
			0% kuni 20%
			Laadige akut

**MÄRKUS:** Kui LED-näidik kustub, lülitub tööriist aku säästmiseks välja. Aku järelejäänud laetustaseme kontrollimiseks vajutage õrnalt lüliti päästikule.

**MÄRKUS:** LED-näidik kustub umbes üks minut pärast lüliti päästiku vabastamist.

**MÄRKUS:** Kui LED-näidik süttib ja tööriist seiskub isegi taaslaetud akukasetti puhul, jahutage tööriist täielikult maha. Kui olek ei muutu, lõpetage tööriista kasutamine ja laske tööriist Makita kohalikul teeninduskeskusel ära remontida.

## Tööriista/aku kaitsesüsteem

Tööriist on varustatud tööriista või aku kaitsesüsteemiga. Süsteem lülitab mootori automaatselt välja, et pikendada tööriista ja aku tööiga. Tööriist seiskub käitamise ajal automaatselt, kui tööriista või aku kohta kehtib üks järgmistest tingimustest.

## Ülekoormuskaitse

Kui akut kasutatakse viisil, mis nõuab akust tavatult palju voolu, seiskub tööriist ilma mingi näiduta. Sellises olukorras lülitage tööriist välja ja lõpetage tegevus, mis põhjustas tööriista ülekoormuse. Seejärel lülitage tööriist taaskäivitamiseks uuesti sisse.

## Ülekuumenemiskaitse

Kui tööriist on ülekuumenenud, seiskub tööriist automaatselt ja lamp hakkab vilkuma. Laske sellisel juhul tööriistal ja akul enne tööriista uuesti sisselülitamist jahtuda.

## Ülelaadimiskaitse

Kui aku laetuse tase ei ole piisav, seiskub tööriist automaatselt. Sellisel juhul eemaldage aku seadmest ja laadige täis.

## Konks

**⚠ETTEVAATUST:** Ärge kunagi riputage tööriista kõrgesse või tõenäoliselt ebakindlasse kohta.

Konksu abil on mugav tööriista ajutiselt riputada. Konksu kasutamiseks lükake seda üles, kuni see klõpsatab avatud asendisse. Kui konks pole kasutusel, siis laske see alla, kuni see klõpsatab kinnisesse asendisse.

### Avatud asend

► **Joon.4:** 1. Konks

### Suletud asend

► **Joon.5:** 1. Konks

## Lüliti funktsioneerimine

**⚠HOIATUS:** Kontrollige alati enne akukasseti tööriista külge paigaldamist, kas lüliti päästik funktsioneerib nõuetekohaselt ja liigub lahtilaskmisel tagasi väljalülitatud asendisse.

**⚠HOIATUS:** Lahtilukustusnupu fikseerimine kleepklindi vms-ga on KEELATUD. Inaktiveeritud lahtilukustusnupuga lüliti võib põhjustada masina soovimatut sisselülitumise, millega kaasnevad tõsised vigastused.

**⚠HOIATUS:** ÄRGE kasutage KUNAGI masinat, kui see käivitub ka siis, kui lahtilukustusnupu vajutamata vajutate lihtsalt lüliti päästikut. Remonti vajav lüliti võib põhjustada masina soovimatut sisselülitumise, millega kaasnevad tõsised vigastused. ENNE edasist kasutamist viige masin parandamiseks Makita teeninduskeskusesse.

Lüliti päästiku juhusliku vajutamise vältimiseks on tööriistal lahtilukustusnupp. Tööriista käivitamiseks vajutage lukust avamise nupp alla ja vajutage lüliti päästikut. Tööriista kiirus kasvab, kui suurendate survet lüliti päästikule. Vabastage seiskamiseks lüliti päästik.

► **Joon.6:** 1. Lahtilukustusnupp 2. Lüliti päästik

## Kiirusregulaator

► **Joon.7:** 1. Kiirusregulaator

Tööriista kiirust saab regulaatorketast keerates vahemikus 1,3 m/s ja 3,2 m/s piiramatult reguleerida. Tööriista kiirus suureneb regulaatori keeramisel number 6 suunas ning tööriista kiirus väheneb regulaatori keeramisel number 1 suunas. Valige lõigatava detaili jaoks õige kiirus.

**TÄHELEPANU:** Muutes kiirusregulaatorit asendist „6” asendisse „1”, pöörake regulaatorit vastupäeva. Ärge pöörake regulaatorit jõuga päripäeva.

**TÄHELEPANU:** Suurel kiirusel saagimisel võivad plastmaterjalid sulada.

## Eesmise lambi süütamine

**⚠ETTEVAATUST:** Ärge vaadake otse valgusesse ega valgusallikat.

Lambi sisselülitamiseks vajutage lüliti päästikut. Lüliti päästiku vajutamise ajal lamp põleb. Lamp kustub umbes 10 sekundit pärast lüliti päästiku vabastamist.

► **Joon.8:** 1. Lamp

**MÄRKUS:** Ärge lööge vastu lampi, sest lamp võib kahjustada saada või selle kasutusiga lüheneda.

**MÄRKUS:** Pühkige lamp kuiva lapiga puhtaks. Olge seda tehes ettevaatlik, et lambi läätse mitte kriimustada, sest muidu võib valgustus väheneda.

**MÄRKUS:** Kui tööriist on ülekuumenenud, vilgub lamp ühe minuti ja seejärel lülitub välja. Sellisel juhul laske tööriistal enne töö jätkamist maha jahtuda.

## KOKKUPANEK

**⚠ETTEVAATUST:** Kandke alati hoolt selle eest, et tööriist oleks enne igasuguseid hooldustöid välja lülitatud ja akukasset eemaldatud.

## Lintsaetera paigaldamine või eemaldamine

**⚠ETTEVAATUST:** Lintsaeterale sattunud õli võib põhjustada tera libisemist või ootamatult lahitudulekut. Enne lintsaetera paigaldamist pühkige kogu liigne õli lapiga ära.

**⚠ETTEVAATUST:** Lintsaetera käsitsemise ajal kandke alati kaitsekindaid.

**⚠ETTEVAATUST:** Lintsaetera käitsemisel olge ettevaatlik, et vältida enda vigastamist terahammaste teravate servadega.

**⚠ETTEVAATUST:** Lintsaetera liikumise kontrollimisel hoidke oma keha tera piirkonnast eemal.

**⚠ETTEVAATUST:** Terapingutushooba lintsaetera pingsuse vähendamiseks päripäeva pöörates suunake tööriist alla, sest lintsaetera võib ootamatult lahti tulla.

Lintsaetera eemaldamine:

1. Ratta lõdvendamiseks keerake terapingutushooba päripäeva kuni selle seiskumiseni.  
► **Joon.9:** 1. Pingutamine 2. Lõdvendamine  
3. Terapingutushoob
2. Avage rattakate.  
► **Joon.10:** 1. Rattakate 2. Konks

**TÄHELEPANU:** Rattakatte avamisel avage ja vabastage korraga mõlemad konksud. Ainult ühe konksu avamine võib põhjustada rattakatte pragunemise.

3. Seadke lintsaeateral ja ratasel olevate noolte suund ühesuguseks.
4. Seadke lintsaetera hammasteta külg ülemisse ja alumisse hoidikusse. Veenduge, et lintsaetera ülemine ja alumine hoidik puudutaksid põhja laagreid.  
► **Joon.11:** 1. Alumine hoidik 2. Ülemine hoidik  
3. Põhja laager
5. Surudes lintsaetera keskmist osa, seadke tera ümber ühe ratta. Seda on lihtsam teha, kui liigutada ratas A-küljele.  
► **Joon.12:** 1. Ratas 2. Kummist kate
6. Seadke lintsaetera samamoodi teisele rattale.
7. Seadke lintsaetera serv kummist katele.
8. Hoidke lintsaetera paigal ja keerake terapingutushooba vastupäeva kuni selle seiskumiseni. See rakedab lintsaeeterale nõuetekohase surve.
9. Sulgege rattakate.

**TÄHELEPANU:** Veenduge, et lintsaetera oleks paigaldatud õigesti ümber rataste.

**TÄHELEPANU:** Käivitage ja seisake tööriist kaks või kolm korda veendumaks, et lintsaetera jookseb ratastel korralikult.

Lintsaetera eemaldamiseks järgige paigaldamise protseduuri vastupidises järjekorras.

## Tera jooksu reguleerimine

Kui lintsaetera libiseb tihti rattast välja, reguleerige tera jooksu.

Reguleerimiseks sisestage kuuskantvõti reguleerimise avasse, nagu on pildil näidatud, ja keerake veerand pööret päripäeva. Seejärel kontrollige, kas lintsaetera libiseb välja.

Kui see libiseb endiselt välja, keerake veel veerand pööret ja kontrollige nii kaua, kuni lintsaetera ei libise enam välja.

► **Joon.13:** 1. Kuuskantvõti 2. Reguleerimise ava

## Stopperplaadi asendi reguleerimine

Tavalise töö puhul lükake stopperplaat lõpuni A-küljele. Kui stopperplaat pöörab löike lõpetamisel vastu takistust, näiteks seinu vms, keerake lahti kaks polti ja lükake see joonisel näidatud B-poolele.

Pärast stopperplaadi nihutamist fikseerige see, keerates kaks polti tugevalt kinni.

► **Joon.14:** 1. Stopperplaat 2. Poldid 3. Lintsaetera

## Küljkäepideme (käepide) paigaldamine

### Valikuline tarvik

Kruvige küljkäepide kindlalt oma kohale nii, nagu joonisel näidatud.

► **Joon.15**

## TÖÖRIISTA KASUTAMINE

**⚠ETTEVAATUST:** Pange akukasett alati sisse nii sügavale, et see lukustuks oma kohale. Kui näete nupu ülaosas punast osa, pole kassetit täielikult lukustunud. Sisestage see täies ulatuses nii, et punast osa ei jääks näha. Muidu võib adapter juhuslikult tööriistast välja kukkuda ning põhjustada teile või läheduses viibivatele isikutele vigastusi.

**⚠ETTEVAATUST:** Hoidke alati käepidemest. Ärge kunagi hoidke kinni tööriista korpuselt ega kaitsepiiretest. Käed võivad nendest kohtadest maha libiseda ja sattuda lintsaeetera kokkupuutesse. See võib põhjustada kehavigastuse.

**⚠ETTEVAATUST:** Veenduge, et rattakate oleks kindlalt suletud.

**⚠ETTEVAATUST:** Hoidke tööriista kindlalt nii sisse- või väljalülitamise kui ka lõikamise ajal. Muidu võib tööriist maha kukkuda ja põhjustada kehavigastuse.

**⚠ETTEVAATUST:** Metallil lõikamisel kandke alati kindaid, et kaitsta käsi õhku paiskuvate kuumade laastude eest.

**⚠ETTEVAATUST:** Hoidke oma keha ja nägu lintsaeeterast ning lendavatest laastudest eemal.

Stabiilse löike saavutamiseks on oluline hoida alati vähemalt kaks hammast löikes.

► **Joon.16**

Pange lintsaetera töödeldaval detailil sobivasse löikeasendisse, nagu on joonisel näidatud.

► **Joon.17**

1. Hoidke tööriista joonisel näidatud viisil.

Enne tööriista sisselülitamist veenduge alati, et stopperplaat puudutaks töödeldavat detaili ning et lintsaetera oleks töödeldavast detailist eemal.

► **Joon.18**

2. Lülitage tööriist sisse ja oodake, kuni lintsaetera saavutab täiskiruse. Langetage tera ettevaatlikult löikesse. Tööriista enda raskus või selle kerge surumine annab lõikamiseks piisava surve. Ärge rakendage tööriista kasutamisel jõudu.

► **Joon.19**

3. Kui jõuate löike lõpuni, vähendage survet ja kergitage tööriista veidi, et vältida tööriista langemist vastu töödeldavat detaili.

**TÄHELEPANU:** Ülemäärase surve rakendamisel tööriistale või lintsaetera väänamisel võib löige tulla viiltune või tera viga saada.

**TÄHELEPANU:** Kui te ei kasuta tööriista pike-mat aega, võtke lintsaetera selle küljest lahti.

**TÄHELEPANU:** Kui tööriistaga töötatakse järjest seni, kuni akukasett on tühi, laske tööriistal enne uue akuga töö jätkamist 15 minutit seista.

## Lõikuri määrdeaine

### Valikuline tarvik

**⚠ETTEVAATUST:** Ärge kunagi kasutage lõike-öli ega kandke lintsaeterale liiga palju vaha. Selle tagajärjel võib tera libiseda või ootamatult lahti tulla.

**⚠ETTEVAATUST:** Valuraua lõikamisel ärge kasutage lõikevaha.

Metallide lõikamisel kasutage lõikuri määrdeainena Makita lõikevaha. Lõikevaha kandmiseks lintsaetera hammastele eemaldage lõikevaha kattev kaas, käivitage tööriist ja löigake sellega lõikevahasse, nagu on joonisel näidatud.

► **Joon.20:** 1. Lõikevaha

## HOOLDUS

**⚠ETTEVAATUST:** Enne kontroll- või hooldustoimingute tegemist kandke alati hoolt selle eest, et tööriist oleks välja lülitatud ja akukassett korpuse küljest eemaldatud.

**TÄHELEPANU:** Ärge kunagi kasutage bensiini, vedeldit, alkoholi ega midagi muud sarnast. Selle tulemuseks võib olla luitumine, deformatsioon või pragunemine.

Toote OHUTUSE ja TÖÖKINDLUSE tagamiseks tuleb vajalikud remonttööd ning muud hooldus- ja reguleerimistööd lasta teha Makita volitatud teeninduskeskustes või tehase teeninduskeskustes. Alati tuleb kasutada Makita varuosi.

## Puhastamine

**⚠ETTEVAATUST:** Ratta kummist katetel olev vaha ja laastud võivad põhjustada lintsaetera libisemist ja ootamatut lahtitulekut. Kasutage kummist katetelt vaha ja laastude eemaldamiseks kuiva riidelappi.

Pärast kasutamist eemaldage vaha, laastud ja tolm tööriistalt, ratta kummist katetelt ja lintsaeteralt.

## Kummist katete eemaldamine ratastelt

Kui lintsaetera libiseb või ei liigu rajal õigesti, sest katted on väga kulunud, siis vahetage kummist katted välja. Kummist katte väljavahetamiseks pöörduge Makita volitatud või tehase teeninduskeskuse poole.

## VALIKULISED TARVIKUD

**⚠ETTEVAATUST:** Neid tarvikuid ja lisaseadiseid on soovitatav kasutada koos Makita tööriistaga, mille kasutamist selles kasutusjuhendis kirjeldatakse. Muude tarvikute ja lisaseadiste kasutamisega kaasneb vigastada saamise oht. Kasutage tarvikuid ja lisaseadiseid ainult otstarbekohaselt.

Saate vajaduse korral kohalikust Makita teeninduskeskusest lisateavet nende tarvikute kohta.

- Makita algupärane aku ja laadija
- Lintsaeterad
- Lõikevaha
- Käepide 36

**MÄRKUS:** Mõned nimekirjas loetletud tarvikud võivad kuuluda standardvarustusse ning need on lisatud tööriista pakendisse. Need võivad riigiti erineda.

## ТЕХНИЧЕСКИЕ ХАРАКТЕРИСТИКИ

Модель:		DPB183
Макс. производительность резки	Круглая заготовка	Диаметр 66 мм
	Прямоугольная заготовка	66 мм × 66 мм
Скорость полотна		0–3,2 м/с (0–190 м/мин)
Размеры полотна	Длина	835 мм
	Ширина	13 мм
	Толщина	0,5 мм
Размеры (Д × Ш × В) без кожуха шкивов		392 мм × 174 мм × 242 мм
Номинальное напряжение		18 В пост. тока
Масса нетто без кожуха шкивов		3,6–3,9 кг

- Благодаря нашей постоянно действующей программе исследований и разработок указанные здесь технические характеристики могут быть изменены без предварительного уведомления.
- Технические характеристики могут различаться в зависимости от страны.
- Масса может отличаться в зависимости от дополнительного оборудования. Обратите внимание, что блок аккумулятора также считается дополнительным оборудованием. В таблице представлены комбинации с наибольшим и наименьшим весом в соответствии с процедурой EPTA 01/2014.

### Подходящий блок аккумулятора и зарядное устройство

Блок аккумулятора	BL1815N / BL1820 / BL1820B / BL1830 / BL1830B / BL1840 / BL1840B / BL1850 / BL1850B / BL1860B
Зарядное устройство	DC18RC / DC18RD / DC18RE / DC18SD / DC18SE / DC18SF / DC18SH

- В зависимости от региона проживания некоторые блоки аккумуляторов и зарядные устройства, перечисленные выше, могут быть недоступны.

**⚠ ОСТОРОЖНО:** Используйте только перечисленные выше блоки аккумуляторов и зарядные устройства. Использование других блоков аккумуляторов и зарядных устройств может привести к травме и/или пожару.

### Назначение

Данный инструмент предназначен для резки полимеров и черных металлов.

### Шум

Типичный уровень взвешенного звукового давления (A), измеренный в соответствии с EN60745-2-20:  
Уровень звукового давления ( $L_{pA}$ ): 80 дБ (A)  
Погрешность (K): 3 дБ (A)

Уровень шума при выполнении работ может превышать 80 дБ (A).

**ПРИМЕЧАНИЕ:** Заявленное значение распространения шума измерено в соответствии со стандартной методикой испытаний и может быть использовано для сравнения инструментов.

**ПРИМЕЧАНИЕ:** Заявленное значение распространения шума можно также использовать для предварительных оценок воздействия.

**⚠ ОСТОРОЖНО:** Используйте средства защиты слуха.

**⚠ ОСТОРОЖНО:** Распространение шума во время фактического использования электроинструмента может отличаться от заявленного значения в зависимости от способа применения инструмента и в особенности от типа обрабатываемой детали.

**⚠ ОСТОРОЖНО:** Обязательно определите меры безопасности для защиты оператора, основанные на оценке воздействия в реальных условиях использования (с учетом всех этапов рабочего цикла, таких как выключение инструмента, работа без нагрузки и включение).

### Вибрация

Суммарное значение вибрации (сумма векторов по трем осям), определенное в соответствии с EN60745-2-20:  
Рабочий режим: резка металла  
Распространение вибрации ( $a_{h,m}$ ): 2,5 м/с<sup>2</sup> или менее  
Погрешность (K): 1,5 м/с<sup>2</sup>

**ПРИМЕЧАНИЕ:** Заявленное общее значение распространения вибрации измерено в соответствии со стандартной методикой испытаний и может быть использовано для сравнения инструментов.

**ПРИМЕЧАНИЕ:** Заявленное общее значение распространения вибрации можно также использовать для предварительных оценок воздействия.

**⚠ОСТОРОЖНО:** Распространение вибрации во время фактического использования электроинструмента может отличаться от заявленного значения в зависимости от способа применения инструмента и в особенности от типа обрабатываемой детали.

**⚠ОСТОРОЖНО:** Обязательно определите меры безопасности для защиты оператора, основанные на оценке воздействия в реальных условиях использования (с учетом всех этапов рабочего цикла, таких как выключение инструмента, работа без нагрузки и включение).

## Декларация о соответствии ЕС

*Только для европейских стран*

Декларация о соответствии ЕС включена в руководство по эксплуатации (Приложение А).

## МЕРЫ БЕЗОПАСНОСТИ

### Общие рекомендации по технике безопасности для электроинструментов

**⚠ОСТОРОЖНО:** Ознакомьтесь со всеми представленными инструкциями по технике безопасности, указаниями, иллюстрациями и техническими характеристиками, прилагаемыми к данному электроинструменту. Несоблюдение каких-либо инструкций, указанных ниже, может привести к поражению электрическим током, пожару и/или серьезной травме.

### Сохраните брошюру с инструкциями и рекомендациями для дальнейшего использования.

Термин "электроинструмент" в предупреждениях относится ко всему инструменту, работающему от сети (с проводом) или на аккумуляторах (без провода).

### Правила техники безопасности при использовании аккумуляторной ленточной пилы

1. Если при выполнении работ существует риск контакта режущего инструмента со скрытой электропроводкой, держите электроинструмент за специально предназначенные для этого изолированные поверхности. При контакте металлических частей электроинструмента с проводом под напряжением оператор может получить удар током.

2. Используйте только полотна, указанные в разделе "Технические характеристики".
3. Перед эксплуатацией тщательно осмотрите полотно и убедитесь в отсутствии трещин или повреждений. Немедленно замените треснувшее или поврежденное полотно.
4. Надежно закрепляйте обрабатываемую заготовку. Перед резкой нескольких соединенных заготовок убедитесь в том, что все заготовки надежно скреплены друг с другом.
5. При резке заготовок, покрытых маслом, полотно может неожиданно соскочить с них. Перед резкой протрите заготовки, чтобы удалить излишки масла.
6. Категорически запрещается использовать масло для резы в качестве смазочного материала для резы. Используйте только воск Makita для резы.
7. Держите инструмент крепко.
8. Руки должны находиться на безопасном расстоянии от вращающихся деталей.
9. При резке металла примите меры предосторожности для защиты от горячей летящей стружки.
10. Не оставляйте работающий инструмент без присмотра.
11. Не касайтесь полотна или обрабатываемой детали сразу же после работы: они могут быть очень горячими и обжечь кожу.

### Важные правила техники безопасности для работы с аккумуляторным блоком

1. Перед использованием аккумуляторного блока прочитайте все инструкции и предупреждающие надписи на (1) зарядном устройстве, (2) аккумуляторном блоке и (3) инструменте, работающем от аккумуляторного блока.
2. Не разбирайте аккумуляторный блок.
3. Если время работы аккумуляторного блока значительно сократилось, немедленно прекратите работу. В противном случае, может возникнуть перегрев блока, что приведет к ожогам и даже к взрыву.
4. В случае попадания электролита в глаза промойте их обильным количеством чистой воды и немедленно обратитесь к врачу. Это может привести к потере зрения.
5. Не замыкайте контакты аккумуляторного блока между собой:
  - (1) Не прикасайтесь к контактам какими-либо токопроводящими предметами.
  - (2) Не храните аккумуляторный блок в контейнере вместе с другими металлическими предметами, такими как гвозди, монеты и т. п.
  - (3) Не допускайте попадания на аккумуляторный блок воды или дождя.Замыкание контактов аккумуляторного блока между собой может привести к возникновению большого тока, перегреву, возможным ожогам и даже поломке блока.
6. Не храните инструмент и аккумуляторный блок в местах, где температура может достигать или превышать 50 °C (122 °F).

7. Не бросайте аккумуляторный блок в огонь, даже если он сильно поврежден или полностью вышел из строя. Аккумуляторный блок может взорваться под действием огня.
8. Не роняйте и не ударяйте аккумуляторный блок.
9. Не используйте поврежденный аккумуляторный блок.
10. Входящие в комплект литий-ионные аккумуляторы должны эксплуатироваться в соответствии с требованиями законодательства об опасных товарах. При коммерческой транспортировке, например, третьей стороной или экспедитором, необходимо нанести на упаковку специальные предупреждения и маркировку. В процессе подготовки устройства к отправке обязательно проконсультируйтесь со специалистом по опасным материалам. Также соблюдайте местные требования и нормы. Они могут быть строже. Закройте или закрепите разомкнутые контакты и упакуйте аккумулятор так, чтобы он не перемещался по упаковке.
11. Для утилизации блока аккумулятора извлеките его из инструмента и утилизируйте безопасным способом. Выполняйте требования местного законодательства по утилизации аккумуляторного блока.
12. Используйте аккумулятор только с продукцией, указанной Makita. Установка аккумуляторов на продукцию, не соответствующую требованиям, может привести к пожару, перегреву, взрыву или утечке электролита.
13. Если инструментом не будут пользоваться в течение длительного периода времени, извлеките аккумулятор из инструмента.

## СОХРАНИТЕ ДАННЫЕ ИНСТРУКЦИИ.

**ВНИМАНИЕ:** Используйте только фирменные аккумуляторные батареи Makita. Использование аккумуляторных батарей, не произведенных Makita, или батарей, которые были подвергнуты модификациям, может привести к взрыву аккумулятора, пожару, травмам и повреждению имущества. Это также автоматически аннулирует гарантию Makita на инструмент и зарядное устройство Makita.

## Советы по обеспечению максимального срока службы аккумулятора

1. Заряжайте блок аккумуляторов перед его полной разрядкой. Обязательно прекратите работу с инструментом и зарядите блок аккумуляторов, если вы заметили снижение мощности инструмента.
2. Никогда не подзаряжайте полностью заряженный блок аккумуляторов. Перезарядка сокращает срок службы аккумулятора.
3. Заряжайте блок аккумуляторов при комнатной температуре в 10 - 40 °C (50 - 104 °F). Перед зарядкой горячего блока аккумуляторов дайте ему остыть.
4. Зарядите ионно-литиевый аккумуляторный блок, если вы не будете пользоваться инструментом длительное время (более шести месяцев).

## ОПИСАНИЕ РАБОТЫ

**ВНИМАНИЕ:** Перед регулировкой или проверкой функций инструмента обязательно убедитесь, что он выключен и его аккумуляторный блок снят.

### Установка или снятие блока аккумуляторов

**ВНИМАНИЕ:** Обязательно выключайте инструмент перед установкой и извлечением аккумуляторного блока.

**ВНИМАНИЕ:** При установке и извлечении аккумуляторного блока крепко удерживайте инструмент и аккумуляторный блок. Если не соблюдать это требование, они могут выскользнуть из рук, что приведет к повреждению инструмента, аккумуляторного блока и травмированию оператора.

► **Рис.1:** 1. Красный индикатор 2. Кнопка 3. Блок аккумулятора

Для снятия аккумуляторного блока нажмите кнопку на лицевой стороне и извлеките блок.

Для установки аккумуляторного блока совместите выступ аккумуляторного блока с пазом в корпусе и задвиньте его на место. Устанавливайте блок до упора так, чтобы он зафиксировался на месте с небольшим щелчком. Если вы можете видеть красный индикатор на верхней части клавиши, адаптер аккумулятора не полностью установлен на месте.











**ВНИМАНИЕ:** Обязательно устанавливайте аккумуляторный блок до конца, чтобы красный индикатор не был виден. В противном случае аккумуляторный блок может выпасть из инструмента и нанести травму вам или другим людям.

**ВНИМАНИЕ:** Не прилагайте чрезмерных усилий при установке аккумуляторного блока. Если блок не двигается свободно, значит он вставлен неправильно.

### Индикация оставшегося заряда аккумулятора

*Только для блоков аккумулятора с индикатором*

► **Рис.2:** 1. Индикаторы 2. Кнопка проверки. Нажмите кнопку проверки на аккумуляторном блоке для проверки заряда. Индикаторы загорятся на несколько секунд.

Индикаторы			Уровень заряда
 Горит	 Выкл.	 Мигает	
			от 75 до 100%
			от 50 до 75%
			от 25 до 50%
			от 0 до 25%
			Зарядите аккумуляторную батарею.
			Возможно, аккумуляторная батарея неисправна.




**ПРИМЕЧАНИЕ:** В зависимости от условий эксплуатации и температуры окружающего воздуха индикация может незначительно отличаться от фактического значения.

## Индикация оставшейся емкости аккумулятора

В зависимости от страны

► Рис.3: 1. Индикатор аккумулятора

При нажатии на триггерный переключатель на ЖК-дисплее отображается оставшаяся емкость аккумулятора. Оставшаяся емкость аккумулятора приведена в следующей таблице.

Состояние индикатора аккумуляторной батареи			Уровень заряда аккумулятора
 Вкл.	 Выкл.	 Мигает	
			от 50% до 100%
			от 20% до 50%
			от 0% до 20%
			Зарядите аккумулятор

**ПРИМЕЧАНИЕ:** Когда ЖК-дисплей гаснет, инструмент выключается для экономии заряда аккумулятора. Чтобы проверить оставшуюся емкость аккумулятора, слегка нажмите на триггерный переключатель.

**ПРИМЕЧАНИЕ:** ЖК-дисплей гаснет примерно через одну минуту после отпущания триггерного переключателя.

**ПРИМЕЧАНИЕ:** Если ЖК-дисплей загорается и инструмент останавливается даже с заряженным блоком аккумулятора, необходимо дать инструменту остыть. Если состояние не меняется, прекратите работу и передайте инструмент для ремонта в местный сервисный центр Makita.

## Система защиты инструмента/аккумулятора

На инструменте предусмотрена система защиты инструмента/аккумулятора. Она автоматически отключает питание двигателя для продления срока службы инструмента и аккумулятора. Инструмент автоматически остановится во время работы в следующих случаях:

### Защита от перегрузки

Если из-за способа эксплуатации аккумулятор потребляет очень большое количество тока, он автоматически остановится без включения каких-либо индикаторов. В этом случае выключите инструмент и прекратите работу, повлекшую перегрузку инструмента. Затем включите инструмент для перезапуска.

### Защита от перегрева

При перегреве инструмент автоматически останавливается, а лампа начинает мигать. В этом случае дайте инструменту и аккумулятору остыть перед повторным включением.

### Защита от переразрядки

При истощении емкости аккумулятора инструмент автоматически останавливается. В этом случае извлеките аккумулятор из инструмента и зарядите его.

## Крючок

**ВНИМАНИЕ:** Никогда не подвешивайте инструмент на большой высоте или на потенциально неустойчивой поверхности.

Крючок используется для временного подвешивания инструмента.

Для использования крючка просто поднимите его так, чтобы он защелкнулся в открытом положении. Если крючок не используется, опустите его так, чтобы он защелкнулся в закрытом положении.

**Открытое положение**

► Рис.4: 1. Крючок

**Закрытое положение**

► Рис.5: 1. Крючок

## Действие выключателя

**ОСТОРОЖНО:** Перед установкой аккумуляторного блока в инструмент обязательно убедитесь, что его триггерный переключатель нормально работает и возвращается в положение "OFF" (ВЫКЛ) при отпускании.

**ОСТОРОЖНО:** ЗАПРЕЩАЕТСЯ нарушать работу кнопки разблокировки, заклеивая ее скотчем или другими способами. Выключатель с неработающей кнопкой разблокировки может стать причиной случайного включения и причинения тяжелой травмы.

**ОСТОРОЖНО:** ЗАПРЕЩАЕТСЯ использовать инструмент, когда он работает при простом нажатии на триггерный переключатель без нажатия на кнопку разблокировки. Требующий ремонта инструмент может случайно включиться и причинить тяжелую травму. Верните инструмент в сервисный центр Makita для надлежащего ремонта ДО продолжения его эксплуатации.



Для предотвращения случайного нажатия триггерного переключателя предусмотрена кнопка разблокировки. Для запуска инструмента отпустите кнопку блокировки, затем потяните триггерный переключатель.

Для повышения рабочей скорости инструмента нажмите триггерный переключатель сильнее.

Отпустите триггерный переключатель для остановки.

► **Рис.6:** 1. Кнопка разблокировки 2. Триггерный переключатель

## Поворотный регулятор скорости

► **Рис.7:** 1. Поворотный регулятор скорости

Скорость инструмента можно регулировать в диапазоне от 1,3 м/с до 3,2 м/с поворотом регуляционного диска. Для повышения скорости работы поворачивайте диск в направлении цифры 6; для понижения скорости работы – в направлении цифры 1.

Выберите правильную скорость для обрабатываемой детали.

**ПРИМЕЧАНИЕ:** Меняя настройку скорости инструмента со значения “6” на “1”, поворачивайте регулятор скорости против часовой стрелки. Не прилагайте силу, чтобы повернуть регулятор скорости по часовой стрелке.

**ПРИМЕЧАНИЕ:** При резке на высоких скоростях пластмасса может плавиться.

## Включение передней лампы

**ВНИМАНИЕ:** Не смотрите непосредственно на свет или источник света.

Чтобы включить лампу, нажмите триггерный переключатель. Лампа будет гореть до тех пор, пока нажат триггерный переключатель. Лампа гаснет приблизительно через 10 секунд после отпущения триггерного переключателя.

► **Рис.8:** 1. Лампа

**ПРИМЕЧАНИЕ:** Не подвергайте лампу ударам: это может привести к повреждению или уменьшению срока службы лампы.

**ПРИМЕЧАНИЕ:** Для удаления пыли с линзы лампы используйте сухую ткань. Не допускайте возникновения царапин на линзе лампы, так как это приведет к снижению освещенности.

**ПРИМЕЧАНИЕ:** При перегреве инструмента лампа мигает в течение одной минуты, затем гаснет. В этом случае дайте инструменту остыть, прежде чем продолжить работу.

## СБОРКА

**ВНИМАНИЕ:** Перед проведением каких-либо работ с инструментом обязательно убедитесь, что инструмент отключен, а блок аккумулятора снят.

## Установка или снятие ленточного пыльного полотна

**ВНИМАНИЕ:** Масло на ленточном пыльном полотне может стать причиной проскальзывания или соскакивания полотна с заготовкой. Перед установкой ленточного пыльного полотна удалите с него излишки масла тряпкой.

**ВНИМАНИЕ:** При работе с ленточным пыльным полотном обязательно надевайте защитные перчатки.

**ВНИМАНИЕ:** При работе с ленточным пыльным полотном будьте осторожны, чтобы не порезаться острыми краями зубьев полотна.

**ВНИМАНИЕ:** При проверке движения ленточного пыльного полотна держитесь от него на безопасном расстоянии.

**ВНИМАНИЕ:** Когда вы поворачиваете рычаг натяжения полотна по часовой стрелке, чтобы уменьшить натяжение ленточного пыльного полотна, следует направлять инструмент вниз, поскольку полотно может соскочить.

Для установки ленточного пыльного полотна:

1. Поверните рычаг натяжения полотна по часовой стрелке до упора, чтобы ослабить шкив.

► **Рис.9:** 1. Затянуть 2. Ослабить 3. Рычаг натяжения полотна

2. Откройте кожух шкива.

► **Рис.10:** 1. Кожух шкивов 2. Крючок

**ПРИМЕЧАНИЕ:** Открывая кожух шкивов, открывайте и отпускайте оба фиксатора одновременно. При несоблюдении этого требования кожух шкивов может треснуть.

3. Придерживайтесь направлений, указанных стрелками на ленточном пыльном полотне и шкивах.

4. Вставьте гладкий край ленточного пыльного полотна в верхний и нижний держатели. Убедитесь в том, что пыльное полотно в верхнем и нижнем держателях касается нижних опорных элементов.

► **Рис.11:** 1. Нижний держатель 2. Верхний держатель 3. Нижний опорный элемент

5. Наденьте пыльное полотно на один шкив, нажимая на полотно посередине. Чтобы упростить процедуру, сдвиньте шкив в сторону А.

► **Рис.12:** 1. Шкив 2. Резиновая шина

6. Аналогичным образом наденьте ленточное пыльное полотно на другой шкив.

7. Поместите край ленточного пильного полотна на резиновую шину.
8. Удерживая пильное полотно в этом положении, поверните рычаг натяжения полотна против часовой стрелки до упора. Это обеспечит требуемое натяжение ленточного пильного полотна.
9. Закройте крышку шкива.

**ПРИМЕЧАНИЕ:** Убедитесь в том, что пильное полотно правильно расположено на шкивах.

**ПРИМЕЧАНИЕ:** Запустите и остановите инструмент два или три раза, чтобы убедиться в том, что пильное полотно правильно движется по шкивам.

Для снятия пильного полотна выполните процедуру установки в обратном порядке.

## Регулировка положения полотна

Если ленточное пильное полотно часто соскальзывает со шкива, отрегулируйте его положение. Для регулировки вставьте шестигранный ключ в регулировочное отверстие, как показано на рисунке, и поверните его на четверть оборота по часовой стрелке. После этого проверьте пильное полотно на предмет соскальзывания.

Если полотно по-прежнему соскальзывает, поверните ключ еще на четверть оборота и снова проверьте полотно; повторяйте эту операцию, пока пильное полотно не перестанет соскальзывать.

- **Рис.13:** 1. Шестигранный ключ  
2. Регулировочное отверстие

## Регулировка положения стопорной пластины

В обычном режиме работы стопорную пластину следует полностью выдвинуть в направлении А. Если стопорная пластина в момент завершения резки ударяется о препятствия, например о стену, ослабьте два болта и сдвиньте пластину в направлении В, как указано на рисунке.

После перемещения стопорной пластины зафиксируйте ее, затянув два болта.

- **Рис.14:** 1. Стопорная пластина 2. Болты  
3. Ленточное пильное полотно

## Установка боковой ручки (рукоятки)

### Дополнительные принадлежности

Прочно закрепите боковую ручку на месте винтом, как показано на рисунке.

- **Рис.15**

# ЭКСПЛУАТАЦИЯ

**▲ВНИМАНИЕ:** Всегда устанавливайте блок аккумулятора до упора так, чтобы он зафиксировался на месте. Если вы можете видеть красный индикатор на верхней части клавиши, блок аккумулятора не полностью установлен на месте. Установите его до конца так, чтобы красный индикатор был не виден. В противном случае блок может выпасть из инструмента и нанести травму вам или другим людям.

**▲ВНИМАНИЕ:** Всегда держитесь за ручку. Категорически запрещается удерживать инструмент за корпус или защитные элементы. Руки могут соскользнуть и коснуться ленточного пильного полотна. Это может привести к травме.

**▲ВНИМАНИЕ:** Убедитесь в том, что крышка шкива плотно закрыта.

**▲ВНИМАНИЕ:** Крепко удерживайте инструмент при включении, выключении и резке. В противном случае инструмент может упасть и нанести травму.

**▲ВНИМАНИЕ:** При резке металла всегда надевайте перчатки для защиты рук от горячей летящей стружки.

**▲ВНИМАНИЕ:** Держите тело и лицо на безопасном расстоянии от ленточного пильного полотна и отлетающей стружки.

Для обеспечения устойчивости в распиле должно находиться по меньшей мере два зубца.

- **Рис.16**

Пильное полотно должно находиться в правильном положении реза относительно заготовки, как показано на рисунке.

- **Рис.17**

1. Держите инструмент, как показано на рисунке.

Перед включением инструмента следует убедиться, что стопорная пластина касается заготовки, а ленточное пильное полотно не касается заготовки.

- **Рис.18**

2. Включите инструмент и дождитесь, пока ленточное пильное полотно не наберет полную скорость. Плавно опустите полотно в место резки. Вес инструмента или легкий нажим на инструмент обеспечивают необходимое для резки давление. Не прилагайте излишних усилий к инструменту.

- **Рис.19**

3. Достигнув конца разреза, прекратите нажимать на инструмент и слегка его приподнимите, чтобы он не прижимался к заготовке.

**ПРИМЕЧАНИЕ:** Чрезмерное давление на инструмент или искривление пильного полотна могут привести к резке со скосом или повреждению полотна.

**ПРИМЕЧАНИЕ:** Если инструментом не будут пользоваться в течение длительного периода времени, снимите с инструмента ленточное пильное полотно.

**ПРИМЕЧАНИЕ:** Если инструмент эксплуатировался непрерывно до разрядки блока аккумулятора, сделайте перерыв на 15 минут, прежде чем продолжить работу с заряженным аккумулятором.

## Смазка для резки

### Дополнительные принадлежности

**ВНИМАНИЕ:** Категорически запрещается использовать масло для резки или наносить на пильное полотно слишком много воска. Это может привести к прокаливанию полотна или соскакиванию полотна с заготовки.

**ВНИМАНИЕ:** При резке чугуна использовать воск для резки запрещается.

При резке металлов в качестве смазки для резки следует использовать только воск Makita для резки. Чтобы нанести воск для резки на зубья ленточного пильного полотна, снимите крышку с упаковки воска, запустите инструмент и режьте воск, как показано на рисунке.

► **Рис.20:** 1. Воск для резки

## ОБСЛУЖИВАНИЕ

**ВНИМАНИЕ:** Перед проведением проверки или работ по техобслуживанию всегда проверяйте, что инструмент выключен, а блок аккумуляторов снят.

**ПРИМЕЧАНИЕ:** Запрещается использовать бензин, растворители, спирт и другие подобные жидкости. Это может привести к обесцвечиванию, деформации и трещинам.

Для обеспечения БЕЗОПАСНОСТИ и НАДЕЖНОСТИ оборудования ремонт, любое другое техобслуживание или регулировку необходимо производить в уполномоченных сервис-центрах Makita или сервис-центрах предприятия с использованием только сменных частей производства Makita.

## Очистка

**ВНИМАНИЕ:** Воск и опилки на резиновых шинах шкивов могут стать причиной прокаливания и соскакивания ленточного пильного полотна. Для удаления воска и опилок с резиновых шин используйте сухую тряпку.

После работы очистите инструмент, резиновые шины шкивов и ленточное пильное полотно от воска, опилок и пыли.

## Замена резиновых шин на шкивах

Резиновые шины следует заменить, если ленточное пильное полотно соскальзывает или смещается из-за их чрезмерного износа.

Для замены резиновых шин обратитесь в авторизованный сервисный центр или сервисный центр предприятия Makita.

## ДОПОЛНИТЕЛЬНЫЕ ПРИНАДЛЕЖНОСТИ

**ВНИМАНИЕ:** Данные принадлежности или приспособления рекомендуются для использования с инструментом Makita, указанным в настоящем руководстве. Использование других принадлежностей или приспособлений может привести к получению травмы. Используйте принадлежность или приспособление только по указанному назначению.

Если вам необходимо содействие в получении дополнительной информации по этим принадлежностям, свяжитесь с вашим сервис-центром Makita.

- Оригинальный аккумулятор и зарядное устройство Makita
- Ленточные пильные полотна
- Воск для резки
- Рукоятка 36

**ПРИМЕЧАНИЕ:** Некоторые элементы списка могут входить в комплект инструмента в качестве стандартных приспособлений. Они могут отличаться в зависимости от страны.

**Makita Europe N.V.** Jan-Baptist Vinkstraat 2,  
3070 Kortenberg, Belgium

**Makita Corporation** 3-11-8, Sumiyoshi-cho,  
Anjo, Aichi 446-8502 Japan

[www.makita.com](http://www.makita.com)

885785-982  
EN, SV, NO, FI, DA,  
LV, LT, ET, RU  
20200107