

Warranty Information

Proof of purchase will be required.

The guarantee does not cover faults or damage caused by incorrect installation and/or maintenance, ordinary wear and tear, water composition, etc.

*Please see www.methven.com for full terms and conditions of warranty

Cleaning

Your product has a high-quality finish and should be treated with care to preserve the visible surfaces.

Never use abrasives or abrasive cleaning agents to clean this product. Clean regularly with contamination free warm water and a damp soft cloth.

Lime deposits can be prevented from forming on the faceplate by wiping immediately after use. If shower performance is compromised by the build-up of lime-scale, soak in limescale remover for up to 10 minutes. Do not attempt to remove limescale with sharp objects or abrasives. Do not use products containing chlorine bleach or hydrochloric acid as these can damage the shower. Always rinse the shower thoroughly after cleaning to remove cleaning products that can damage the shower.

Clean face plate using a brush with soft bristles.

Do not use any sharp objects to clean nozzles.

Clean filter washer located in the hose cone on the water outlet end periodically.

We have a policy of continuous improvement and reserve the right to change specifications without notice.

METHVEN UK LIMITED
METHVEN EXPERIENCE CENTRE
3/3A STONE CROSS COURT
YEW TREE WAY
GOLBORNE
WARRINGTON
WA3 3JD
UNITED KINGDOM
INST-ECO01 15/05/2023

TEL: 0800 195 1602
FAX: 0844 406 8690
EMAIL: sales@uk.methven.com
www.methven.com

SATINJET® ECO SHOWER HEAD

Installation Guide

Technical Specification

Operating Pressure

Min: 1.0 bar

Max: 5 bar

Operating Temperature

Hot: 60°C

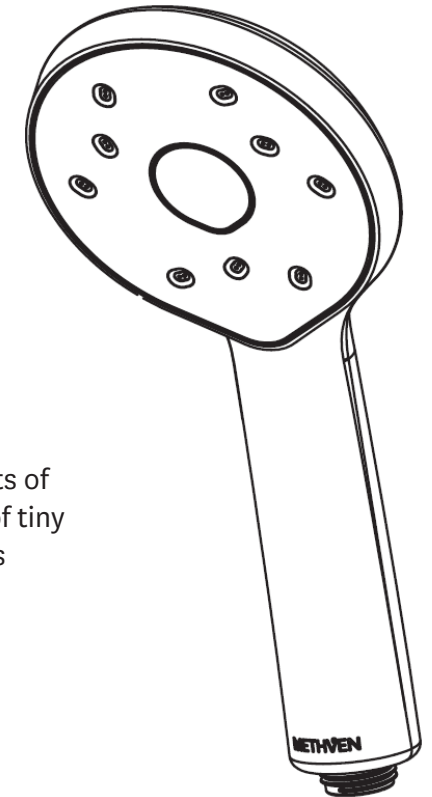
Cold: 5°C

Inlet Connections:

1/2" BSP

Features:

- Water efficient without compromising performance
- Satinjet® technology - twin jets of water collide into thousands of tiny droplets to deliver voluminous shower coverage

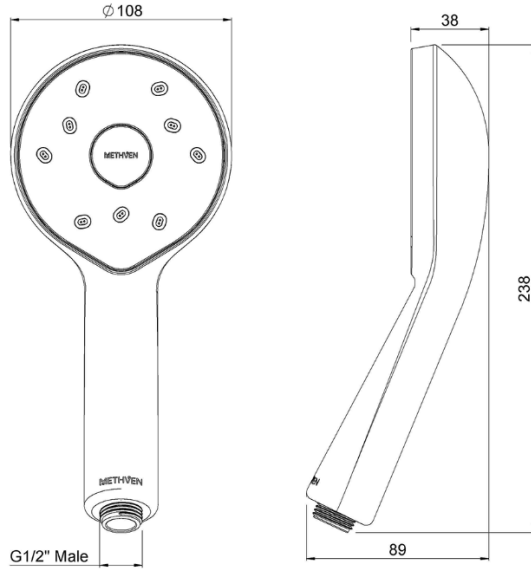


METHVEN
www.methven.com EST 1886

The Methven Eco Shower Head is optimized to provide a full and invigorating shower experience using only 5.5lpm.

1 Function Handset

Line Drawing



Please keep these instructions for future reference and request of replacement parts.

General Safety Information

Please read all of the instructions before installation.

Methven recommends this product is installed by a competent person in compliance with all relevant regional regulations.

It is the responsibility of the installer to assess the installation environment for hazards and incorporate back flow prevention where deemed necessary.

It is the responsibility of the installer to ensure a waterproof seal is achieved, after installation all connections must be checked for leaks.

Care should be taken when connecting handset to hose to not damage the flow restrictor in the handset.

All outlets used primarily for personal hygiene shall deliver water at a safe temperature as per regional regulations.

This product must not be modified in any way as this will invalidate the guarantee.

Remove all packaging and check the components for damage before starting installation.

Installation Instructions

To change an existing shower head, unscrew the connector/swivelling cone to remove the shower head from the hose.

Be sure to hold the hose upright to not don't lose the washer inside the hose connector that creates a seal with the shower head.

Remove any debris.

Attach the new Eco shower head and screw on tightly.

Turn on the shower to check for leaks.

Installation diagram

(Handset may differ from image shown)

