

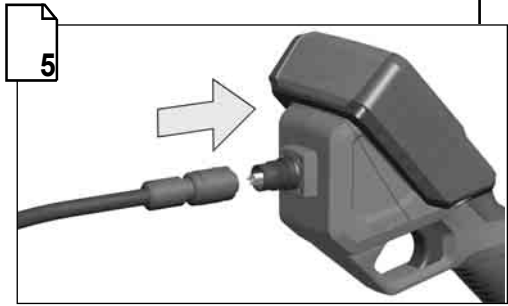
Milwaukee[®]

Nothing but **HEAVY DUTY**.[®]




M12 ICAV3

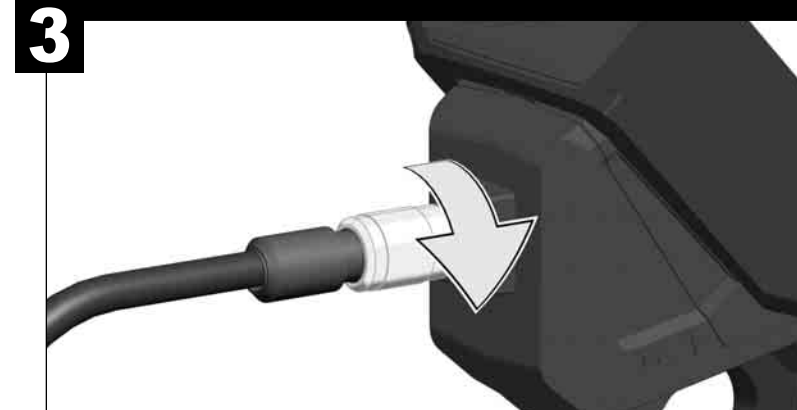
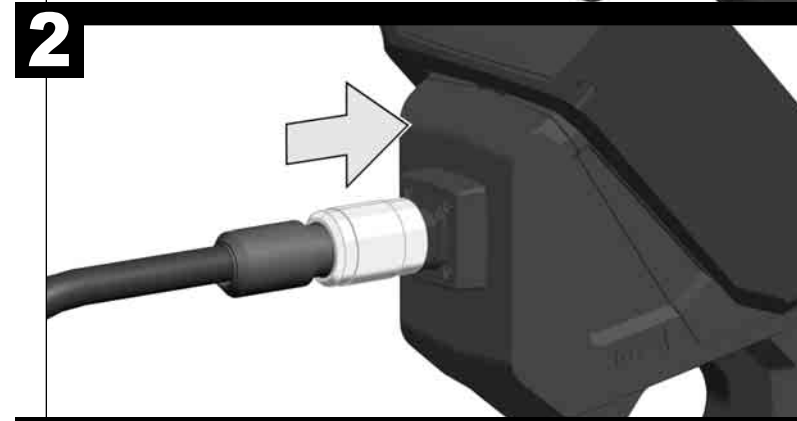
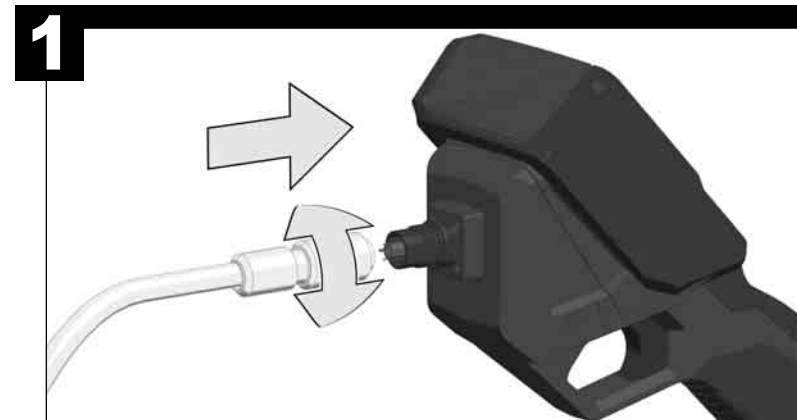
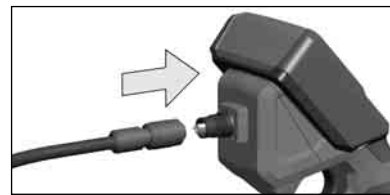
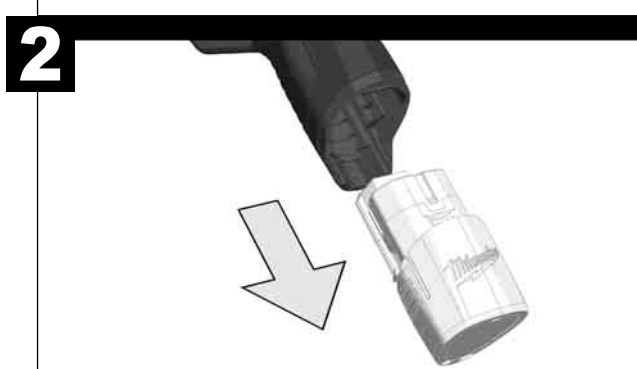
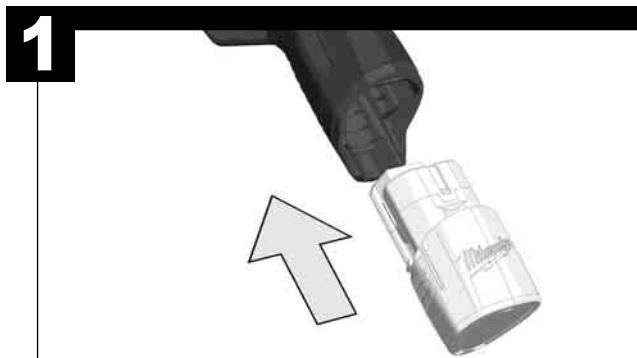
Original instructions



ENGLISH Description of Buttons, Basic Settings, Operation Important Informations and Notes 14



 Remove the battery pack before starting any work on the machine.





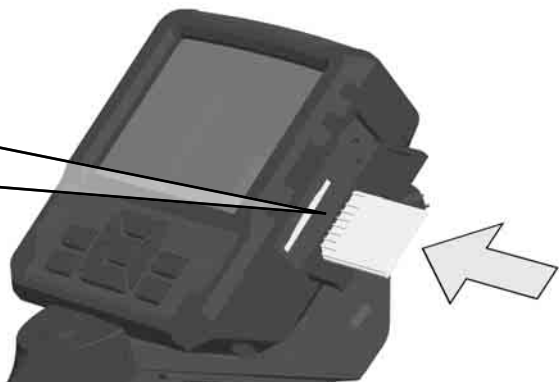
USB



1



2



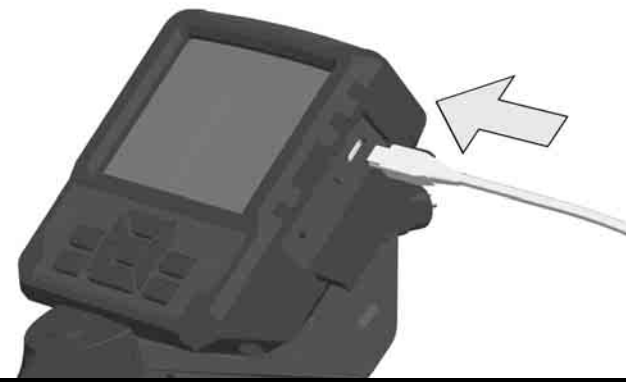
3



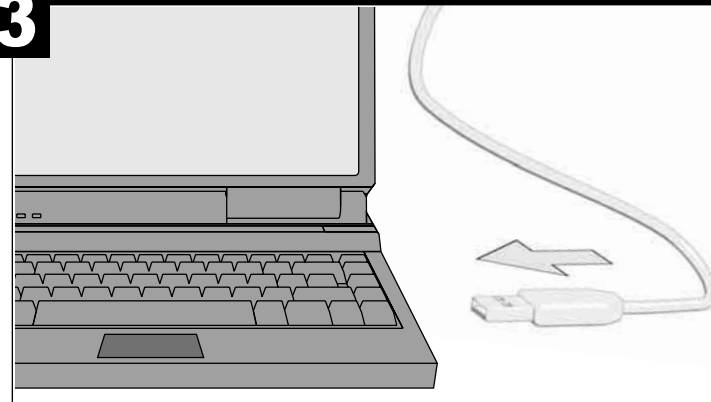
1



2



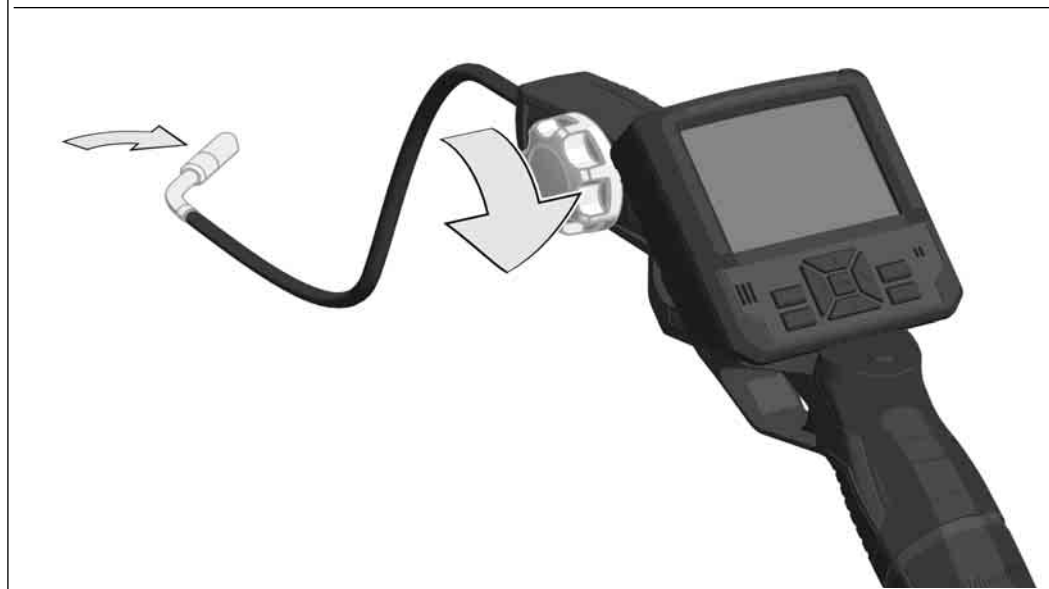
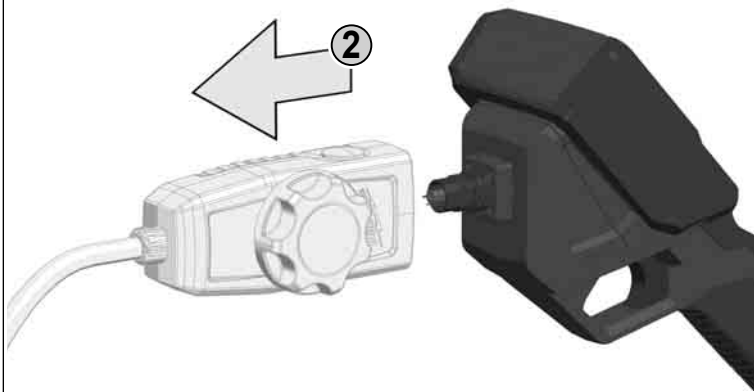
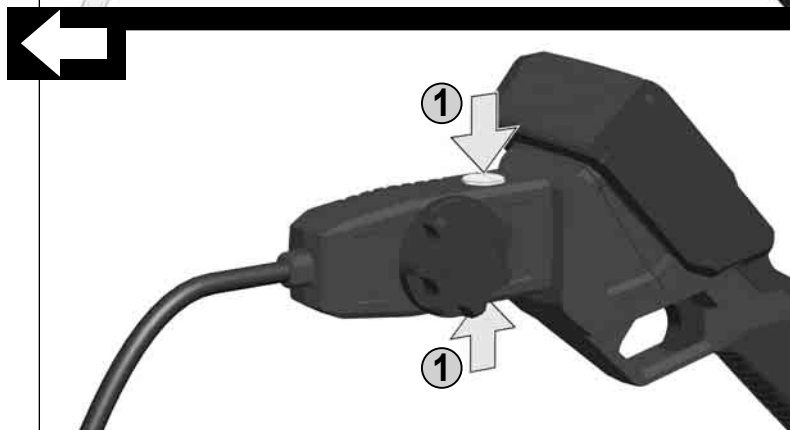
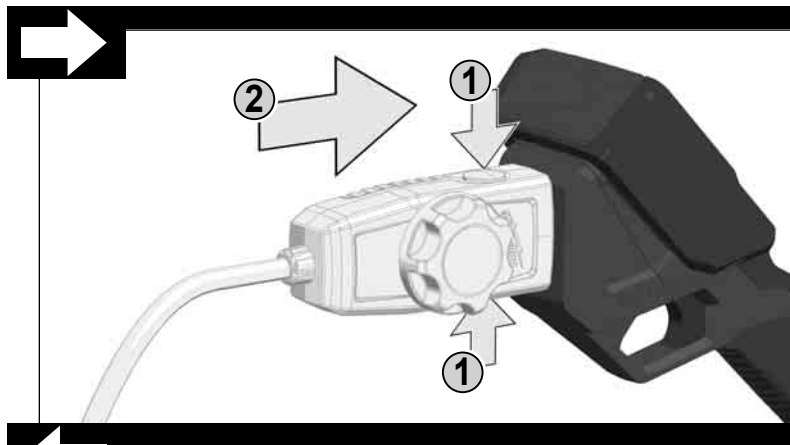
3





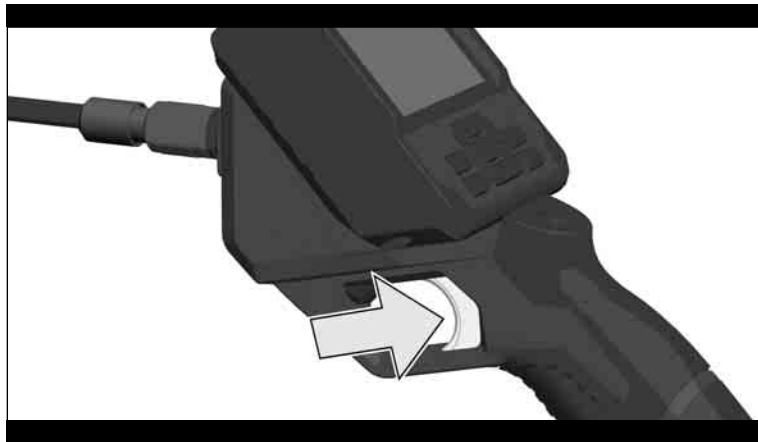
When separated, the display runs off of an internal rechargeable battery. To recharge the display, connect it to the handle/battery pack, or to a power source via USB cable. Further information see text section.



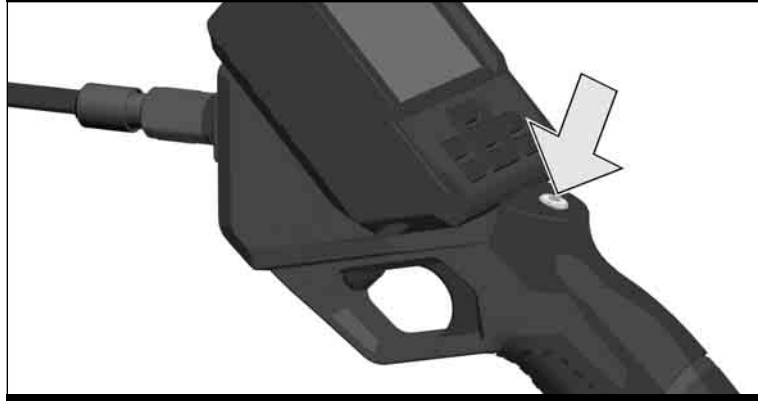




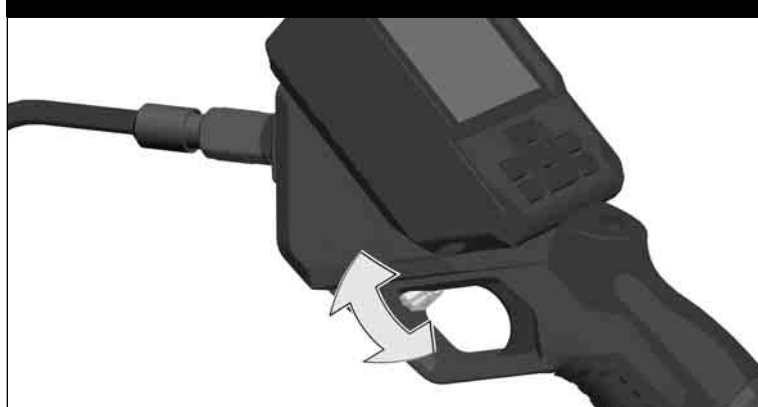
Trigger to take a photo or start a video



Handle power button



LED Brightnes dial



TECHNICAL DATA**INSPECTION CAMERA****M12 ICAV3**

Battery voltage.....	12 V
Weight with battery	720 g
Camera cable length	2744 mm
Camera head.....	12.4 mm
Screen resolution.....	320 x 240 pixel
Picture resolution.....	30 M Pixel
Max. zoom.....	4x
Max. battery life (1,5 Ah).....	4,5 h
Type of memory card.....	SD-Card
Max. memory size SD-card	32 GB
Frequency band(s)	2414, 2432, 2450, 2468 MHz
Maximum radio-frequency power transmitted in the frequency band(s).....	5,07 dBm

⚠ WARNING! Read all safety warnings and all instructions. Failure to follow the warnings and instructions may result in electric shock, fire and/or serious injury. Save all warnings and instructions for future reference.

SAFETY INSTRUCTIONS INSPECTION CAMERA

Switch off the mains fuse for the relevant area when working behind walls.

When working in pipes, make sure that these are not live or electrically charged. The pipes must not contain any liquid. The camera and the device must not come into contact with liquid.

The camera and the cable must not come into contact with oil, gas or other materials capable of causing corrosion.

To reduce the risk of explosion, electric shock and property damage, always check the work area before beginning a job. Do not allow cable to contact electrical, chemical, or moving hazards.

Auto use: Turn off the engine and allow to cool before beginning inspection. Do not allow the visual inspection camera or cable to contact oil, gas, or other corrosive materials.

To reduce the risk of damage to the tool, do not use excessive force or "kink" the cable. Do not use in areas where vi-sual inspection camera and cable will contact corrosive or oily substances.

Do not use the cable to clear clogs or move obstructions. This is not a drain cleaner!

SAFETY INSTRUCTIONS BATTERY

Do not try to replace the battery pack if the surface of the instrument is wet.

Disconnect all the cords and cables from the object under test and power off the instrument before removing or inserting the battery pack.

Do not dispose of used battery packs in the household refuse or by burning them. Milwaukee Distributors offer to retrieve old batteries to protect our environment.

Do not store the battery pack together with metal objects (short circuit risk).

Use only System M 12 chargers for charging System M 12 battery packs. Do not use battery packs from other systems.

Battery acid may leak from damaged batteries under extreme load or extreme temperatures. In case of contact with battery acid wash it off immediately with soap and water. In case of eye contact rinse thoroughly for at least 10 minutes and immediately seek medical attention.

Warning! To reduce the risk of fire, personal injury, and product damage due to a short circuit, never immerse your tool, battery pack or charger in fluid or al-low a fluid to flow inside them.

Corrosive or conductive fluids, such as seawater, certain industrial chemicals, and bleach or bleach containing products, etc., Can cause a short circuit.

This appliance is not intended to be used or cleaned by persons with reduced physical, sensory or mental capabilities, or lack of experience or knowledge, unless they have been given instructions concerning the safe use of the appliance by a person legally responsible for their safety. They should be supervised whilst using the appliance. Children shall not use, clean or play with this appliance, which when not in use should be secured out of their reach.

SPECIFIED CONDITIONS OF USE

The digital inspection camera can be used to view and inspect areas that are hard to access. It is ideal for the rapid and simple localisation of problems and objects without having to open or damage items. The recordings can be saved as images or movies on the memory card.

Appliance with strong radiated disturbances may be influence display function, it would be self-recovered when interference was removed.

Do not use this product in any other way as stated for normal use.

RADIO FREQUENCY INTERFACE REQUIREMENTS - RELATED TO EUROPEAN INSTALLATION

Note: This equipment has been tested and found to comply with the limits for a EN 300 440 v2.1.1 receiver Category 3.

These limits are designed to provide reasonable protection against harmful interference in a residential installation.

This equipment is sensitive to other equipment that intentionally generates, radio frequency energy in the 2414, 2432, 2450, 2468MHz that may conduce to the instability to use the Remote Control on it. However there is no guarantee that interference will not occur in a particular installation. If this equipment suffer from the harmful interference from another radio device to radio this can be determined by turning the respective equipment off and on, the user is encouraged to try to correct the interference by one or more of the following measures:

Turn off the disturbance equipment

Increase the separation between the disturbance equipment

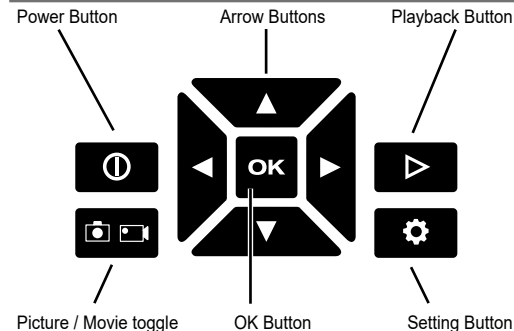
Consult the dealer or an experienced radio technician for help

EC-DECLARATION OF CONFORMITY

Hereby, Techtronic Industries GmbH declares that the radio equipment type M12 ICAV3 is in compliance with Directive 2014/53/EU. The full text of the EU declaration of conformity is available at the following internet address: <http://services.milwaukeeool.eu>.

GB-DECLARATION OF CONFORMITY

Hereby, Techtronic Industries GmbH declares that the radio equipment type M12 ICAV3 is in compliance with Directive S.I. 2017/1206 (as amended). The full text of the GB declaration of conformity is available at the following internet address: <http://services.milwaukeeool.eu>.

BUTTONS**SETTINGS**

To enter the settings menu, turn on the tool and press the Settings button. Use the ◀▶ buttons to move through the setting menu.

MENU	SELECTIONS
MICROPHONE	ON/OFF
LCD BRIGHTNESS	LOW/MEDIUM/HIGH
DATE	MM/DD/YY
TIME	HR/MIN AM/PM
LANGUAGE	MULTIPLE SELECTIONS
DELETE ALL	CANCEL/DELETE ALL
VERSION	Display the software version.

CHARGING THE DISPLAY

When the display and handle are connected, the battery pack will power both the handle and the display. When separated, the display runs off of an internal rechargeable battery. To recharge the display, connect it to the handle/battery pack, or to a power source via USB cable. Always store the display docked on the handle. If the display shuts down due to low power, recharge for at least 30 minutes before use.

DOWNLOADING TO A COMPUTER

Insert the USB cable into the port on the side of the display. Connect the USB end into the USB port on your computer. NOTE: If you are unable to view the videos on your computer it may be because your computer is missing the DIVX or XVID codec. The AVI file is recorded in MPEG4 format and your computer needs a DIVX or XVID codec to decode and play it. Download the appropriate codec to view the images/videos.

TURNING ON/OFF

When the display is docked on the handle, press either Power button ⏻ to turn the tool on. Press and hold either Power button ⏻ to turn the tool off. When the display and handle are separated, use the individual power buttons to turn each piece on and off.

FUEL GAUGE

When the display is docked on the handle, the M12™ battery pack fuel gauge is displayed in the upper right corner. When the display is undocked from the handle, two fuel gauges are displayed. The left gauge shows the remaining charge of the display's internal battery. The right gauge shows the remaining charge of the M12™ battery pack. Each block in the fuel gauges represents approximately 1/4 of the battery's life.

USING THE HANDLE AND DISPLAY

To separate the display from the handle grasp each part firmly and slide the display away from the battery pack. To reconnect, slide handle and display together.

NOTE: The error message "NO IMAGE SIGNAL" is displayed if the handle is not powered on, the handle is out of range of the display (approximately 15') or the cable is not fully connected to the handle. Also, interference may occur when multiple tools are in use in close proximity.

USING THE PIVOTVIEW™ CABLE (ACCESSORY)

See picture section.

If the desired view is not achieved, press the release buttons and rotate the pivot cable 90°. Reattach to the socket. Bend or manipulate the cable as needed.

TAKING IMAGES/VIDEOS

Use the Image/Video button 📷 to toggle between taking images or videos. The icon of the selected mode is displayed in the upper left corner of the display.

Adjust the cable to best fit the opening. After checking the workspace for hazards, insert the cable.

Use the ▲▼ buttons to zoom in or out on the image.

Use the ◀▶ buttons to rotate the image in 90° increments.

Use the LED brightness dial to increase/decrease the light.

To take an image or begin a video, press the OK button or pull the trigger.

To end the video, press OK or pull the trigger again.

To save the image/video, press OK or pull the trigger. The image/video is saved onto the memory card. Or, use the ◀▶ buttons to select Cancel.

NOTE: During a video recording, sound is also recorded at the display if the MICROPHONE is ON in Settings.

REVIEW

Press the Review button ▶ to view the saved images/videos.

Use the ◀▶ buttons to move through the stored images/videos.

Press the OK button to select an image/video.

Use the ▲▼ buttons to select one of the following:

EDIT	Zoom or rotate an image. Use the ▲▼ buttons to zoom. Use the ◀▶ buttons to rotate in 90° increments.
PLAY	Play back a video. Use OK to Pause/Play. Use the ◀▶ buttons to Rewind/Fast Forward.
DELETE	Permanently delete an image/video.
FLAG	Flag an image/video for future use. An "F" is added to the front of the filename for ease of locating when connected to a computer.
DONE	Return to Review screen

RESET BUTTON

Use the reset button to restore to factory settings.

BATTERIES

Battery packs which have not been used for some time should be recharged before use.

Temperatures in excess of 50°C (122°F) reduce the performance of the battery pack. Avoid extended exposure to heat or sunshine (risk of overheating).

The contacts of chargers and battery packs must be kept clean.

For an optimum life-time, the battery packs have to be fully charged, after used.

To obtain the longest possible battery life remove the battery pack from the charger once it is fully charged.

For battery pack storage longer than 30 days:

Store the battery pack where the temperature is below 27°C and away from moisture

Store the battery packs in a 30% - 50% charged condition
Every six months of storage, charge the pack as normal.

BATTERY PACK PROTECTION LI-ION BATTERY

The battery pack has overload protection that protects it from being overloaded and helps to ensure long life.

Under extreme stress the battery electronics switch off the machine automatically. To restart, switch the machine off and then on again. If the machine does not start up again, the battery pack may have discharged completely. In this case it must be recharged in the battery charger.

TRANSPORTING LITHIUM BATTERIES

Lithium-ion batteries are subject to the Dangerous Goods Legislation requirements.

Transportation of those batteries has to be done in accordance with local, national and international provisions and regulations.

- The user can transport the batteries by road without further requirements.
- Commercial transport of Lithium-Ion batteries by third parties is subject to Dangerous Goods regulations. Transport preparation and transport are exclusively to be carried out by appropriately trained persons and the process has to be accompanied by corresponding experts.

When transporting batteries:

- Ensure that battery contact terminals are protected and insulated to prevent short circuit.
- Ensure that battery pack is secured against movement within packaging.
- Do not transport batteries that are cracked or leak.

Check with forwarding company for further advice

MAINTENANCE

Always keep the camera lens clean.

Use only Milwaukee accessories and Milwaukee spare parts. Should components need to be replaced which have not been described, please contact one of our Milwaukee service agents (see our list of guarantee/service addresses).

If needed, an exploded view of the tool can be ordered. Please state the Article No. as well as the machine type printed on the label and order the drawing at your local service agents or directly at: Techtronic Industries GmbH, Max-Eyth-Straße 10, 71364 Winnenden, Germany.

SYMBOLS55



CAUTION! WARNING! DANGER!



Remove the battery pack before starting any work on the machine.



Please read the instructions carefully before starting the machine.



Always wear goggles when using the machine.



Accessory - Not included in standard equipment, available as an accessory.



Do not dispose of waste batteries, waste electrical and electronic equipment as unsorted municipal waste. Waste batteries and waste electrical and electronic equipment must be collected separately.

Waste batteries, waste accumulators and light sources have to be removed from equipment. Check with your local authority or retailer for recycling advice and collection point.

According to local regulations retailers may have an obligation to take back waste batteries and Waste electrical and electronic equipment free of charge.

Your contribution to re-use and recycling of waste batteries and waste electrical and electronic equipment helps to reduce the demand of raw materials.

Waste batteries, in particular containing lithium and waste Electrical and electronic equipment contain valuable, recyclable materials, which can adversely impact the environment and the human health, if not disposed of in an environmentally compatible manner.

Delete personal data from waste equipment, if any.



European Conformity Mark



British Conformity Mark



Ukraine Conformity Mark



EurAsian Conformity Mark

Copyright 2022

Techtronic Industries GmbH
Max-Eyth-Str. 10
71364 Winnenden
Germany

+49 (0) 7195-12-0

www.milwaukeeetool.eu

Techtronic Industries (UK) Ltd
Parkway
Marlow, SL7 1YL
UK



(04.22)

4100 4147 84