

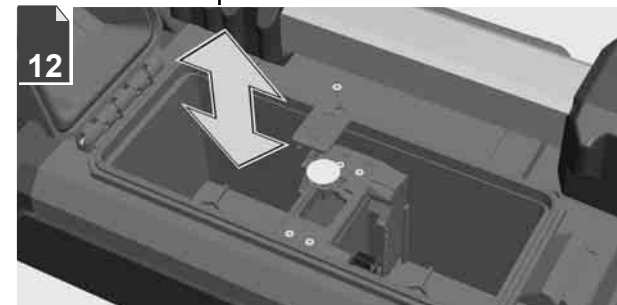
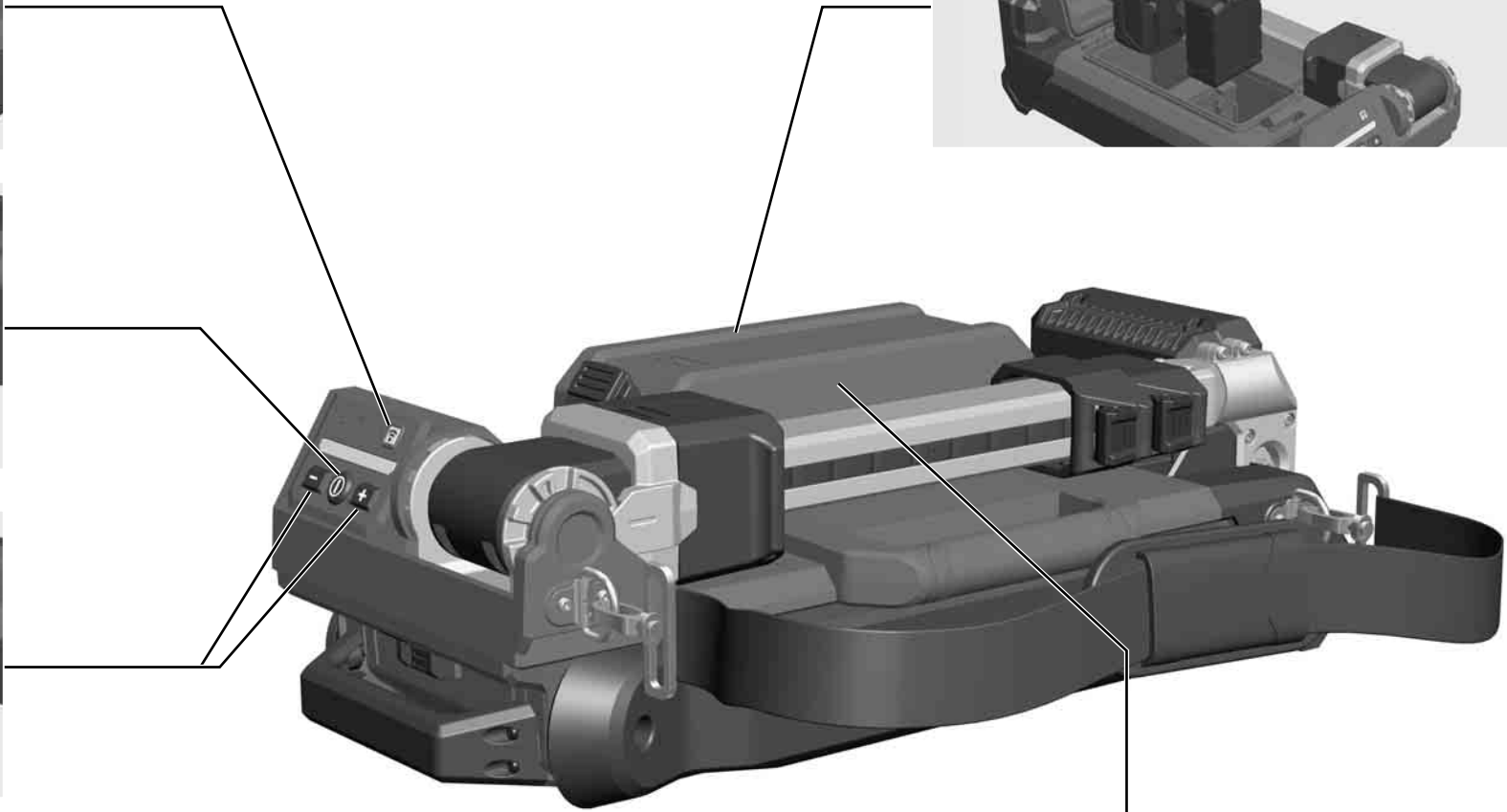
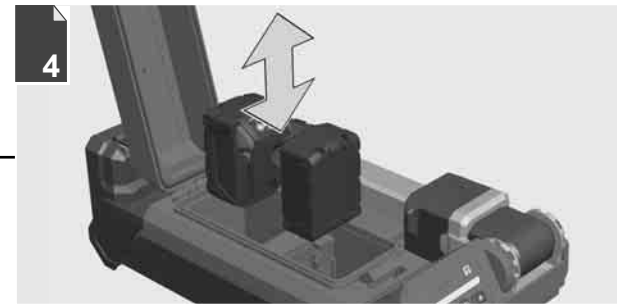
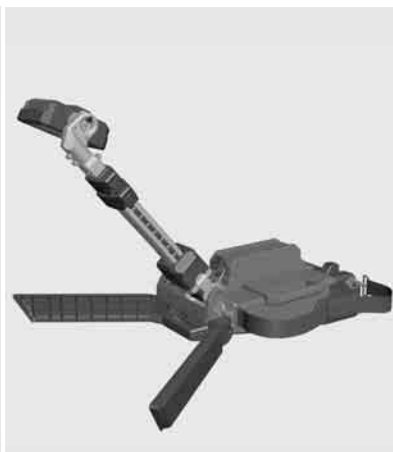
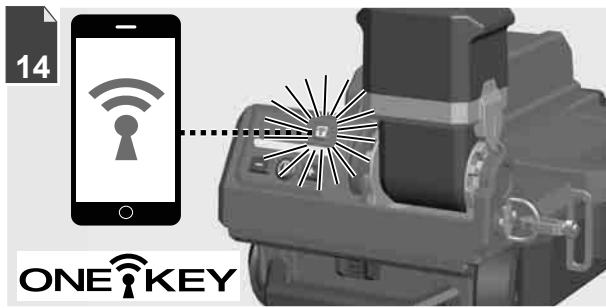
Milwaukee[®]

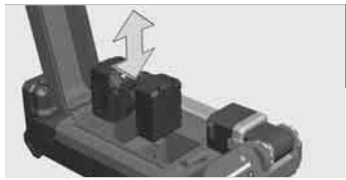
Nothing but **HEAVY DUTY**.[®]




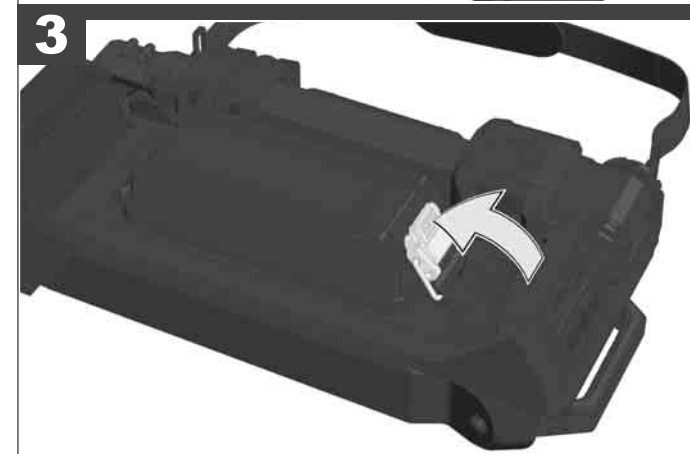
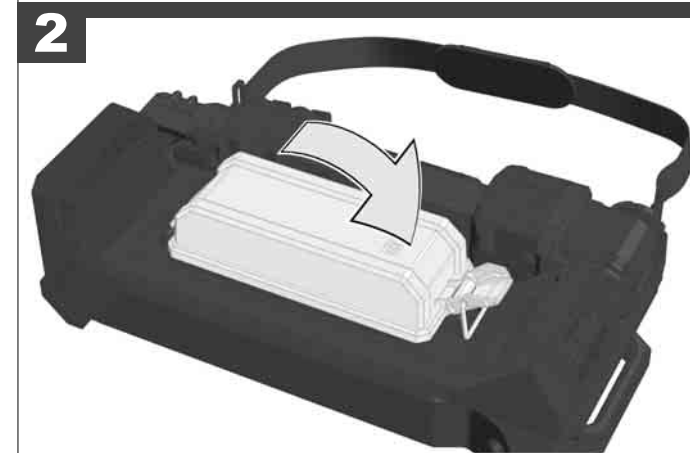
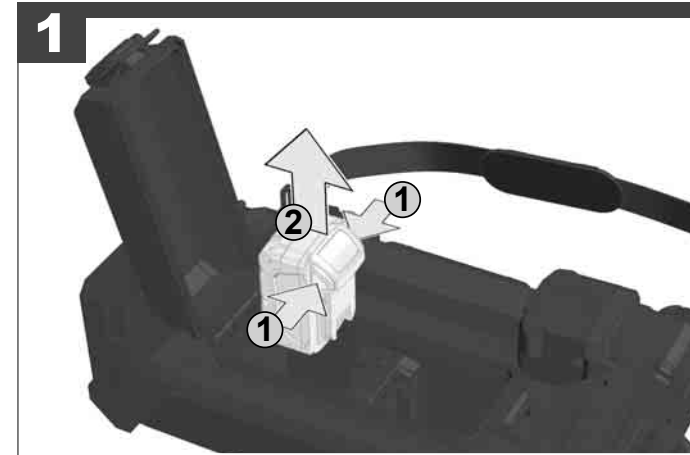
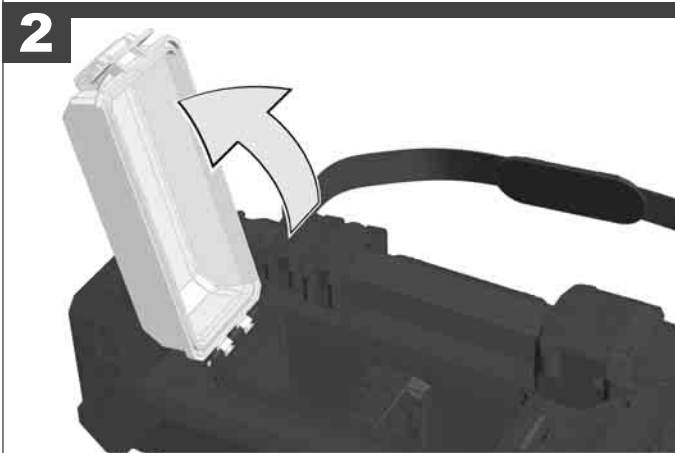
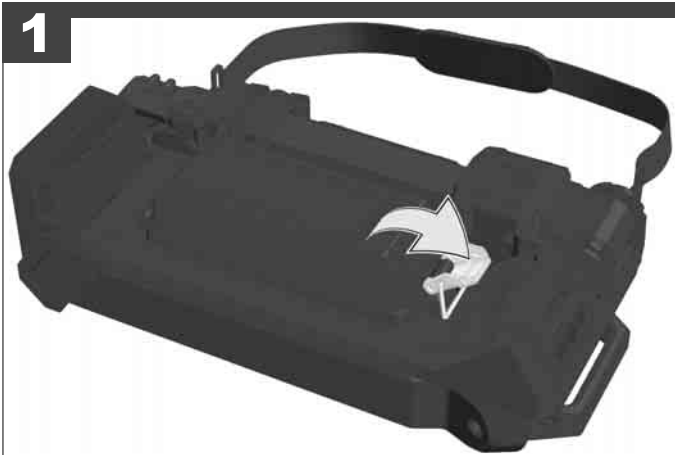
M18 ONERSAL

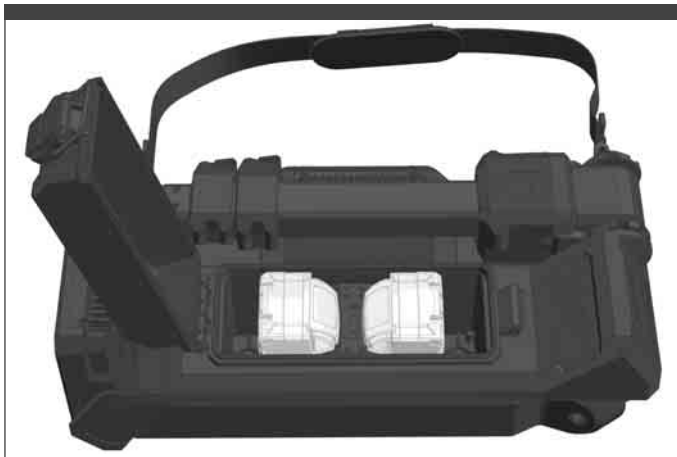
Original instructions



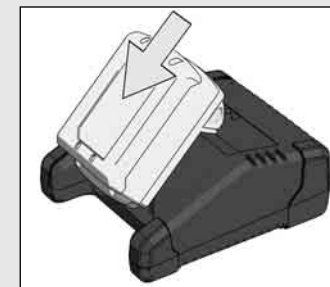


 Remove the battery pack before starting any work on the machine.





2 Batterie packs double the lighting time. If one battery pack is empty, the device automatically switches to the other battery pack.

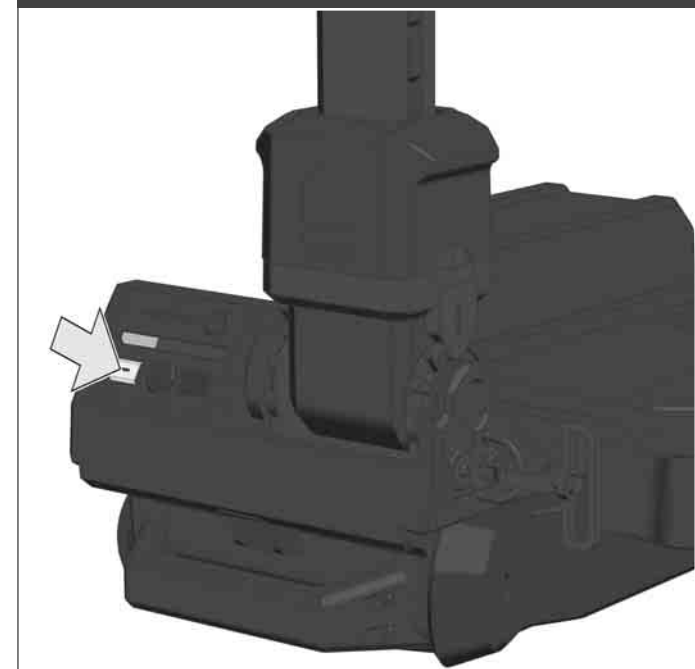
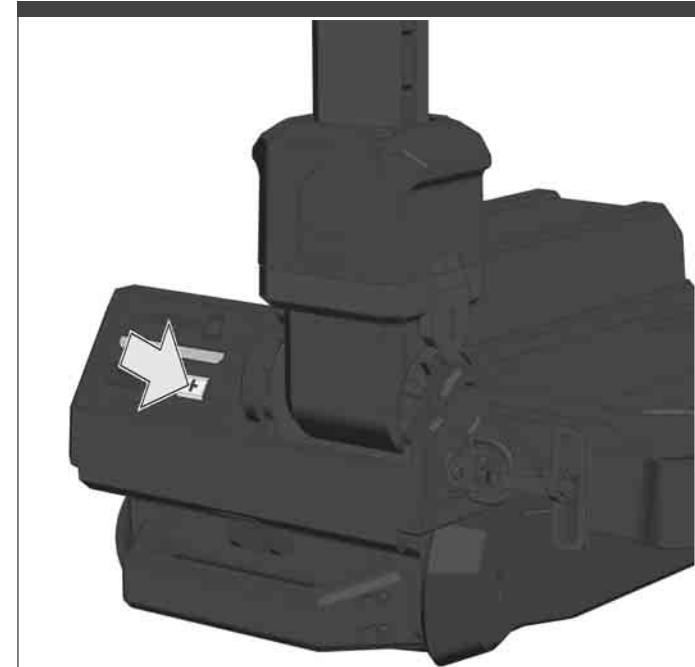
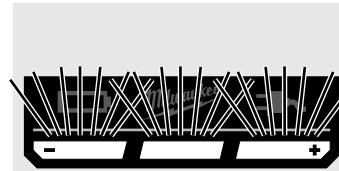
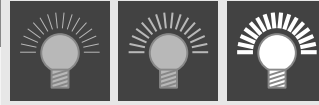
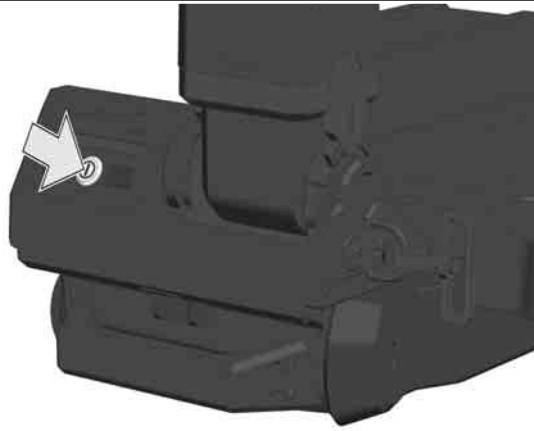
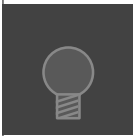




ON

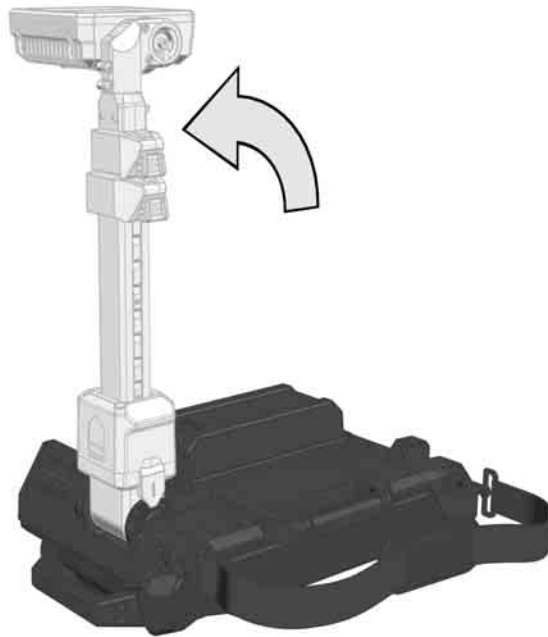


OFF

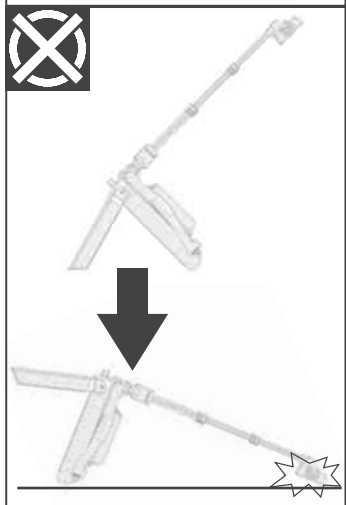
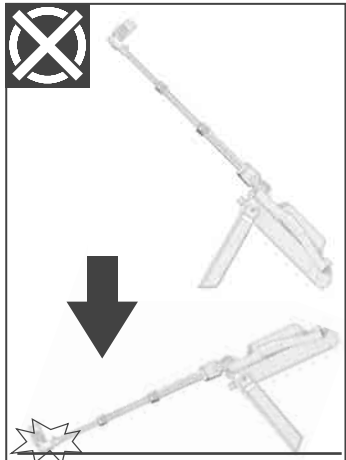
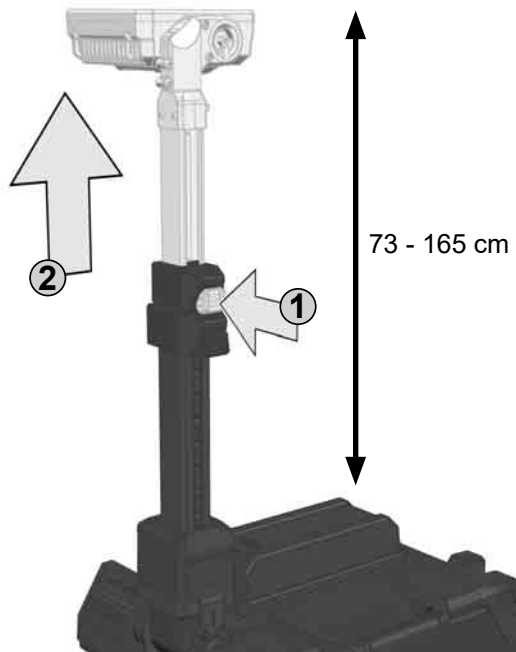




1



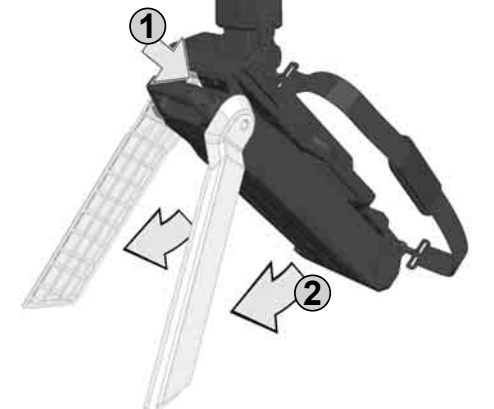
2

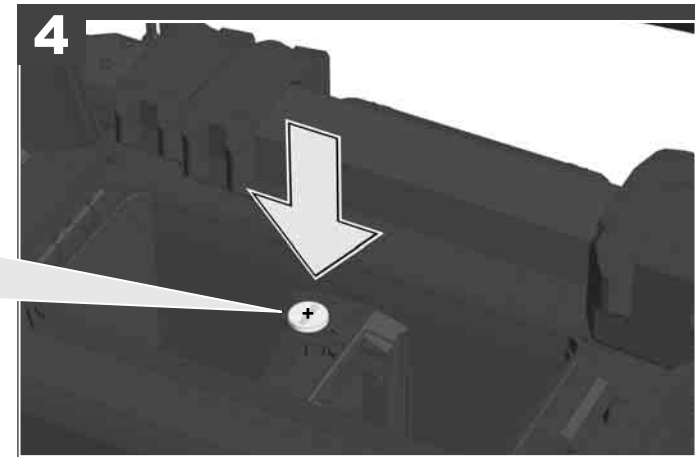
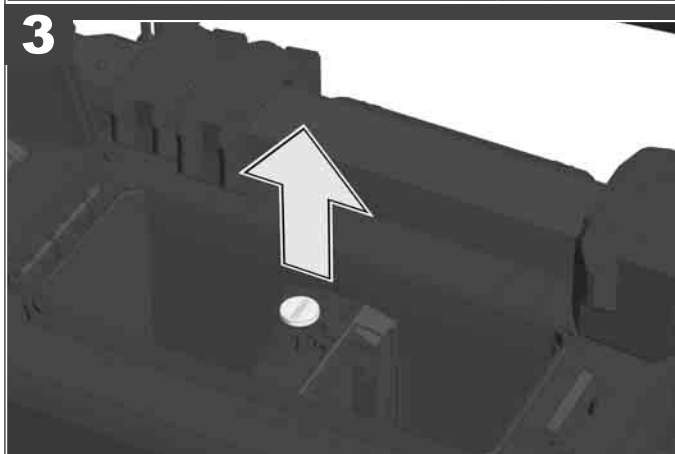
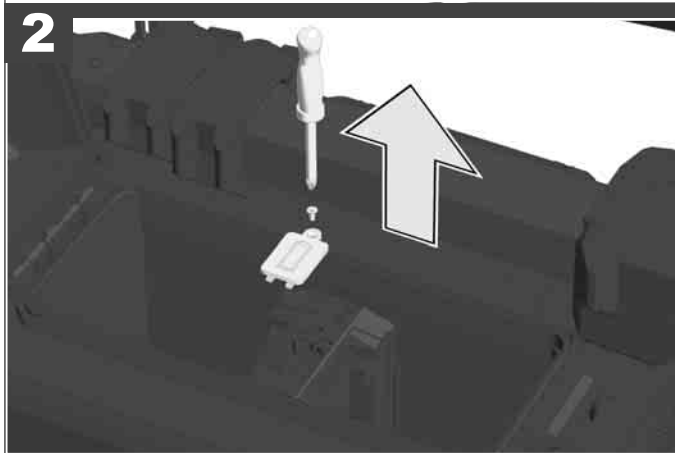
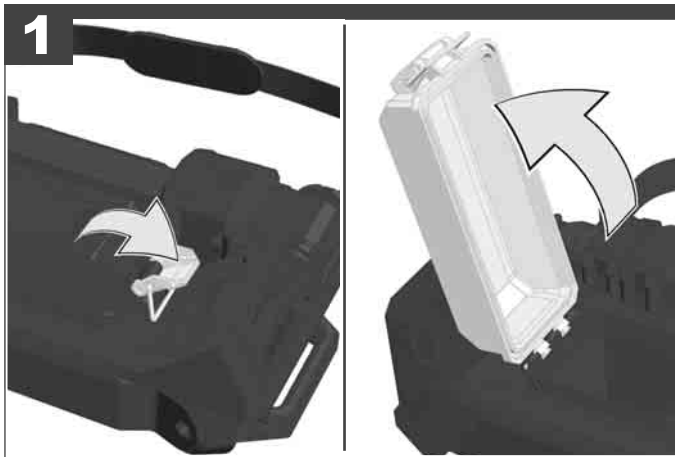
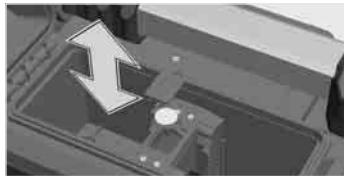


3

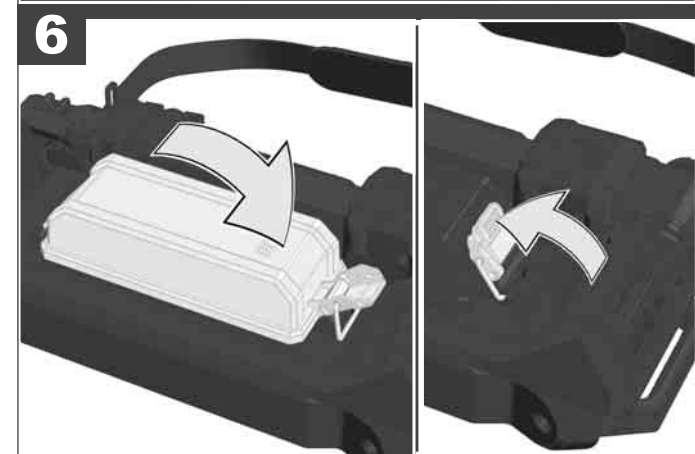
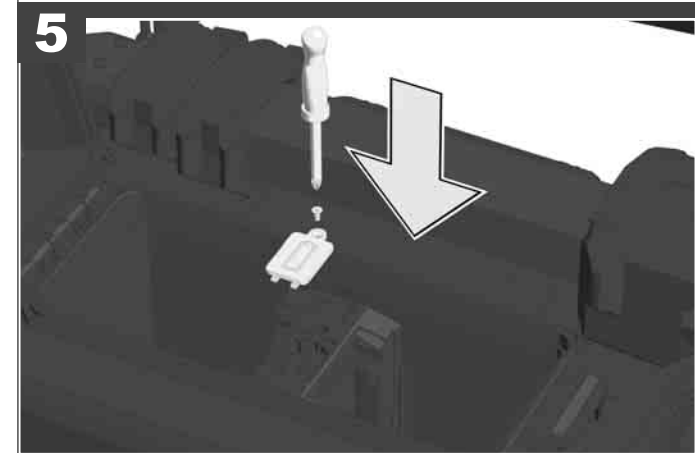


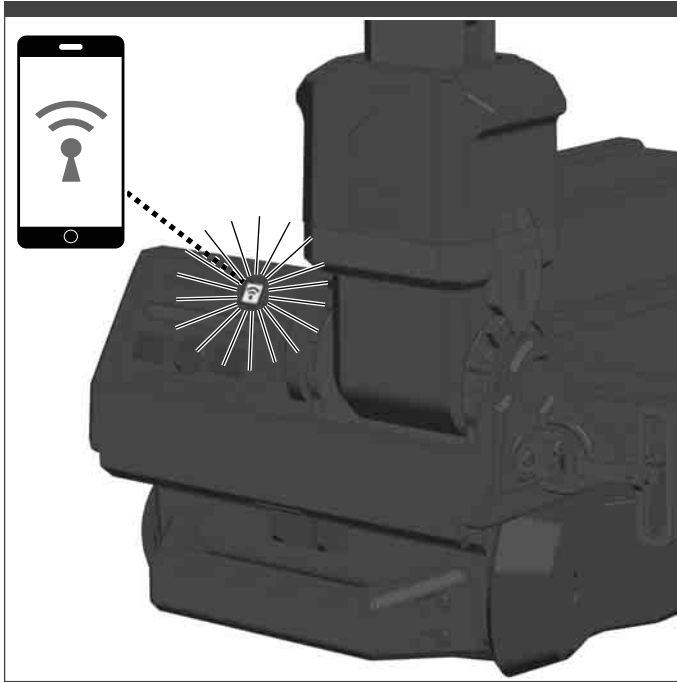
4





3V CR2032
Coin Cell





TECHNICAL DATA	BATTERY-LAMP	M18 ONERSAL
Battery voltage.....		18 V
Rated power input.....		46 W
Lighting time with two fully charged batteries (9.0 Ah)		
Mode 3 high level.....		7 h
Mode 2 med level.....		12,5 h
Mode 1 low level.....		26 h
Luminous flux		
High level.....		5400 lm
Med level.....		3100 lm
Low level.....		1600 lm
Colour rendering index (CRI).....		70
Colour temperature.....		4000 K
Frequency band(s) of Bluetooth.....		2402-2480 MHz
Radio-frequency power.....		1,8 dBm
Bluetooth version.....		4.0BT signal mode
Weight without battery.....		8,7 kg
Weight according EPTA-Procedure 01/2014 (2.0 Ah).....		9,3 kg
Weight according EPTA-Procedure 01/2014 (5.0 Ah).....		10,1 kg
Weight according EPTA-Procedure 01/2014 (9.0 Ah).....		10,9 kg
Protection class.....		IP67

⚠ WARNING Read all safety warnings and all instructions. Failure to follow the warnings and instructions may result in electric shock, fire and/or serious injury. Save all warnings and instructions for future reference.

⚠ SAFETY INSTRUCTIONS

Remove the battery pack before starting any work on the appliance.

Do not dispose of used battery packs in the household refuse or by burning them. Milwaukee Distributors offer to retrieve old batteries to protect our environment.

Do not store the battery pack together with metal objects (short circuit risk).

Use only compatible Milwaukee chargers from the same battery platform for charging battery packs. Do not use battery packs from other systems.

Battery acid may leak from damaged batteries under extreme load or extreme temperatures. In case of contact with battery acid wash it off immediately with soap and water. In case of eye contact rinse thoroughly for at least 10 minutes and immediately seek medical attention.

Warning: Do not direct the light beam at persons or animals and do not stare into the light beam yourself (not even from a distance). Staring into the light beam may result in serious injury or vision loss.

The light source of this luminaire is not replaceable; when the light source reaches its end of life the whole luminaire shall be replaced.

⚠ WARNING This device contains a lithium button/coin cell battery. A new or used battery can cause severe internal burns and lead to death in as little as 2 hours if swallowed or enters the body. Always secure the battery cover. If it does not close securely, stop using the device, remove the batteries, and keep it away from children. If you think batteries may have been swallowed or entered the body, seek immediate medical attention.

Caution – this product is provided with cooling openings in the bottom enclosure. Only install this luminaire on a surface that will not allow accumulation of water into the housing. Keep the product away from puddles, etc.

Warning! To reduce the risk of fire, personal injury, and product damage due to a short circuit, never immerse your tool, battery pack or charger in fluid or allow a fluid to flow inside them. Corrosive or conductive fluids, such as seawater, certain industrial chemicals, and bleach or bleach containing products, etc., can cause a short circuit.

SPECIFIED CONDITIONS OF USE

The battery lamp can be used as lighting independently of a mains power supply.

Do not use this product in any other way as stated for normal use.

EC-DECLARATION OF CONFORMITY

Hereby, Techtronic Industries GmbH declares that the radio equipment type M18 ONERSAL is in compliance with Directive 2014/53/EU. The full text of the EU declaration of conformity is available at the following internet address: <http://services.milwaukeeetool.eu>

GB-DECLARATION OF CONFORMITY

Hereby, Techtronic Industries GmbH declares that the radio equipment type M18 ONERSAL is in compliance with Directive S.I. 2017/1206 (as amended). The full text of the GB declaration of conformity is available at the following internet address: <http://services.milwaukeeetool.eu>

ONE-KEY™

To learn more about the ONE-KEY functionality for this tool, please reference the Quick Start guide included with this product or go to www.milwaukeeetool.com/one-key. To download the ONE-KEY app, visit the App Store or Google Play from your smart device.

Also, when the product experiences ESD, the Bluetooth communication will be disconnected. It needs to be reset manually to recover.

ONE-KEY™ Indicator

Solid Blue	Wireless mode is active and ready to be configured via the ONE-KEY™ app.
Blinking Blue	Tool is actively communicating with the ONE-KEY™ app.
Blinking Red	Tool is in security lockout and can be unlocked by the owner via the ONE-KEY™ app.

BATTERIES

Battery packs which have not been used for some time should be recharged before use.

Temperatures in excess of 50°C (122°F) reduce the performance of the battery pack. Avoid extended exposure to heat or sunshine (risk of overheating).

The contacts of chargers and battery packs must be kept clean.

For an optimum life-time, the battery packs have to be fully charged, after used.

To obtain the longest possible battery life remove the battery pack from the charger once it is fully charged.

For battery pack storage longer than 30 days: Store the battery pack where the temperature is below 27°C and away from moisture. Store the battery packs in a 30% - 50% charged condition. Every six months of storage, charge the pack as normal.

TRANSPORTING LITHIUM BATTERIES

Lithium-ion batteries are subject to the Dangerous Goods Legislation requirements.

Transportation of those batteries has to be done in accordance with local, national and international provisions and regulations.

- The user can transport the batteries by road without further requirements.
- Commercial transport of Lithium-Ion batteries by third parties is subject to Dangerous Goods regulations. Transport preparation and transport are exclusively to be carried out by appropriately trained persons and the process has to be accompanied by corresponding experts.

When transporting batteries:

- Ensure that battery contact terminals are protected and insulated to prevent short circuit.
- Ensure that battery pack is secured against movement within packaging.
- Do not transport batteries that are cracked or leak.

Check with forwarding company for further advice












MAINTENANCE

The light source of this luminaire is not replaceable; when the light source reaches its end of life the whole luminaire shall be replaced.

Use only Milwaukee accessories and spare parts. Should components need to be replaced which have not been described, please contact one of our Milwaukee service agents (see our list of guarantee/service addresses).

If needed, an exploded view of the tool can be ordered. Please state the machine type printed as well as the six-digit No. on the label and order the drawing at your local service agents or directly at: Techtronic Industries GmbH, Max-Eyth-Straße 10, 71364 Winnenden, Germany.

SYMBOLS

	CAUTION! WARNING! DANGER!
	Please read the instructions carefully before starting the machine.
	Remove the battery pack before starting any work on the machine.
	Do not stare at the operating light source.
	Do not swallow the coin cell battery!
	Class III electrical protection.
	Do not dispose of waste batteries, waste electrical and electronic equipment as unsorted municipal waste. Waste batteries and waste electrical and electronic equipment must be collected separately. Waste batteries, waste accumulators and light sources have to be removed from equipment. Check with your local authority or retailer for recycling advice and collection point. According to local regulations retailers may have an obligation to take back waste batteries and Waste electrical and electronic equipment free of charge. Your contribution to re-use and recycling of waste batteries and waste electrical and electronic equipment helps to reduce the demand of raw materials. Waste batteries, in particular containing lithium and waste Electrical and electronic equipment contain valuable, recyclable materials, which can adversely impact the environment and the human health, if not disposed of in an environmentally compatible manner. Delete personal data from waste equipment, if any.
	European Conformity Mark
	British Conformity Mark
	Ukraine Conformity Mark
	EurAsian Conformity Mark

Copyright 2022

Techtronic Industries GmbH
Max-Eyth-Str. 10
71364 Winnenden
Germany

+49 (0) 7195-12-0

www.milwaukeeetool.eu

Techtronic Industries (UK) Ltd
Parkway
Marlow, SL7 1YL
UK



(04.22)

4100 4148 56