

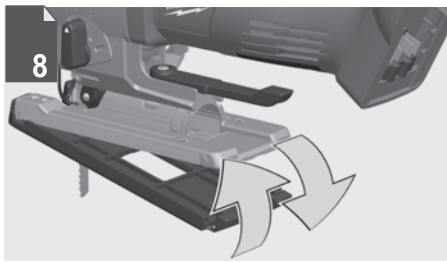
Milwaukee[®]

Nothing but **HEAVY DUTY**[®].

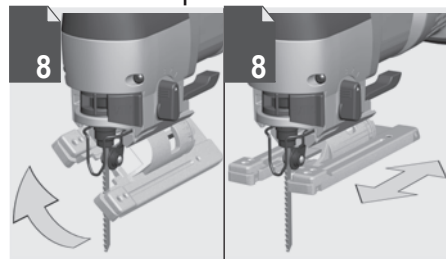
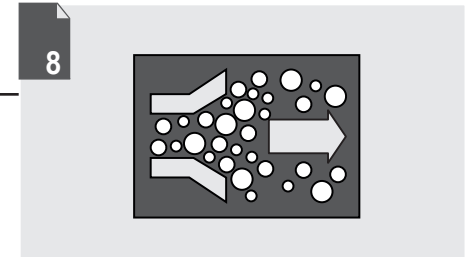
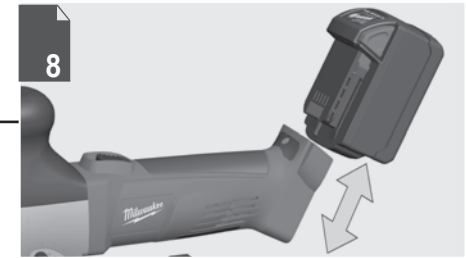
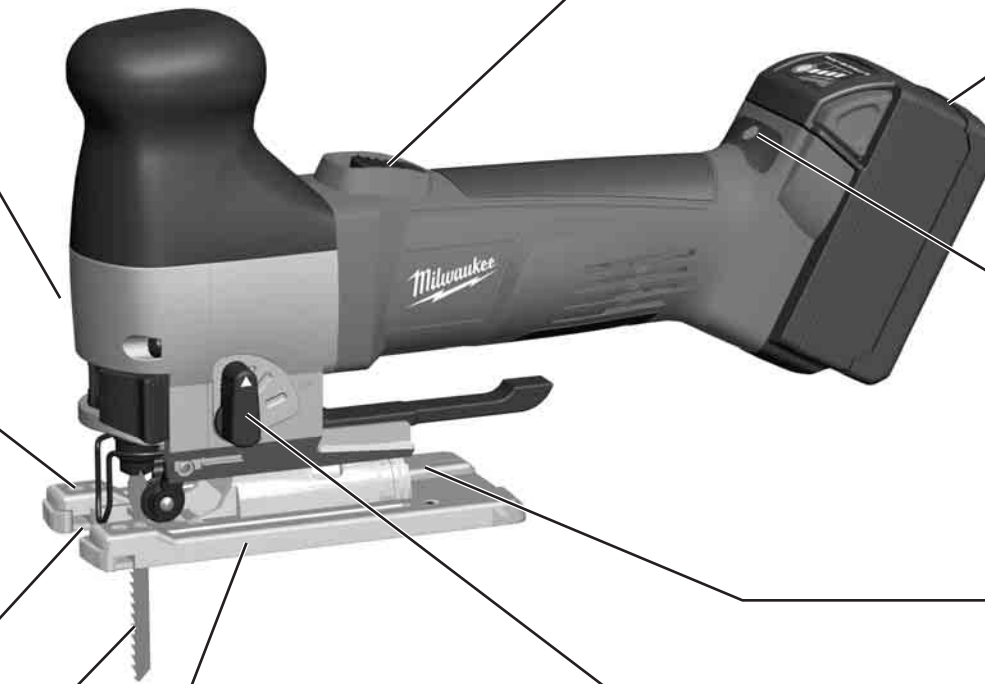
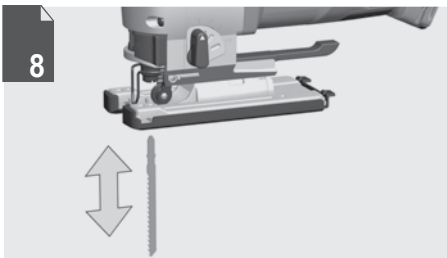
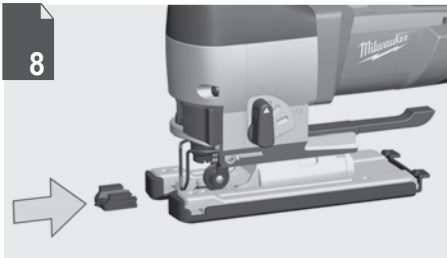
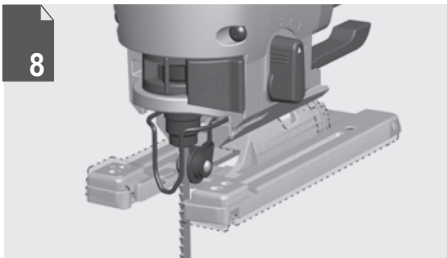
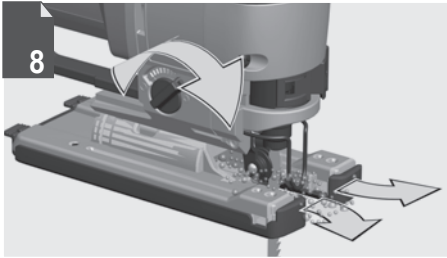
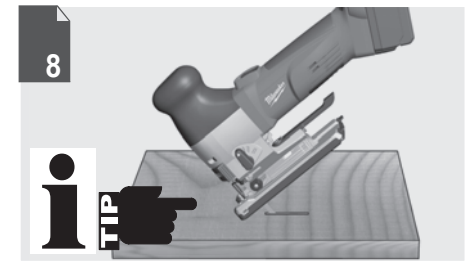


HD18 JSB

Original instructions



20 Text section with Technical Data, important Safety and Working Hints and description of Symbols





Remove the battery pack before starting any work on the machine.

Vor allen Arbeiten an der Maschine den Wechselakku herausnehmen

Avant tous travaux sur la machine retirer l'accu interchangeable.

Prima di iniziare togliere la batteria dalla macchina.

Retire la batería antes de comenzar cualquier trabajo en la máquina.

Antes de efectuar cualquier intervención na máquina retirar o bloco acumulador.

Voor alle werkzaamheden aan de machine de akku verwijderen.

Ved arbejde inden i maskinen, bør batteriet tages ud.

Ta ut vekselbatteriet før du arbeider på maskinen

Drag ur batteripaket innan arbete utföres på maskinen.

Tarkista pistotulppa ja verkkojohto mahdollisilta vaurioilta. Viat saa korjata vain alan erikoismies.

Πριν από κάθε εργασία στη μηχανή αφαιρέστε την ανταλλακτική μπαταρία.

Aletin kendingde bir çalışma yapmadan önce kartuş aküyü çıkarın.

Před zahájením veškerých prací na vrtacím šroubovákú vyjmout výměnný akumulátor.

Pred každou prácou na stroji výmenný akumulátor vytiahnuť.

Przed przystąpieniem do jakichkolwiek prac na elektronarzędziu należy wyjąć wkładkę akumulatorową.

Karbantartás, javítás, tisztítás, stb. előtt az akkumulátort ki kell venni a készülékből.

Pred deli na stroju izvlcite izmenljivi akumulator.

Prije svih radova na stroju izvaditi bateriju za zamjenu.

Pirms mašīnai veikt jebkāda veida apkopes darbus, ir jāizņem arī akumulators.

Prieš atlikdami bet kokius darbus įrenginyje, išimkite keičiamą akumuliatorių.

Enne kõiki töid masina kallal võtke vahetatava aku välja.

Выньте аккумулятор из машины перед проведением с ней каких-либо манипуляций.

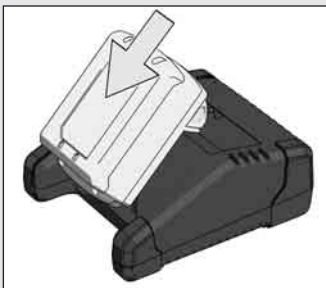
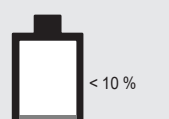
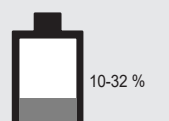
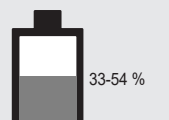
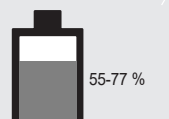
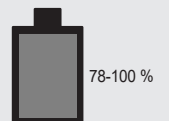
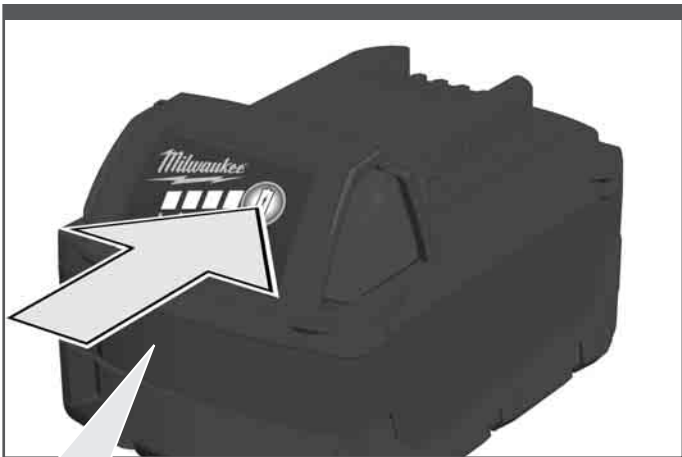
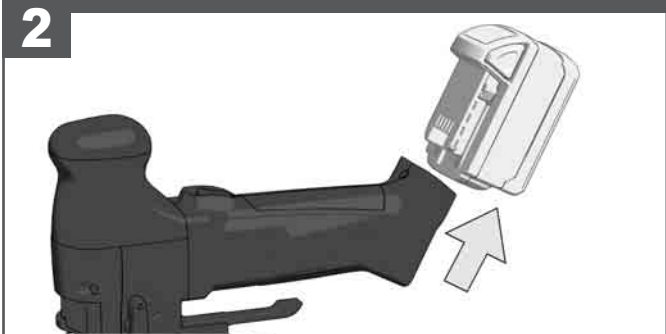
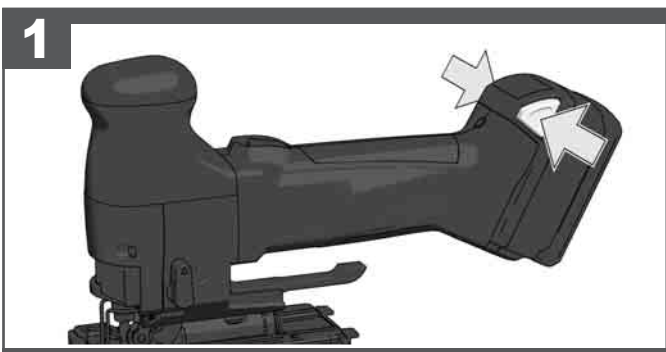
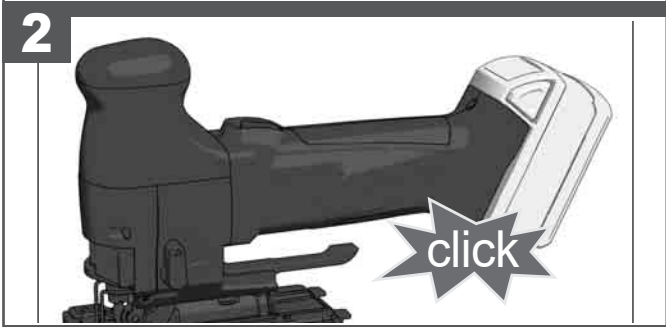
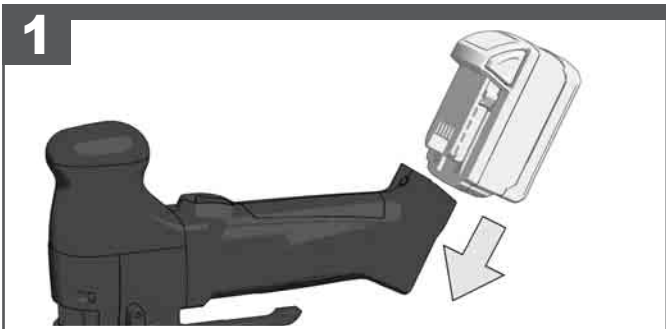
Преди започване на каквито е да е работи по машината извадете акумулатора.

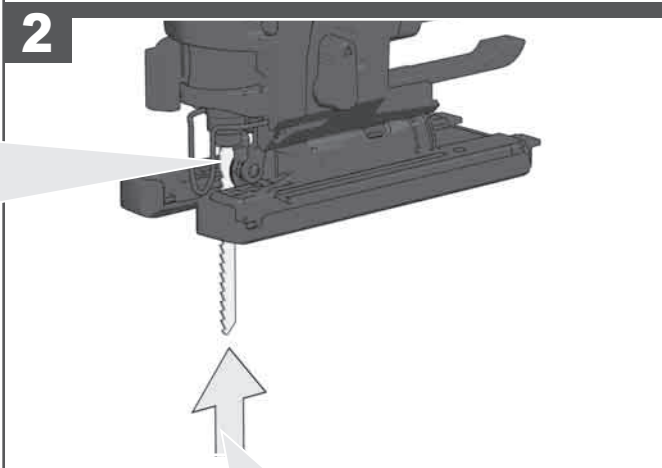
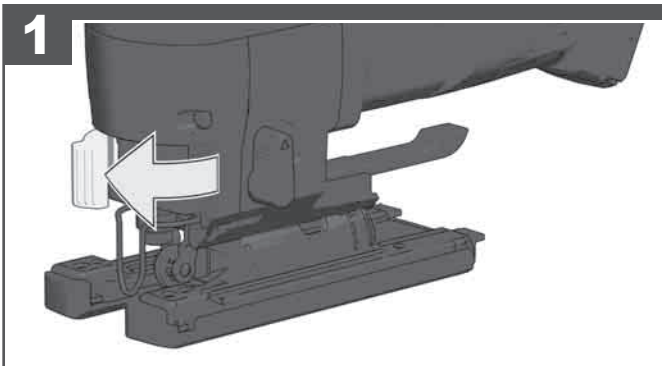
Scoateți acumulatorul înainte de a începe orice intervenție pe mașină.

Отстранете ја батеријата пред да започнете да ја користите машината.

Перед будь-якими роботами на машині ви́ньяти змінну акумуляторну батарею.

مّم بزاللة حزمة البطارية قبل البدء في أي أعمال على الجهاز.





Press the saw blade into the Fixtec holder up to the stop.

Sägeblatt in die Fixtec-Aufnahme bis zum Anschlag drücken.

Presser la lame de scie dans le logement Fixtec jusqu'à la butée.

Inserire la lama fino alla battuta nell'alloggiamento Fixtec.

Introducir la hoja de la sierra Fixtec en su alojamiento hasta el tope

Pressionar a folha de serra no assento-Fixtec até o encosto.

Zaagblad tot aan de aanslag in de Fixtec-houder drukken.

Pres savklingen ind i Fixtec-holderen, så den går i indgreb.

Trykk sagbladet til anslaget av Fixtec – holdeinretingen.

Tryck ner sågbladet i Fixtec-fästansordningen så långt det går.

Τυώνnä sanherärä Fixtec-istukkaan pohjaan asti

Βάλετε την πριονόλαμα μέχρι το τέγμα στην υποδοχή του Fixtec.

Testere biççağını dayanıncaya kadar Fixtec yuvasına bastırın.

Zatláče pilový list na doraz do sklíčidla Fixtec.

Zatláče pilový list na doraz do skl'účovadla Fixtec.

Brzeszczot wcisnąć na nasadę FIXTEC do oporu.

A fűrészlapot a Fixtec-befogóba ütközésig nyomja be!

Žagin list pritisnite u Fixtec-prijemalo do prisloná

List pile pritisnite u Fixtec-prihvatač do graničnika levietojet ząga disku Fixtec stiprinájumá līdz galam, lai tā nofikšéjas.

Istalykite pjūklo diską į Fixtec tvirtinimą iki galo, kol jis užsifiksuoja.

Saetera lükata Fixtec-kinnitusse kuni tunnete klõpsatust.

Вставить пильное полотно в захват Fixtec до упора.

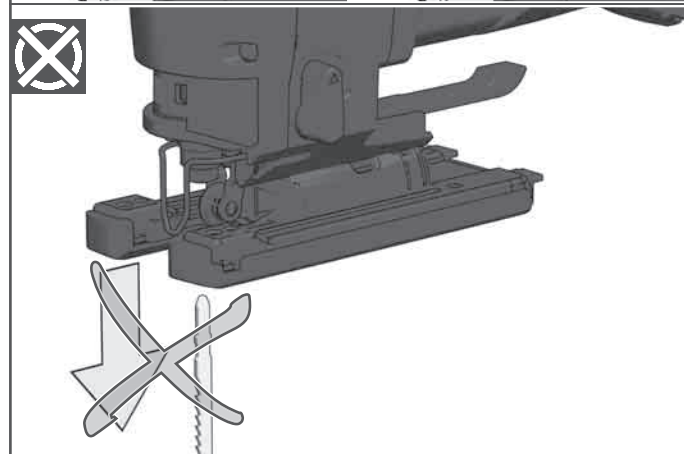
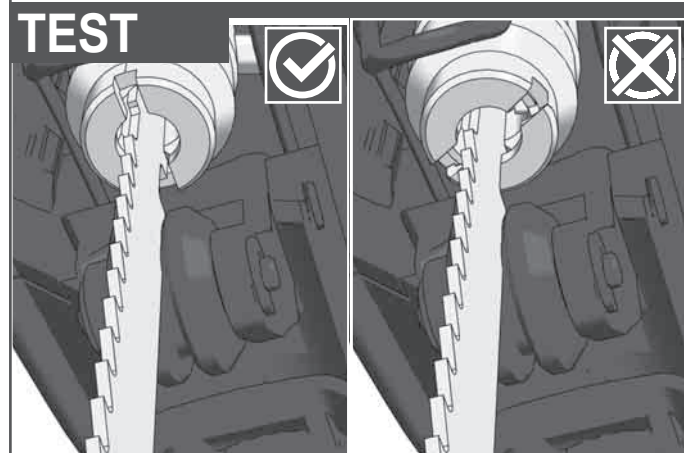
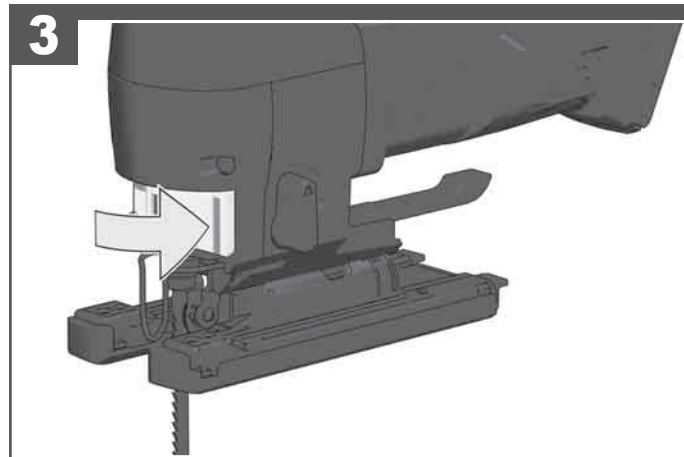
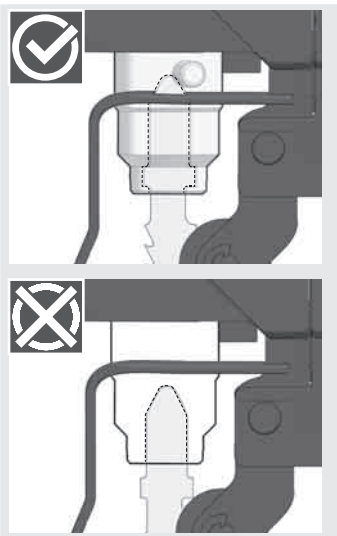
Натиснете циркулярния диск в Fixtec-държача до ограничителя.

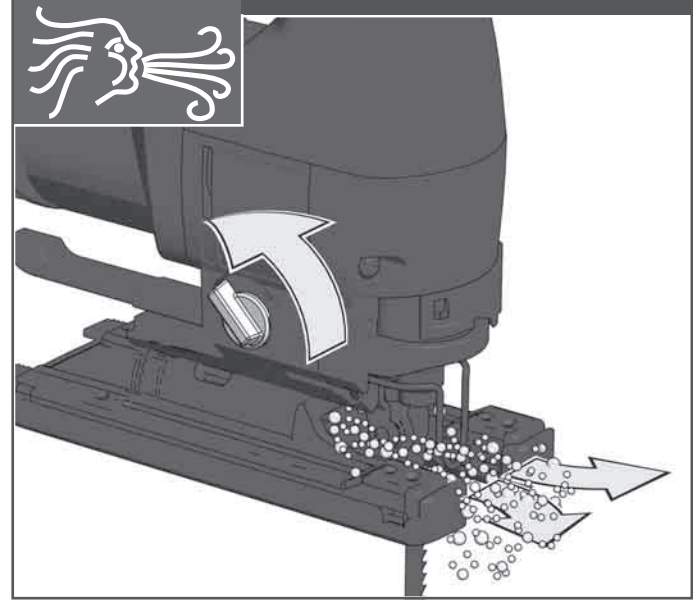
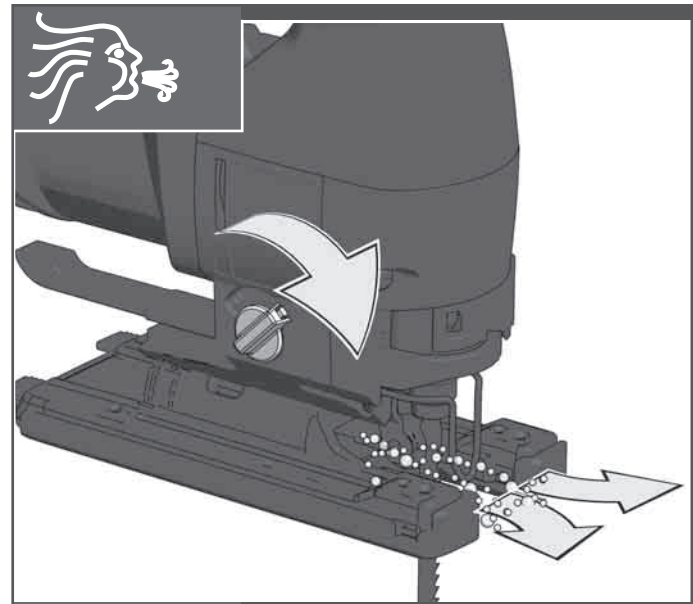
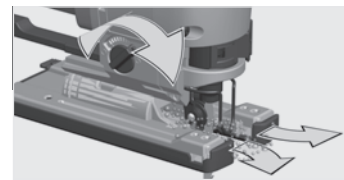
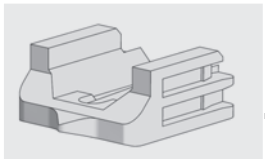
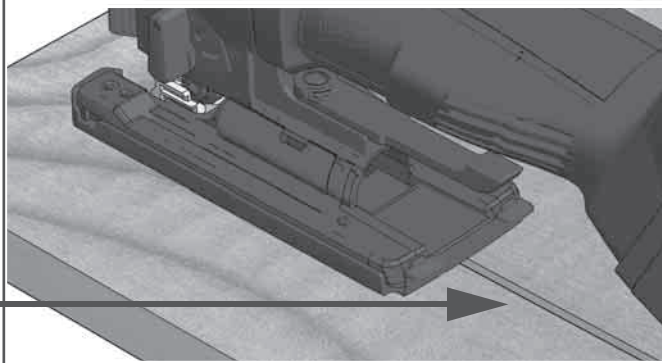
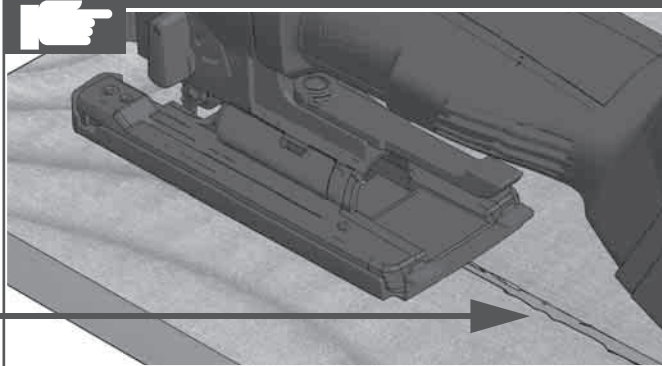
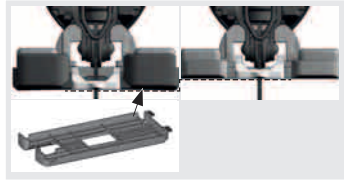
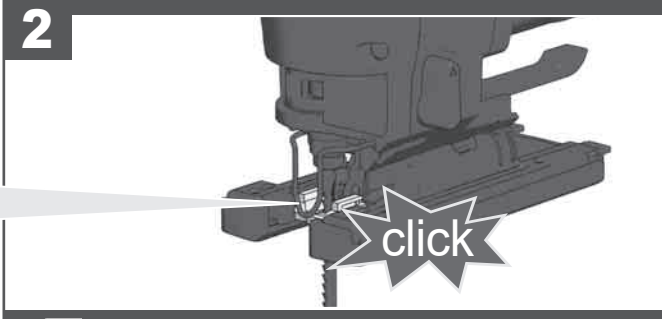
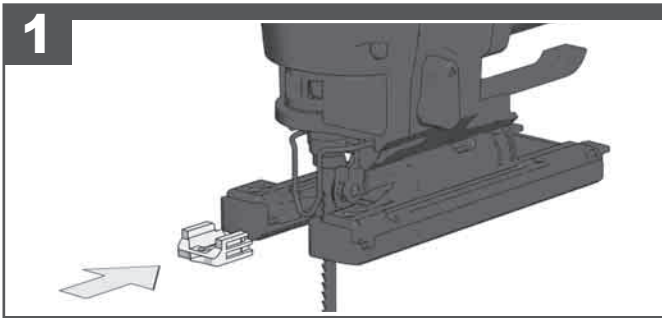
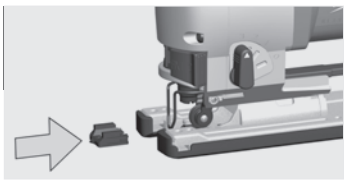
Aprásajį pánzà de circular în dispozitivul de preluare fixtec, până la refuz.

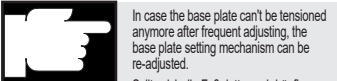
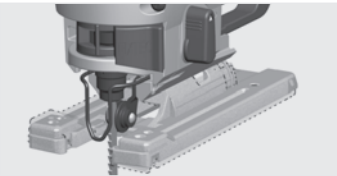
Притиснете ја пилицата за сечење во Fixtec-лежиштето сè до аншлаг

Притиснути пилковий диск до кріплення Fixtec до упору.

اضغط على شفرة المنشار إلى داخل حامل Fixtec حتى السدادة النهائية.







In case the base plate can't be tensioned anymore after frequent adjusting, the base plate setting mechanism can be re-adjusted.

Sollte sich die Fußplatte nach häufiger Verstellung nicht mehr fest spannen lassen, kann die Fußplattenverstellung nachjustiert werden.

Au cas où la plaque de base ne se laisserait plus serrer à fond à la suite de déplacements fréquents, il est possible de réajuster le réglage de la plaque de base.

Il meccanismo di settaggio della piastra base deve essere nuovamente regolato specialmente quando si effettuano frequenti regolazioni della piastra.

Ajustando la placa base. Desconecte siempre el enchufe antes de llevar a cabo cualquier trabajo en la máquina.

No caso de a base não poder voltar a ser apertada após ajustes frequentes, o mecanismo de ajuste da mesma pode ser reajustado.

Indien de voetplaat, na veelvuldig verstellen, zich niet goed meer laat vastspannen, kunt u de voetplaatverstelling nastellen.

Hvis fodpladen efter gentagne omstillinger ikke længere kan spændes fast, kan fodpladeindstillingen efterjusteres.

Dersom fotplaten etter flere gangers regulering ikke lenger lar seg spenne fast, kan reguleringsmekanismen for fotplaten etterjusteres.

Ifall bottenplattan, efter lång tids användning, ej längre låter sig återspännas kan mekanismen efterjusteras.

Mikäli pohjalevyn paikoilleenkiristys ei enää onnistu, on mahdollista suorittaa pohjalevyn asetusmekanismin uudelleensäätö.

Σε περίπτωση που η πλάκα ποδός δεν μπορεί πια να στερεωθεί σταθερά μετά από συχνές ρυθμίσεις, μπορεί να επαναρυθμιστεί η ρύθμιση της πλάκας ποδός.

Taban levhasi sık sık ayar yapıldıktan sonra artık sıkılmıyorsa, taban levhasi ayarı tekrar yapılabilir.

Není-li možné pracovní desku po mnohonásobném nasatavování uprout, lze její stavěcí mechanismus upravit.

Ak by sa základová doska v dôsledku častého preslavovania nedala viac upevniť, môže sa preslavovací mechanizmus základovej dosky nanovo nastaviť.

W przypadku, gdy płyty podstawy nie można już solidnie zamocować w wyniku częstego ustawiania, należy wyregulować mechanizm nastawiania.

Ha az alaplappot nem lehet többé meghúzni a gyakori állítások után, az alaplapp szabályozó mechanizmus újra beállítható.

V primeru, da se nožna plošča po pogostem nastavljanju ne da več čvrsto napeti, se lahko nastavitve nožne plošče naknadno justira.

Ako se nožna plošča nakon češćeg premještanja više ne može čvrsto stegnuti, onda se podešavanje nožne ploče može naknadno justirati.

Ja pamata pláksni pēc vairākkārtējas pārvietošanas vairs nav iespējams stingri nostiprināt, to vajag noregulēt par jaunu.

Jeji po dažno perregulavimo apatinė atrama tvirtai nebeprisiveržia, ją galima suderinti iš naujo.

Juhul, kui pärast sagedast reguleerimist pole alustada enam võimalik kindlalt kinnitada, võib alusplaadi reguleerimist uuesti justeerida.

В случае, если от частого использования опорная подошва плохо фиксируется, крепежный механизм опорной подошвы можно отрегулировать.

Ako след често нагласяне опорната плоча не може повече да се затегне, настройката на плочата може да се регулира отново.

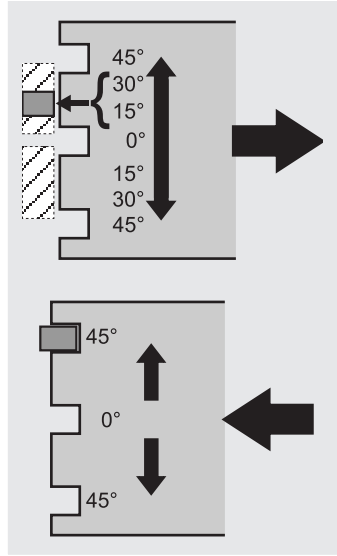
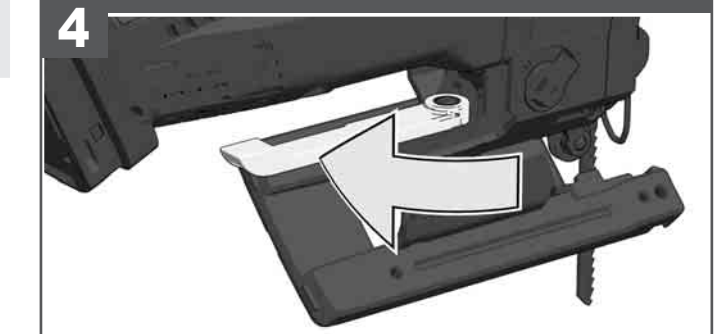
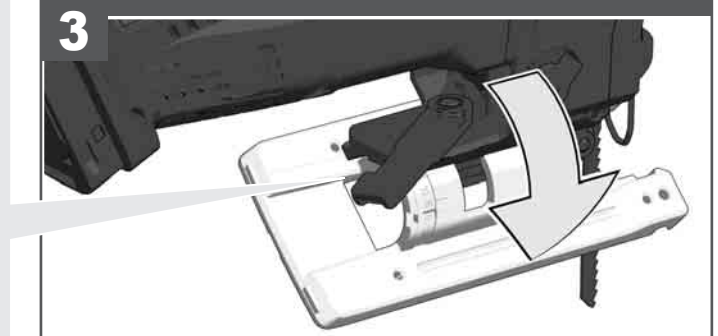
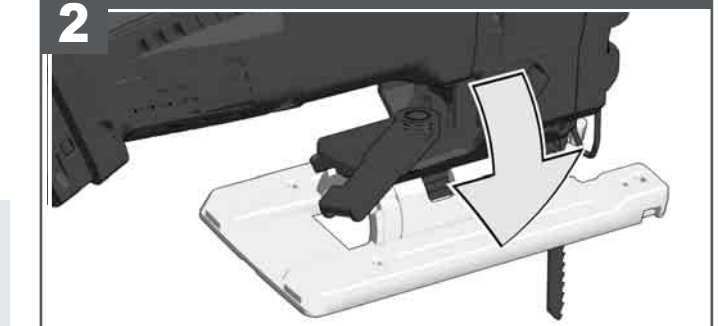
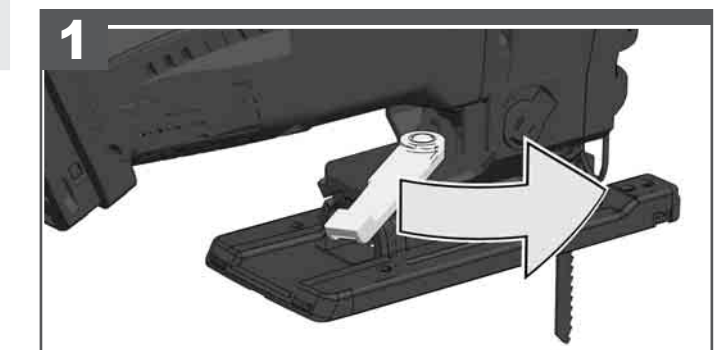
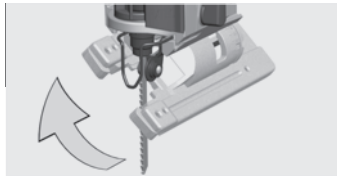
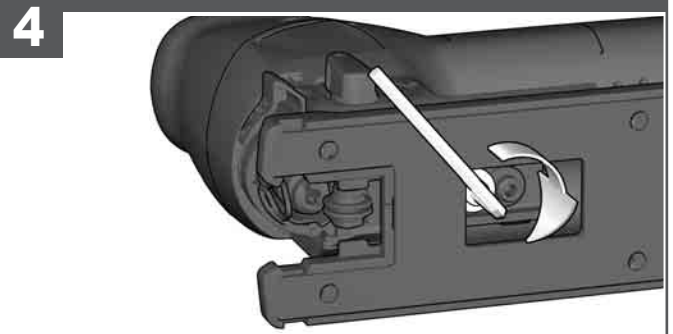
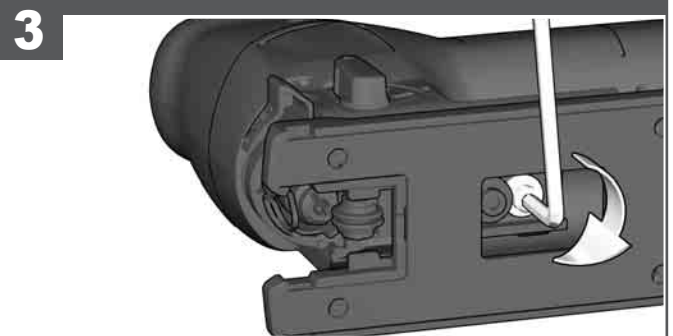
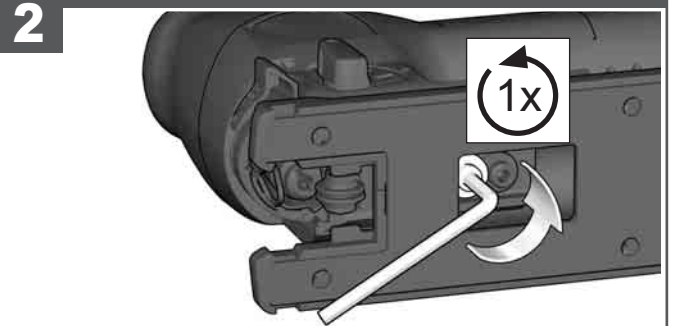
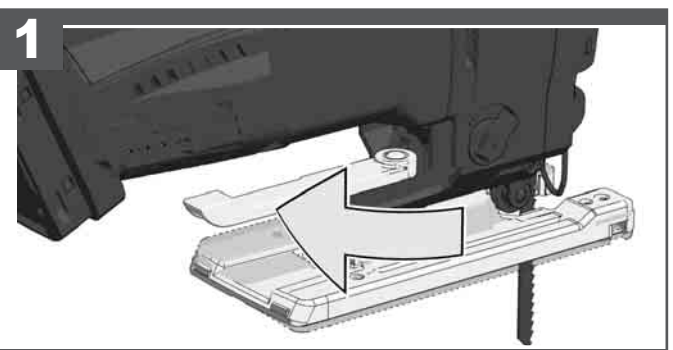
În cazul în care placa de bază nu mai poate fi tensionată după reglajele frecvente, mecanismul de reglare al acesteia poate fi reajustat.

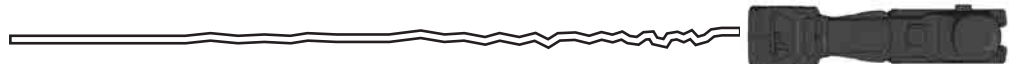
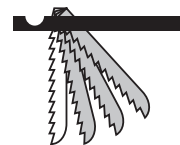
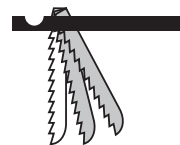
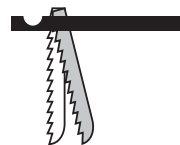
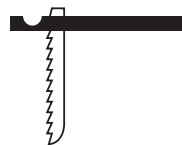
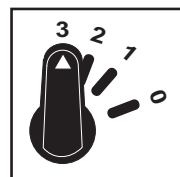
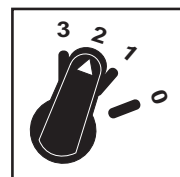
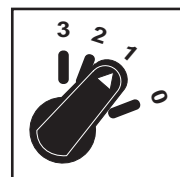
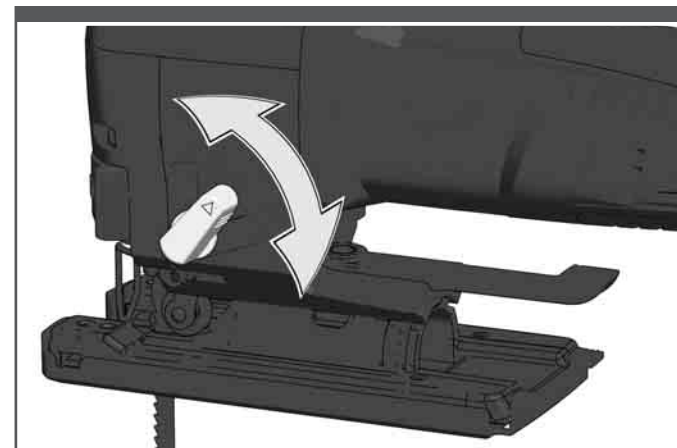
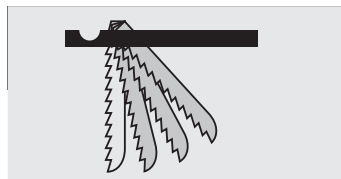
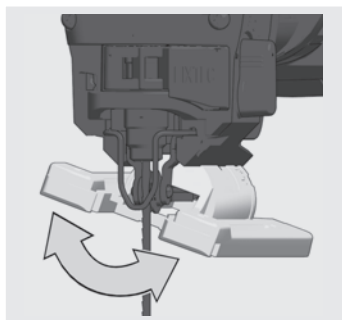
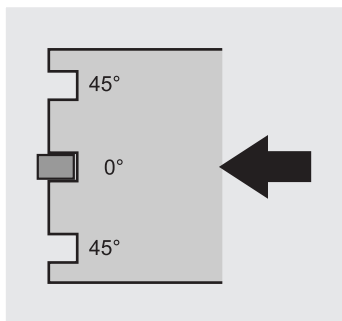
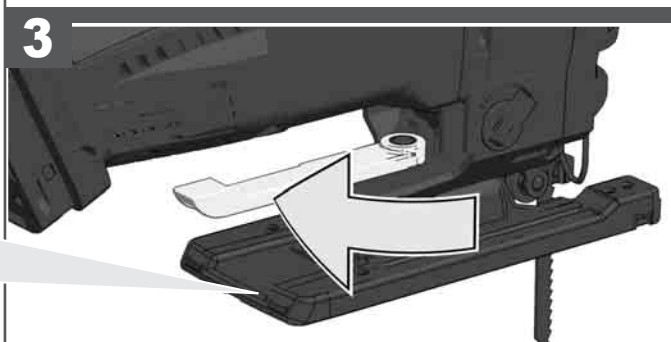
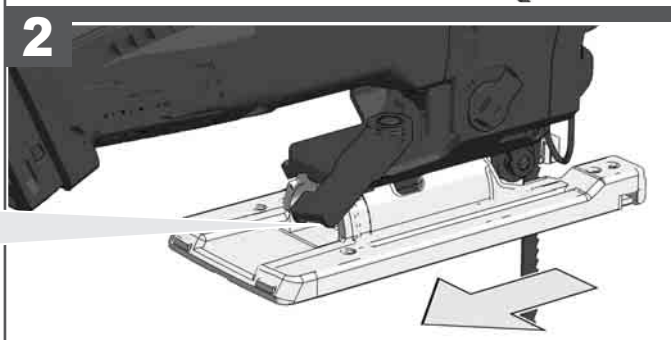
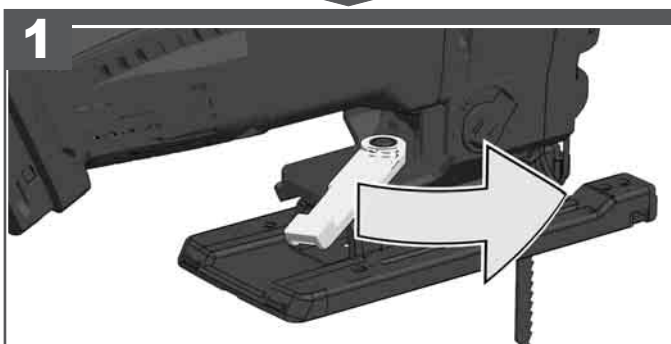
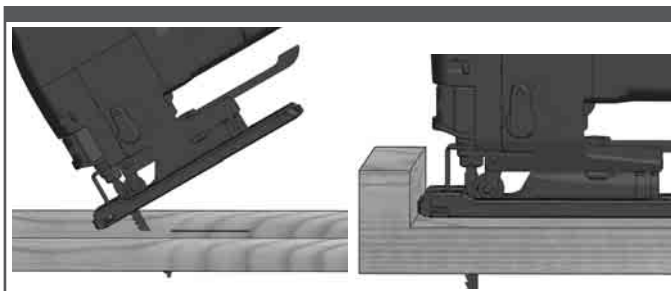
Во случај основната плоча да не може повеќе да се затегне, по често прилагодување, нејзиниот механизам може да се прештетува.

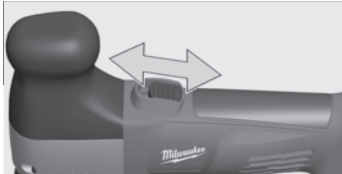
Якщо основа не затискається міцно після частого регулювання, можна від'юзувати пристрій регулювання основи.

وضع صفحة القاعدة للمزيد من الضغط بعد ضبط المحرك، يمكن إعادة ضبط آلية

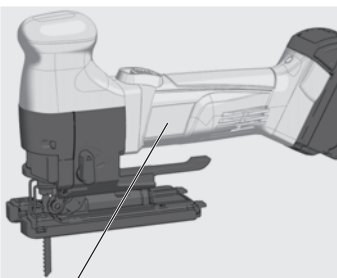
وضع صفحة القاعدة.







Startup protection:
When switched on, the machine will not start up after the battery is inserted again.
To continue working, switch the machine off and then on again.

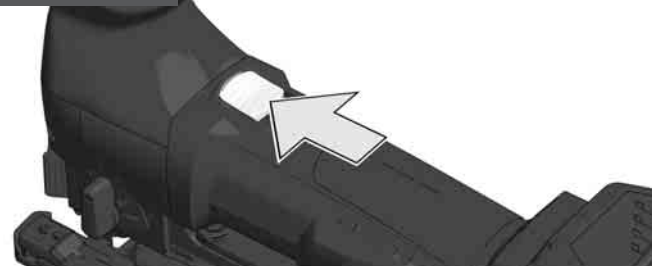


Insulated gripping surface
Isolierte Grifffläche
Surface de prise isolée
Superficie di presa isolata
Superficie de agarre con aislamiento
Superficie de pega isolada
Geïsoleerd

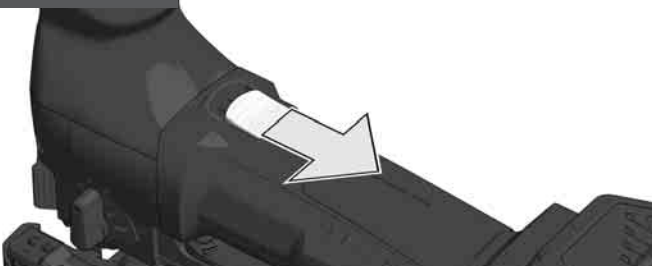
Isolerede gribeflader
Isolert gripeflate
Isolerad greppyta
Eristetty tarttumapinta
Μονωμένη επιφάνεια λαβής
Izolasyonlu tutma yüzeyi
Izolovaná uchopovací plocha
Izolovaná úchopná plocha
Izolowaną powierzchnię
Szigetelt fogófelület
Izolirana prijemalna površina
Izolirana površina za držanje
Izolēta satveršanas virsma
Izoliuotas rankenos paviršius
Isoleeritud pideme piirkond
Изолированная поверхность ручки
Изолирана повърхност за хващане
Suprafață de prindere izolată
Изолирана површина
Изолювана поверхня ручки

مساحة المقبض معزولة

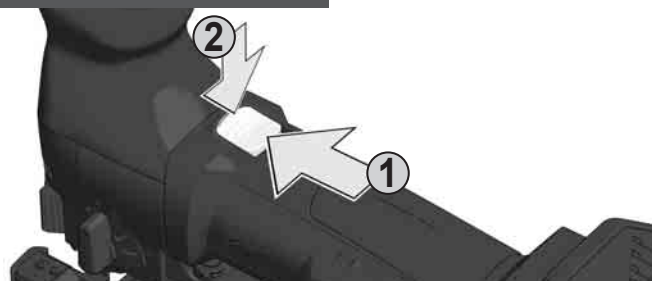
START



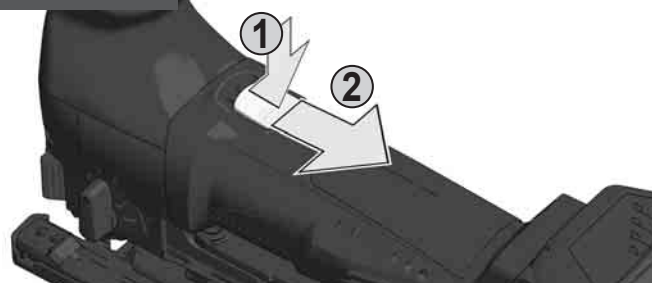
STOP



START/LOCK

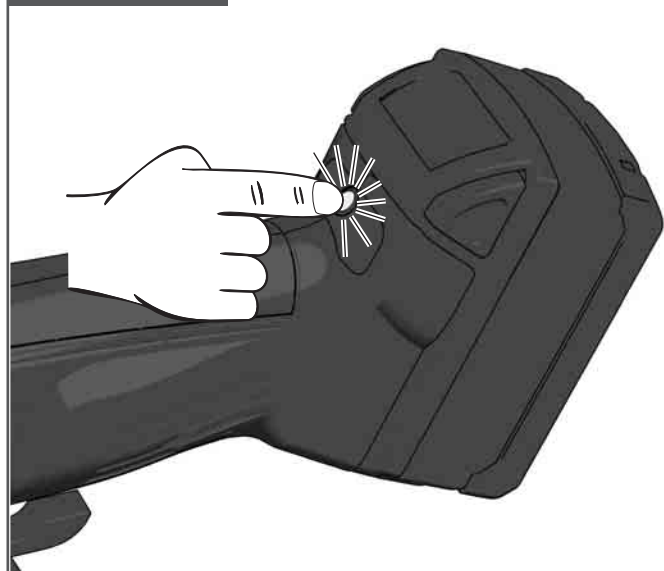


STOP

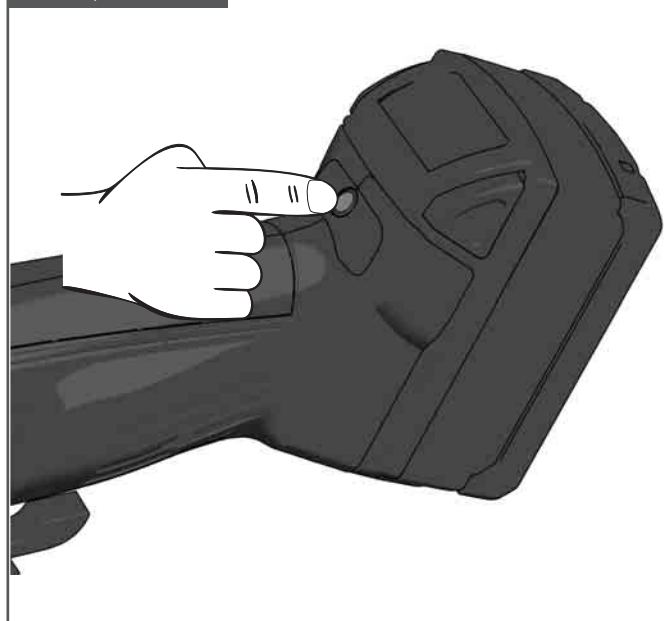


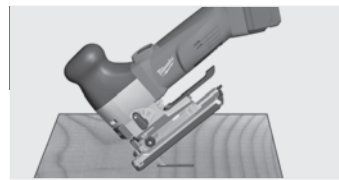
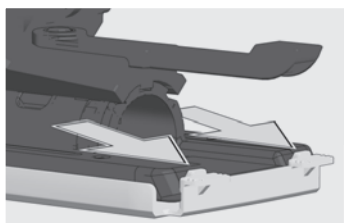
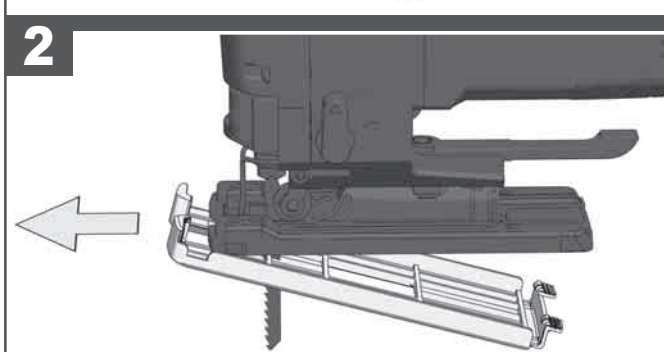
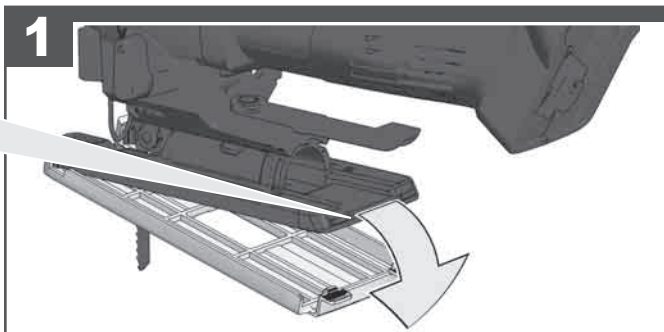
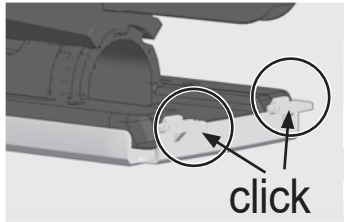
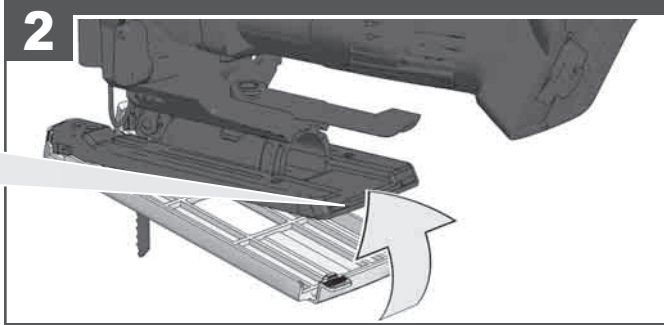
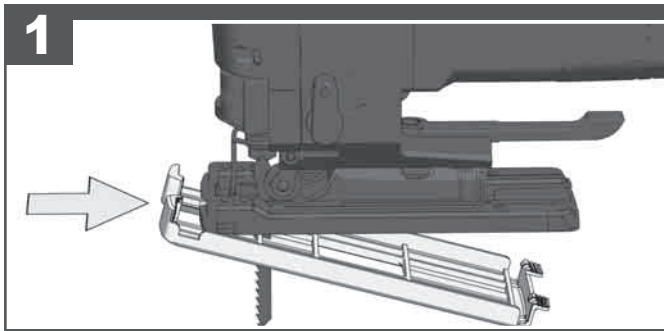
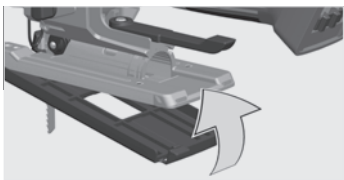
electronic

1

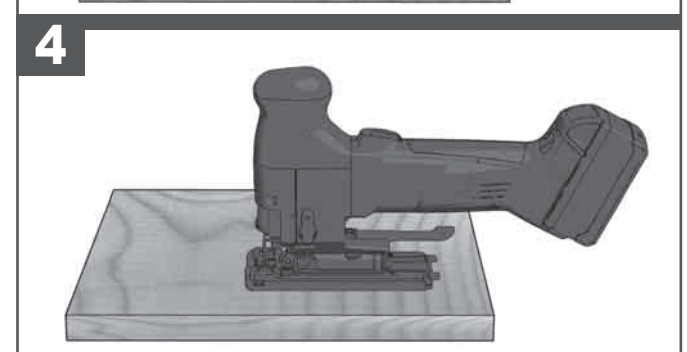
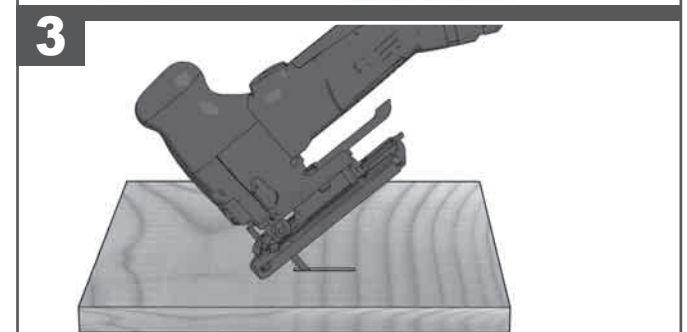
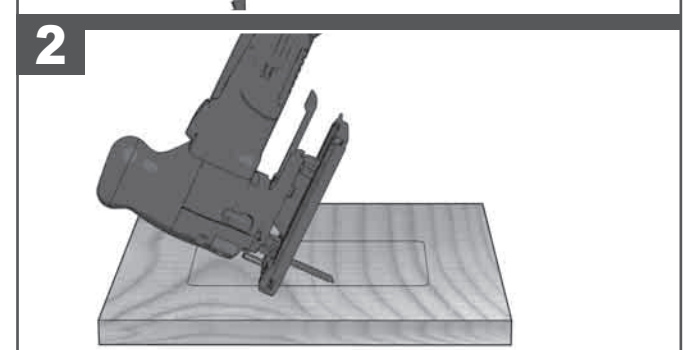
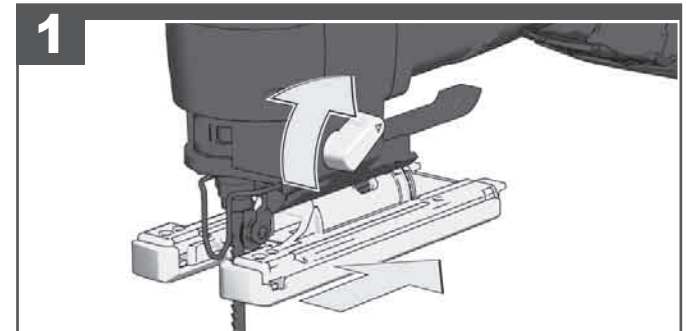
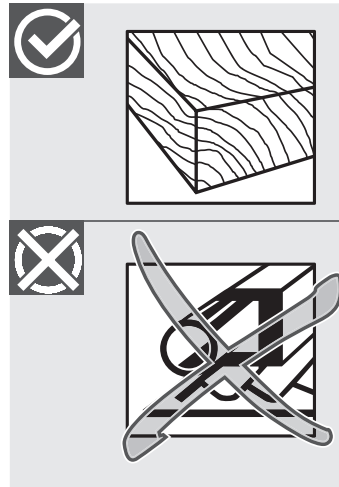


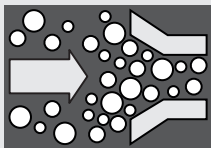
2



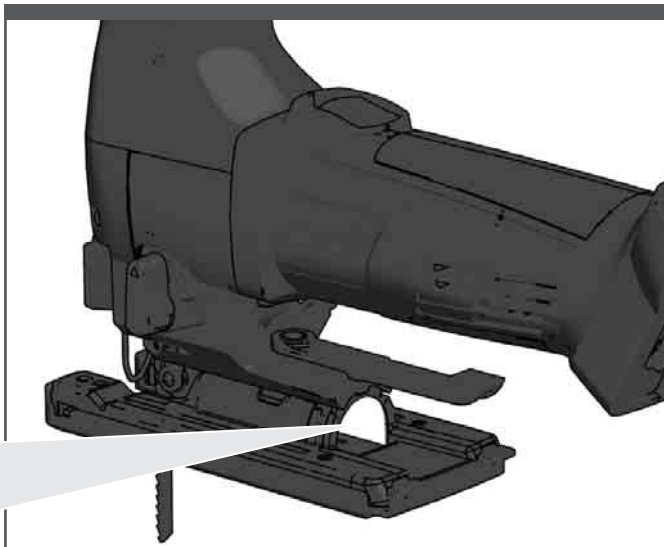


Load-dependent motor protection:
If the motor is overloaded, the overload protection will trip. To continue working, switch the machine off and then on again.





Clean regularly the chip ejection opening.
Die Spanauswurföffnung regelmäßig reinigen.
Nettoyez régulièrement l'orifice d'éjection des copeaux.
Pulire regolarmente l'apertura di espulsione dei chip.
Limpie regularmente la abertura de expulsión de virutas.
Limpar regularmente a abertura de ejeção do chip.
Maak de spaanafvoeropening regelmatig schoon.
Rengjør spånudkastningsåbningen regelmæssigt.
Rengjør sponutkastningsåbningen regelmessig.
Rengör spånutmatningsöppningen regelbundet.
Puhdista lastujen poistoaukko säännöllisesti.
Καθαρίζετε τακτικά το άνοιγμα εξαγωγής τσιπ.
Talaş atma deliğini düzenli olarak temizleyin.
Pravidelne čistíte otvor pro vyhazování třísek.
Vyhadzovací otvor na triesky pravidelne čistíte.
Regularnie czyść otwór wyrzutnika wiórow.
Rendszeresen tisztítsa meg a forgácskidobó nyílást.
Odprtino za izmet čipov redno čistite.
Redovito čistite otvor za izbacivanje strugotine.
Regulāri tīriet skaidu izmešanas atveri.
Reguliariai valykite drožlių išmetimo angą.
Puhastage regulaarselt kiipide väljaviskeava.
Регулярно очищайте отверстие для выброса стружки.
Почиствайте редовно отвора за изхвърляне на чипове.
Curățați cu regularitate orificiile de ejecție a cipurilor.
Редовно чистете го отворот за исфрлање на чипот.
Регулярно чистіть отвір для викиду стружки.
قم بتنظيف فتحة إخراج الرقاقة بانتظام.



TECHNICAL DATA		CORDLESS JIGSAW	HD18 JSB
Production code	4030 38 05..	..000001-999999	18 V
Battery voltage	2050 min ⁻¹	2700 min ⁻¹	26 mm
Stroke rate under no-load	1st gear	2nd gear	45°
Lengths of stroke	120 mm	10 mm	30 mm
Bevel cuts up to	2,9 kg	2,9 kg	-18...+50 °C
Cutting depth max. in:	Wood	Steel	Aluminium
Weight according EPTA-Procedure 01/2014	Recommended ambient operating temperature	Recommended battery types	Recommended charger
		M18B2, M18B4, M18B5, M18B6, M18B9	M12-18C, M12-18AC, M12-18FC, M1418C6

Noise/vibration information

Measured values determined according to EN 62841.

Typically, the A-weighted noise levels of the tool are:

Sound pressure level (Uncertainty K=3dB(A))	82,5 dB (A)
Sound power level (Uncertainty K=3dB(A))	93,5 dB (A)

Wear ear protectors!

Total vibration values (vector sum in the three axes) determined according to EN 62841.

Cutting boards *1	Vibration emission value a _{h,v}	6,3 m/s ²
Uncertainty K	1,5 m/s ²	
Cutting sheet metal *2	Vibration emission value a _{h,v}	6,4 m/s ²
Uncertainty K	1,5 m/s ²	

*1 with saw blade T101B, dimension 75 x 8 x 1.4 mm and tooth pitch 2,5 mm

*2 with saw blade T118A, dimension 55 x 8 x 1 mm and tooth pitch 1,2 mm

WARNING

The vibration and noise emission level given in this information sheet has been measured in accordance with a standardized test given in EN 62841 and may be used to compare one tool with another. It may be used for a preliminary assessment of exposure.

The declared vibration and noise emission level represents the main applications of the tool. However if the tool is used for different applications, with different accessories or poorly maintained, the vibration and noise emission may differ. This may significantly increase the exposure level over the total working period.

An estimation of the level of exposure to vibration and noise should also take into account the times when the tool is switched off or when it is running but not actually doing the job. This may significantly reduce the exposure level over the total working period.

Identify additional safety measures to protect the operator from the effects of vibration and/or noise such as: maintain the tool and the accessories, keep the hands warm, organization of work patterns.

WARNING Read all safety warnings, instructions, illustrations and specifications provided with this power tool. Failure to follow all instructions listed below may result in electric shock, fire and/or serious injury. Save all warnings and instructions for future reference.

JIG SAW SAFETY WARNINGS

Hold the power tool by insulated gripping surfaces, when performing an operation where the cutting accessory may contact hidden wiring.

Cutting accessory contacting a "live" wire may make exposed metal parts of the power tool "live" and could give the operator an electric shock.

Use clamps or another practical way to secure and support the workpiece to a stable platform.

Holding the workpiece by hand or against your body leaves it unstable and may lead to loss of control.

Wear ear protectors. Exposure to noise can cause hearing loss.

ADDITIONAL SAFETY AND WORKING INSTRUCTIONS

Use protective equipment. Always wear safety glasses when working with the machine. The use of protective clothing is recommended, such as dust mask, protective gloves, sturdy non-slip footwear, helmet and ear defenders.

The dust produced when using this tool may be harmful to health. Do not inhale the dust. Wear a suitable dust protection mask.

Do not machine any materials that present a danger to health (e.g. asbestos).

Switch the device off immediately if the insertion tool stalls! Do not switch the device on again while the insertion tool is stalled, as doing so could trigger a sudden recoil with a high reactive force. Determine why the insertion tool stalled and rectify this, paying heed to the safety instructions.

The possible causes may be:

- it is tilted in the workpiece to be machined
- it has pierced through the material to be machined
- the power tool is overloaded

Do not reach into the machine while it is running.

The insertion tool may become hot during use.

WARNING! Danger of burns

- when changing tools
- when setting the device down

Chips and splinters must not be removed while the machine is running.

When working in walls ceiling, or floor, take care to avoid electric cables and gas or waterpipes.

Clamp your workpiece with a clamping device. Unclamped workpieces can cause severe injury and damage.

Do not use cracked or distorted saw blades.

Plunge cuts without pre-drilling a hole are possible with soft materials (wood, light building materials for walls). Harder materials (metals) must first be drilled with a hole corresponding to the size of the saw blade.

Remove the battery pack before starting any work on the machine.

Do not dispose of used battery packs in the household refuse or by burning them. Milwaukee Distributors offer to retrieve old batteries to protect our environment.

Do not store the battery pack together with metal objects (short circuit risk).

No metal parts must be allowed to enter the battery section of the charger (short circuit risk).

Use only System 18 V chargers for charging System 18 V battery packs. Do not use battery packs from other systems.

Never break open battery packs and chargers and store only in dry rooms. Keep dry at all times.

Battery acid may leak from damaged batteries under extreme load or extreme temperatures. In case of contact with battery acid wash it off immediately with soap and water. In case of eye contact rinse thoroughly for at least 10 minutes and immediately seek medical attention.

Warning! To reduce the risk of fire, personal injury, and product damage due to a short circuit, never immerse your tool, battery pack or charger in fluid or allow a fluid to flow inside them. Corrosive or conductive fluids, such as seawater, certain industrial chemicals, and bleach or bleach containing products, etc., can cause a short circuit.

SPECIFIED CONDITIONS OF USE

This jig saw can cut wood, plastic and metal; it can cut straight lines, bevels, curves, and internal cut-outs.

Do not use this product in any other way as stated for normal use.

EC DECLARATION OF CONFORMITY

We declare as the manufacturer under our sole responsibility that the product described under "Technical Data" fulfills all the relevant regulations and the directives 2011/65/EU (RoHS), 2014/30/EU, 2006/42/EC, and the following harmonized standards have been used:

EN 62841-1:2015
EN 62841-2-11:2016+A1:2020
EN 55014-1:2017+A11:2020
EN 55014-2:2015
EN IEC 63000:2018

Winnenden, 2021-08-16

Alexander Krug
Managing Director

Authorized to compile the technical file

Techrnic Industries GmbH
Max-Eyth-Straße 10
71364 Winnenden
Germany

GB-DECLARATION OF CONFORMITY

We declare as the manufacturer under our sole responsibility that the product described under "Technical Data" fulfills all the relevant provisions of the following Regulations S.I. 2008/1597 (as amended), S.I. 2016/1091 (as amended), S.I. 2012/3032 (as amended) and that the following designated standards have been used:

BS EN 62841-1:2015
BS EN 62841-2-11:2016+A1:2020
BS EN 55014-1:2017+A11:2020
BS EN 55014-2:2015
BS EN IEC 63000:2018

Winnenden, 2021-08-16

Alexander Krug
Managing Director

Authorized to compile the technical file.

Techrnic Industries GmbH
Max-Eyth-Straße 10
71364 Winnenden
Germany

BATTERIES

New battery packs reach full loading capacity after 4 - 5 chargings and dischargings. Battery packs which have not been used for some time should be recharged before use.

Temperatures in excess of 50°C (122°F) reduce the performance of the battery pack. Avoid extended exposure to heat or sunshine (risk of overheating).

The contacts of chargers and battery packs must be kept clean.

For an optimum life-time, the battery packs have to be fully charged, after use.

To obtain the longest possible battery life remove the battery pack from the charger once it is fully charged.

For battery pack storage longer than 30 days:

Store the battery pack where the temperature is below 27°C and away from moisture

Store the battery packs in a 30% - 50% charged condition

Every six months of storage, charge the pack as normal.

MAINTENANCE

The ventilation slots of the machine must be kept clear at all times.

Use only Milwaukee accessories and spare parts. Should components need to be replaced which have not been described, please contact one of our Milwaukee service agents (see our list of guarantee/service addresses).

If needed, an exploded view of the tool can be ordered. Please state the Article No. as well as the machine type printed on the label and order the drawing at your local service agents or directly at: Techtronic Industries GmbH, Max-Eyth-Straße 10, 71364 Winnenden, Germany.

TRANSPORTING LITHIUM BATTERIES

Lithium-ion batteries are subject to the Dangerous Goods Legislation requirements.

Transportation of those batteries has to be done in accordance with local, national and international provisions and regulations.

- The user can transport the batteries by road without further requirements.
- Commercial transport of Lithium-Ion batteries by third parties is subject to Dangerous Goods regulations. Transport preparation and transport are exclusively to be carried out by appropriately trained persons and the process has to be accompanied by corresponding experts.

When transporting batteries:

- Ensure that battery contact terminals are protected and insulated to prevent short circuit.
- Ensure that battery pack is secured against movement within packaging.
- Do not transport batteries that are cracked or leak.

Check with forwarding company for further advice

SYMBOLS

	CAUTION! WARNING! DANGER!
	Remove the battery pack before starting any work on the machine.
	Please read the instructions carefully before starting the machine.
	Accessory - Not included in standard equipment, available as an accessory.
	Do not dispose of waste batteries, waste electrical and electronic equipment as unsorted municipal waste. Waste batteries and waste electrical and electronic equipment must be collected separately. Waste batteries, waste accumulators and light sources have to be removed from equipment. Check with your local authority or retailer for recycling advice and collection point. According to local regulations retailers may have an obligation to take back waste batteries and Waste electrical and electronic equipment free of charge. Your contribution to re-use and recycling of waste batteries and waste electrical and electronic equipment helps to reduce the demand of raw materials. Waste batteries, in particular containing lithium and waste Electrical and electronic equipment contain valuable, recyclable materials, which can adversely impact the environment and the human health, if not disposed of in an environmentally compatible manner. Delete personal data from waste equipment, if any.
	Stroke rate under no-load
	Volts
	Direct Current
	European Conformity Mark
	British Conformity Mark
	Regulatory Compliance Mark (RCM). Product meets applicable regulatory requirements.
	Ukraine Conformity Mark
	EurAsian Conformity Mark



												4932... Id.-No.	
		i											
75	3	A	II	< 60							<60		3672 38
75	4	D	II	< 60	< 60								3672 39
75	4	C	I	< 60	< 60						< 60		3672 41
75	2,5	C	I	< 30	< 30						< 30		3672 40
55	1,2	B	I				1,5-4	1,5-4	1,5-4			1,5-3	3672 42
55	2	B	I				3-6	3-10	3-10				3672 43

A	B	C	D	I	II	III
				1a	QUICK	
set geschränkt biseauté levigato afitada	wavy gewellt ondulé ondulato ondulada	tapered, ground konisch geschliffen conico, biseauté conico, levigato cónica, afitada	set, ground geschränkt, geschliffen biseauté, croise levigato, alliciato afitada, triscada	clean cutting sauberer Schnitt coupe propre taglio pulito corte limpio	fast cutting schneller Schnitt coupe rapide taglio veloce corte rápido	curve cutting Kurvenschnitt coupe curviligne taglio curvo corte de curvas

Copyright 2022

Techtronic Industries GmbH
Max-Eyth-Str. 10
71364 Winnenden
Germany

+49 (0) 7195-12-0

www.milwaukeeetool.eu

Techtronic Industries (UK) Ltd
Parkway
Marlow, SL7 1YL
UK



(02.22)

4100 4700 24