

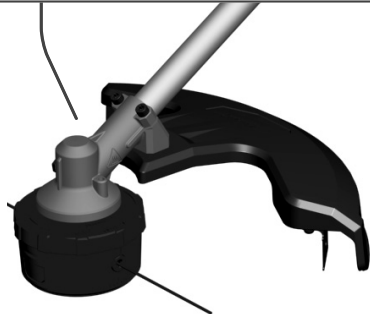
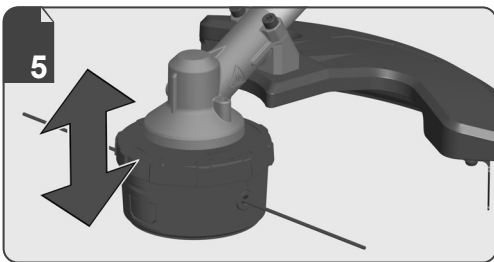
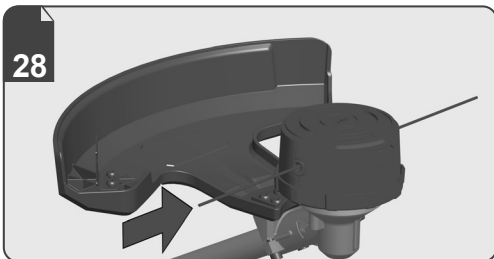
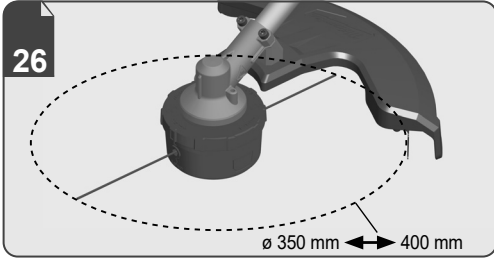
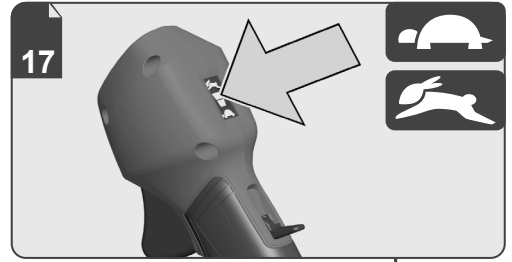
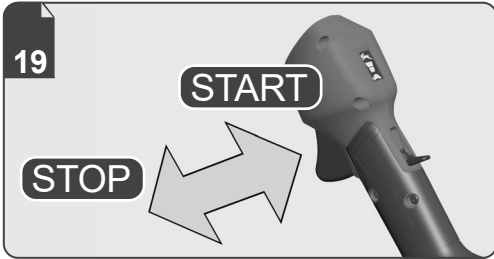


Nothing but **HEAVY DUTY.**[®]

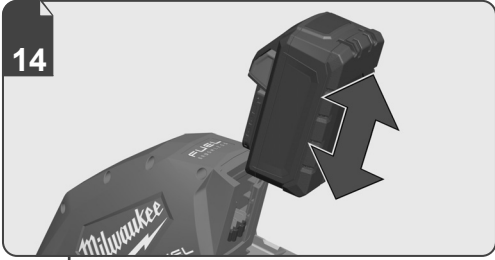


M18 FBCU

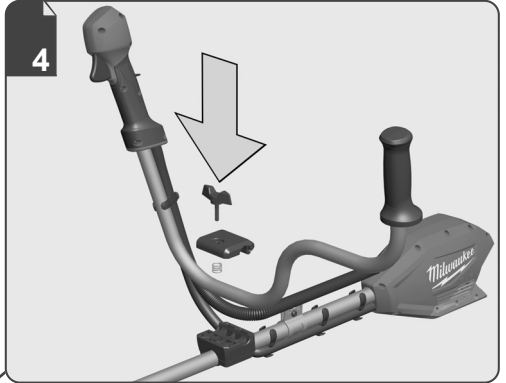
Original instructions



14



4



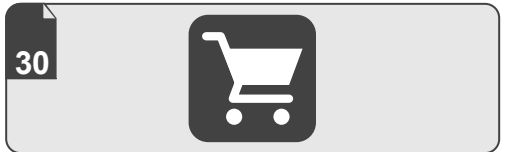
18



20



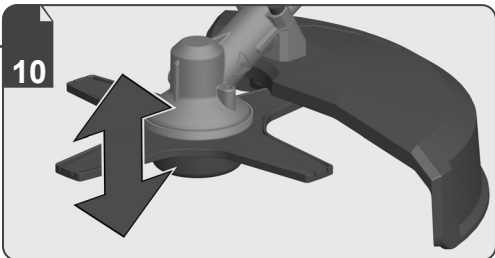
30



34

Text section with Technical Data, important Safety and Working Hints and description of Symbols

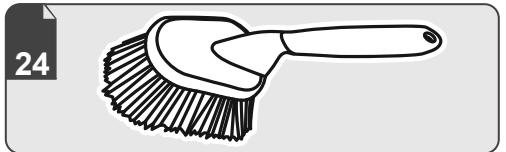
10

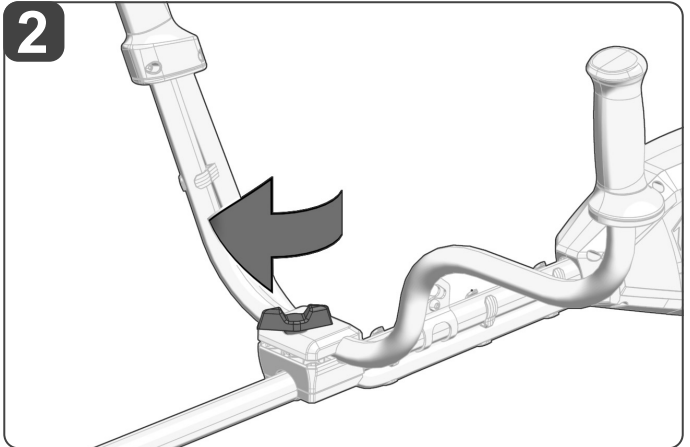
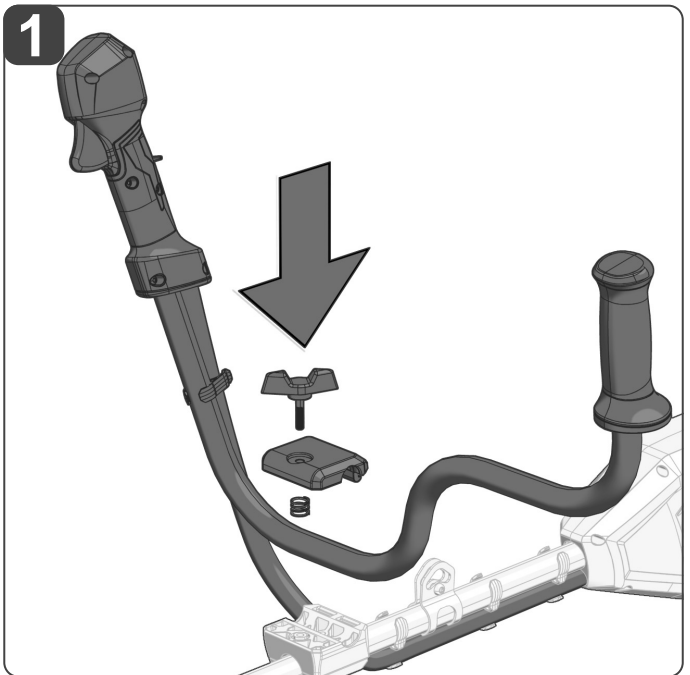
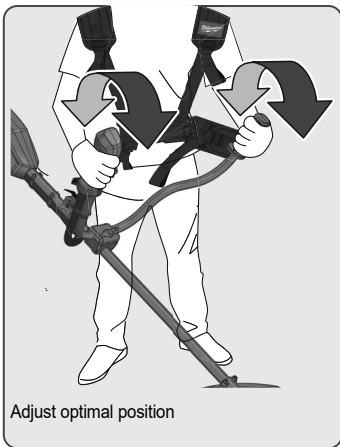
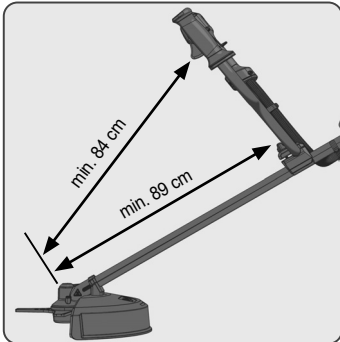
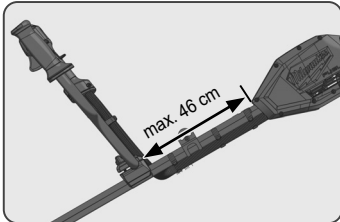
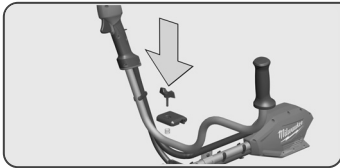


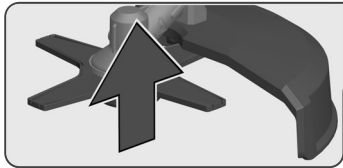
27



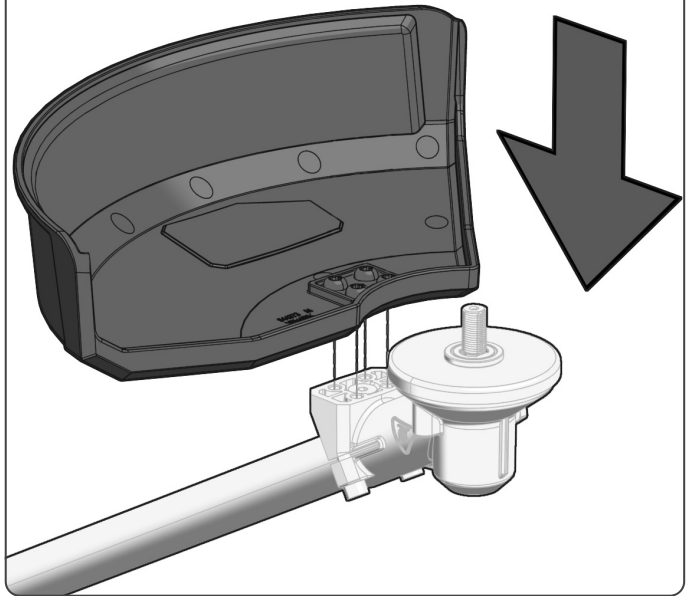
24



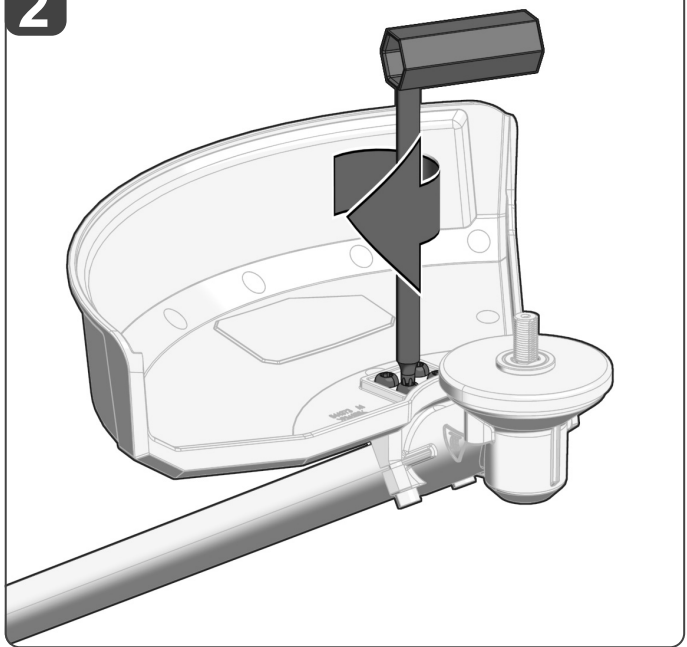




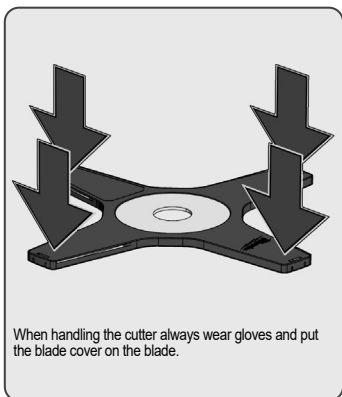
1



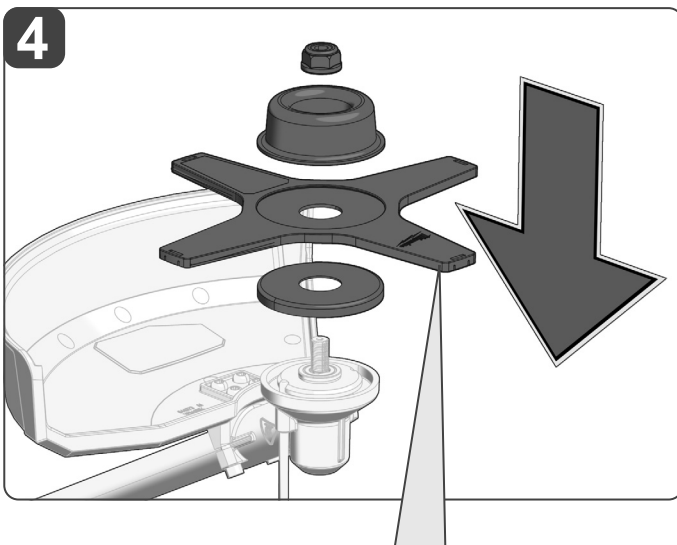
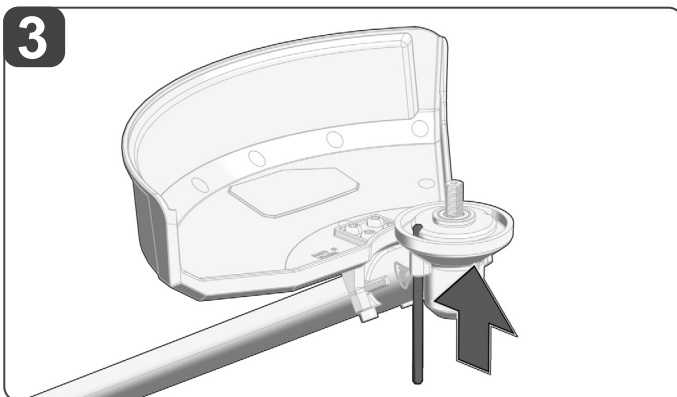
2



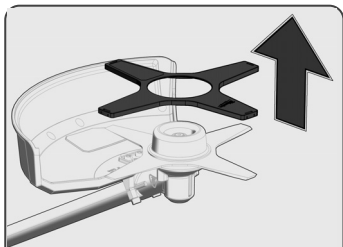
5



When handling the cutter always wear gloves and put the blade cover on the blade.

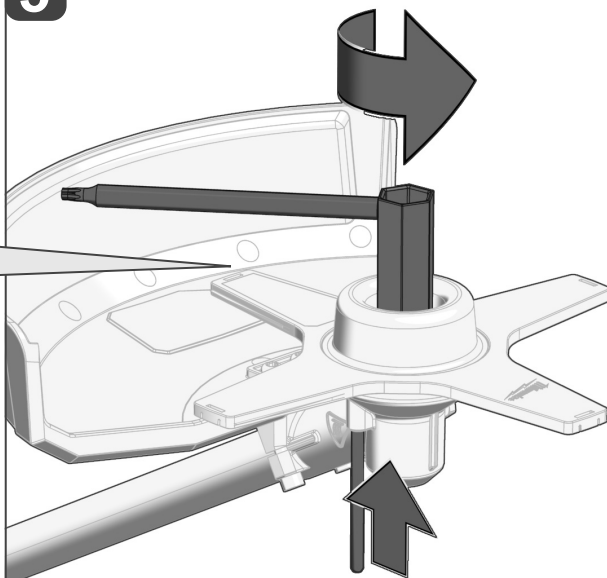


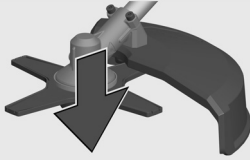
The blade can be used on both sides.



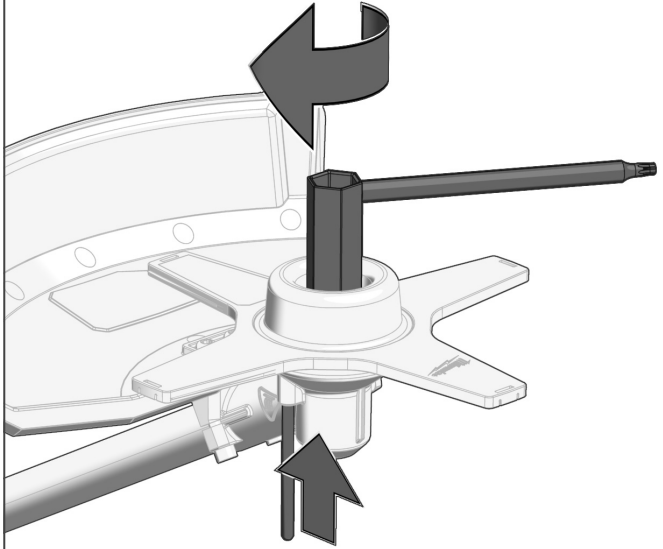
Remove the cutter blade cover before starting up.

5

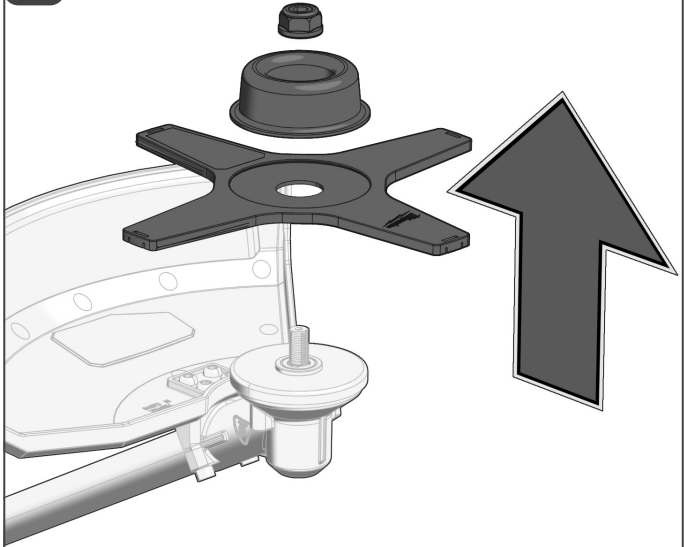


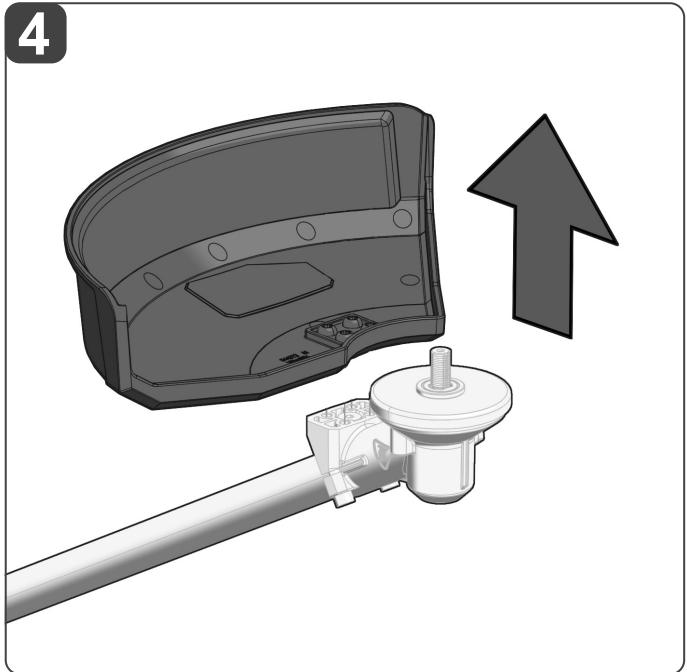
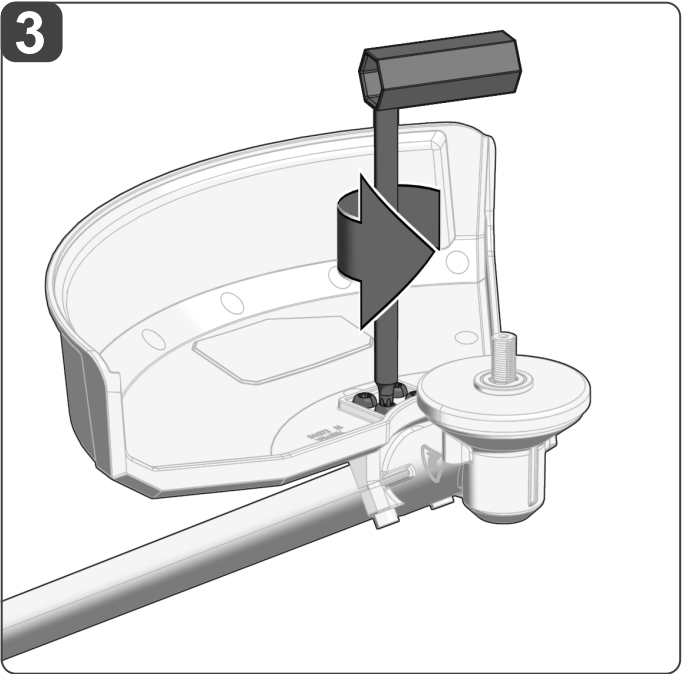


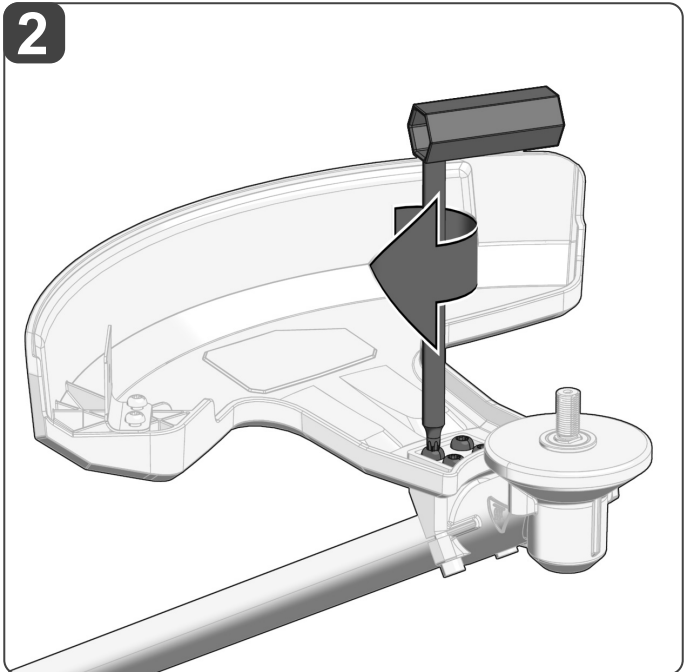
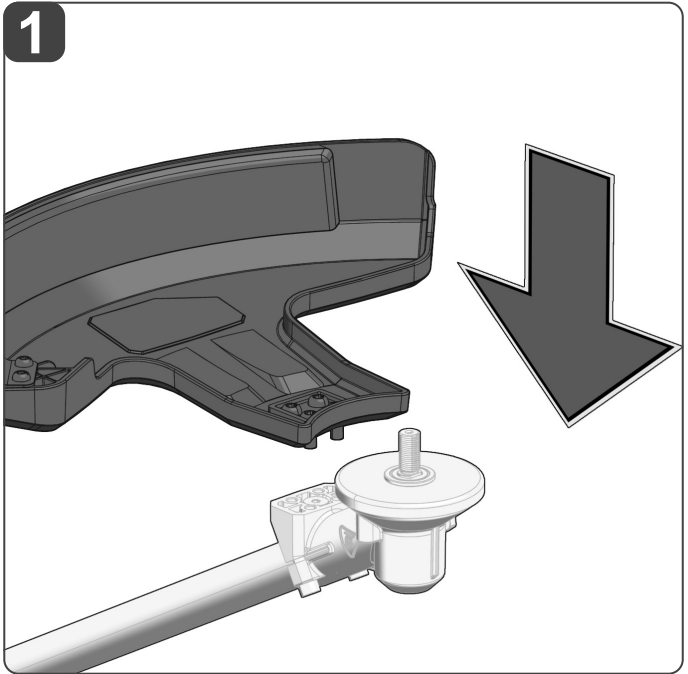
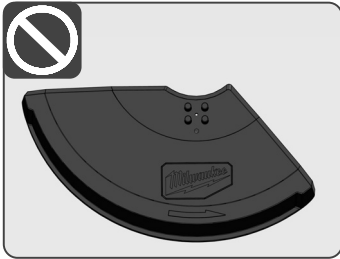
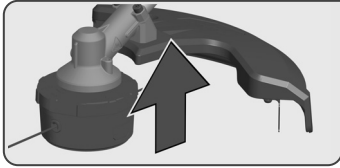
1

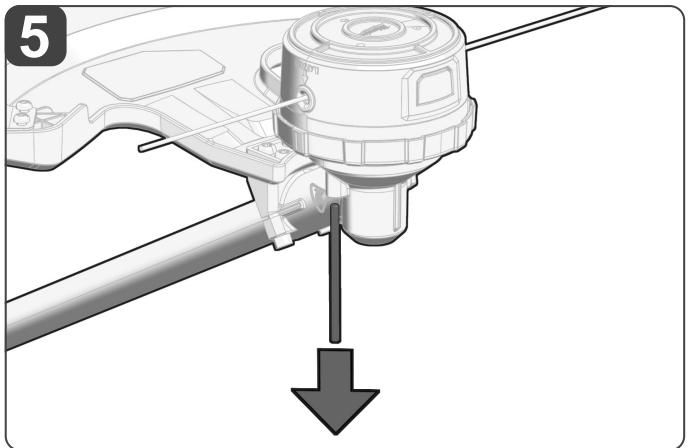
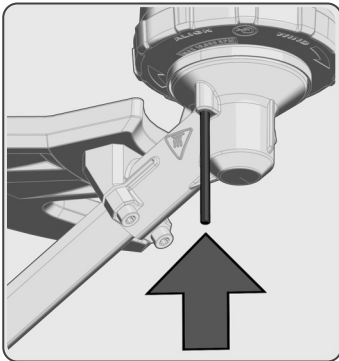
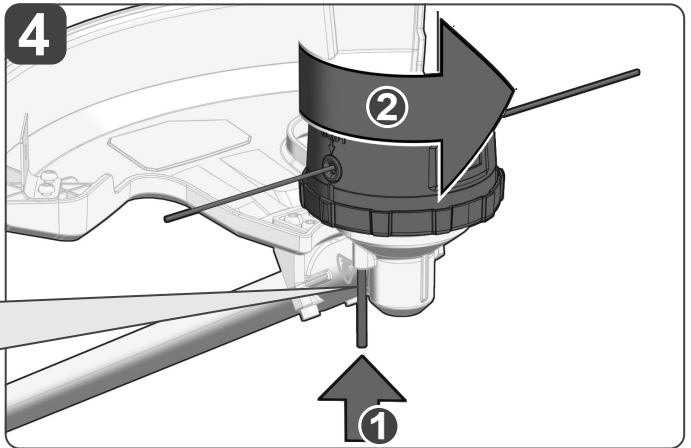
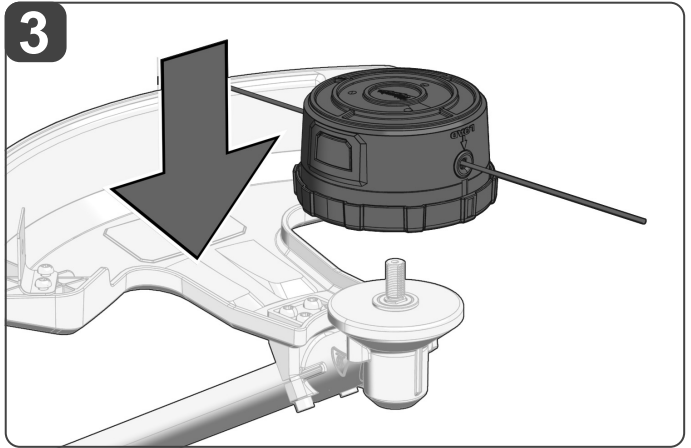


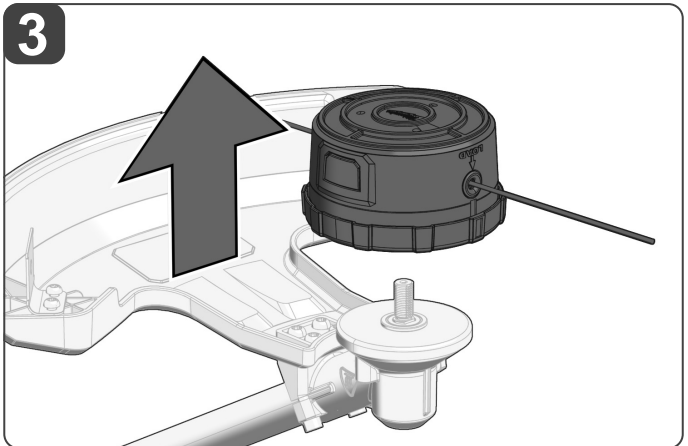
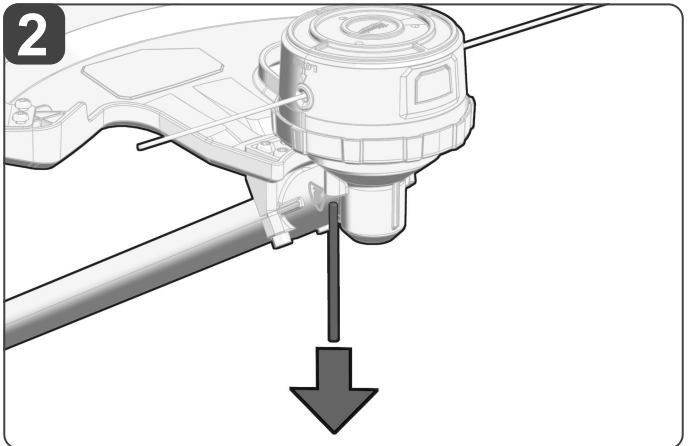
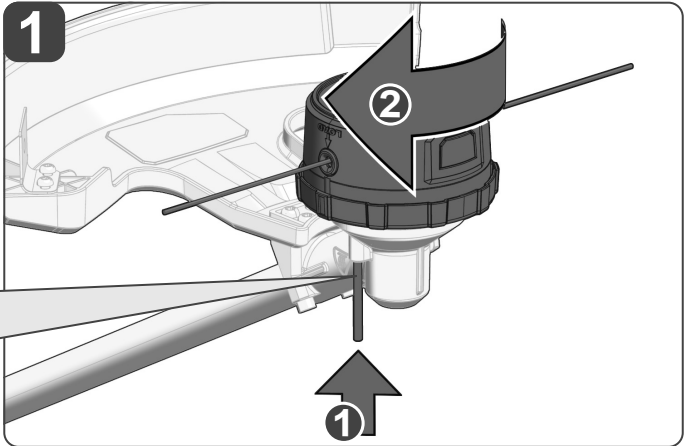
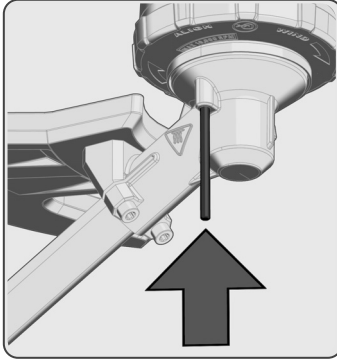
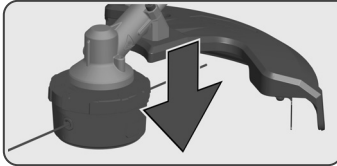
2



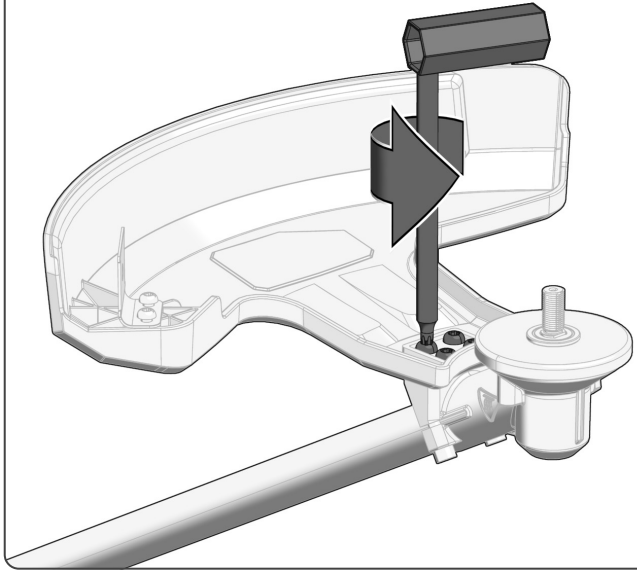




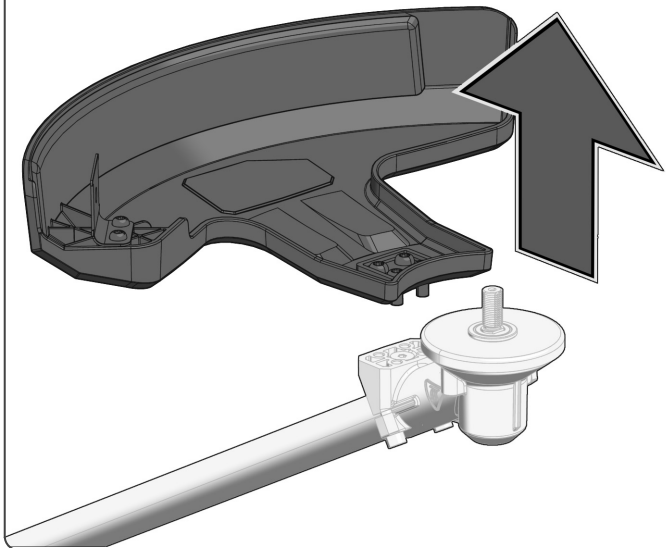




4

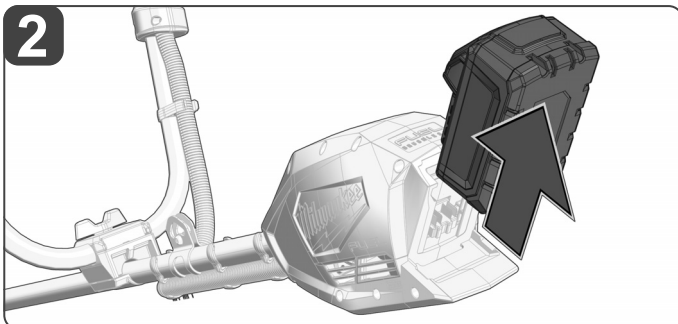
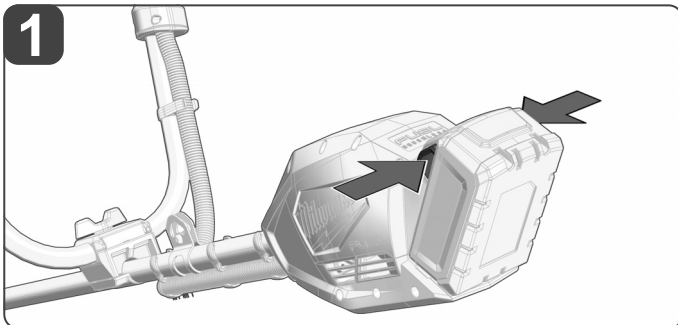
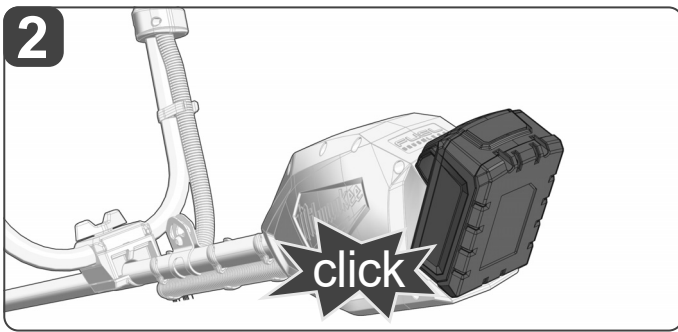
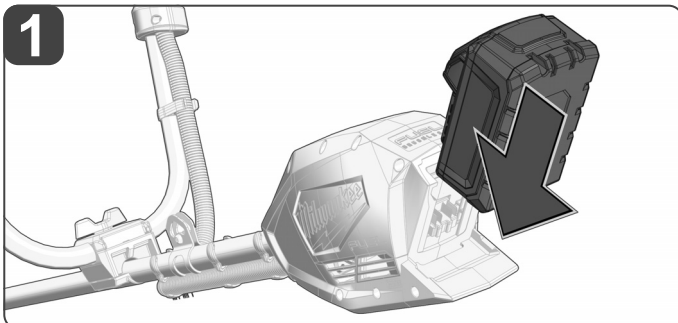


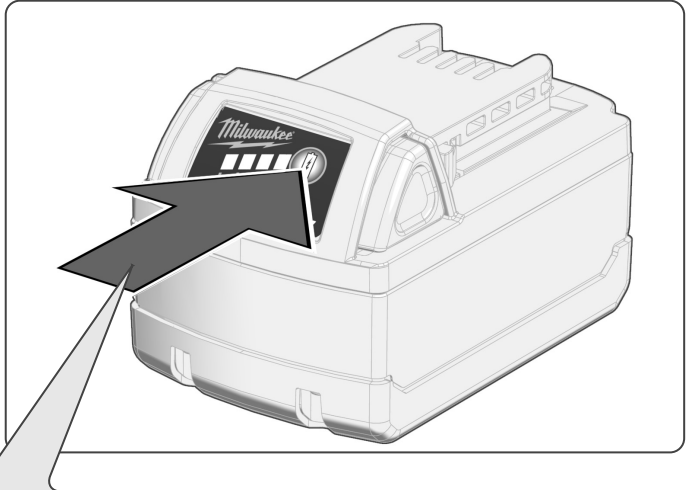
5





Remove the battery pack before starting any work on the machine.





75-100 %



50-75 %



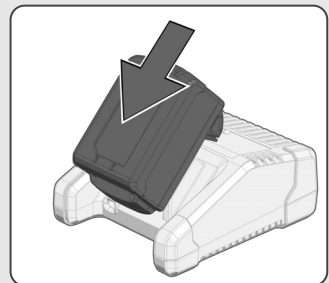
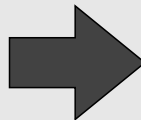
30-50 %

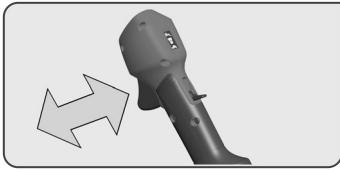


10-30 %

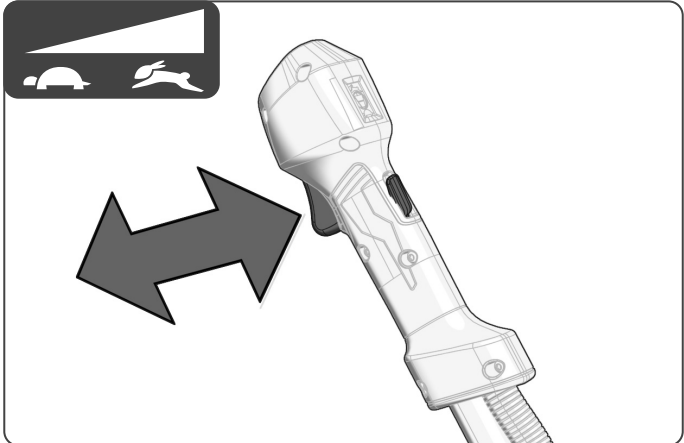
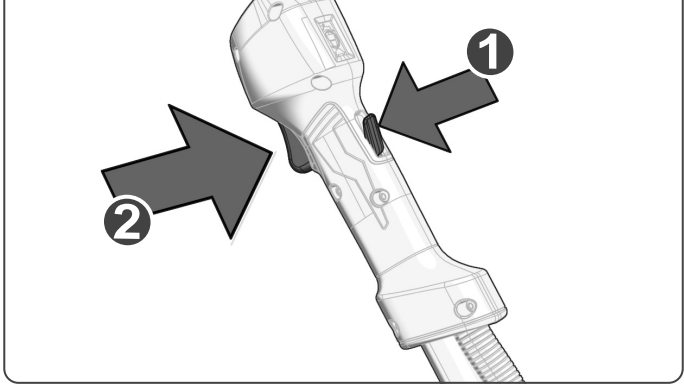


< 10 %

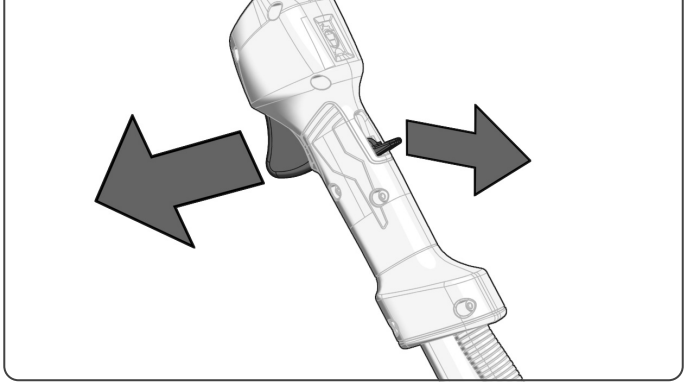


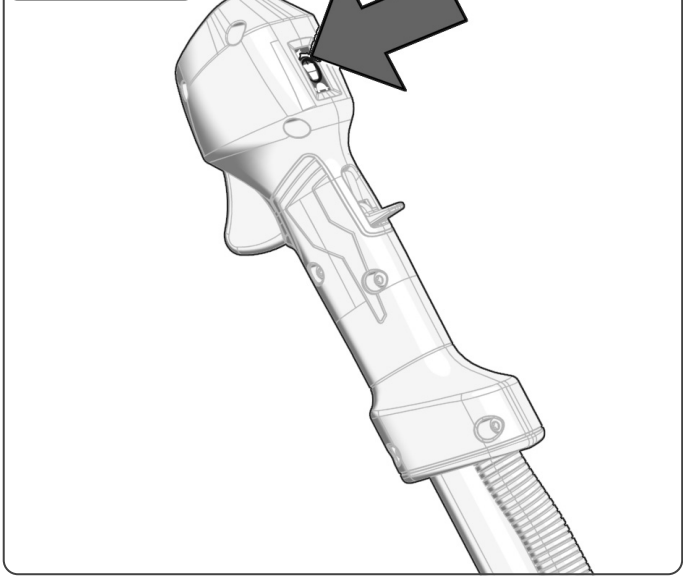
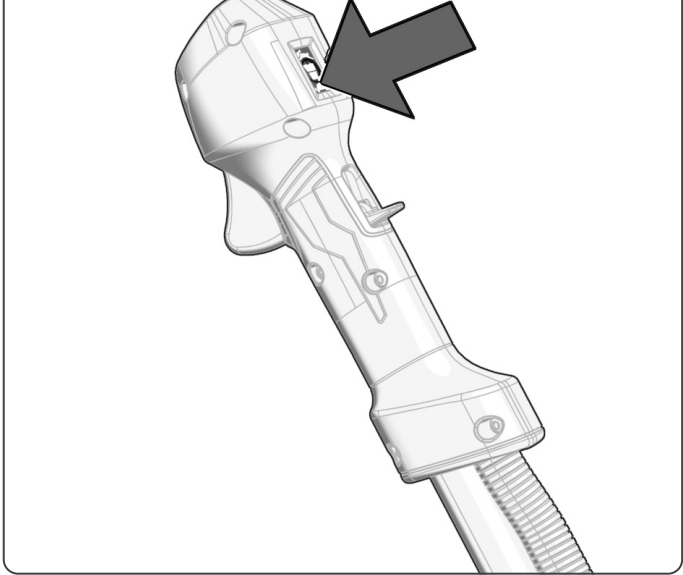
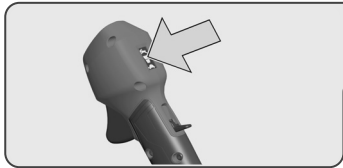


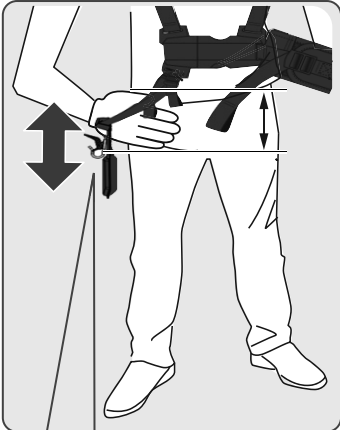
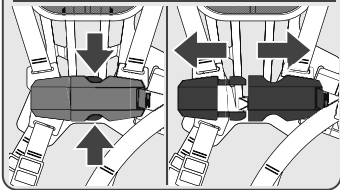
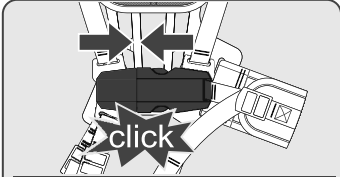
START



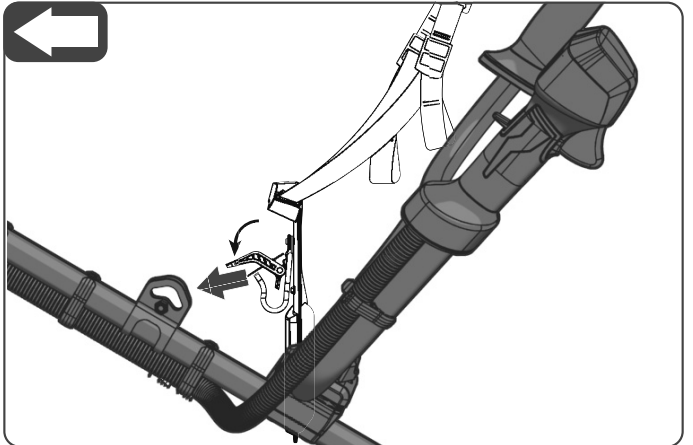
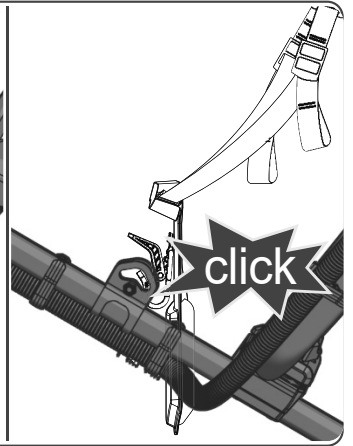
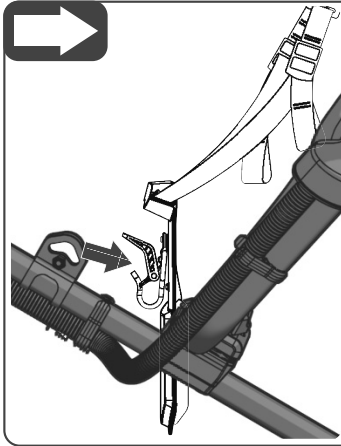
STOP

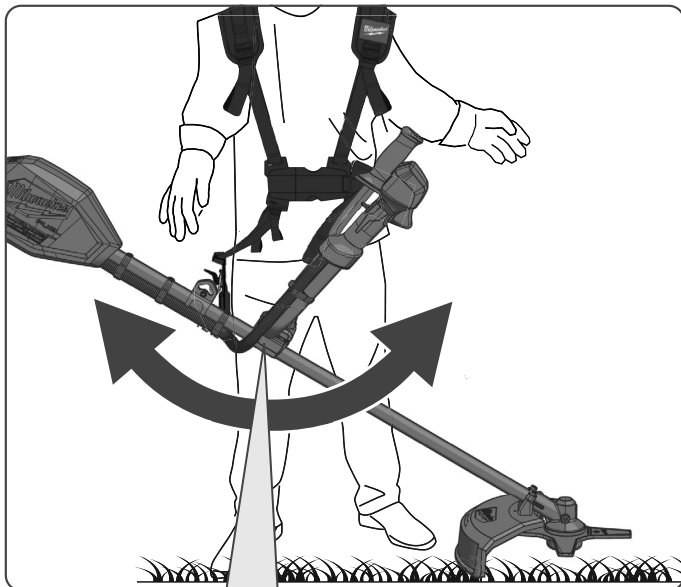
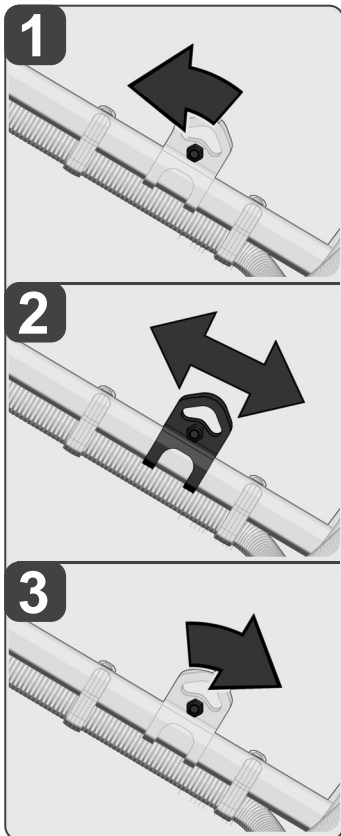






Adjust the strap. The carabiner should be a hand's width below your hip.

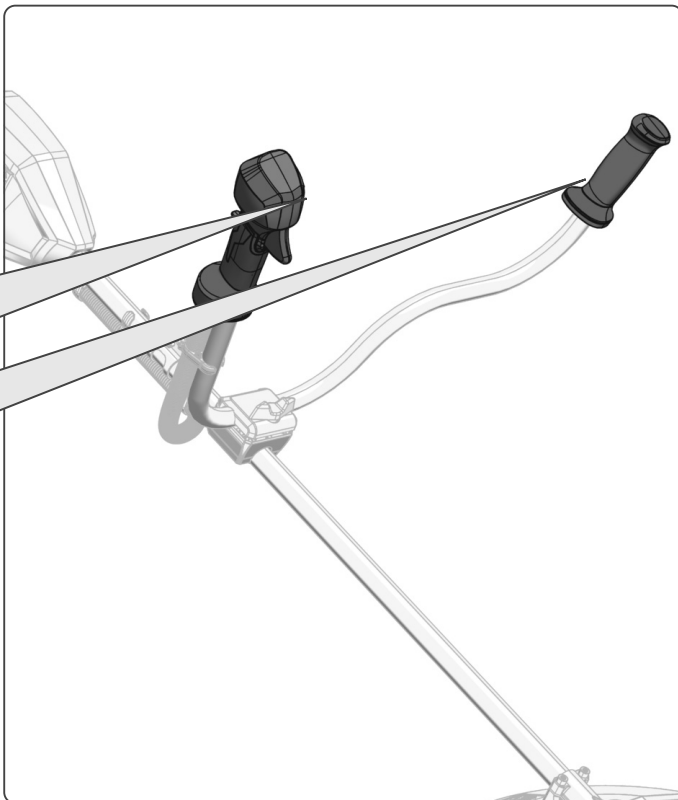


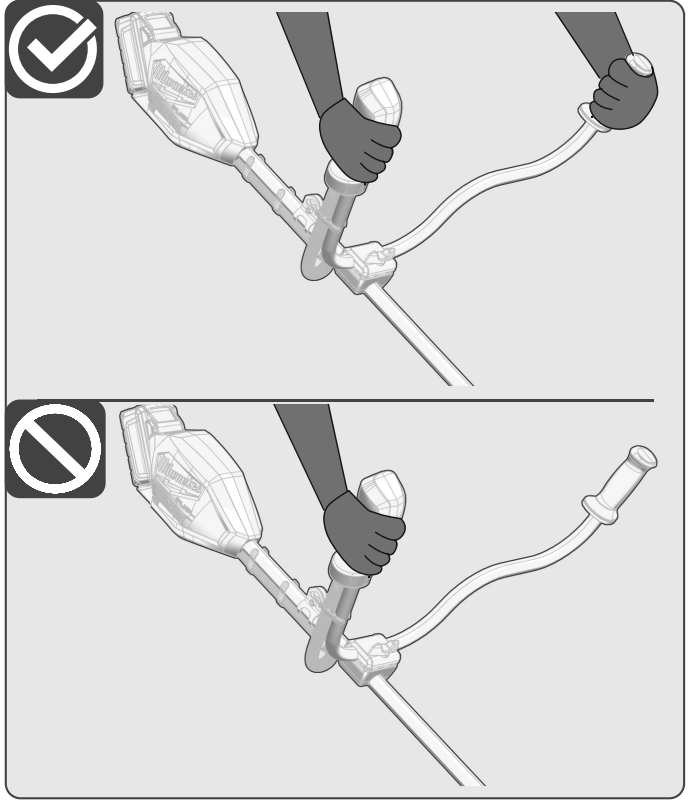


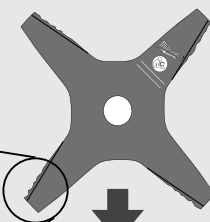
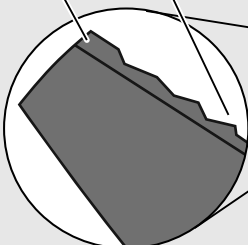
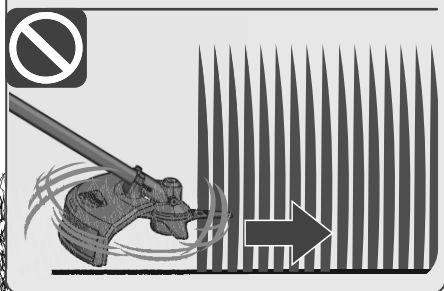
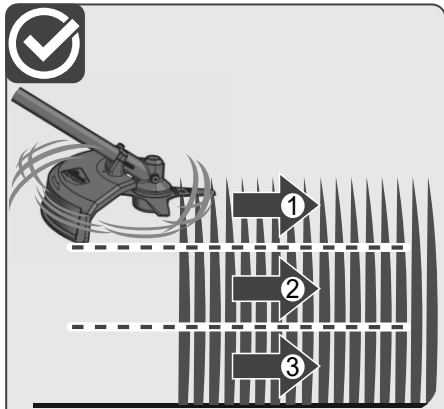
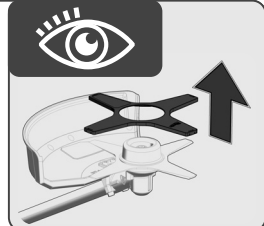
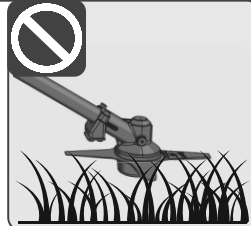
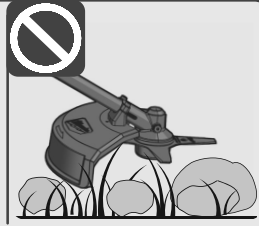
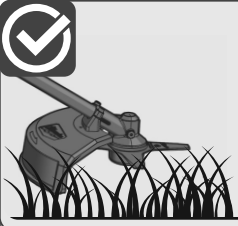
Level the appliance. The blade should touch lightly the ground.



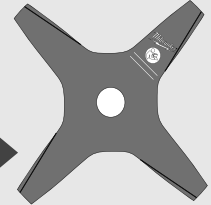
Insulated gripping surface

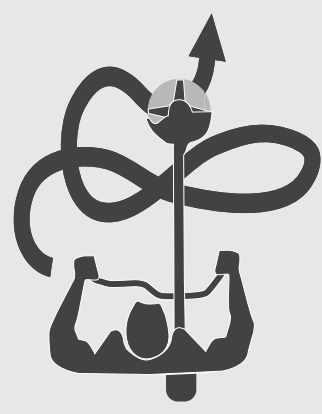
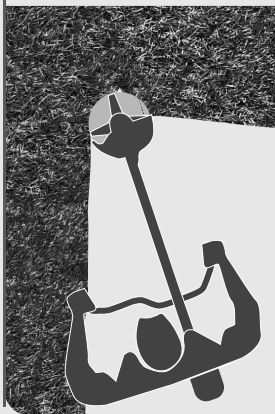
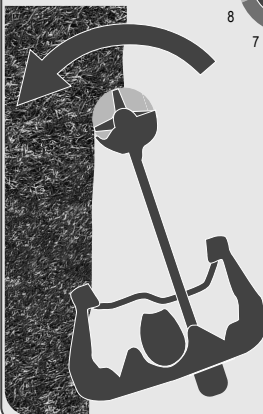
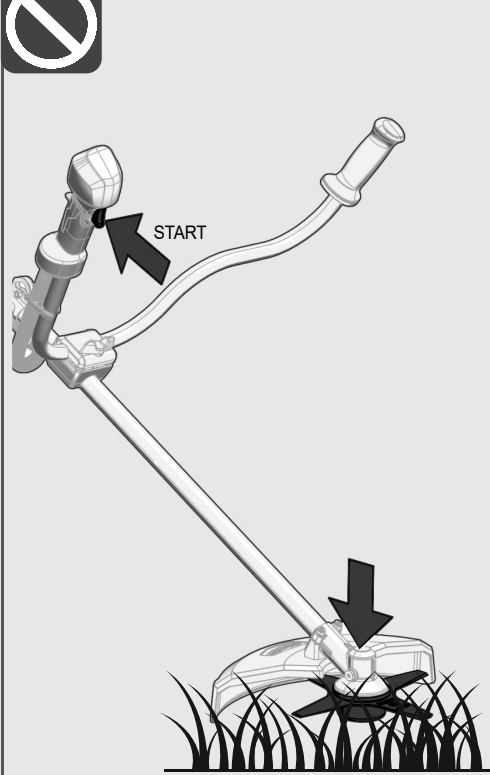
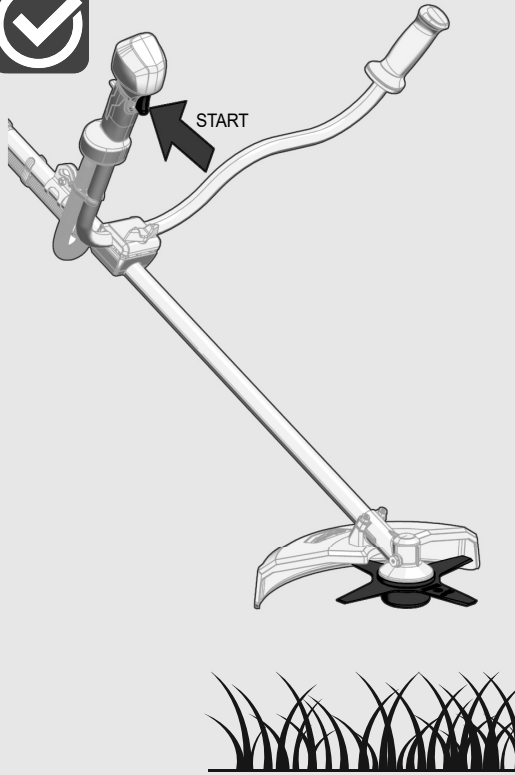


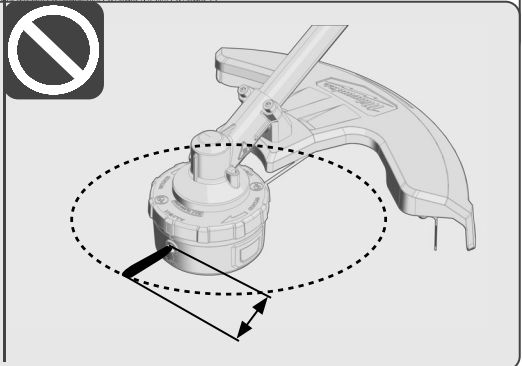
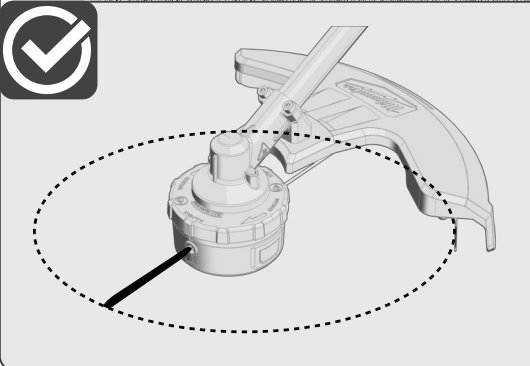
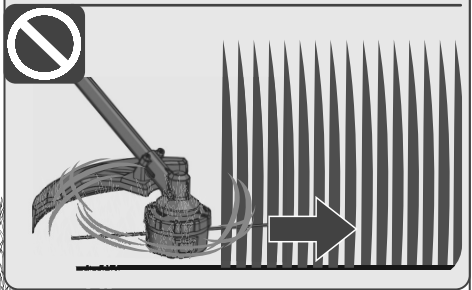
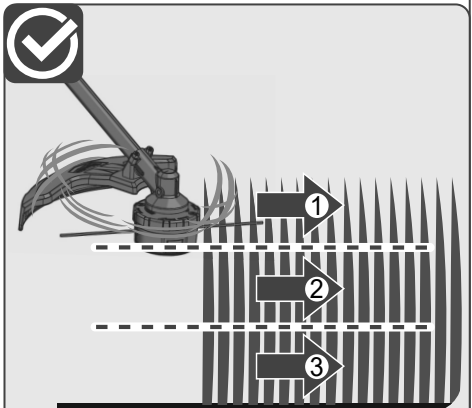
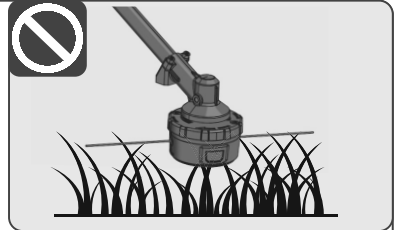
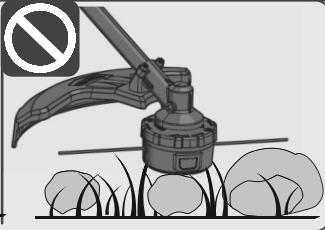


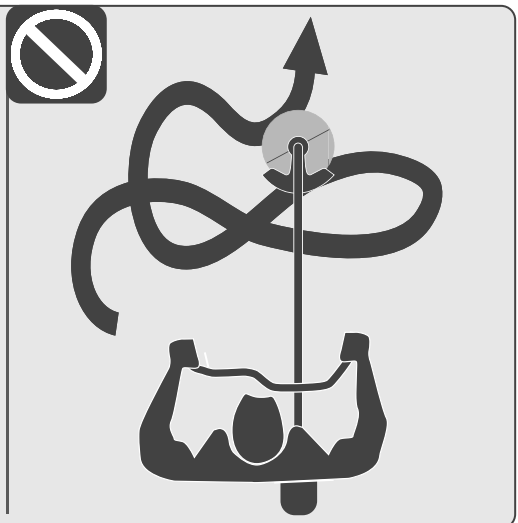
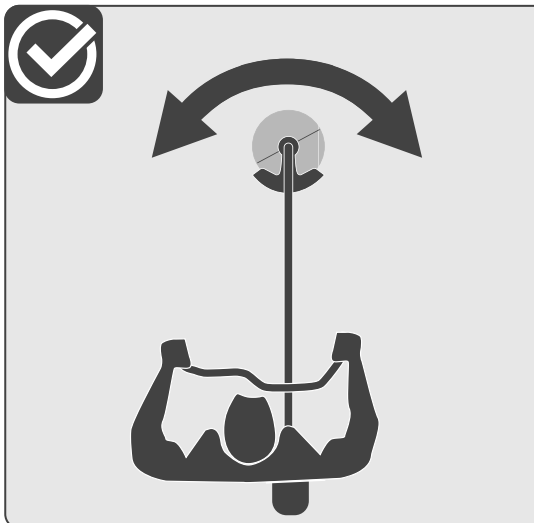
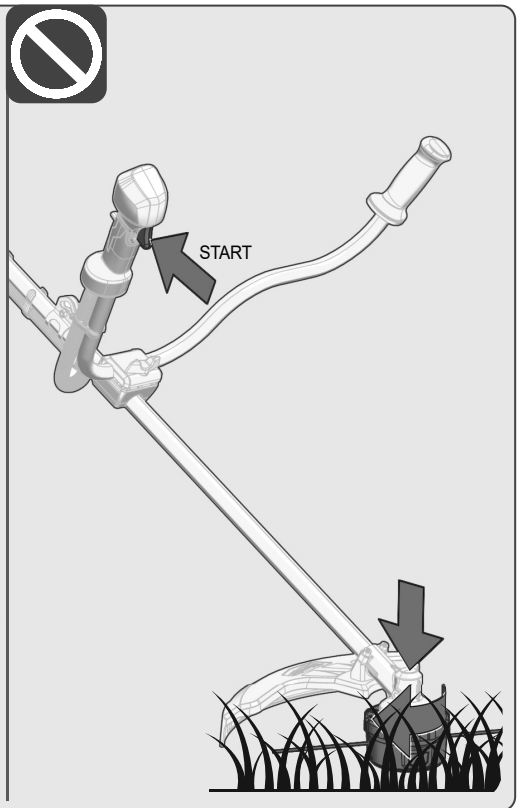
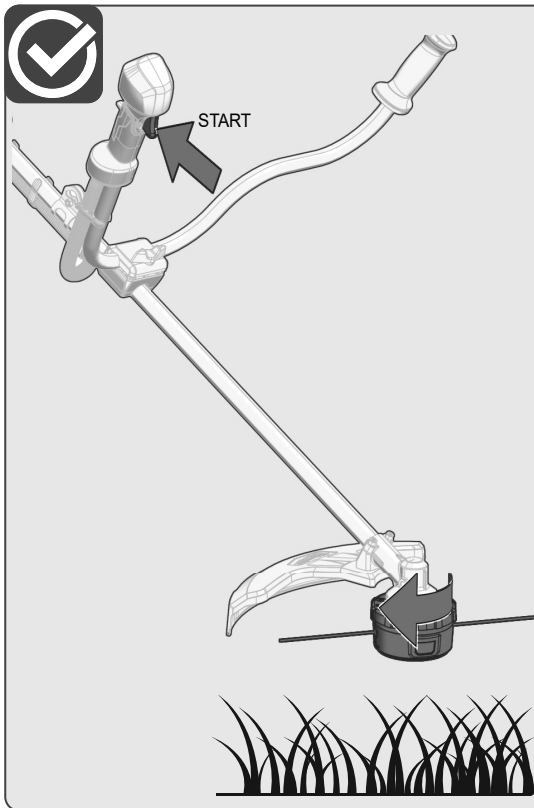


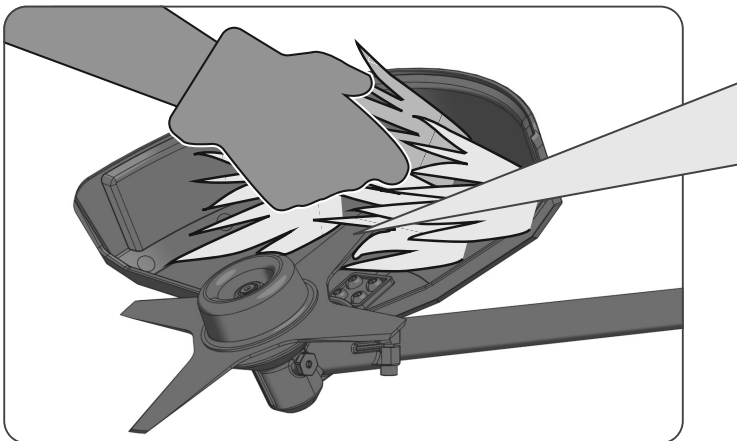
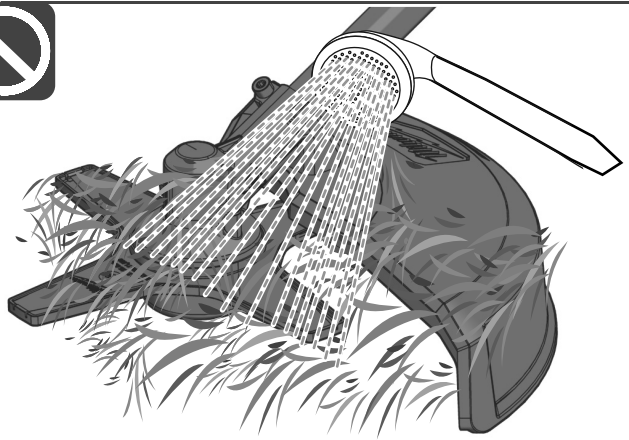
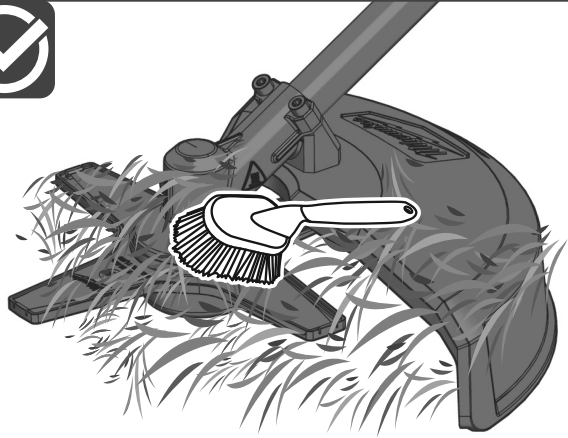
Milwaukee
4932 4810 41







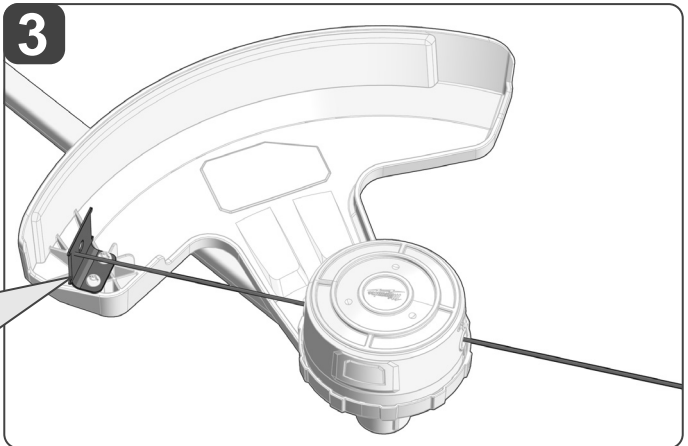
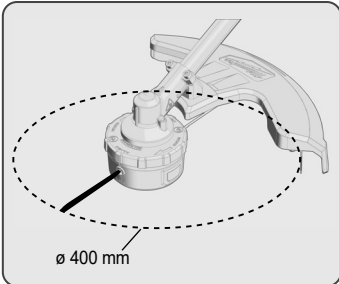
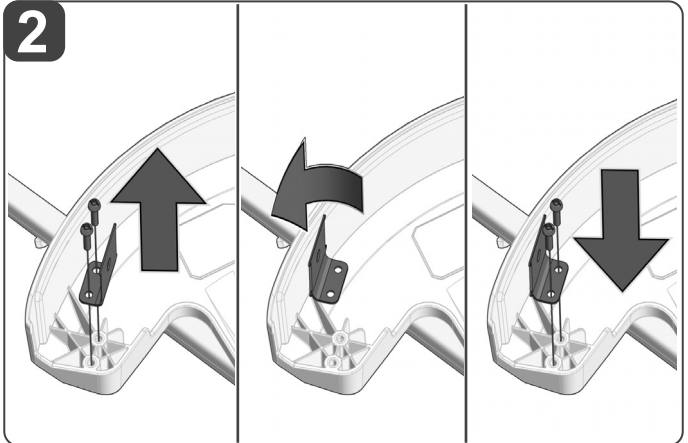
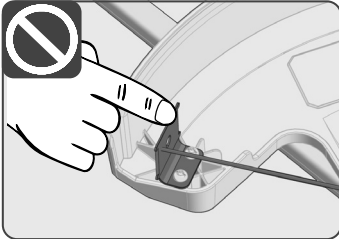
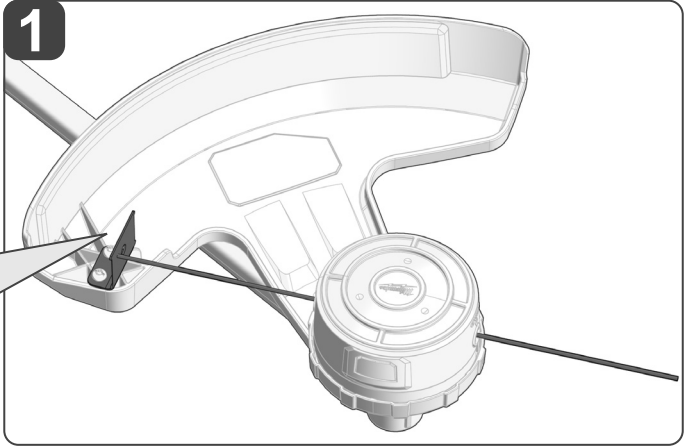
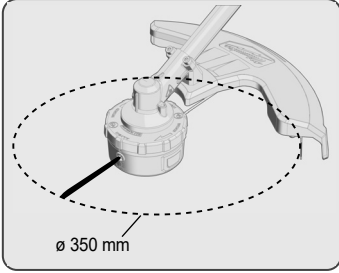






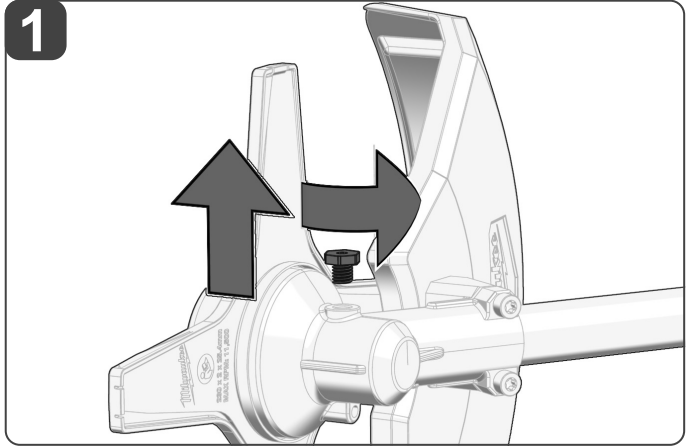
Blocked blades:

Remove battery, turn the machine over and remove jammed wood, grass, etc. Wear protective gloves, knives are sharp!

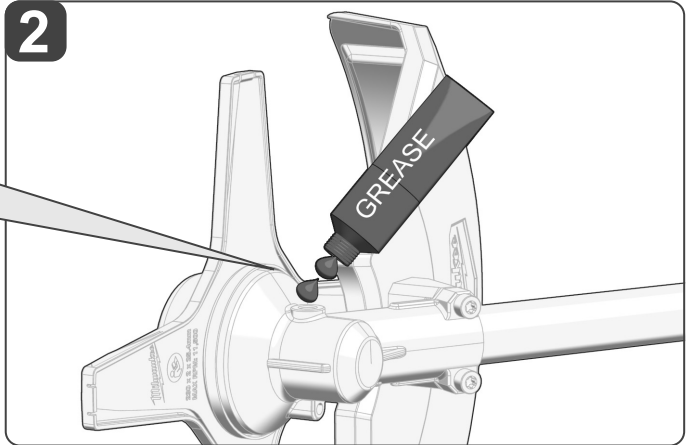




1

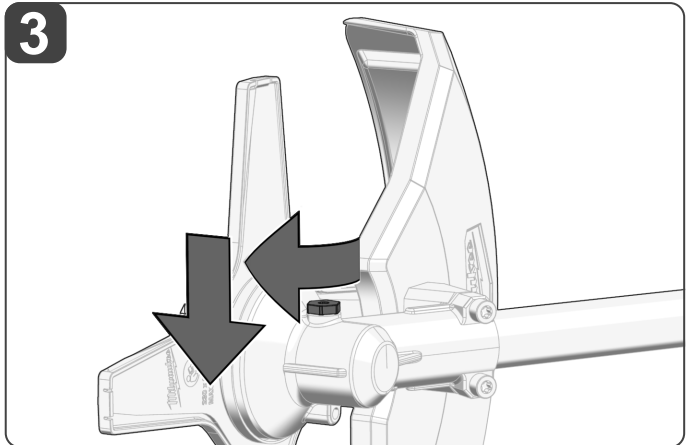


2



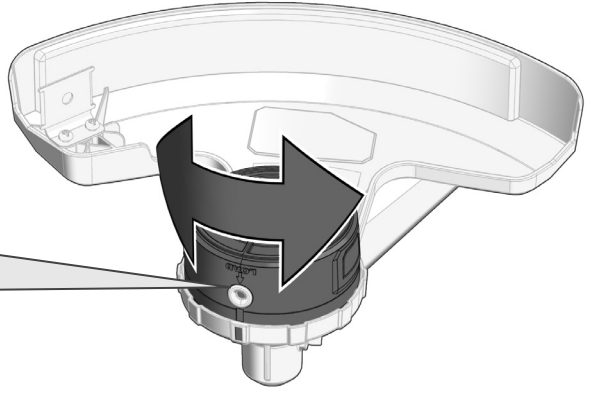
50 h ...100 h ...150 h ...

3

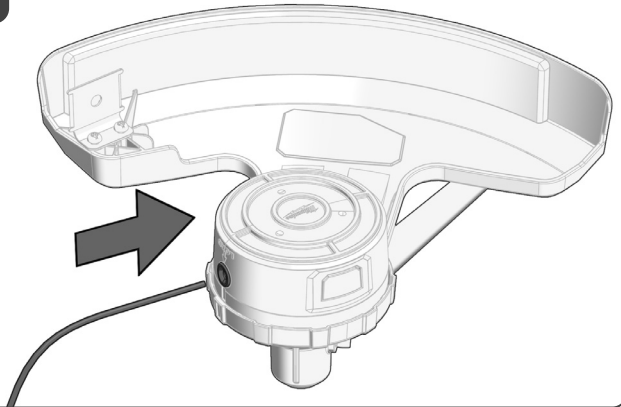




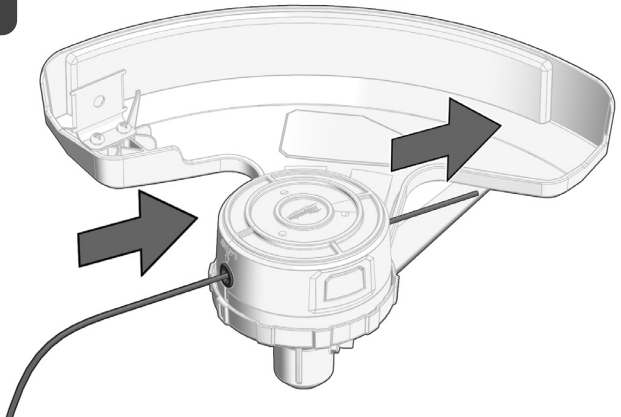
1

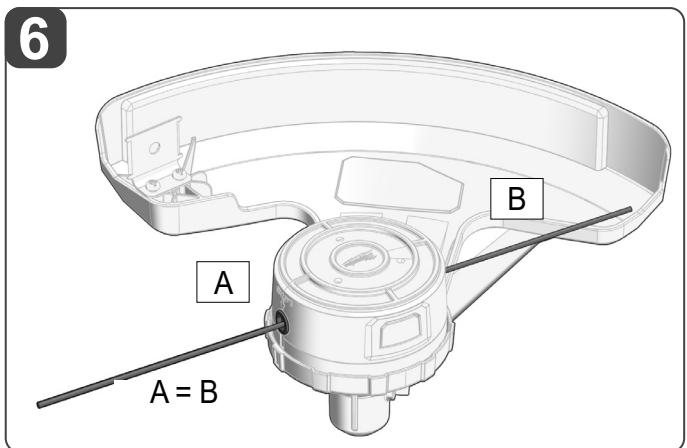
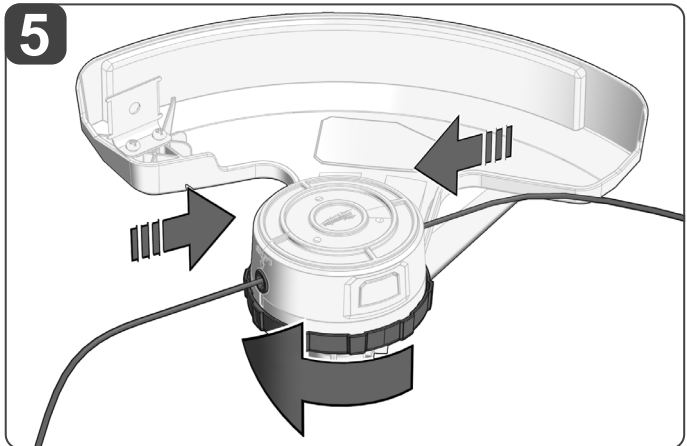
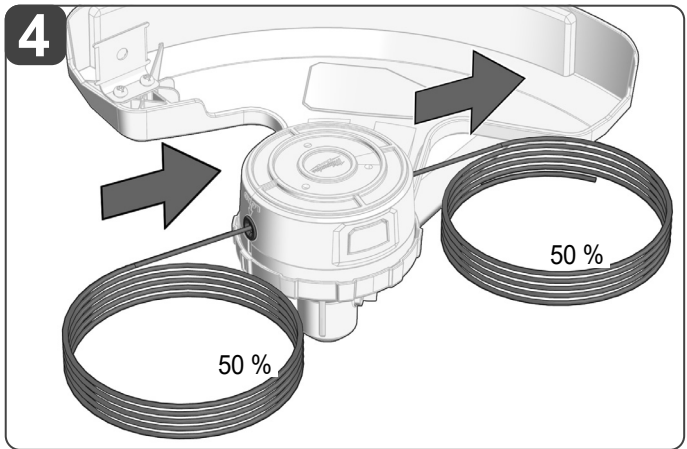


2



3

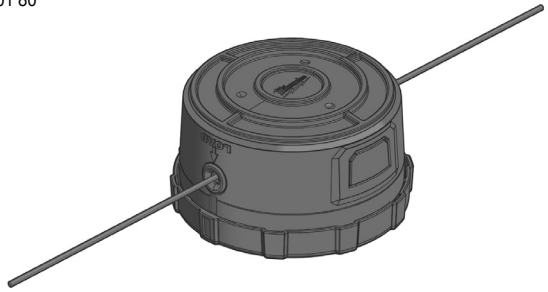




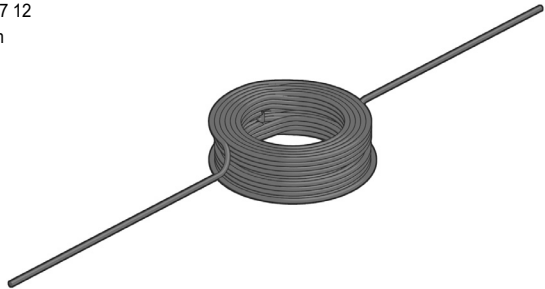


Accessories / Spare parts

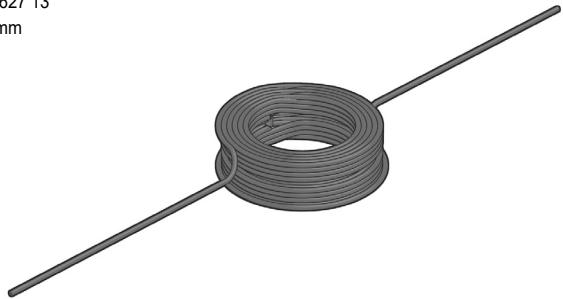
4932 4801 80



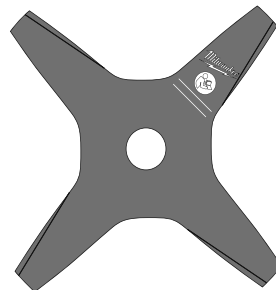
491 627 12
2,0 mm



491 627 13
2,4 mm



4932 4810 41



TECHNICAL DATA	M18 FBCU
Type	Cordless Grass Trimmer / Brush Cutter
Production code	4919 66 01 XXXXXX MJJJJ
Voltage battery	18 V ---
No-load speed, low speed	0-4900 min ⁻¹
No-load speed, high speed	0-6200 min ⁻¹
Cutting line \varnothing max.	2,4 mm
Cutting capacity max.	400 mm
Cutting blade diameter	230 mm
Weight according EPTA-Procedure 01/2014 (2.0 Ah ... 12.0 Ah)	
M18 FBCU Grass Trimmer	5,63 kg ... 6,75 kg
M18 FBCU Brush Cutter	5,63 kg ... 6,75 kg
Weight without battery	
M18 FBCU Grass Trimmer	5,2 kg
M18 FBCU Brush Cutter	5,2 kg
Recommended ambient operating temperature	-18...+50 °C
Recommended battery types	M18B...; M18HB...
Recommended charger	M12-18...; M1418C6

Noise information: Measured values determined according to EN 62841.

Typically, the A-weighted noise levels of the tool are:

Grass trimmer

 Sound pressure level / Uncertainty K

70,4 dB(A) / 3 dB(A)

 Sound power level / Uncertainty K

90,4 dB(A) / 3 dB(A)

Brush cutter

 Sound pressure level / Uncertainty K

70,8 dB(A) / 3 dB(A)

 Sound power level / Uncertainty K

90,8 dB(A) / 3 dB(A)

Always wear ear protectors!

Vibration information: Total vibration values (vector sum in the three axes) determined according to EN 62841.

Vibration emission value a_h / Uncertainty K

Grass trimmer

 Vibration right handle:

< 2,5 m/s² / 1,5 m/s²

 Vibration left handle

< 2,5 m/s² / 1,5 m/s²

Brush cutter

 Vibration right handle:

2,64 m/s² / 1,5 m/s²

 Vibration left handle

2,64 m/s² / 1,5 m/s²

WARNING!

The vibration and noise emission level given in this information sheet has been measured in accordance with a standardized test given in EN 62841 and may be used to compare one tool with another. It may be used for a preliminary assessment of exposure.

The declared vibration and noise emission level represents the main applications of the tool. However if the tool is used for different applications, with different accessories or poorly maintained, the vibration and noise emission may differ. This may significantly increase the exposure level over the total working period.

An estimation of the level of exposure to vibration and noise should also take into account the times when the tool is switched off or when it is running but not actually doing the job. This may significantly reduce the exposure level over the total working period.

Identify additional safety measures to protect the operator from the effects of vibration and/or noise such as: maintain the tool and the accessories, keep the hands warm, organization of work patterns.

WARNING Read all safety warnings, instructions, illustrations and specifications provided with this power tool.

Failure to follow all instructions listed below may result in electric shock, fire and/or serious injury.

Save all warnings and instructions for future reference.

GRASS TRIMMER SAFETY WARNINGS BRUSH CUTTER SAFETY WARNINGS

Do not use the machine in bad weather conditions, especially when there is a risk of lightning. This decreases the risk of being struck by lightning.

Thoroughly inspect the area for wildlife where the machine is to be used. Wildlife may be injured by the machine during operation.

Thoroughly inspect the area where the machine is to be used and remove all stones, sticks, wires, bones, and other foreign

objects. Thrown objects can cause personal injury.

Before using the machine, always visually inspect to see that the cutter or blade and the cutter or blade assembly are not damaged. Damaged parts increase the risk of injury.

Follow instructions for changing accessories. Improperly tightened blade securing nuts or bolts may either damage the blade or result in it becoming detached.

The rated rotational speed of the blade must be at least equal to the maximum rotational speed marked on the machine. Blades running faster than their rated rotational speed can break and fly apart.

Wear eye, ear, head and hand protection. Adequate protective equipment will reduce personal injury by flying debris or accidental contact with the cutting line or blade.

While operating the machine, always wear safety footwear. Do

not operate the machine when barefoot or wearing open sandals.

This reduces the chance of injury to the feet from contact with a moving cutter, line or blade.

While operating the machine, always wear long trousers.

Exposed skin increases the likelihood of injury from thrown objects.

Keep bystanders away while operating the machine. Thrown debris can result in serious personal injury.

Always use two hands when operating the machine. Holding the machine with both hands will avoid loss of control.

Hold the machine by the insulated gripping surfaces only, because the cutting line or blade may contact hidden wiring.

Cutting line or blades contacting a "live" wire may make exposed metal parts of the machine "live" and could give the operator an electric shock.

Always keep proper footing and operate the machine only when standing on the ground. Slippery or unstable surfaces may cause a loss of balance or control of the machine.

Do not operate the machine on excessively steep slopes. This reduces the risk of loss of control, slipping and falling which may result in personal injury.

When working on slopes, always be sure of your footing, always work across the face of slopes, never up or down and exercise extreme caution when changing direction. This reduces the risk of loss of control, slipping and falling which may result in personal injury.

Keep all parts of the body away from the cutter, line or blade when the machine is operating. Before you start the machine, make sure the cutter, line or blade is not contacting anything. A moment of inattention while operating the machine may result in injury to yourself or others.

Do not operate the machine above waist height. This helps prevent unintended cutter or blade contact and enables better control of the machine in unexpected situations.

When cutting brush or saplings that are under tension, be alert for spring back. When the tension in the wood fibres is released, the brush or sapling may strike the operator and/or throw the machine out of control.

Use extreme caution when cutting brush and saplings. The slender material may catch the blade and be whipped toward you or pull you off balance.

Maintain control of the machine and do not touch cutters, lines or blades and other hazardous moving parts while they are still in motion. This reduces the risk of injury from moving parts.

Carry the machine with the machine switched off and away from your body. Proper handling of the machine will reduce the likelihood of accidental contact with a moving cutter, line or blade.

When transporting or storing the machine, always fit the cover on metal blades. Proper handling of the machine will reduce the likelihood of accidental contact with the blade.

Only use replacement cutters, lines, cutting heads and blades specified by the manufacturer. Incorrect replacement parts may increase the risk of breakage and injury.

When clearing jammed material or servicing the machine, make sure the switch is off and the battery pack is removed. Unexpected starting of the machine while clearing jammed material or servicing may result in serious personal injury.

Blade thrust causes and related warnings

Blade thrust is a sudden sideways, forward or backward motion of the machine, which may occur when the blade jams or catches on an object such as a sapling or a tree stump. It can be violent enough to cause the machine and/or operator to be propelled in any direction, and possibly lose control of the machine.

Blade thrust and its related hazards can be avoided by taking proper precautions as given below.

Maintain a firm grip with both hands on the machine and position your arms to resist blade thrust. Position your body to the left side of the machine. Blade thrust can increase the risk of injury due to the machine moving unexpectedly. Blade thrust can be controlled by the operator if proper precautions are taken.

If the blade binds, or when interrupting a cut for any reason, switch the machine off and hold the machine motionless in the material until the blade comes to a complete stop. While the blade is binding, never attempt to remove the machine from the material or pull the machine backward while the blade is in motion, otherwise blade thrust may occur. Investigate and take corrective actions to eliminate the cause of blade binding.

Do not use blunt or damaged blades. Blunt or damaged blades increase the risk of jamming or catching on an object, resulting in blade thrust.

Always maintain good visibility of the material being cut. Blade thrust is more likely to occur in areas where it is difficult to see the material being cut.

If you are approached by another person while operating the machine, switch the machine off. There is an increased risk of injury to other persons being struck by the moving blade in the event of blade thrust.

Only work in a blade cutting range of 8-12 (see illustration on page 25). In the 12-2 area there is an increased risk of a blade thrust.

ADDITIONAL SAFETY WARNINGS

Never allow children, persons with reduced physical, sensory or mental capabilities or lack of experience and knowledge or people unfamiliar with these instructions to use the machine, local regulations may restrict the age of the operator.

Keep hands away from any sharp device intended to limit the length of the filament line.

Keep any ventilation openings clear of debris.

Keep cutting tools sharp and clean. Properly maintained cutting tools with sharp cutting edges are less likely to bind and are easier to control. Sharpening and maintenance of the **cutting accessory** should only be performed by an authorised service centre. Uneven sharpening of the blades can lead to imbalance of the cutting head during operation and to an increased risk of accidents for the user of the tool.

Do not use an attachment extension with this tool attachment. The additional length will make this attachment difficult to control and could cause injury.

Use the shoulder strap to reduce user fatigue and help in maintaining control of the tool during use.

Do not wear multiple shoulder straps simultaneously. When wearing a shoulder strap, ensure that no other wearable interferes with the release and removal of the strap.

Do not use the tool near anything that is burning or smoking such as cigarettes, matches, or hot ashes.

To reduce the risk of health hazards from vapours or dust, do not use tool near toxic, carcinogenic or other hazardous materials such as asbestos, arsenic, barium, beryllium, lead, pesticides or other health endangering materials.

Use care when using around decorative plants and other obstacles. Accessories will cut/damage many materials.

Do not operate the tool without the guard in place. The guard must be attached properly during use. Operating the tool without the guard will cause serious injury.

Do not operate the tool without the front handle in place. The front handle must be attached properly during use.

Do not use the tool as an edger. Do not tilt tool to create a right angle to the ground. Keep brush cutter head parallel to the ground. Guard cannot protect against flying debris in this orientation.

Brace for unexpected movement when contact is made with a hard object. Loss of control could result in serious injury.

Thrown objects may ricochet off of hard surfaces, such as walls, trees, and rocks and cause injury. When possible, do cutting by hand in closed in areas.

Clear the work area before each use. Remove all objects, such as cords, lights, wires, or strings which can be thrown or become entangled in the cutting means.

Beware of thrown objects; keep all bystanders, children, and pets at least 15 m away from work area.

Do not operate in poor lighting. The operator requires a clear view of the work area to identify potential hazards.

Inspect the product before each use. Check for loose fasteners, etc. Make sure all guards and handles are properly and securely attached. Replace any damaged parts before use. Check for battery pack leaks.

Do not modify the product in any way.

Do not allow children or untrained individuals to use the product.

Wear full eye and hearing protection while operating the product. If working in an area where there is a risk of falling objects, wear appropriate head protection.

Secure long hair so it is above shoulder level to prevent entanglement in moving parts.

Do not use the product when you are tired, ill, or under the influence of alcohol, drugs, or medication.

Before starting the product, make sure the cutting blades will not come in contact with anything.

Keep firm footing and balance. Do not overreach. Overreaching can result in loss of balance or exposure to hot surfaces.

Blades are sharp. When handling the blade assembly, wear non-slip, heavy duty protective gloves. Never touch the blade nor service the product unless the battery pack is removed.

⚠ WARNING! If the product is dropped, suffers heavy impact, or begins to vibrate abnormally, immediately stop the product and inspect for damage or identify the cause of the vibration. Any damage should be properly repaired or replaced by an authorised service centre.

Remove the battery pack before starting any work on the machine.

Do not dispose of used battery packs in the household refuse or by burning them. Milwaukee Distributors offer to retrieve old batteries to protect our environment.

Do not store the battery pack together with metal objects (short circuit risk).

Use only System M18 chargers for charging System M18 battery packs. Do not use battery packs from other systems.

Battery acid may leak from damaged batteries under extreme load or extreme temperatures. In case of contact with battery acid wash it off immediately with soap and water. In case of eye contact rinse thoroughly for at least 10 minutes and immediately seek medical attention.

Warning! To reduce the risk of fire, personal injury, and product damage due to a short circuit, never immerse your tool, battery pack or charger in fluid or allow a fluid to flow inside them. Corrosive or conductive fluids, such as seawater, certain industrial chemicals, and bleach or bleach containing products, etc., can cause a short circuit.

SPECIFIED CONDITIONS OF USE

The product is only intended for use outdoors by a standing operator.

Grass Trimmer:

The product is designed for cutting grass, light weeds, and other similar vegetation at or about ground level.

The cutting plane should be approximately parallel to the ground surface when trimming.

Brush Cutter:

The product is designed for removing smaller shrubs and bushes, cutting saplings, trimming, thinning, clearing weeds, cutting long grass and clearing nettles in domestic and hobby gardens.

The product should not be used to cut or trim hedges, bushes, or other vegetation where the cutting plane is not at or about ground surface level.

Do not use this product in any other way as stated for normal use.

RESIDUAL RISK

Even when the product is used as prescribed, it is still impossible to completely eliminate certain residual risk factors. The following hazards may arise in use and the operator should pay special

attention to avoid the following:

- Injury caused by vibration.
Hold the product by designated handles and restrict working time and exposure.
- Exposure to noise can cause hearing injury.
Wear ear protection and limit exposure.
- Injury due to flying debris
Wear eye protection, heavy long trousers, gloves and substantial footwear at all times.
- Inhalation of toxic dusts.

NOTES FOR LI-ION BATTERIES

Use of Li-Ion batteries

Battery packs which have not been used for some time should be recharged before use.

Temperatures in excess of 50°C (122°F) reduce the performance of the battery pack. Avoid extended exposure to heat or sunshine (risk of overheating).

The contacts of chargers and battery packs must be kept clean.

For an optimum life-time, the battery packs have to be fully charged, after used.

To obtain the longest possible battery life remove the battery pack from the charger once it is fully charged.

For battery pack storage longer than 30 days:

Store the battery pack where the temperature is below 27°C and away from moisture

Store the battery packs in a 30% - 50% charged condition

Every six months of storage, charge the pack as normal.

Battery protection for Li-Ion Akkus

In extremely high torque, binding, stalling and short circuit situations that cause high current draw, the tool will vibrate for about 5 seconds, the fuel gauge will flash, and then the tool will turn OFF. To reset, release the trigger.

Under extreme circumstances, the internal temperature of the battery pack could raise too much. If this happens, the fuel gauge will flash until the battery pack cooled down. After the lights go off, the work may continue.

Transport of Lithium Batteries

Lithium-ion batteries are subject to the Dangerous Goods Legislation requirements.

Transportation of those batteries has to be done in accordance with local, national and international provisions and regulations.

- The user can transport the batteries by road without further requirements.
- Commercial transport of Lithium-Ion batteries by third parties is subject to Dangerous Goods regulations. Transport preparation and transport are exclusively to be carried out by appropriately trained persons and the process has to be accompanied by corresponding experts.

When transporting batteries:

- Ensure that battery contact terminals are protected and insulated to prevent short circuit.
- Ensure that battery pack is secured against movement within packaging.
- Do not transport batteries that are cracked or leak.

Check with forwarding company for further advice.

OPERATION

Grass Trimmer

To feed out the line, bump the trimmer head spool against the ground gently while running a normal speed. NOTE: When used near abrasive surfaces or in dense growth, the cutting line will wear faster and require "bumping" more often.

Brush Cutter

Allow the tool to angle down, keeping at least 30 cm between the brush cutter head and any body part. Hold the tool just above the ground and swing the head side to side.

NOTE: The brush cutter will cut best when moved across the ground in the opposite direction of the arrow on the guard.

WARNING! Do not use tool as an edger. Do not tilt tool to create a right angle to the ground. Keep brush cutter head parallel to the ground. Guard cannot protect against flying debris in this orientation.

Materials to cut:

Thick grass, brush, weeds, small diameter trees and saplings.

CUTTING TIPS

Grass Trimmer

Allow the ends of the line to do the cutting.

Contact between the line and solid objects will cause extra line wear and breakage.

Do not drag the spool cover along the ground or bump it too hard. Only bump spool on the ground. Do not bump against rocks, driveways, etc.

Make multiple passes in long growth.

Avoid ornamental trees, shrubs, and plantings. Avoid contact with siding, fence posts, etc. They can all be damaged by the trimmer.

Brush Cutter

Make multiple passes in long growth to avoid blockages.

Avoid ornamental trees, shrubs, and plantings. Avoid contact with siding, fence posts, etc. They can all be damaged by the tool.

REPLACING CUTTING LINE

Use only MILWAUKEE trimmer line (see technical data). Replace the cutting line with either 6 m of 2,4 mm line or 7,6 m of 2 mm line. Note, when used near abrasive surfaces or in dense growth, the cutting line will wear faster.

For replacing cutting line see picture section.

Under normal operation, the remaining string should be thrown from the spinning head during use. If any string remains in the head, or to remove a length of string to replace with a different type, turn the trimmer head over and press the release tabs and pull the cover away from the head.



Discard any short line remnants. Snap the cover back onto the trimmer head.

TRANSPORTATION AND STORAGE

Always turn off the tool when transporting from one location to another. Do not carry tool with finger on the trigger. Accidental starting can cause serious personal injury.

Remove the battery and allow it to cool before storing or transporting. Carry the tool by the front handle to avoid accidental starting. Proper handling of the tool will prevent injury.

For transportation in vehicles, secure the product against movement or falling to prevent injury to persons or damage to the product.

Clean all foreign materials from the product. Store the product in a cool, dry, and well-ventilated place that is inaccessible to children. Keep away from corrosive agents, such as garden chemicals and de-icing salts. Do not store outdoors.

Do not immerse in water or spray with a hose. Do not clean with a pressure washer. Water entering a power tool will increase the risk of electric shock. Store tool indoors.

Do not store the power tool on or near to fertilizers or chemicals.

MAINTENANCE

Clean and maintain the brush cutter before storage.

The ventilation slots of the machine must be kept clear at all times.

Servicing requires extreme care and knowledge and should be performed only by a qualified service technician. For service, we suggest you return the product to your nearest authorised service center for repair. When servicing, use only identical replacement parts.

Switch off and remove battery pack before conducting any maintenance or cleaning work.

You may make adjustments and repairs described here. For other repairs, contact the authorised service agent.

For replacement line, use only nylon filament line of the diameter described in the specification table of this manual.

After extending new cutter line, always return the product to its normal operating position before starting.

After each use, clean the product with a soft dry cloth. Any part that is damaged should be properly repaired or replaced by an authorised service centre.
















Check all nuts, bolts, and screws at frequent intervals for proper tightness to ensure the product is in safe working condition.






Use only Milwaukee accessories and Milwaukee spare parts. Should components need to be replaced which have not been described, please contact one of our Milwaukee service agents (see our list of guarantee/service addresses).

If needed, an exploded view of the tool can be ordered. Please state the machine type printed as well as the six-digit No. on the label and order the drawing at your local service agents or directly at: Techtronic Industries GmbH, Max-Eyth-Straße 10, 71364 Winnenden, Germany.

SYMBOLS

	Please read the instructions carefully before starting the machine.
	CAUTION! WARNING! DANGER!
	Remove the battery pack before starting any work on the machine.
	Wear gloves!
	Wear ear protectors!
	Always wear goggles when using the machine.
	Wear a protective helmet! Wear goggles. Wear ear protectors!
	Wear safety shoes!
	Wear long trousers.

	Use both hands while operating.
	Keep bystanders at least 15 m away during use.
	Caution – hot surfaces!
	Ensure that nobody is at risk of materials being catapulted out or falling.
	Beware of blade thrust.
	Keep hands and feet away from the blade
	WARNING - Disconnect battery before maintenance.
	Do not use with saw blades, edger blades or shredder blades.
	Never expose tool to rain.
	The guaranteed sound power level is 96 dB.
	Keep distance.
	Higher MAX speed.
	Lower MAX speed
	Parts or accessories sold separately.
	Do not dispose of waste batteries, waste electrical and electronic equipment as unsorted municipal waste. Waste batteries and waste electrical and electronic equipment must be collected separately. Waste batteries, waste accumulators and light sources have to be removed from equipment. Check with your local authority or retailer for recycling advice and collection point. According to local regulations retailers may have an obligation to take back waste batteries and Waste electrical and electronic equipment free of charge. Your contribution to re-use and recycling of waste batteries and waste electrical and electronic equipment helps to reduce the demand of raw materials. Waste batteries, in particular containing lithium and waste Electrical and electronic equipment contain valuable, recyclable materials, which can adversely impact the environment and the human health, if not disposed of in an environmentally compatible manner. Delete personal data from waste equipment, if any.
n_0	No-load-speed
V	Voltage

	Direct Current
	European Conformity Mark
	British Conformity Mark
	Ukraine Conformity Mark
	EurAsian Conformity Mark

GB-DECLARATION OF CONFORMITY

We declare as the manufacturer under our sole responsibility that the product described under "Technical Data" fulfills all the listed below relevant regulations and that the following designated standards have been used.

S.I. 2008/1597 (as amended)
S.I. 2016/1091 (as amended)
S.I. 2012/3032 (as amended)
S.I. 2001/1701 (as amended) (in Grass Trimmer configuration)

BS EN 62841-1:2015
BS IEC 62841-4-4:2020
BS FprEN IEC 62841-4-4+FprAA
BS EN IEC 55014-1:2021
BS EN IEC 55014-2:2021
BS EN IEC 63000:2018

Grass Trimmer configuration:

Measured sound power level: 93,6 dB (A)

Guaranteed sound power level: 96 dB (A)

Conformity assessment procedure according to S.I.2001/1701

Schedule 9

Notified Body number: 0366

VDE Prüf- und Zertifizierungsinstitut GmbH, Testing and Certification
Institute, Merianstrasse 28, 63069 Offenbach, Germany

Winnenden, 2022-08-29



Alexander Krug
Managing Director

Techtronic Industries GmbH
Max-Eyth-Straße 10
71364 Winnenden
Germany

Authorized to compile the technical file:

Techtronic Industries (UK) Ltd
Parkway
Marlow SL7 1YL
UK

Copyright 2022

Techtronic Industries GmbH
Max-Eyth-Str. 10
71364 Winnenden
Germany

+49 (0) 7195-12-0

www.milwaukeeetool.eu

Techtronic Industries (UK) Ltd
Parkway
Marlow SL7 1YL
UK

(11.22)

4100 4707 55