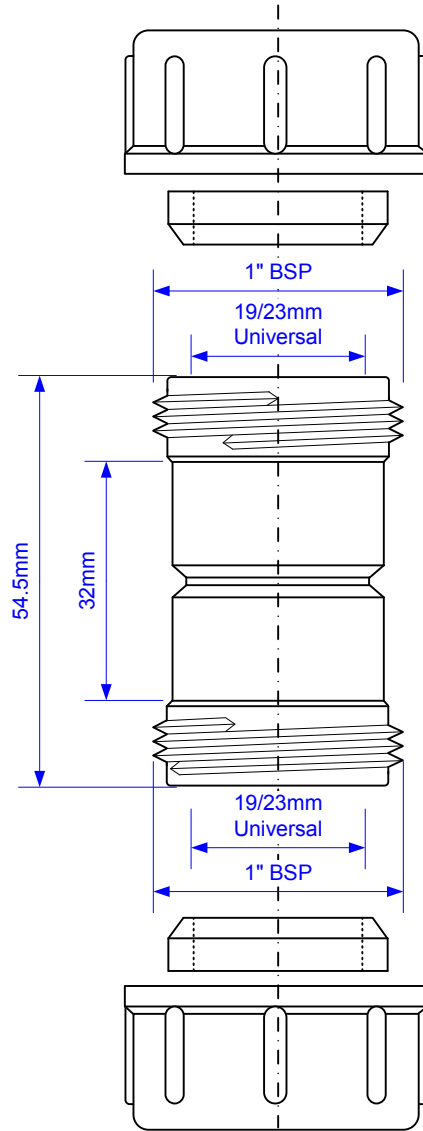


Code:

R1M



© McALPINE  
30/06/2006

Drawing verified  
correct as of:

13/07/2016  
RM

DRAWN BY

RM

SCALE

1: 1

REVISED

30/06/2006, 22/05/2014  
13/07/2016

FILENAME

R1M.VSD

DATE

13/07/2016