



WARNING

THOR

USER GUIDE - 28014T by Labgear

32-70"

Anti-theft Heavy Duty Tilt TV Wall Mount

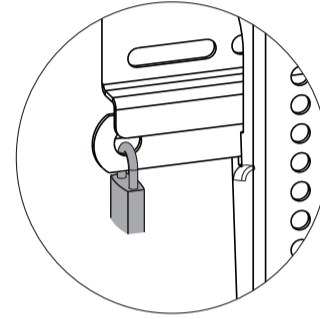
- We have not supplied wall fixings with this product. All walls differ in strength and thickness. Consult a qualified installer or seek advice from your local DIY/hardware store on purchasing suitable wall fixings to safely mount the bracket on the type of wall being used.
- Check the components list and images to check there are no missing or defective parts.
- Never exceed the Maximum Weight Capacity.
- Read these instructions carefully before installation. If in any doubt about safely installing this product, contact a professional installer for assistance.
- This product was designed to be installed on wood stud walls and solid concrete/brick walls. When fixing to walls screws/bolts should be fixed into bricks/stone not into mortar courses.
- Make sure the wall will support the combined load of the equipment and hardware. Also check for hidden wiring or plumbing.
- Make sure that the heads of the screws/bolts you buy as wall fastenings are the correct size to hold the bracket securely in position.

- Always ensure that all 4 bolts engage well into the VESA threaded apertures on the back of your TV; to at least a depth of 70% of the total depth of the aperture to ensure your TV is attached securely to the TV mount.
- For larger/heavier TVs we recommend that you ask someone to assist you with lifting and positioning your TV.
- This product is suitable for indoor use only.
- Improper installation or use of this product can result in product failure, damage or personal injury.
- This product contains small items that could cause choking if swallowed, so keep these items away from children and pets.
- Appropriate safety equipment and proper tools must be used for installation. Always check manufacturer's operating and safety instructions before using tools and other equipment.

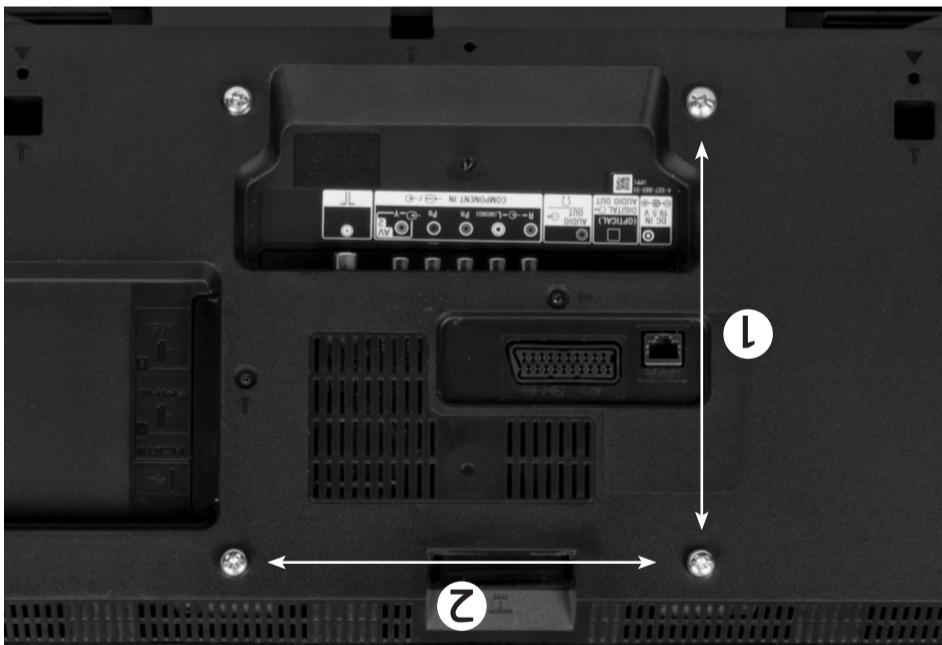
UK Distributor: Philex Electronic Ltd., London Road, Bedford, MK42 0NX, U.K.

EU Distributor: Philex Electronic Ireland Ltd., Robwyn House, Corrintra, Castleblayney, Co. Monaghan, A75 YX76, Ireland.

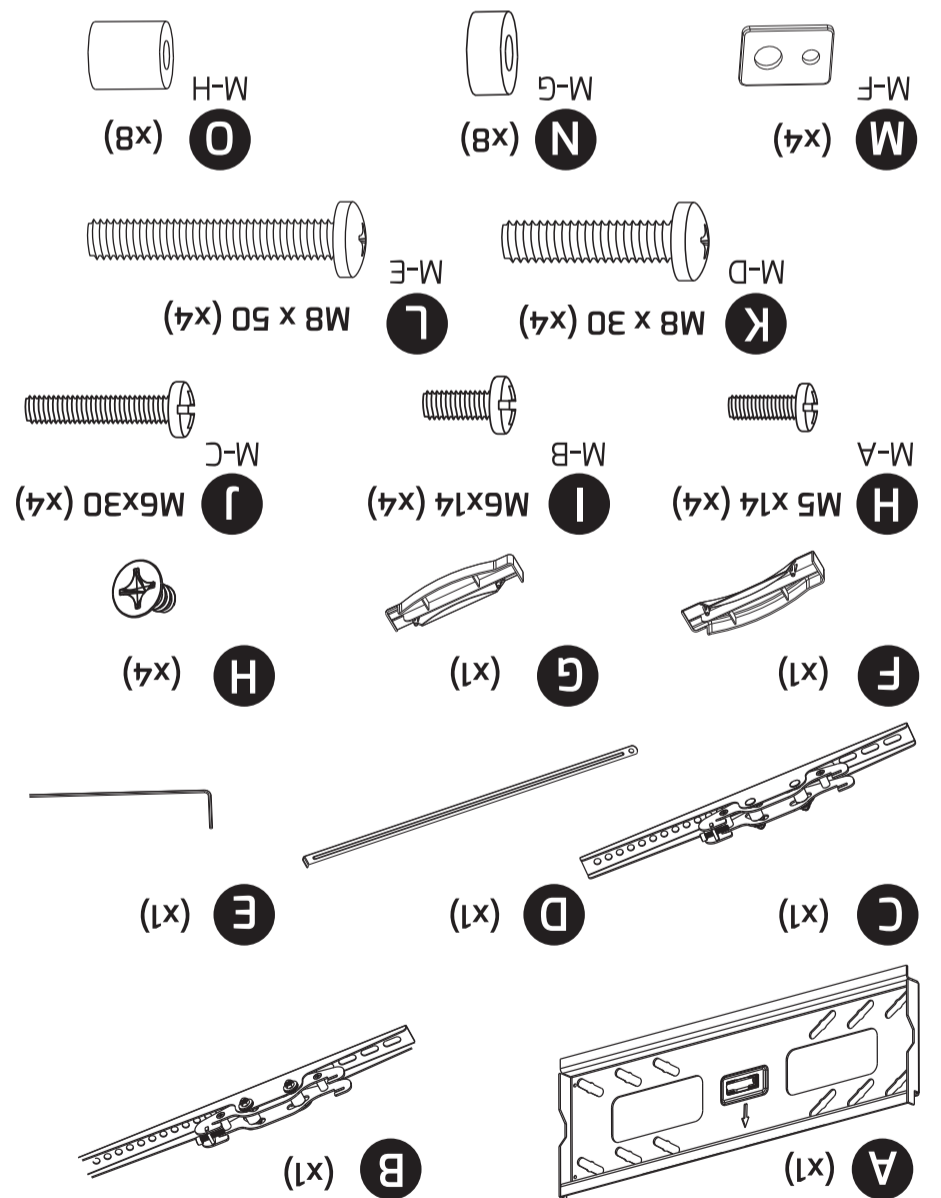
© Philex Electronic Ltd. 2021. Vb1.2



- TV Size range: **32-70"**
- Maximum weight capacity: **45kg**
- Mount function: **Tilt +10/-15**
- Wall to TV distance: **59mm**
- Compatible with VESA sizes: **200 x 200, 300 x 300, 400 x 200, 400 x 400**



- VESA is the standard adopted by most TV manufacturers for wall bracket mounting.
- There are 4 holes on the back of every flat screen TV and the space between the holes is governed by the VESA standard.
- VESA comes in a range of sizes depending on the weight and size of the flat screen TV; sizes 50 x 50mm, 75 x 75mm, 100 x 100mm, 200 x 100mm and 50 on... are standard. Not all flat screen TVs are compliant, contact the TV manufacturer for assistance if your TV does not appear to comply with VESA.
- To check if your TV or monitor is compliant, look at the rear of the display there should be 4 screw/bolt holes in a square pattern or in larger displays a rectangular shape.
- Measure the distances marked (2) (horizontal) x (1) (vertical) below in mm to find your VESA format.

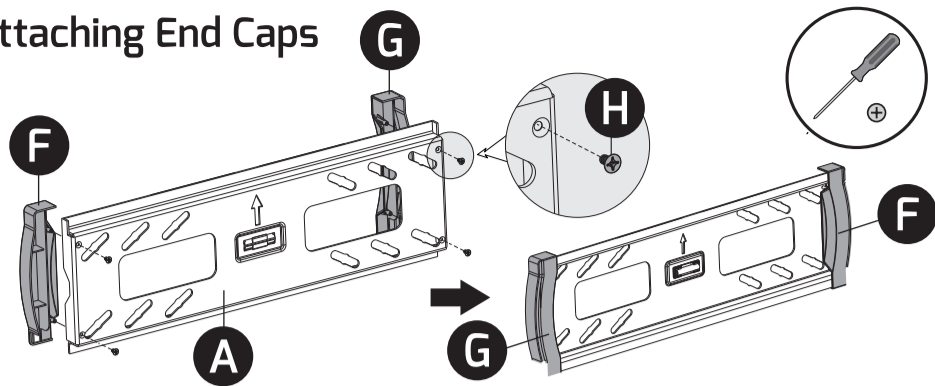


Before installation check that you have all the components shown here and that none of them are damaged.

Wall Mount & VESA Compatibility

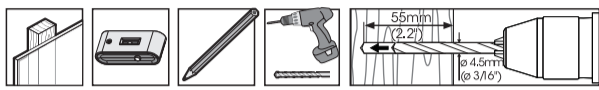
Components

1. Attaching End Caps



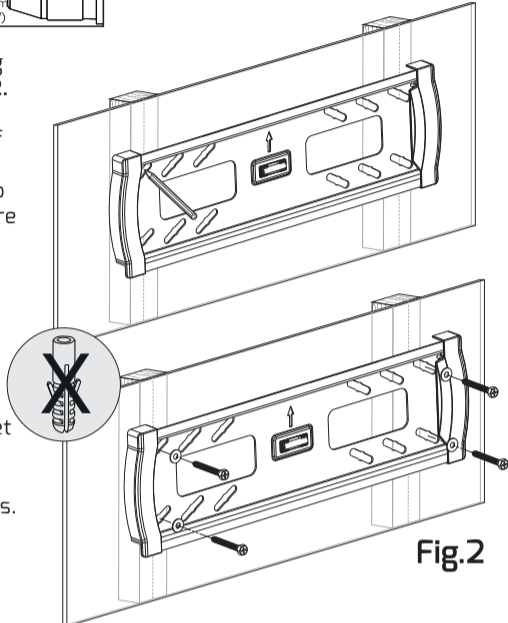
2a. Preparing Wall Fixings - Stud Walls

Tools required

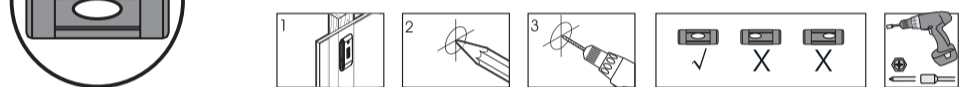


The wall bracket **A** is attached to the wall using four appropriate screws/bolts as shown in Fig.2. Make sure the screws/bolts are suitable for wood and large enough to support the weight of the TV and bracket (if in doubt ask for advice at your local DIY/hardware store and remember to make sure that the heads of the screws/bolts are the correct size to hold the bracket securely in position).

Mark and drill four holes into the wood as close as possible to the centre of the upright (you can use a stud detector to find stud positions). To mark the holes, hold the bracket **A** to the wall, using a spirit level to make sure the bracket is level, and mark the centre of each hole, see Fig.1. Drill the four holes and attach the bracket **A** to the wall using the appropriate screws/bolts.

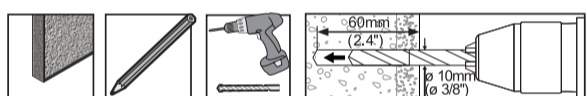


Use the spirit level to ensure bracket is level



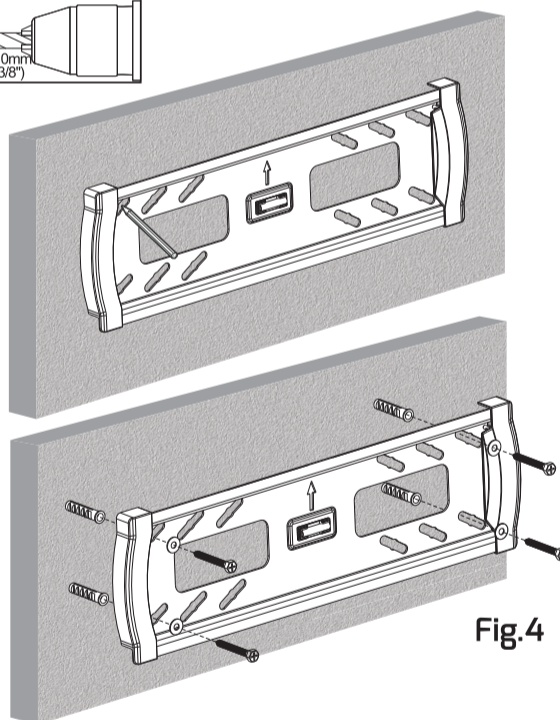
2b. Preparing Wall Fixings - Concrete/Brick Walls

Tools required

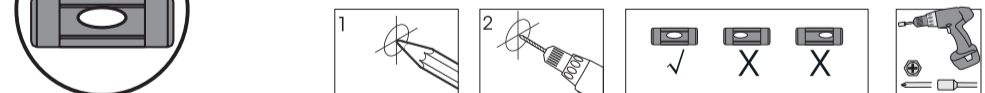


The process is the same as for attaching to wood see Fig.4. You will however need to use suitable screws/bolts/wall plugs for the type of wall you are mounting onto and large enough to support the weight of the TV and bracket (if in doubt ask for advice at your local DIY/hardware store and remember to make sure that the heads of the screws/bolts are the correct size to hold the bracket securely in position).

When fixing to walls screws/bolts should be fixed into bricks/stone not into mortar courses.



Use the spirit level to ensure bracket is level



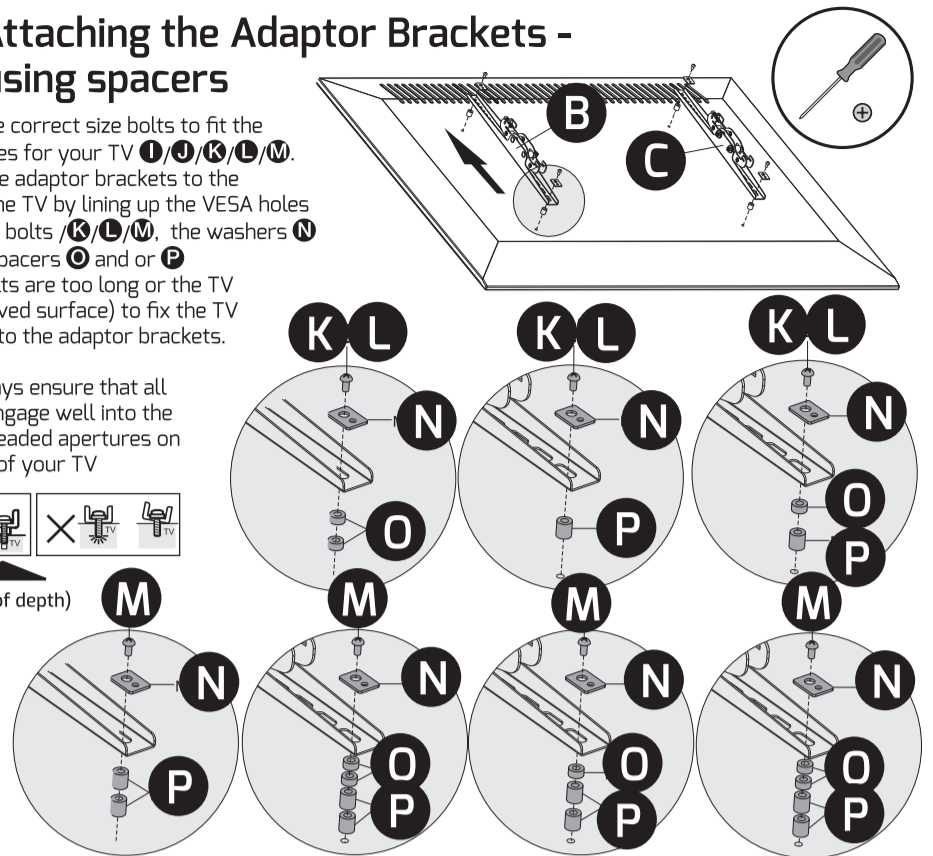
3b. Attaching the Adaptor Brackets - using spacers

Select the correct size bolts to fit the VESA holes for your TV **I/J/K/L/M**. Attach the adaptor brackets to the back of the TV by lining up the VESA holes and using bolts **K/L/M**, the washers **N** and the spacers **O** and or **P** (if the bolts are too long or the TV has a curved surface) to fix the TV securely to the adaptor brackets.

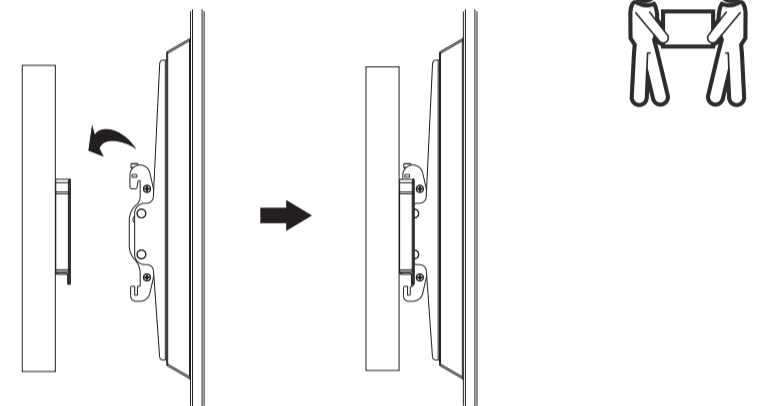
N.B. Always ensure that all 4 bolts engage well into the VESA threaded apertures on the back of your TV



(≥70% of depth)

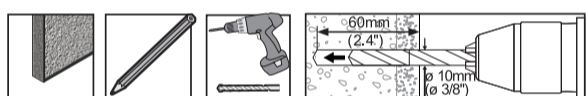


4. Mounting the TV to the Wall Plate



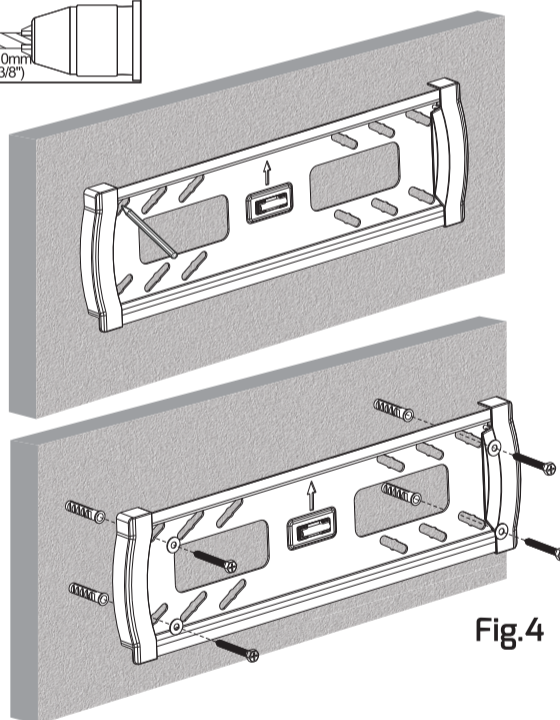
3a. Attaching the Adaptor Brackets

Tools required

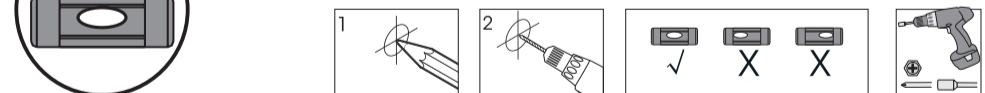


The process is the same as for attaching to wood see Fig.4. You will however need to use suitable screws/bolts/wall plugs for the type of wall you are mounting onto and large enough to support the weight of the TV and bracket (if in doubt ask for advice at your local DIY/hardware store and remember to make sure that the heads of the screws/bolts are the correct size to hold the bracket securely in position).

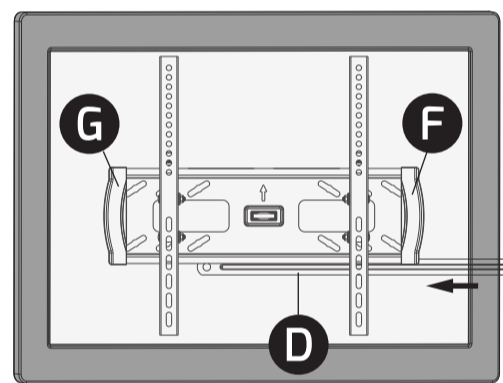
When fixing to walls screws/bolts should be fixed into bricks/stone not into mortar courses.



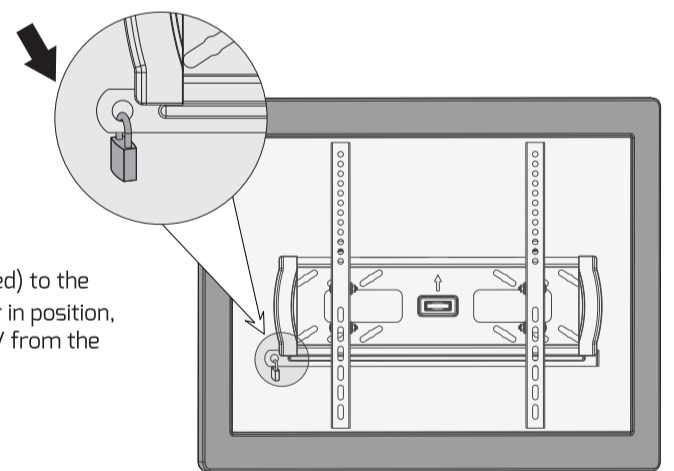
Use the spirit level to ensure bracket is level



5. Fitting the Locking Bar and Padlock



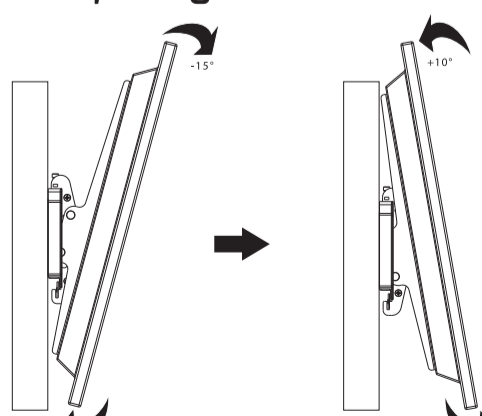
Slide the locking bar **D** through the guide in the base of the righthand End Cap **F** then through the guide in the two adaptor brackets and finally through the guide in the left-hand End Cap **G**.



Attach a padlock (not supplied) to the locking bar **D** to lock the bar in position, to prevent removal of the TV from the bracket.

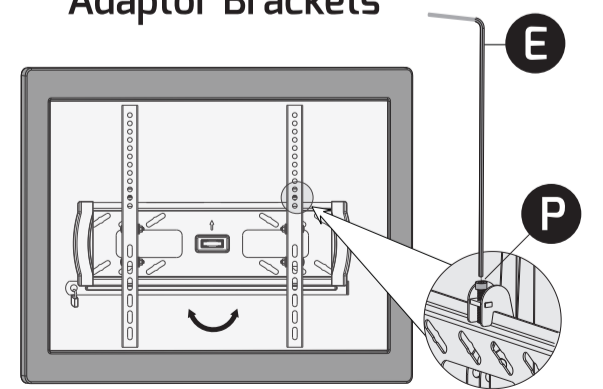
6. Adjusting tilt

6. Adjusting tilt



PHILEX
Technical Support:
www.philex.com/support

7. Securing the Adaptor Brackets



Tighten the top locking bolts **P** in the adaptor brackets, with the Allen key supplied, to secure the adaptor brackets to the wall plate.