



# WARNING

# THOR

by Labgear

## USER GUIDE - 28021T

# 55" Max

## Full Motion Heavy Duty Wall Mount

### Warnings and Advice

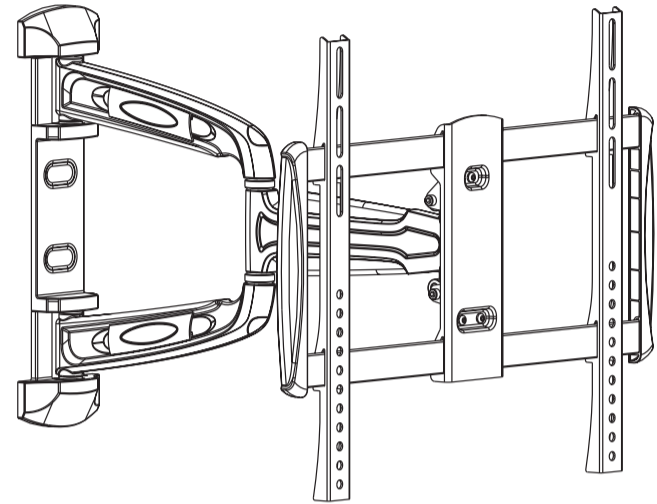
- We have not supplied wall fixings with this product. All walls differ in strength and thickness. Consult a qualified installer or seek advice from your local DIY/hardware store on purchasing suitable wall fixings to safely mount the bracket on the type of wall being used.
- Check the components list and images to check there are no missing or defective parts.
- Never exceed the Maximum Weight Capacity.
- Read these instructions carefully before installation. If in any doubt about safely installing this product, contact a professional installer for assistance.
- This product was designed to be installed on wood stud walls and solid concrete/brick walls. When fixing to walls screws/bolts should be fixed into bricks/stone not into mortar courses.
- Make sure the wall will support the combined load of the equipment and hardware. Also check for hidden wiring or plumbing.
- Make sure that the heads of the screws/bolts you buy as wall fastenings are the correct size to hold the bracket securely in position.

- Always ensure that all 4 bolts engage well into the VESA threaded apertures on the back of your TV; to at least a depth of 70% of the total depth of the aperture to ensure your TV is attached securely to the TV mount.
- For larger/heavier TVs we recommend that you ask someone to assist you with lifting and positioning your TV.
- This product is suitable for indoor use only.
- Improper installation or use of this product can result in product failure, damage or personal injury.
- This product contains small items that could cause choking if swallowed, so keep these items away from children and pets.
- Appropriate safety equipment and proper tools must be used for installation. Always check manufacturer's operating and safety instructions before using tools and other equipment.

UK Distributor: Philex Electronic Ltd., London Road, Bedford, MK42 0NX, U.K.

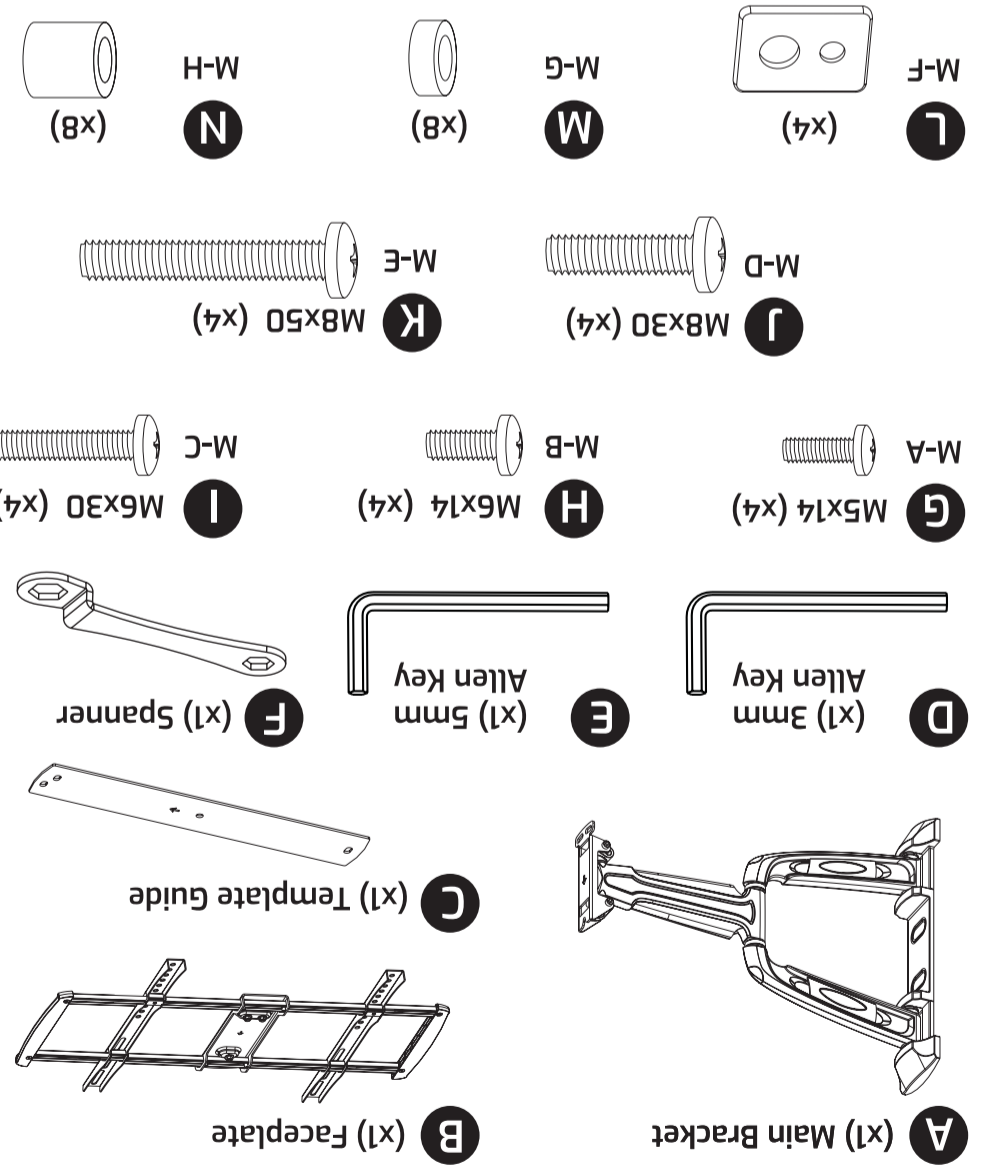
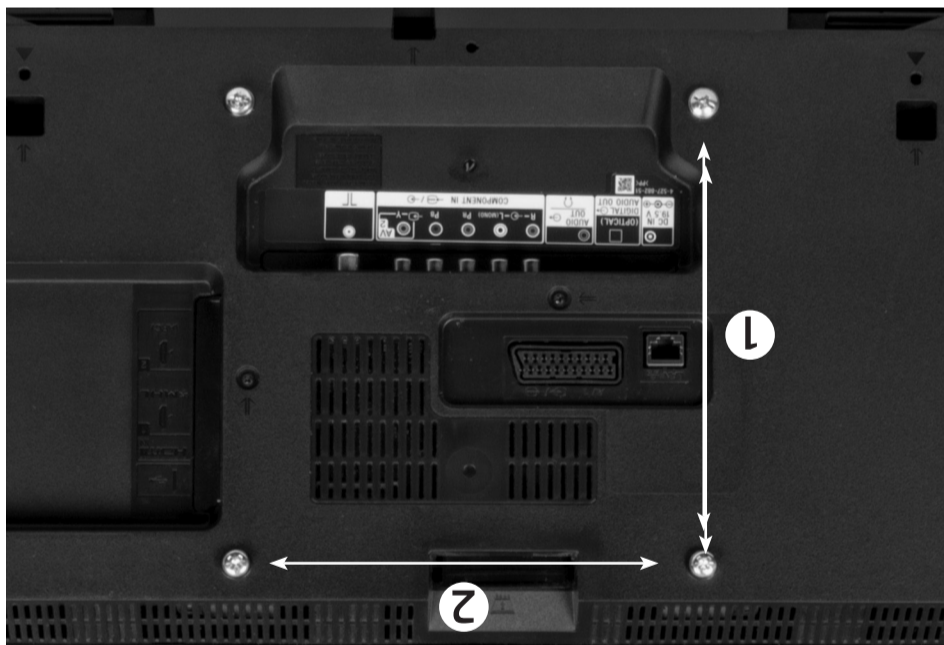
EU Distributor: Philex Electronic Ireland Ltd., Robwyn House, Corrintra, Castleblayney, Co. Monaghan, A75 YX76, Ireland.

© Philex Electronic Ltd. 2021. Vb1.2



- TV Size range: **55" Max**
- Maximum weight capacity: **35kg**
- Mount function: **Tilts +5/-12 Swivels +90/-90**
- Compatible with VESA sizes: **200x200, 300x300, 400x200, 400x400**

Stylish low profile design constructed from solid steel and aluminium for maximum strength and support. With a smooth extension, tilt and swivel action and a stay put function when the position is set.



Before installation check that you have all the components shown here and that none of them are damaged.

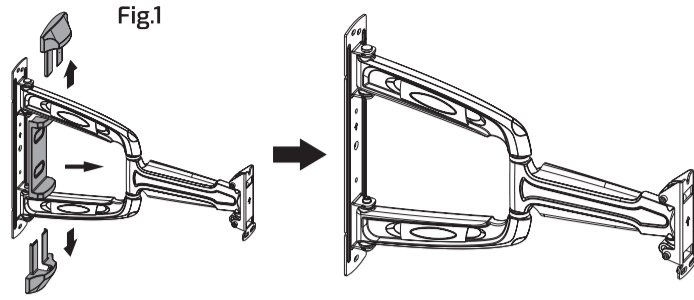
- VESA is the standard adopted by most TV manufacturers for wall bracket mounting.
- There are 4 holes on the back of every flat screen TV and the space between the holes is governed by the VESA standard.
- VESA comes in a range of sizes depending on the weight and size of the flat screen TV; sizes 50 x 50mm, 75 x 75mm, 100 x 100mm, 200 x 100mm and 500 x 500mm are standard. Not all flat screen TVs are compliant, contact the TV manufacturer for assistance if your TV does not appear to comply with VESA.
- To check if your TV or monitor is compliant, look at the rear of the display there should be 4 screw/bolt holes in a square pattern or in larger displays a rectangular shape.
- Measure the distances marked (2) (horizontal) x (1) (vertical) below in mm to find your VESA format.

## Wall Mount & VESA Compatibility

## Components

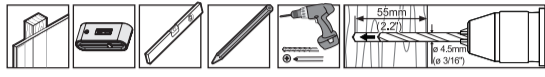
## 1. Removing the Mounting Plate & Plastic Covers

Before attaching the bracket arm to the wall, remove the plastic covers at the back of the bracket. Using the spanner supplied, loosen the bolts to remove the mounting plate on the front see Fig.1.



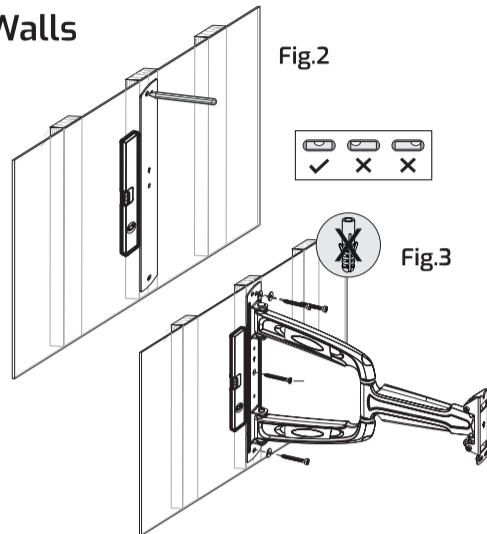
## 2a. Preparing Wall Fixings - Stud Walls

Tools required

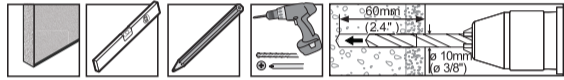


The wall main bracket **A** is attached to the wall using four appropriate screws/bolts as shown in Fig.3. Make sure the screws/bolts are suitable for wood and large enough to support the weight of the TV and bracket (if in doubt ask for advice at your local DIY/hardware store and remember to make sure that the heads of the screws/bolts are the correct size to hold the bracket securely in position).

Mark and drill four holes into the wood as close as possible to the centre of the upright (you can use a stud detector to find stud positions). To mark the holes, hold the template guide **C** to the wall, using a spirit level to make sure the bracket is level, and mark the centre of each hole, see Fig.2. Drill the four holes and attach the bracket **C** to the wall using the appropriate screws/bolts.

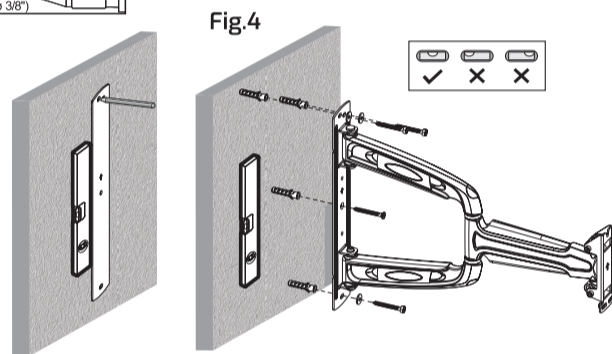


## 2b. Preparing Wall Fixings - Concrete/Brick Walls



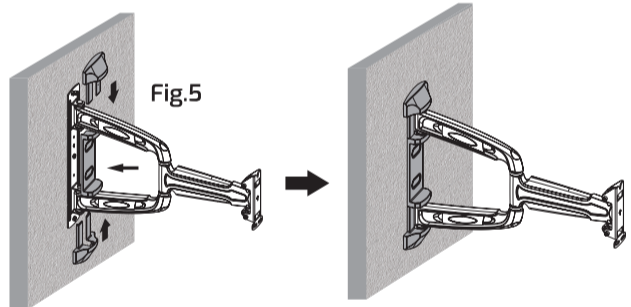
The wall main bracket **A** is attached to the wall using four appropriate screws/bolts as shown in Fig.4. Use Rawl plugs or expanding bolts suitable for brick/block/concrete walls and strong enough to support the weight of the TV including its leverage with the bracket. Use the bracket to choose the correct shank diameter and head size. If in doubt, ask for advice at your local DIY/hardware store or use online videos.

When fixing to block/brick walls, fixings holes should be drilled into bricks/stone/blocks not into mortar courses.



## 3. Attaching the Plastic Covers

Once the bracket arm has been securely attached to the wall, place the plastic covers over the back of the bracket see Fig.5

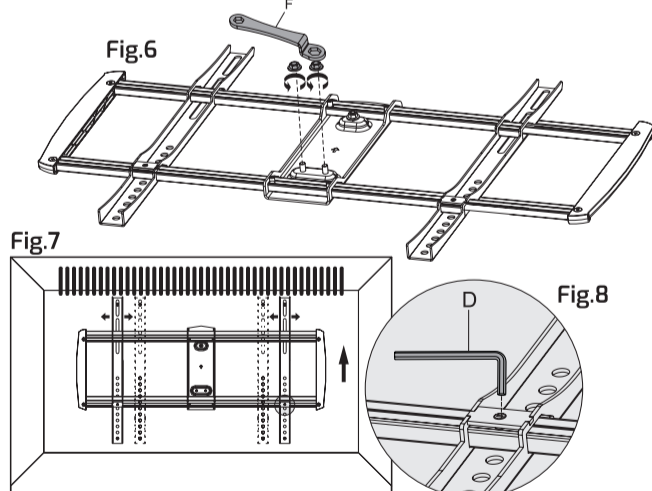


## 4. Preparing the Faceplate for Mounting

Remove the retaining nuts as seen in Fig.6 using the provided spanner **F**.

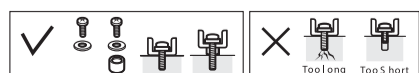
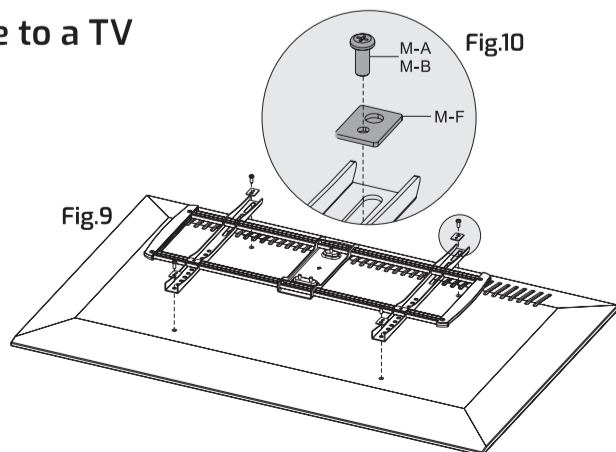
Ensure the faceplate is the correct way up, see Fig.7 for reference.

Adjust the width of the faceplate by using the 3mm Allen key **D** to loosen the bolt, slide the rail into the desired position. Secure again by tightening the bolt using the 3mm Allen key **D**. See Fig.8 for reference.



## 5a. Mounting the Faceplate to a TV

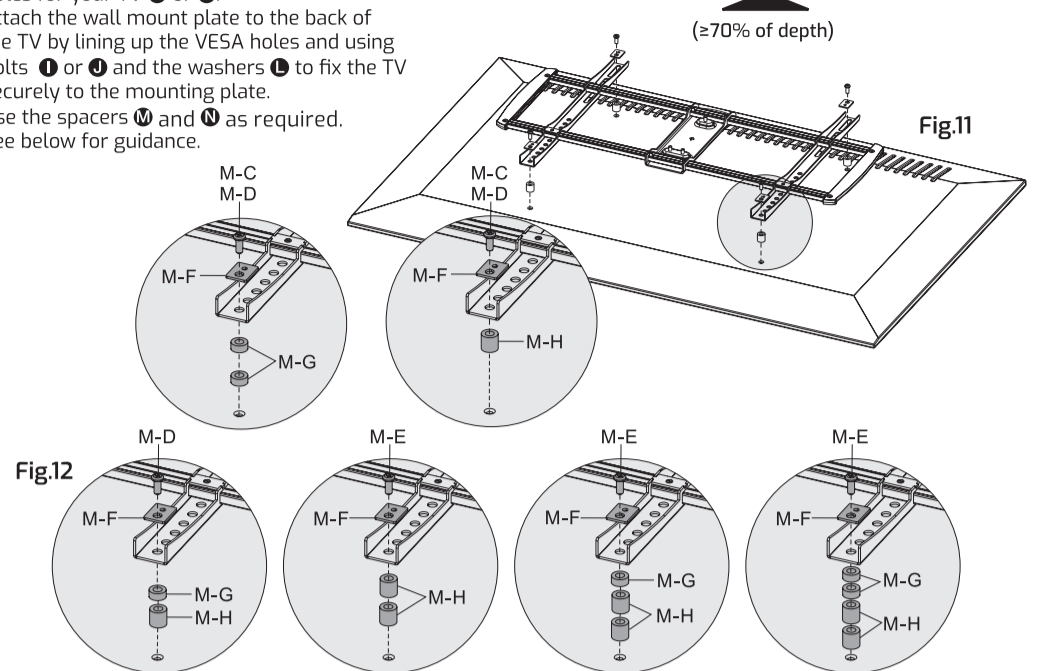
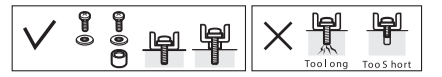
Select the correct size bolts to fit the VESA holes for your TV **C** or **D**. Attach the wall mount plate to the back of the TV by lining up the VESA holes and using bolts **C** or **D** and the washers **L** to fix the TV securely to the mounting plate. See Fig.9 and Fig.10.



(≥70% of depth)

## 5b. Mounting the Faceplate to a TV

Select the correct size bolts to fit the VESA holes for your TV **C** or **D**. Attach the wall mount plate to the back of the TV by lining up the VESA holes and using bolts **C** or **D** and the washers **L** to fix the TV securely to the mounting plate. Use the spacers **M** and **N** as required. See below for guidance.



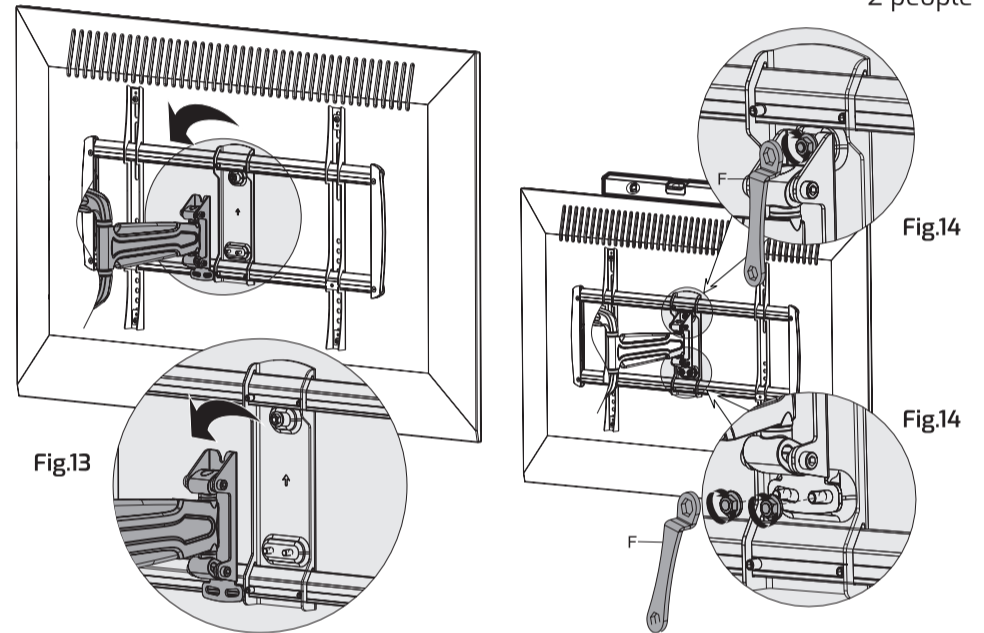
## 6. Attaching the Faceplate to the Wall Mount Arm

To attach the faceplate to the wall mount arm, align the bolts to the holes in the wall mount arm. See Fig.13 for guidance on aligning the bolts and the holes.

Refit the retaining nuts using the spanner **F** to secure the faceplate to the wall mount arm. See Fig.14 for reference.

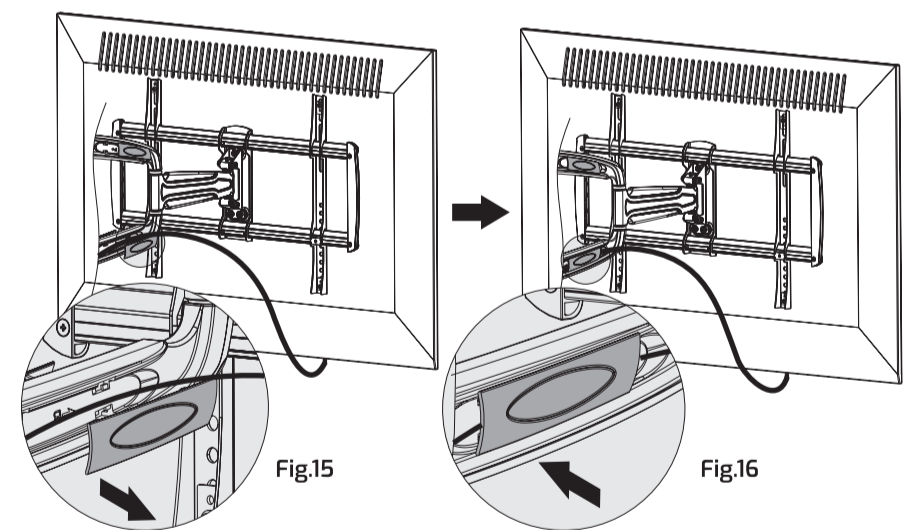


Lift with 2 people



## 7. Cable Management and Routing

The wall mount has integrated cable routing channels to help keep your cable uniform and tidy, see Fig.15 and Fig.16 to access the channel and to refit the cover caps.



## 8. Adjusting Tilt, Swivel and Rotate

Adjust the tilt, swivel and rotate of the wall mount using the 5mm Allen key tool **E** to tighten or loosen the bolt as shown in Fig.17. Use the 5mm Allen key **E** to securely fix the TV at the desired viewing angle.

