

WARNING

THOR

USER GUIDE - 28097T

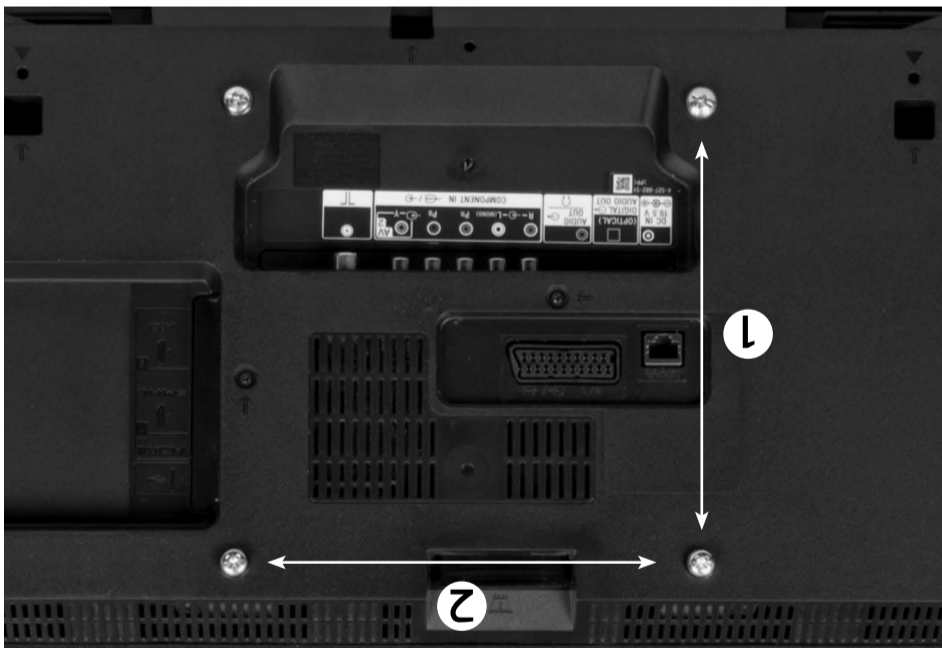
42-80"

Full Motion Flat TV Wall Mount

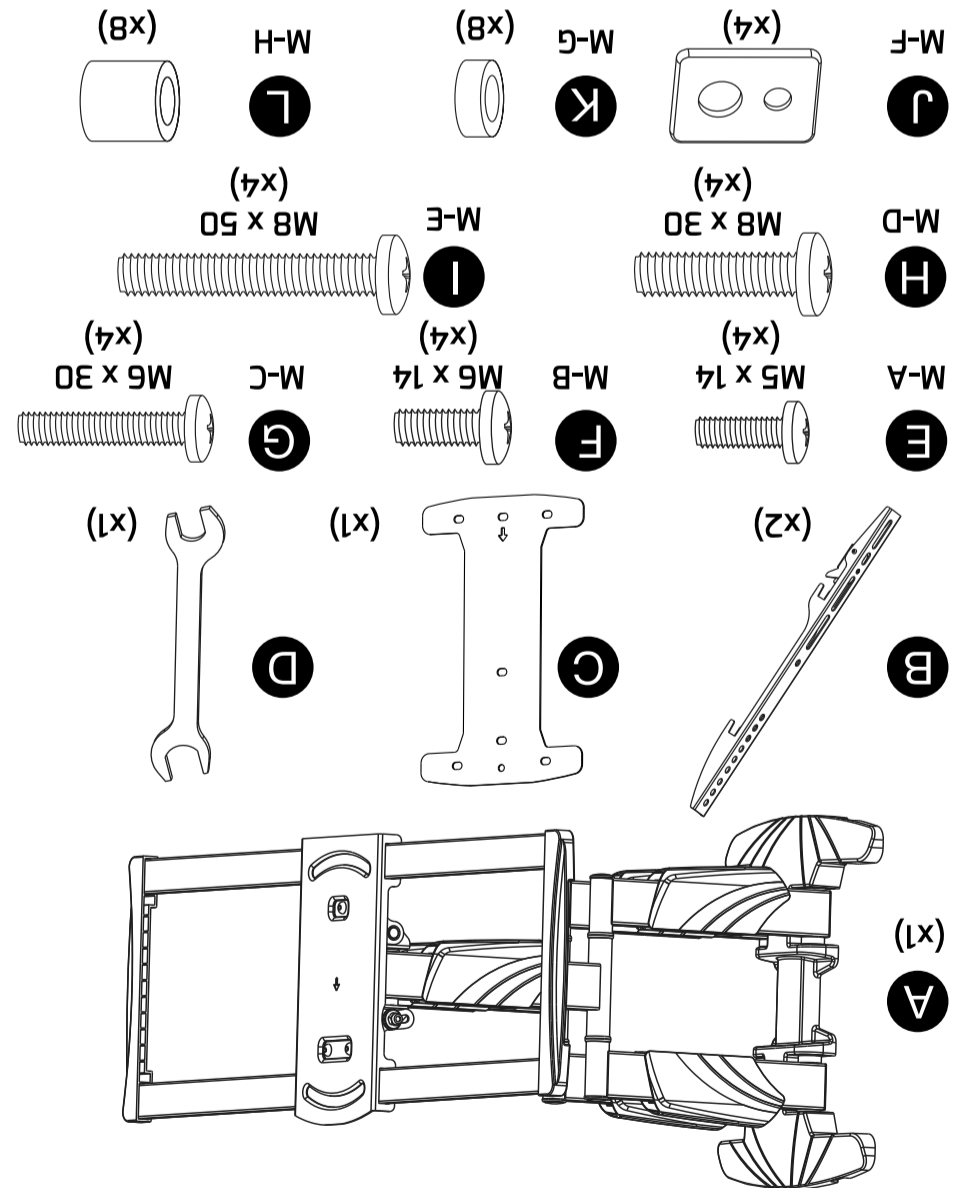
- We have not supplied wall fixings with this product. All walls differ in strength and thickness. Consult a qualified installer or seek advice from your local DIY/hardware store on purchasing suitable wall fixings to safely mount the bracket on the type of wall being used.
- Check the components list and images to check there are no missing or defective parts.
- Never exceed the Maximum Weight Capacity.
- Read these instructions carefully before installation. If in any doubt about safely installing this product, contact a professional installer for assistance.
- This product was designed to be installed on wood stud walls and solid concrete/brick walls. When fixing to walls screws/bolts should be fixed into bricks/stone not into mortar courses.
- Make sure the wall will support the combined load of the equipment and hardware. Also check for hidden wiring or plumbing.
- Make sure that the heads of the screws/bolts you buy as wall fastenings are the correct size to hold the bracket securely in position.
- For larger/heavier TVs we recommend that you ask someone to assist you with lifting and positioning your TV.
- This product is suitable for indoor use only.
- Improper installation or use of this product can result in product failure, damage or personal injury.
- This product contains small items that could cause choking if swallowed, so keep these items away from children and pets.
- Appropriate safety equipment and proper tools must be used for installation. Always check manufacturer's operating and safety instructions before using tools and other equipment.



- TV Size range: 42-80"
- Maximum weight capacity: 45kg
- Mount function: Full Motion tilt and swivel
- Wall to TV distance: 49-482mm
- Compatible with VESA sizes: 200 x 200, 400 x 200, 300 x 300, 400 x 400, 600 x 400



- VESA is the standard adopted by most TV manufacturers for wall bracket mounting.
- There are 4 holes on the back of every flat screen TV and the space between the holes is governed by the VESA standard.
- VESA comes in a range of sizes depending on the weight and size of the flat screen TV; sizes 50 x 50mm, 75 x 75mm, 100 x 100mm, 200 x 100mm and 500 x 500mm are standard. Not all flat screen TVs are compliant, contact the TV manufacturer for assistance if your TV does not appear to comply with VESA.
- To check if your TV or monitor is compliant, look at the rear of the display there should be 4 screw-holes in a square pattern or in larger displays a rectangular shape.
- Measure the distances marked (Z) (horizontal) x (1) (vertical) below in mm to find your VESA format.



Before installation check that you have all the components shown here and that none of them are damaged.

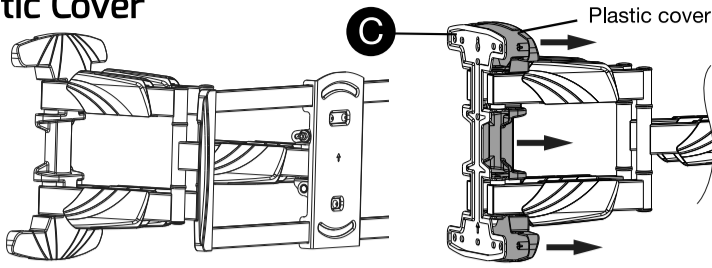
Wall Mount & VESA Compatibility

Components

1. Removing Plastic Cover

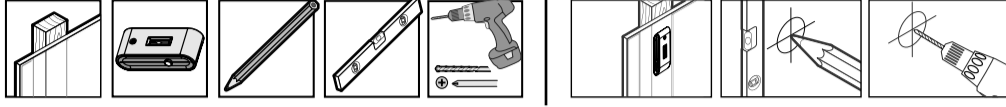
Remove the plastic cover from the wall mount plate **C** to expose the fixing holes see Fig.1.

Fig.1

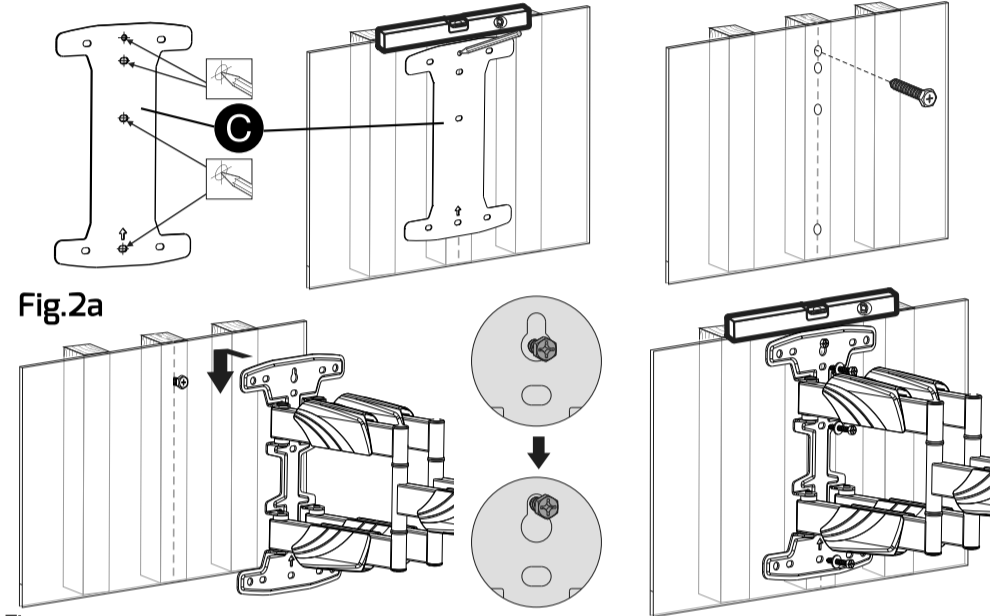


2a. Preparing Wall Fixings - Stud Walls

Tools required



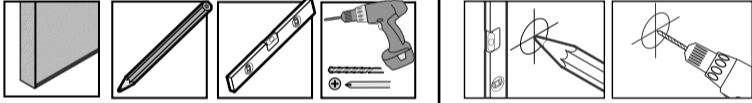
The wall mount plate **C** part of wall bracket **C** is attached to the wall using four screws as shown in Fig.2. Make sure the screws/bolts are suitable for wood and large enough to support the weight of the TV and bracket (if in doubt ask for advice at your local DIY/hardware store and remember to make sure that the heads of the screws are the correct size to hold the bracket securely in position). Mark and drill four holes into the wall and wood as close as possible to the centre of the upright stud. To mark the holes, hold the bracket **C** to the wall, using a spirit level to make sure the bracket is level, and mark the centre of each hole, see Fig.2. Drill the four holes and screw in the top screw most of the way leaving enough sticking out to hook the wall mount plate **C** onto as shown below. Then screw in the remaining three screws and tighten all four screws while using a spirit level to make sure the TV mount is level.



Tip: Make sure the holes you mark are in the centre of the stud. To locate the Stud use a Stud Sensor

2b. Preparing Wall Fixings - Concrete/Brick Walls

Tools required



The process is similar to attaching to wood. You will however need to use six screws/bolts/wall plugs suitable for the type of wall you are mounting onto (if in doubt ask for advice at your local DIY/hardware store and remember to make sure that the heads of the screws/bolts are the correct size to hold the bracket securely in position). When fixing to walls screws/bolts should be fixed into bricks/stone not into mortar courses. To mark the holes, hold the bracket **C** to the wall, using a spirit level to make sure the bracket is level, and mark the centre of each hole, see Fig.2b. Drill the six holes, insert the six wall plugs and screw in the top screw/bolt most of the way leaving enough sticking out to hook the wall mount plate **C** onto as shown below. Then screw in the remaining five screws and tighten all six screws while using a spirit level to make sure the TV mount is level.

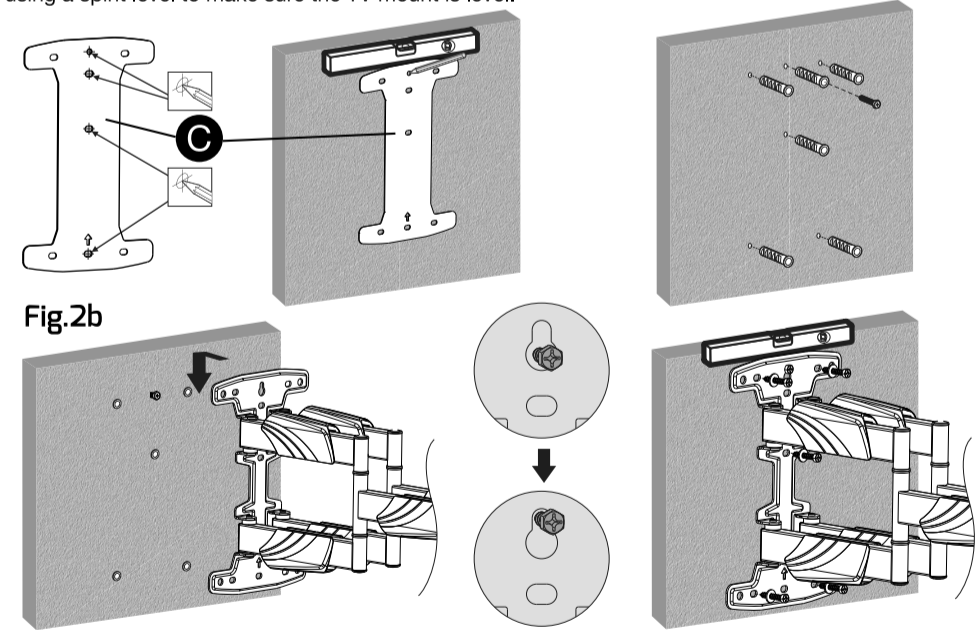
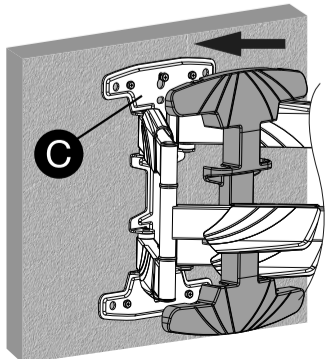


Fig.2b

3. Replacing Plastic Cover

Clip the plastic cover removed in Step 1. back onto the wall mount plate **C**.

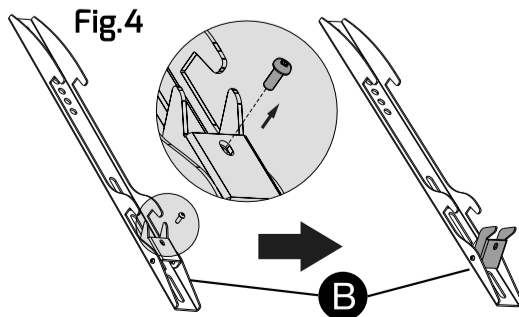
Fig.3



4. Releasing TV Arm Lock

Unscrew the locks on both TV arms **B** and lift the locks into the upright position. Keep the screws in a safe place.

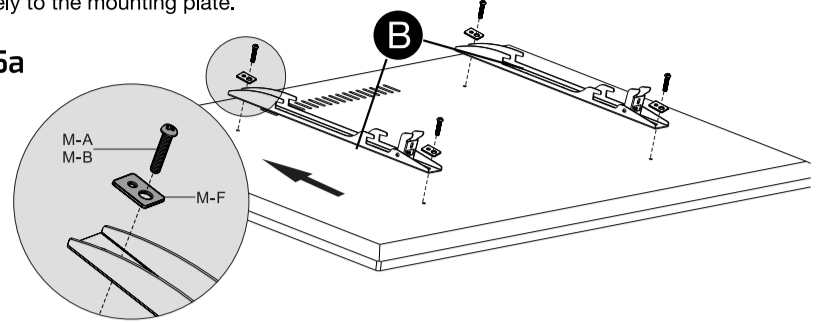
Fig.4



5a. Mounting TV Arms

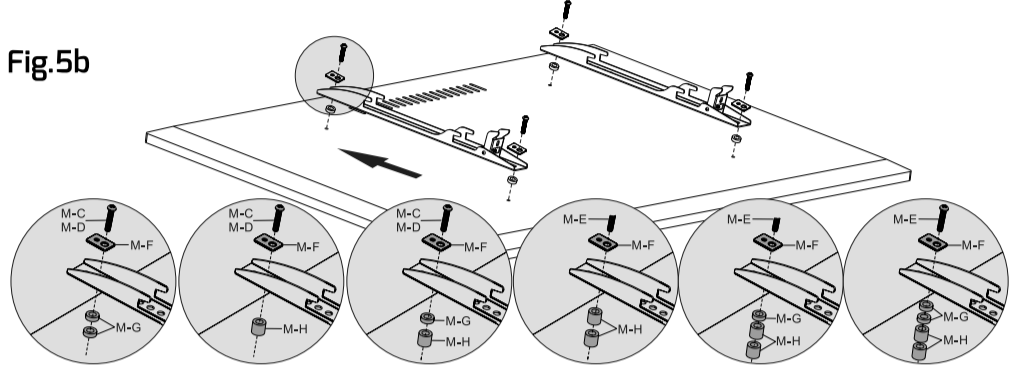
Select the correct size bolts to fit the VESA holes for your TV **E/F/G/H/I**. Attach the TV arms **B** to the back of the TV by lining up the VESA holes and using bolts **E/F/G/H/I** and the washer **J** to fix the TV securely to the mounting plate.

Fig.5a



If the back of the TV is curved recessed or the VESA bolts are too long you can increase the spacing between the TV Arms **B** and the back of the TV by using a combination of the spacers **K/L** see Fig.6.

Fig.5b



6. Attaching TV Arms to the TV Mount

With two people hook the TV Arms and TV over the cross bars on the front of the TV Mount see Fig.6a. Bend the TV arm locks up over the bottom crossbar and use the screws removed in Step 4. to secure the locks in position on the crossbar see Fig. 6b.

Lift with 2 people

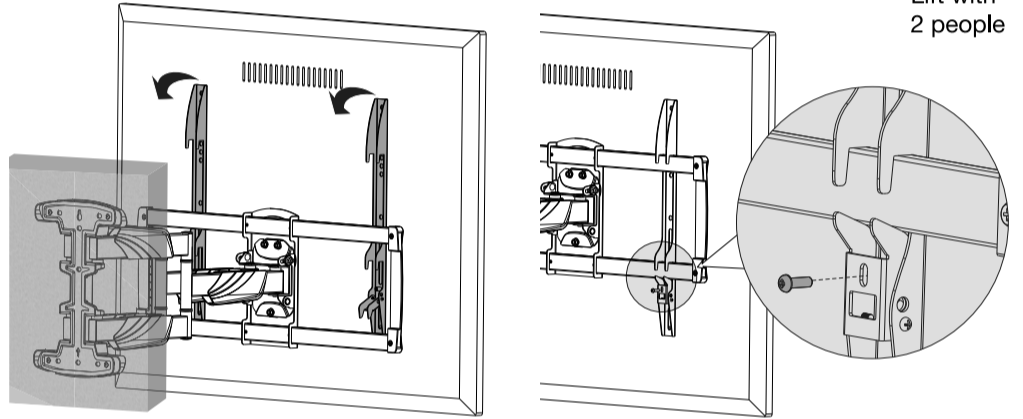


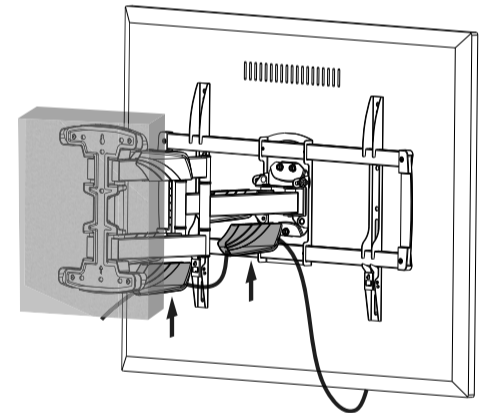
Fig.6a

Fig.6b

7. Cable Management

Unclip the plastic cable management covers shown below in Fig. 7 run all the connecting cables to the TV and clip the covers back to hold the cables neatly in position

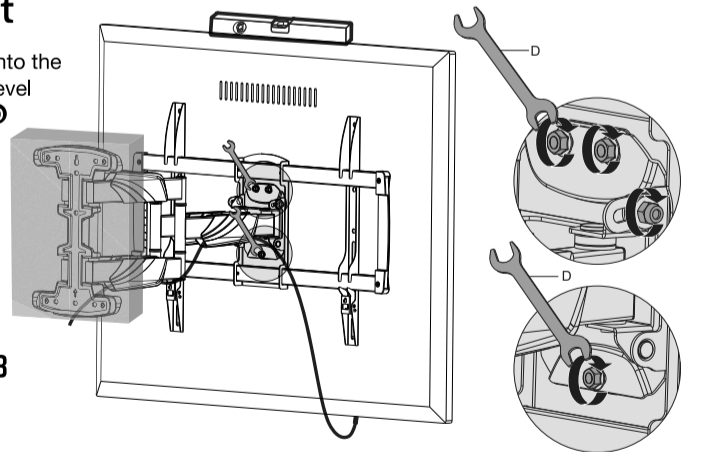
Fig.7



8. Level Adjustment

Once the TV is firmly mounted onto the TV Mount you can make a final level adjustment. Using the spanner **D** loosen the three bolts on the front plate of the TV mount so that you can rotate the TV to get it absolutely level with the help of a spirit level placed on the top of the TV. Tighten the three bolts as shown in Fig. 8 when the TV is level.

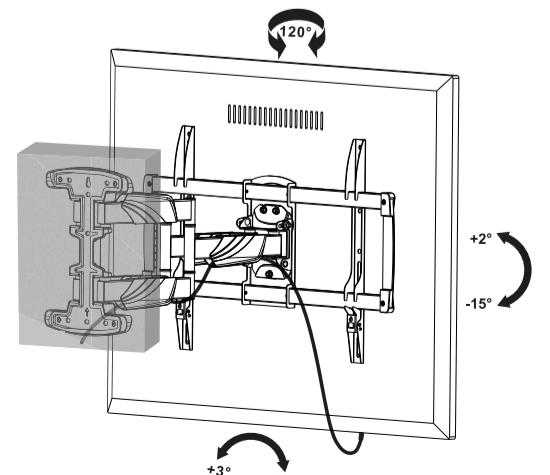
Fig.8



9. Adjusting Tilt and Swivel

Your TV is now fully mounted and you can adjust the the tilt andswivel as shown in Fig. 9

Fig.9



For further information please contact our Technical Support: www.philex.com/support