



WARNING

THOR

USER GUIDE - 28086T

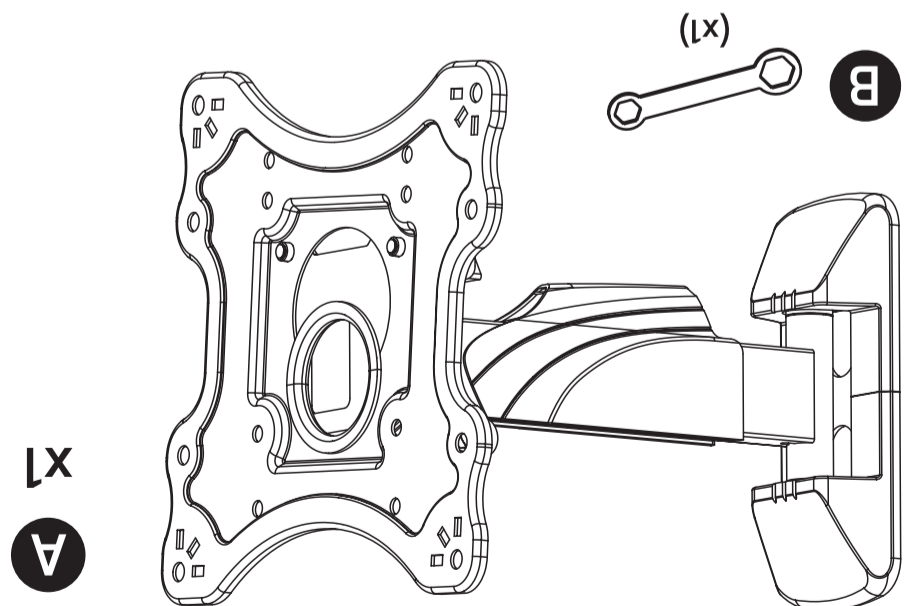
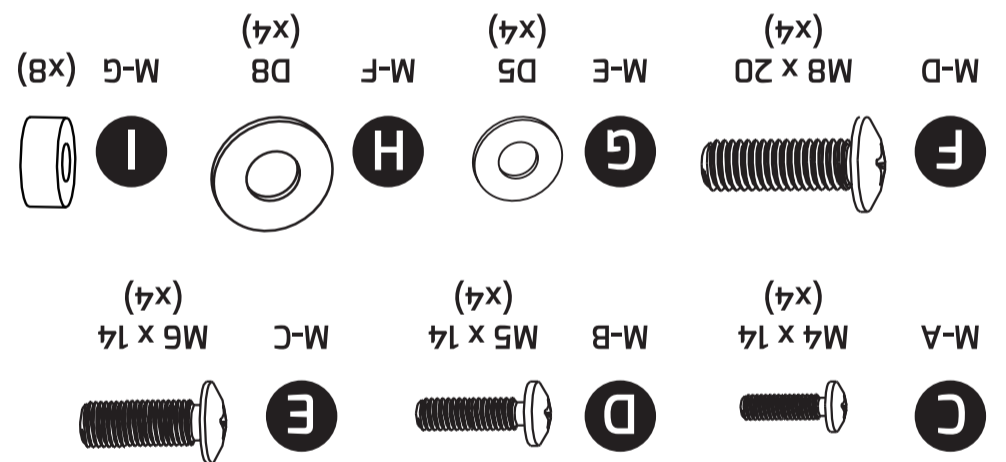
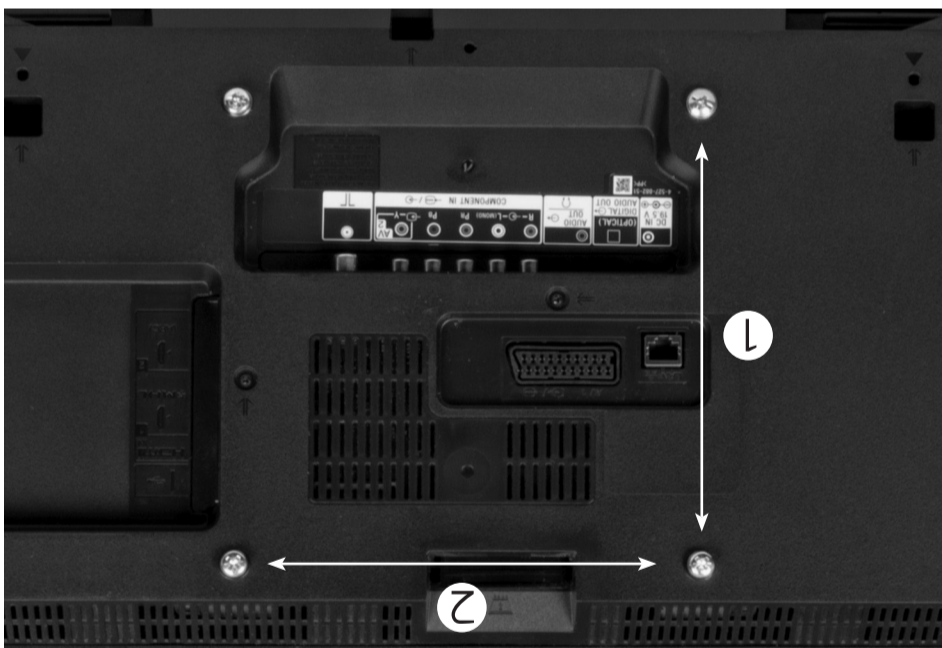
24-43"

Full Motion TV Wall Mount

- Recommendation: Installation and fitting of this product should be carried out by an experienced and competent installer.
- We have not supplied ceiling fixings with this product. All ceilings differ in strength and thickness. Consult a qualified installer.
- Check the components list and images to check there are no missing or defective parts.
- Never exceed the Maximum Weight Capacity.
- Read these instructions carefully before installation. If in any doubt about safely installing this product, contact a professional installer for assistance.
- This product was designed to be installed on wood ceilings and solid concrete/brick ceilings. When fixing to ceilings screws/bolts should be fixed into bricks/stone not into mortar courses.
- Make sure the ceiling will support the combined load of the equipment and hardware. Also check for hidden wiring or plumbing.
- Make sure that the heads of the screws/bolts you buy as wall fastenings are the correct size to hold the bracket securely in position.
- For larger/heavier TVs we recommend that you ask someone to assist you with lifting and positioning your TV.
- This product is suitable for indoor use only.
- Improper installation or use of this product can result in product failure, damage or personal injury.
- This product contains small items that could cause choking if swallowed, so keep these items away from children and pets.
- Appropriate safety equipment and proper tools must be used for installation. Always check manufacturer's operating and safety instructions before using tools and other equipment.
- Check that the bracket is secure and safe to use at regular intervals (at least every three months).



- TV Size range: **24-43"**
- Maximum weight capacity: **35kg**
- Mount function: **Full Motion tilt and swivel**
- Wall to TV distance: **52-276mm**
- Compatible with VESA sizes: **100 x 100, 100 x 150, 200 x 100, 200 x 200**



Before installation check that you have all the components shown here and that none of them are damaged.

- VESA is the standard adopted by most TV manufacturers for wall bracket mounting.
- There are 4 holes on the back of every flat screen TV and the space between the holes is governed by the VESA standard.
- VESA comes in a range of sizes depending on the weight and size of the flat screen TV: sizes 50 x 50mm, 75 x 75mm, 100 x 100mm, 200 x 100mm and 200 x 200mm are standard. Not all flat screen TVs are compliant, contact the TV manufacturer for assistance if your TV does not appear to comply with VESA.
- To check if your TV or monitor is compliant, look at the rear of the display there should be 4 screw-holes in a square pattern or in larger displays a rectangular shape.
- Measure the distances marked (2) (horizontal) x (1) (vertical) below in mm to find your VESA format.

Ceiling Mount & VESA Compatibility

Components

1. Removing the Mounting Plate & Plastic Covers

Before attaching the bracket arm to the wall, remove the plastic covers at the back of the bracket. Using the spanner supplied, loosen the bolts to remove the mounting plate on the front see Fig.1.

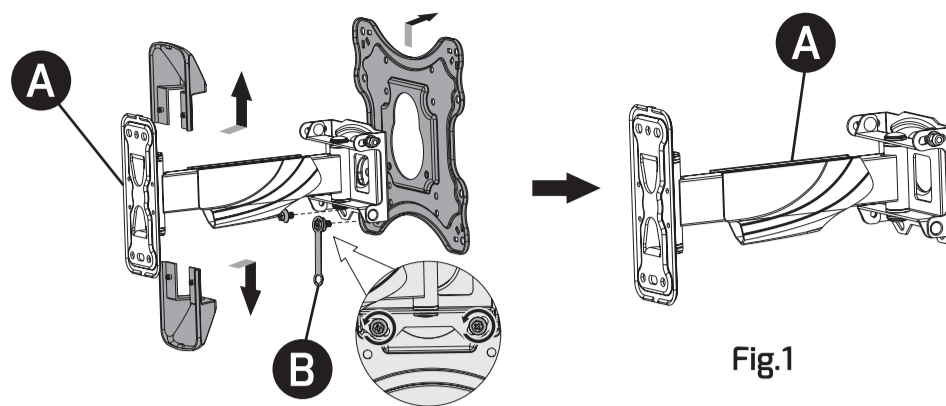
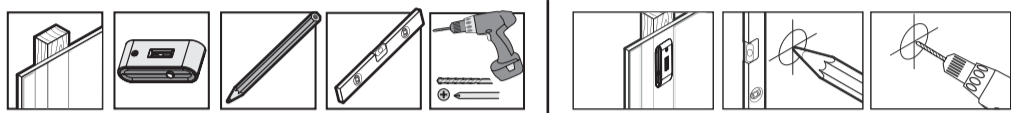


Fig.1

2a. Preparing Wall Fixings - Stud Walls

Tools required



The wall bracket A is attached to the wall using two appropriate screws/bolts as shown in Fig.3. Make sure the screws/bolts are suitable for wood and large enough to support the weight of the TV and bracket (if in doubt ask for advice at your local DIY/hardware store and remember to make sure that the heads of the screws/bolts are the correct size to hold the bracket securely in position).

Mark and drill two holes into the wood as close as possible to the centre of the upright (you can use a stud detector to find stud positions). To mark the holes, hold the bracket A to the wall, using a spirit level to make sure the bracket is level, and mark the centre of each hole, see Fig.2. Drill the two holes and attach the bracket A to the wall using the appropriate screws/bolts.

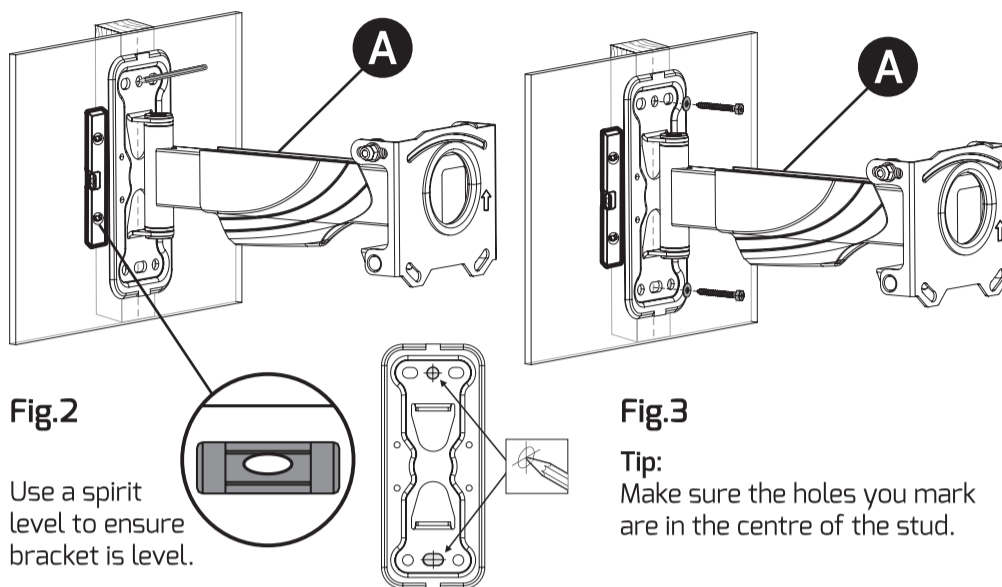


Fig.2

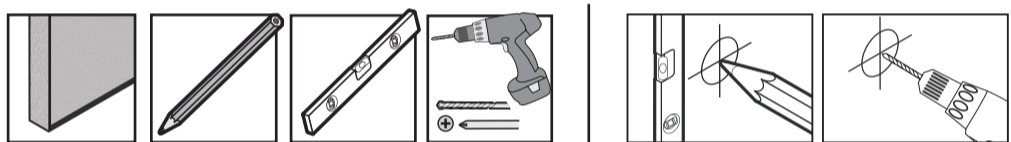
Fig.3

Use a spirit level to ensure bracket is level.

Tip: Make sure the holes you mark are in the centre of the stud.

2b. Preparing Wall Fixings - Concrete/Brick Walls

Tools required



The process is the same as for attaching to wood see Fig.3. You will however need to use four suitable screws/bolts/wall plugs for the type of wall you are mounting onto (if in doubt ask for advice at your local DIY/hardware store and remember to make sure that the heads of the screws/bolts are the correct size to hold the bracket securely in position). When fixing to walls screws/bolts should be fixed into bricks/stone not into mortar courses.

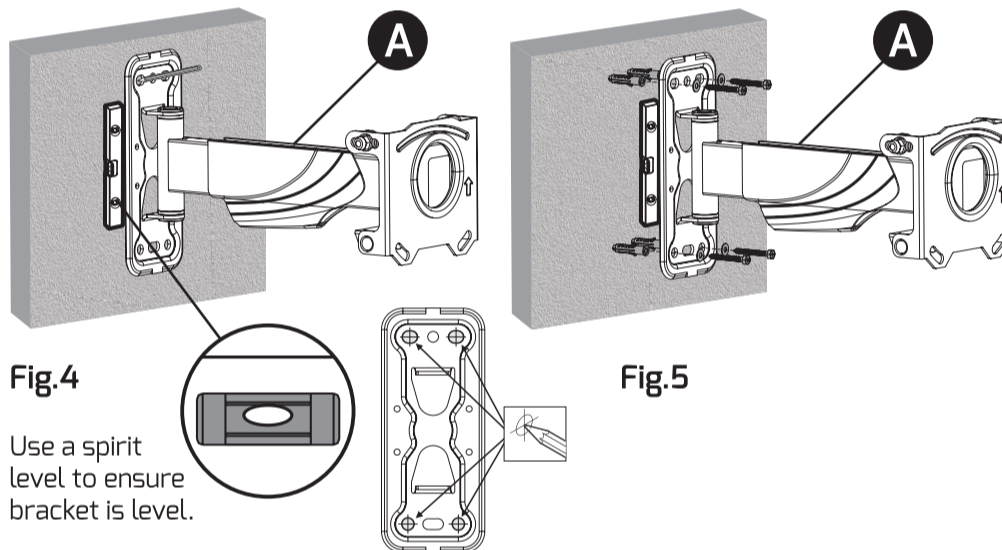


Fig.4

Fig.5

Use a spirit level to ensure bracket is level.

3. Attaching the Plastic Covers

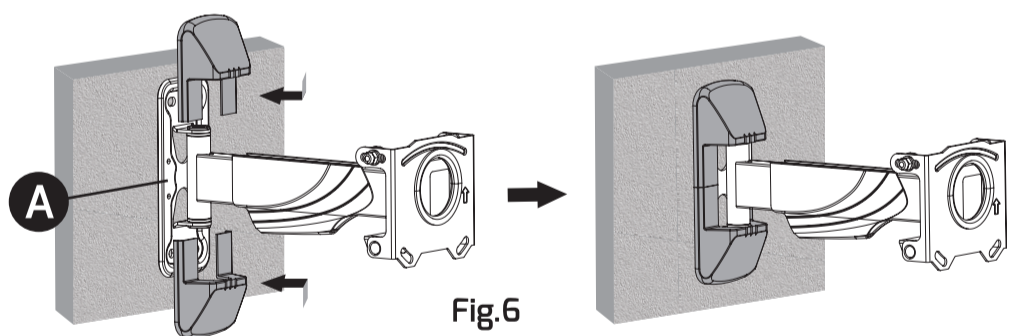


Fig.6

Once the bracket arm has been securely attached to the wall, place the plastic covers over the back of the bracket see Fig.6.

4. Mounting the Plate to the TV

Select the correct size bolts to fit the VESA holes for your TV G/H/I/J/K/L/M/N/O/P/Q/R/S/T/U/V/W/X/Y/Z.

Attach the wall mount plate to the back of the TV by lining up the VESA holes and using bolts G/H/I/J/K/L/M/N/O/P/Q/R/S/T/U/V/W/X/Y/Z and the washers G/H/I/J/K/L/M/N/O/P/Q/R/S/T/U/V/W/X/Y/Z to fix the TV securely to the mounting plate.

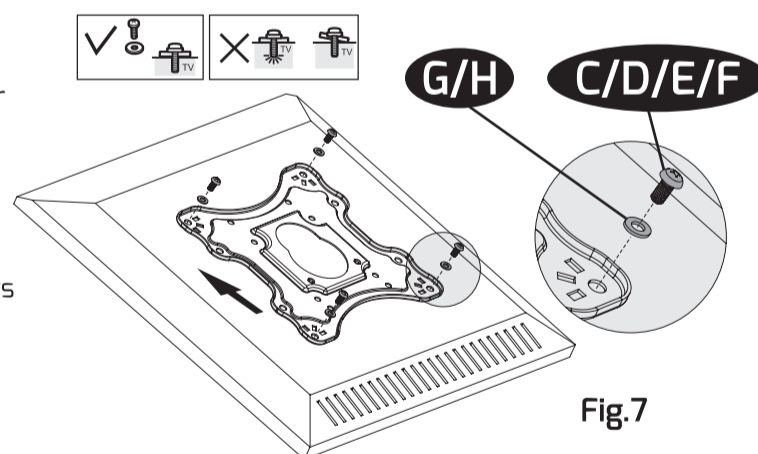


Fig.7

5. Mounting the TV to the Bracket Arm

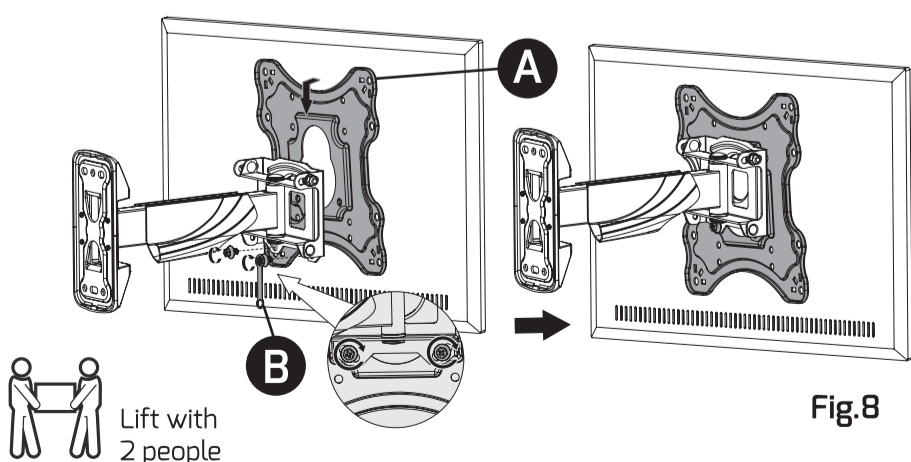


Fig.8

With two people, lift and hold the TV in place while tightening the bolts using the spanner supplied B to secure the TV.

6. Adjusting the Tilt, Swivel & Level

Once attached, you can loosen the bolts located on the back of the bracket using the spanner supplied B to alter the tilt and level adjustment see Fig.9. When the desired viewing angle has been set, tighten the bolts.

You can swivel the TV left or right to further alter the viewing angle.

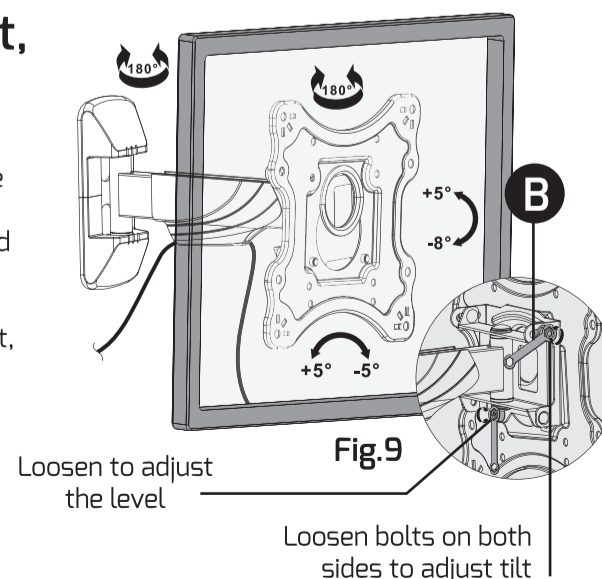


Fig.9

Loosen to adjust the level

Loosen bolts on both sides to adjust tilt