

THOR

USER GUIDE - 28094T

Motorised TV Wall Mount



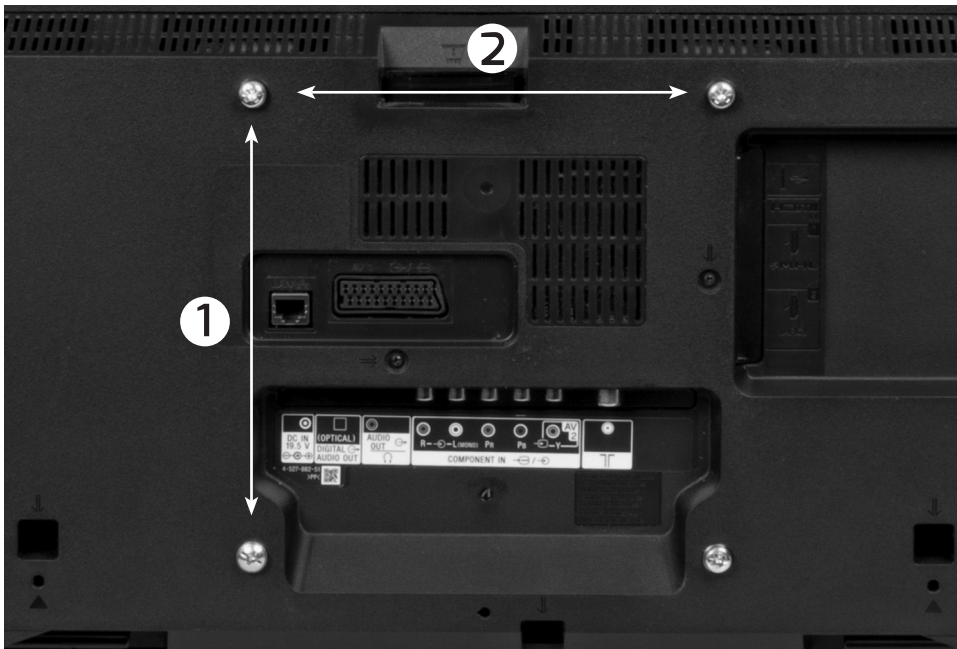
- TV Size range: **32-60**
- Maximum weight capacity: **40kg**
- Mount function: **Remote control swivel**
- Wall to TV distance: **47-990mm**
- Compatible with VESA sizes:
200 x 200, 400 x 200, 300 x 300, 300 x 200, 400 x 300, 400 x 400

Warnings

- We have not supplied wall fixings with this product. All walls differ in strength and thickness. Consult a qualified installer or seek advice from your local DIY/hardware store on purchasing suitable wall fixings to safely mount the bracket on the type of wall being used.
- Check the component images on page 4 to check there are no missing or defective parts.
- Never exceed the Maximum Weight Capacity.
- Read these instructions carefully before installation. If in any doubt about safely installing this product, contact a professional installer for assistance.
- This product was designed to be installed on wood stud walls and solid concrete/brick walls. When fixing to walls screws/bolts should be fixed into bricks/stone not into mortar courses.
- Make sure the wall will support the combined load of the equipment and hardware. Also check for hidden wiring or plumbing.
- Make sure that the heads of the screws/bolts you buy as wall fastenings are the correct size to hold the bracket securely in position.
- For larger/heavier TVs we recommend that you ask someone to assist you with lifting and positioning your TV.
- This product is suitable for indoor use only.
- Improper installation or use of this product can result in product failure, damage or personal injury.
- This product contains small items that could cause choking if swallowed, so keep these items away from children and pets.
- Appropriate safety equipment and proper tools must be used for installation. Always check manufacturer's operating and safety instructions before using tools and other equipment.
- The mains power adaptor is used as the disconnect device and must be easily reached to unplug in case of emergency.
- Only use the power adaptor supplied if it needs to be replaced make sure the replacement's rating and polarity are the same as that supplied.

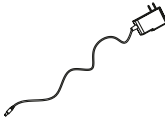
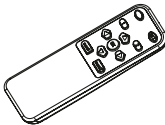
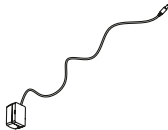
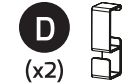
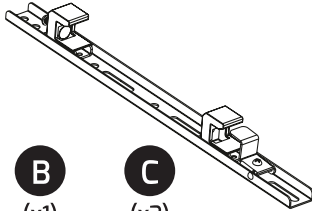
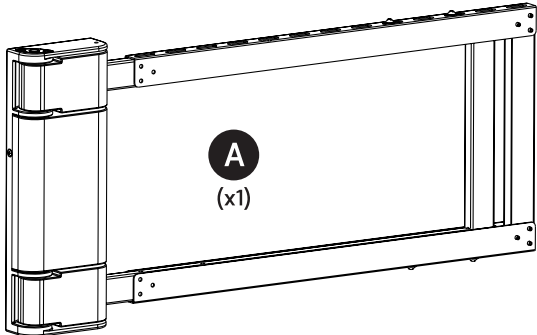
Wall Mount & VESA Compatibility

- VESA is the standard adopted by most TV manufacturers for wall bracket mounting.
- There are 4 holes on the back of every flat screen TV and the space between the holes is governed by the VESA standard.
- VESA comes in a range of sizes depending on the weight and size of the flat screen TV; sizes 50 x 50mm, 75 x 75mm, 100 x 100mm, 200 x 100mm and so on... are standard. Not all flat screen TVs are compliant, contact the TV manufacturer for assistance if your TV does not appear to comply with VESA.
- To check if your TV or monitor is compliant, look at the rear of the display there should be 4 screw-holes in a square pattern or in larger displays a rectangular shape.
- Measure the distances marked (2) (horizontal) x (1) (vertical) below in mm to find your VESA format.

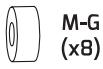
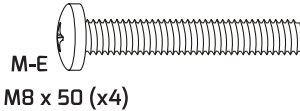
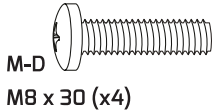
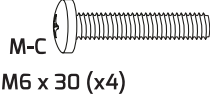
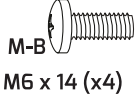
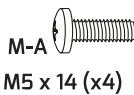


Wall Mount Components

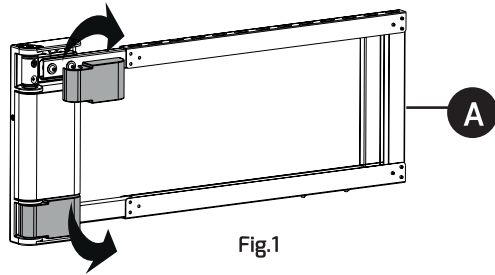
Before installation check that you have all the components shown here and that none of them are damaged.



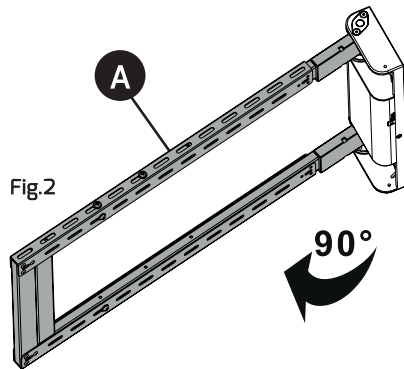
Fixings



Step 1. Unclip the Covers from the Mount



Step 2. Opening the Swing Arm



Step 3. Position the Swing Arm

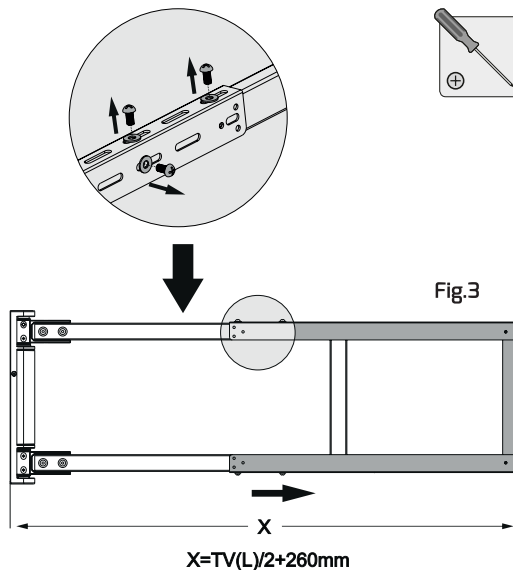
Remove the screws
and washers using
a screwdriver.

The swing arm needs to be
adjusted according to the
size of the TV.

$$X=L/2 + 260\text{mm}$$

L: the length of the TV

Reinstall the screws and
washers to secure the
swing arm, see Fig.3.



Step 4a. Preparing Wall Fixings - Stud Walls

The wall bracket **A** is attached to the wall using four appropriate screws/ bolts and washers as shown in **Fig.7**. Make sure the screws/bolts are suitable for wood and large enough to support the weight of the TV and bracket (if in doubt ask for advice at your local DIY/hardware store and remember to make sure that the heads of the screws/bolts are the correct size to hold the bracket securely in position). Mark and drill four holes into the wood as close as possible to the centre of the upright (use a stud finder to locate the centre of the stud). To mark the holes, hold the wall template **B** to the wall, using the spirit level **E** to make sure the bracket is level, and mark the centre of each hole, see **Fig.4/5**. Drill the four holes and attach the bracket **A** to the wall using the appropriate screws/bolts and washers.

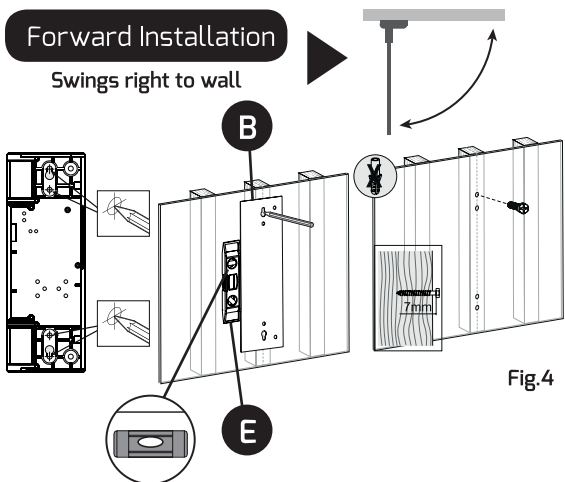
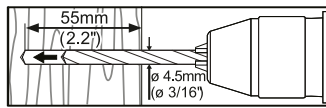
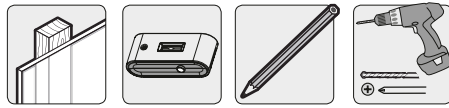


Fig.4

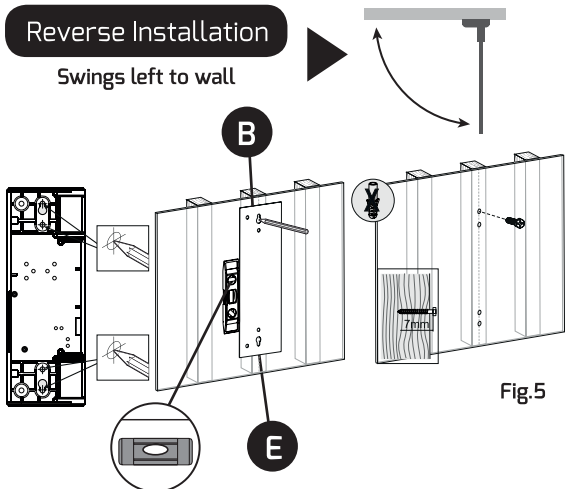
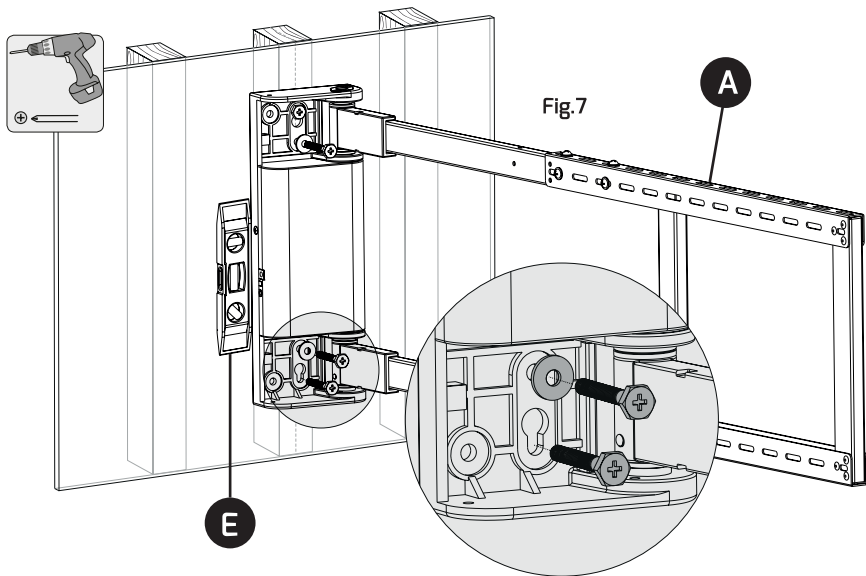
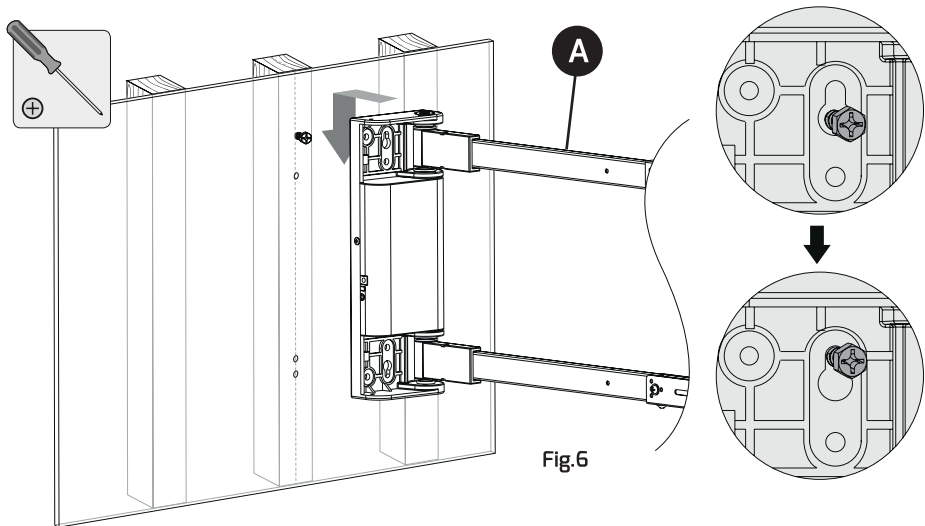
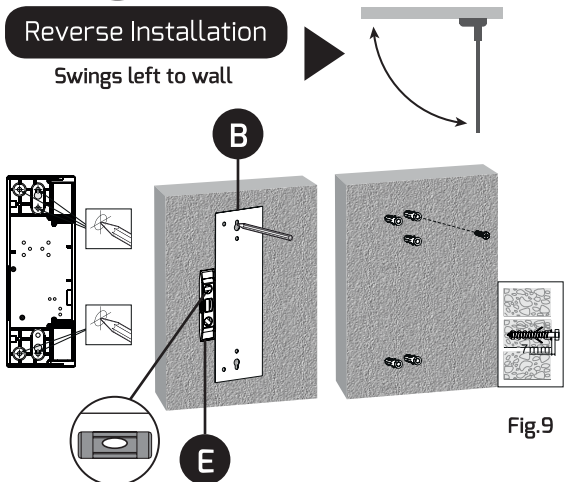
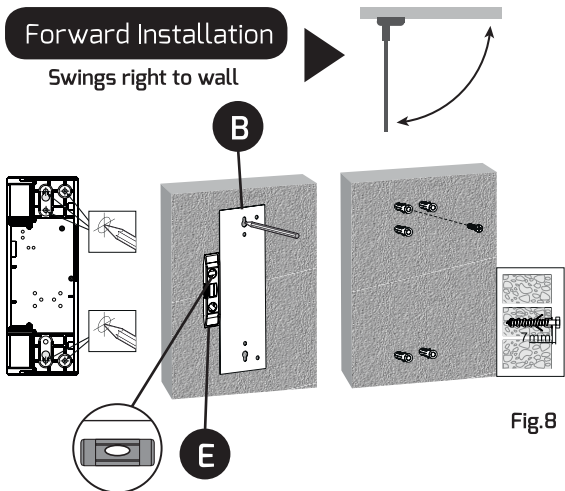
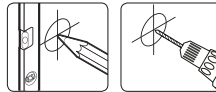
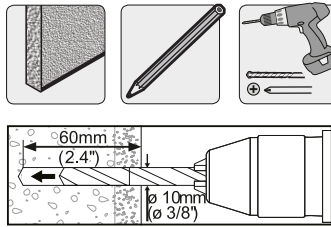


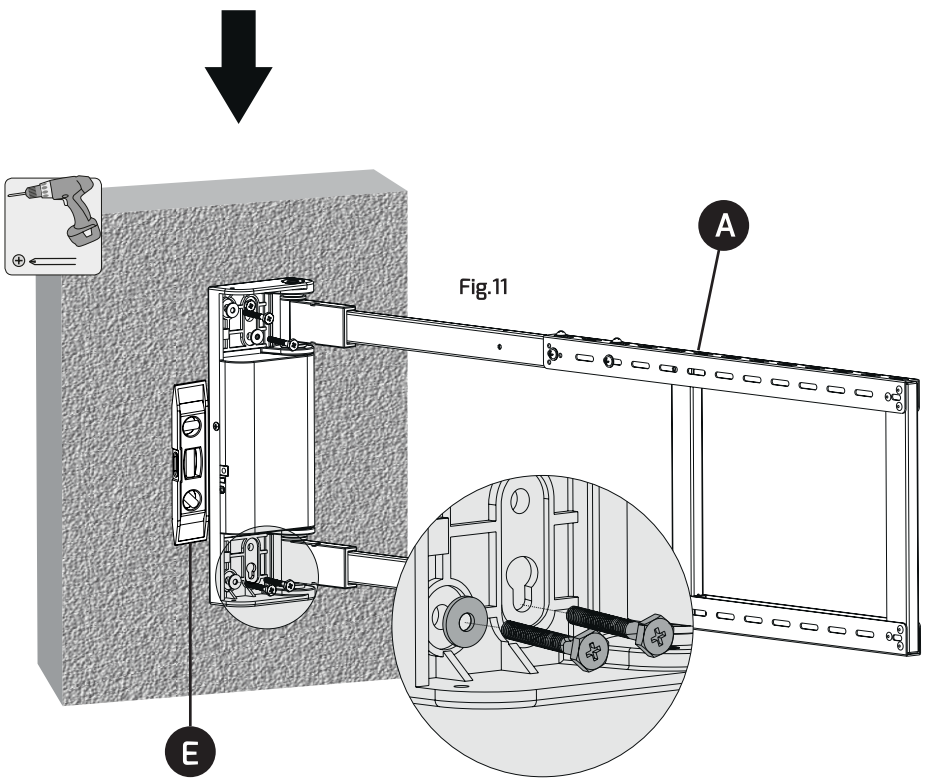
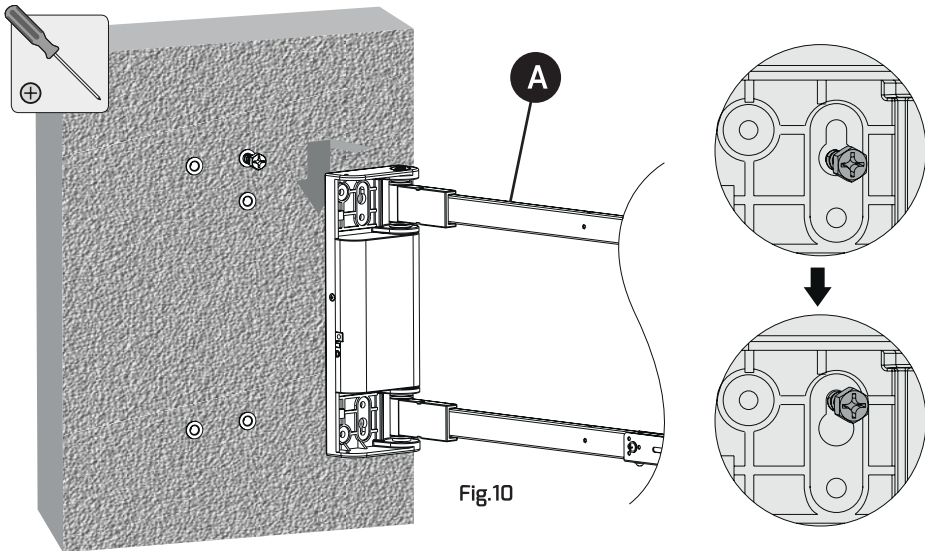
Fig.5



Step 4b. Preparing Wall Fixings - Concrete/Brick Walls

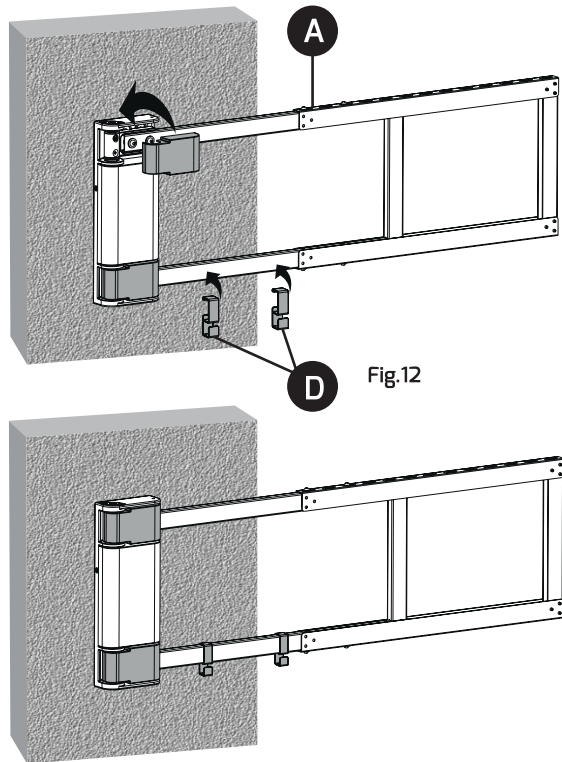
The process is the same as for attaching to wood see Fig.4-7. You will however need to use suitable screws/bolts/wall plugs for the type of wall you are mounting onto (if in doubt ask for advice at your local DIY/hardware store and remember to make sure that the heads of the screws/bolts are the correct size to hold the bracket securely in position). When fixing to walls screws/bolts should be fixed into bricks/stone not into mortar courses.





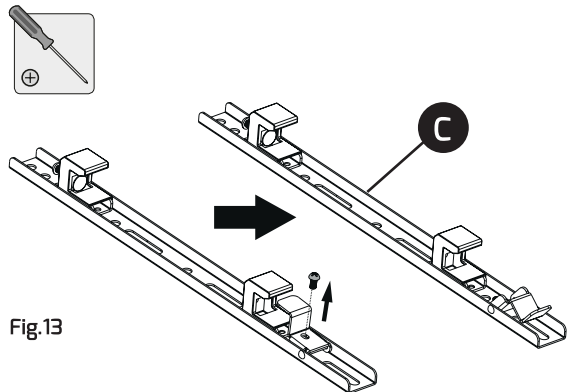
Step 5. Attaching the Covers and Cable Clips

Attach the covers to the top left and bottom left of the mount **A**.
Hook the cable clips **D** over the bottom arm of the mount **A**, see Fig.12.



Step 6a. Attaching the Adaptor Brackets

Remove the screws from the adaptor brackets **C** and keep them for later use, see Fig.13.



Step 6b. Attaching the Adaptor Brackets - Flat Back Screens

Select the correct size bolts to fit the VESA holes for your TV **M-A/M-B**. Attach the wall mount brackets to the back of the TV by lining up the VESA holes and using bolts **M-A/M-B** and the washers **M-F** to fix the TV securely to the mount brackets, see Fig.14.

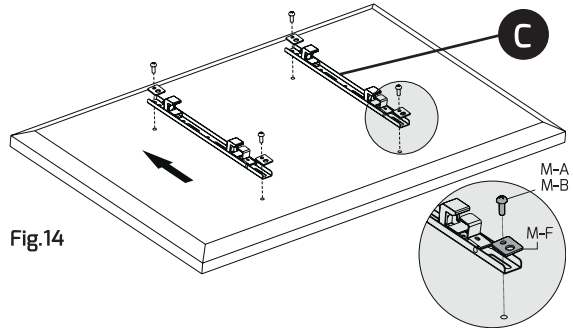
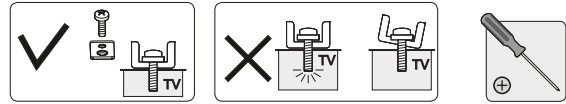


Fig.14

Step 6c. Attaching the Adaptor Brackets - Recessed Back Screens

You can increase the spacing between the wall mount brackets and the back of the TV by using the spacers **M-G/M-H**, see Fig.15.

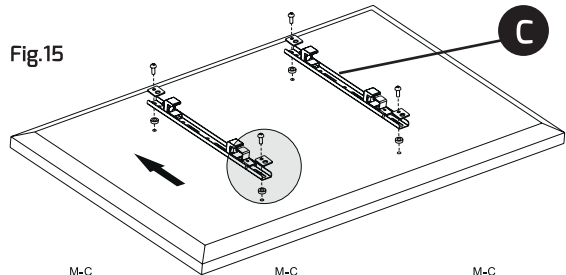
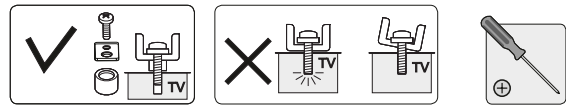
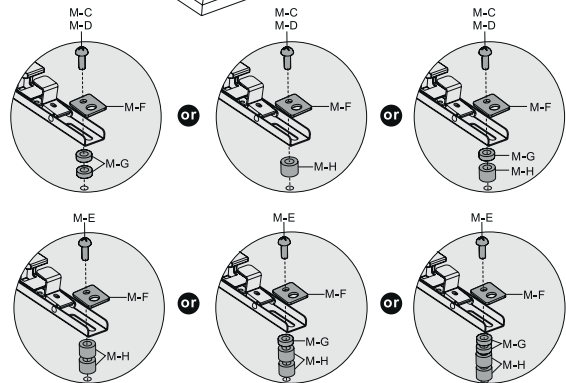


Fig.15



Step 7. Hooking the TV on to the Wall Mount

Hook the TV over the swing arm **A** top and bottom, see **Fig.16a**. Lift the bottom clips into position and replace the screws removed in **Step 6a** to secure the adaptor brackets **C** to the swing arm **A**, see **Fig.16b** inserts.

WARNING:

Ensure the TV is correctly hooked on to the swing arm **A** before releasing the TV.

To avoid the any tilt caused by the weight of the TV, you can tighten the adjustment screws to help level the TV, see **Fig.17**.

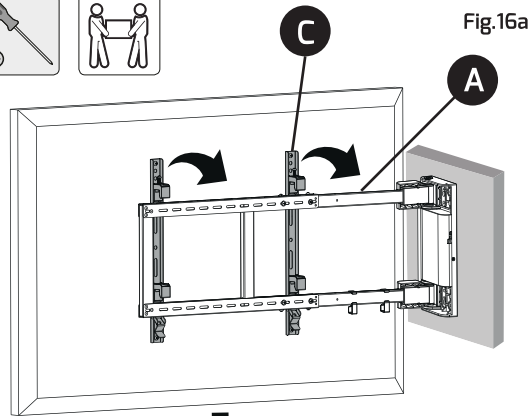


Fig.16a

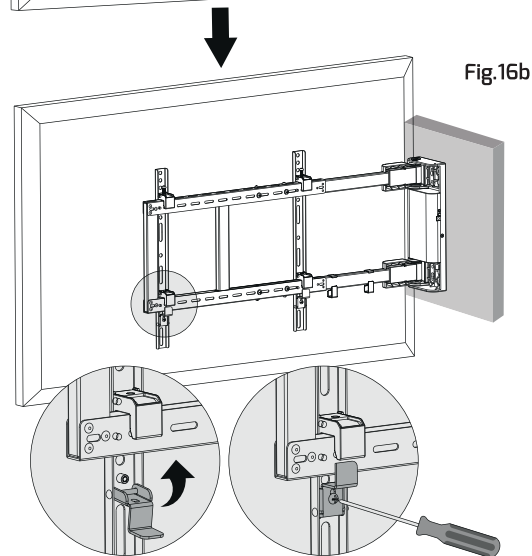


Fig.16b

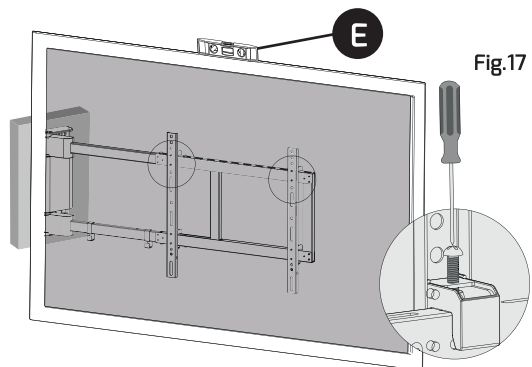


Fig.17

Step 8. Cable Management

Connect the cables to your TV and route them through the cable clips **D**, Fig.18.

Leave slack in the cables for arm movement.

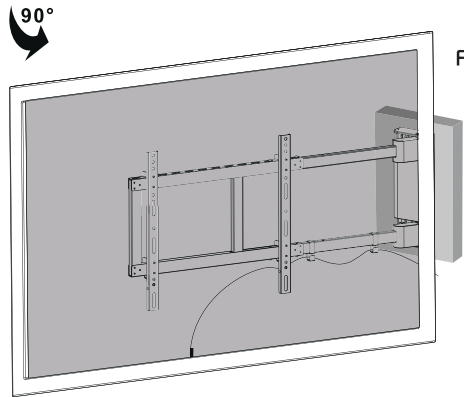
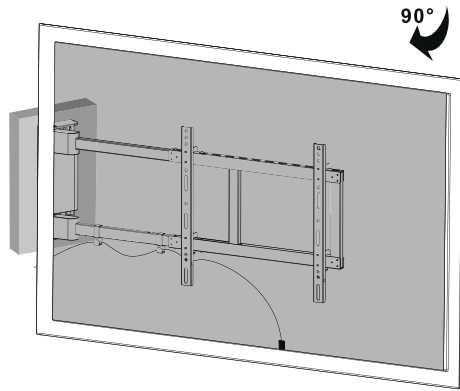


Fig.18

Step 9. IR Receiver

Peel the backing paper from the back of the IR receiver **F** and attach it in the desired location.

Ensure there are no obstructions between the IR receiver **F** and the position from which the remote will be used, Fig.19.

WARNING:

Do not insert the plug **H** into the power outlet until you are ready to operate the mount.

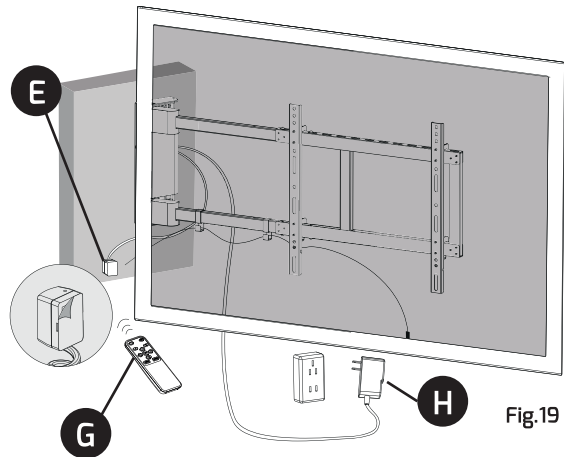
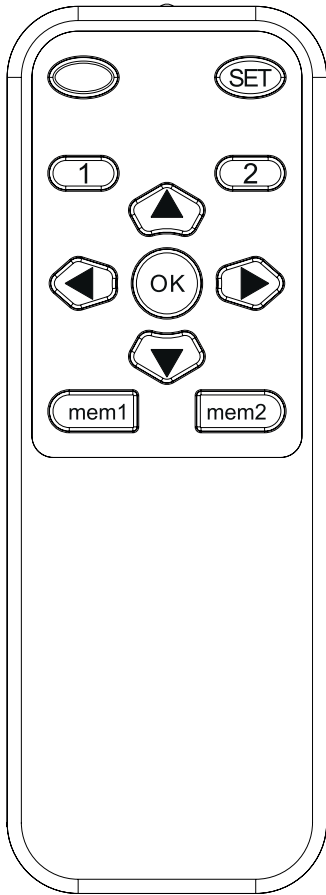





Fig.19

Step 10. Remote Control Operation



- **Step 10a**
The remote requires 2x AAA 1.5V alkaline (not supplied). Open the battery compartment and insert the batteries making sure that they are the right way round and the polarity corresponds with the markings in the battery compartment.
- **Step 10b**
When powered, the buzzer will sound once, indicating the wall mount is in standby mode.
- **Note:** You have the option to set the wall mount for forward or reverse motion.
(If the wall mount swings to the right against the wall it is referred to as forward installation and if it swings to the left it is referred to as reverse). If you are using the forward installation method, **Step 10c** is not needed.
- **Step 10c**
For the reverse installation option, press and hold  for 5 seconds until the buzzer sounds twice. This indicates that the remote is now set to be used for reverse motion.
Note: The wall mount is preset to rotate from flush to the wall (0°) to perpendicular to the wall (90°). This can be accidentally adjusted by manually rotating the mount try not to do this unless you need a different range of rotation. If you want to reset the angle of the rotation back to 0° and 90°, press and hold  for 5 seconds and repeat 4 times. The wall mount will start repositioning automatically.
- **Step 10d**
Press and release  to return the wall mount to its original position, flat against the wall.

Key Functions

Stop Key

Left Directional Key

Press and release to swivel the wall mount left

Right Directional Key

Press and release to swivel the wall mount right




Memory 1 Key

Press and hold for 5 seconds until the buzzer sounds twice. The LED will flash to indicate the action is saved to memory location 1




Memory 2 Key

Press and hold for 5 seconds until the buzzer sounds twice. The LED will flash to indicate the action is saved to memory location 2

Memory 1 Recall +

To recall the  key (memory location 1) press and release  and then press . The wall mount will automatically swivel to the location/angle set for memory 1 after the buzzer sounds once.

Memory 2 Recall +

To recall the  key (memory location 2) press and release  and then press . The wall mount will automatically swivel to the location/angle set for memory 2 after the buzzer sounds once.

Forward and Reverse Keys

These keys are used for set up only and are not used in normal operation.

Specifications

Power Adaptor

Input: 100-240V~50/60Hz, 1.6A

Output: 12V=1.0A

IR Remote Control

Batteries: 2x AAA 1.5V alkaline (not supplied)

Customer Support



For further information or any queries please contact:

Technical Support:

www.philex.com/support

Environmental Protection



Waste electrical and electronic products including batteries should not be disposed of with household waste. Please recycle where facilities exist. Check with your local authority for recycling advice.

