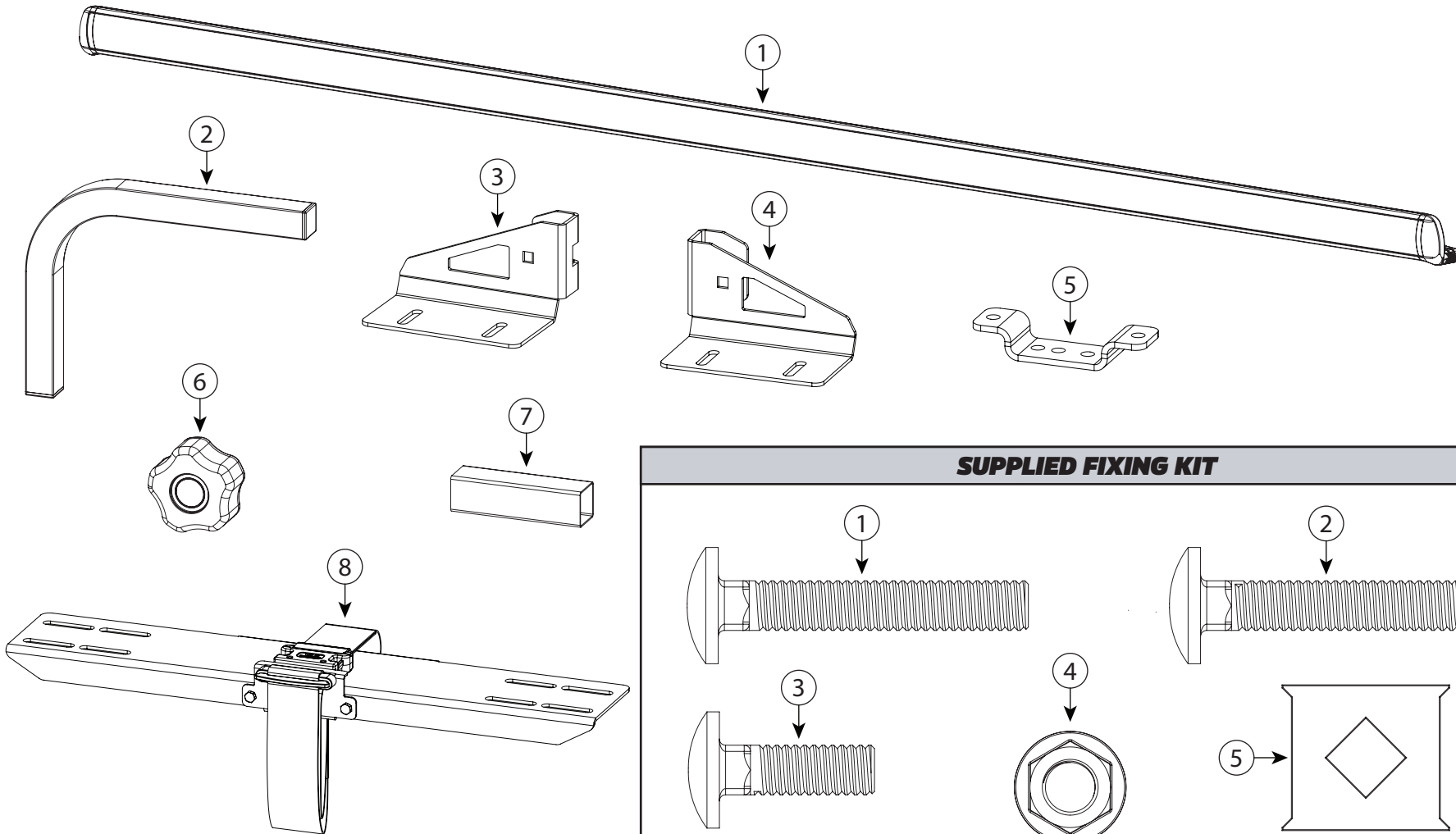


IN8056

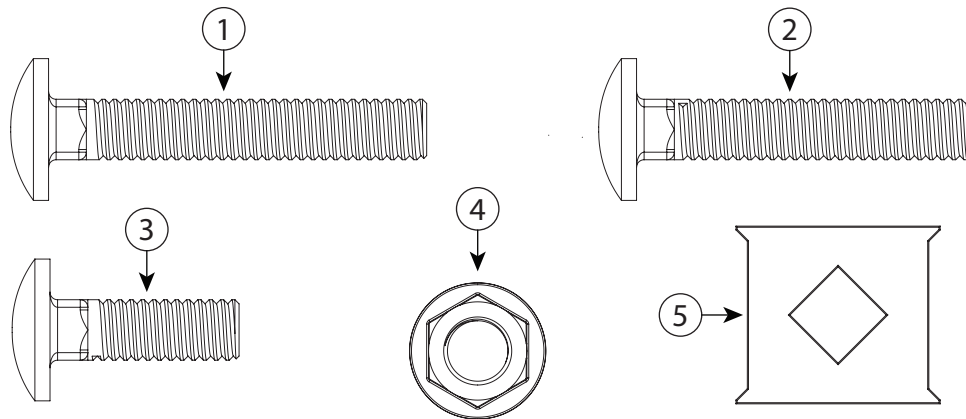
Ladder Slide & Secure

SUPPLIED COMPONENTS



#	PART NO.	QTY
1	-	2
2	AS3237	2
3	ME0441	1
4	ME0442	1
5	ME0897	4
6	FX4096	2
7	MA6049	2
8	AS3226	1

SUPPLIED FIXING KIT



#	PART NO.	QTY
1	FX4048 (M8X50)	8
2	FX4114 (M8X45)	2
3	FX4113 (M8X25)	8
4	FX4011 (M8)	16
5	ME0446	16

TOOLS REQUIRED: 13mm SPANNER / RATCHET

This FITTING INSTRUCTION is the property of VAN GUARD ACCESSORIES LTD. and must not be used for manufacturing purposes, copied nor communicated in any way to third parties without written permission from VAN GUARD ACCESSORIES LTD.

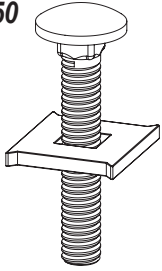
IN8056_B

Van Guard Accessories Ltd
Fair Oak Close, Exeter Airport Business Park,
Exeter, Devon, EX5 2UL
www.van-guard.co.uk

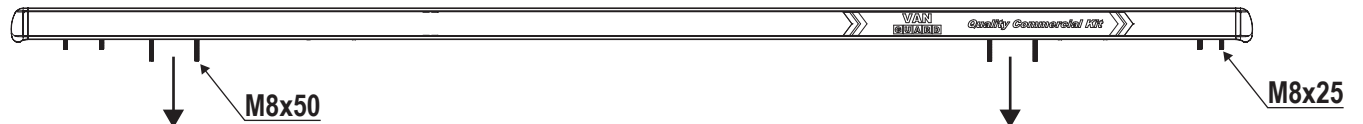
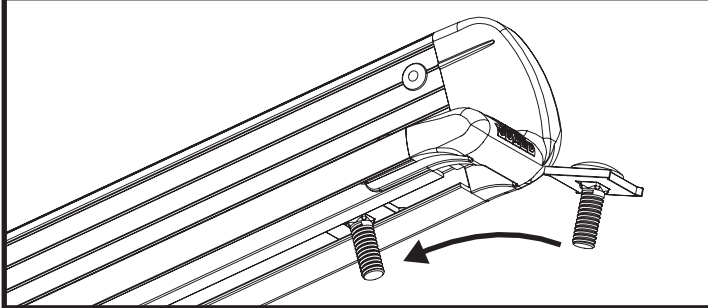
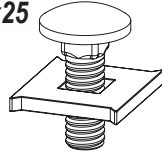
1

Assemble the M8x50 & M8x25 coach bolts with the mounting slot plates. Slide the assemblies into the ladderslides t-slot (4 of each per side), ensuring that the coach bolts are in the correct order (as shown on the right). Once in position place the ladderslides onto the roof bars.

M8x50

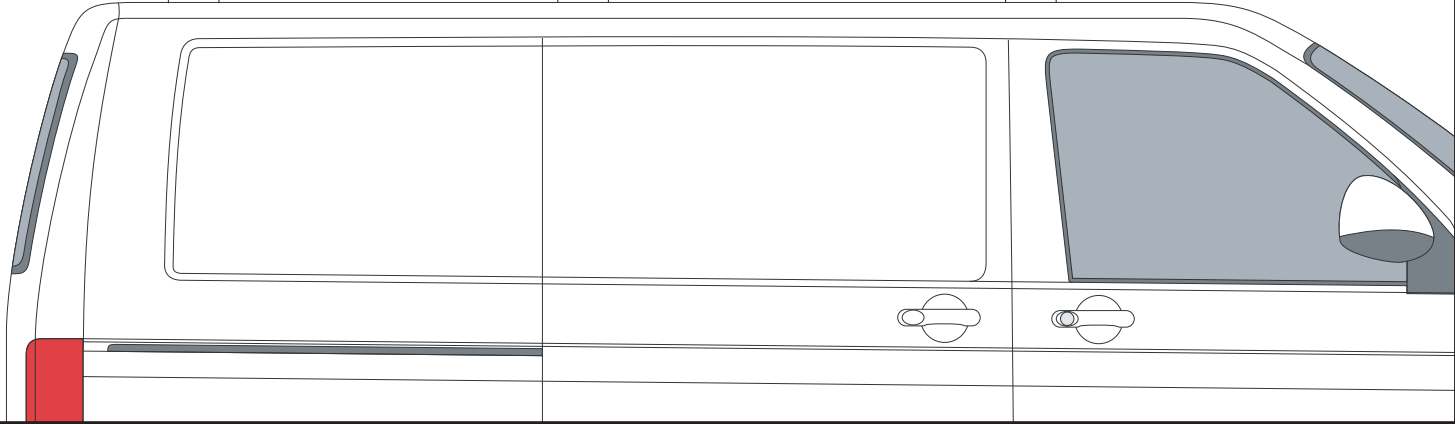


M8x25

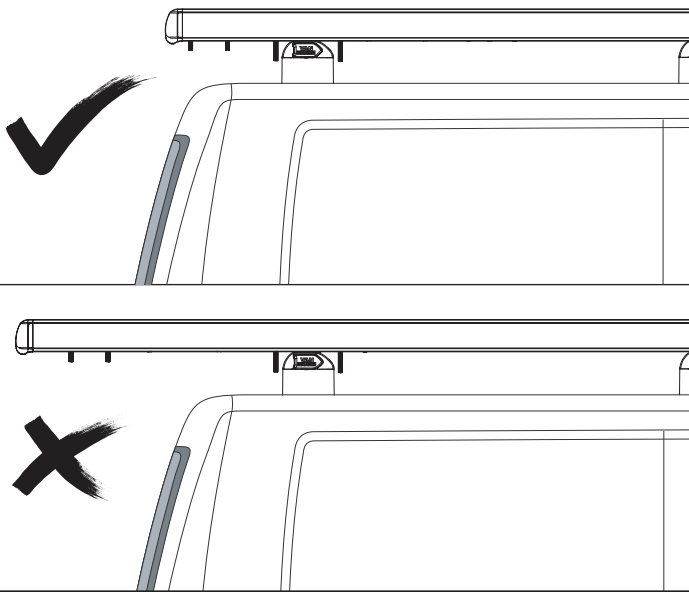
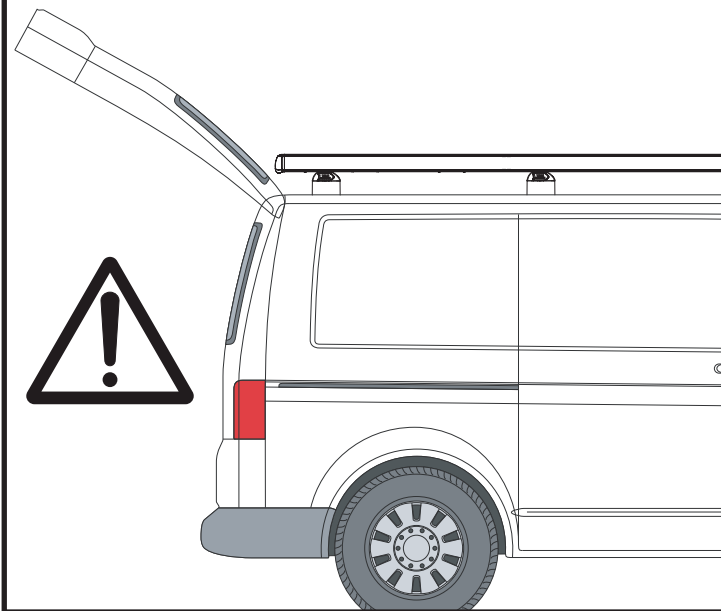


M8x50

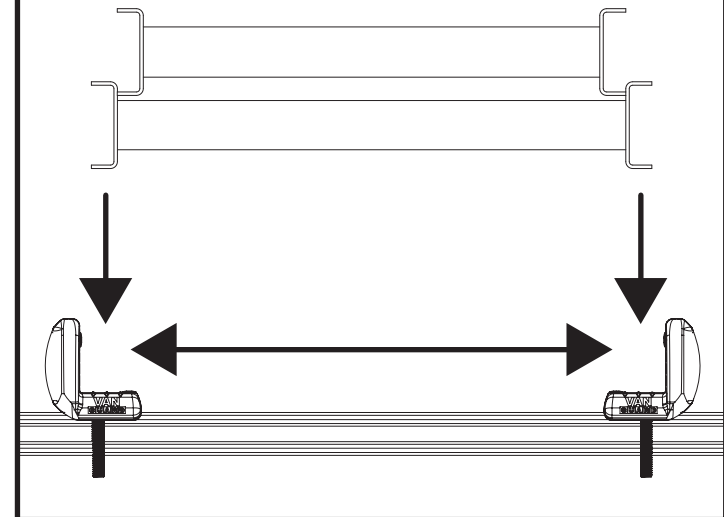
M8x25

**2**

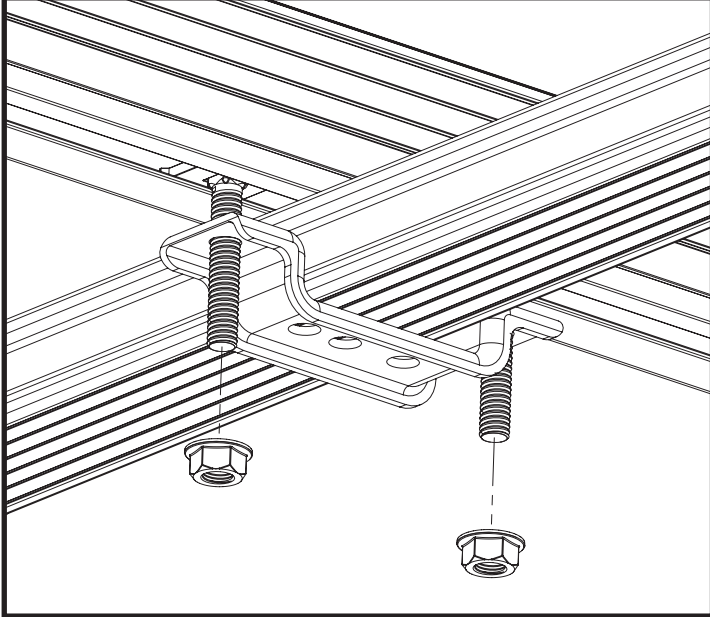
Position the ladderslides to suit the vehicle. If fitting to a vehicle with a tailgate position ladderslides with the tailgate open to ensure enough clearance is given.

**3**

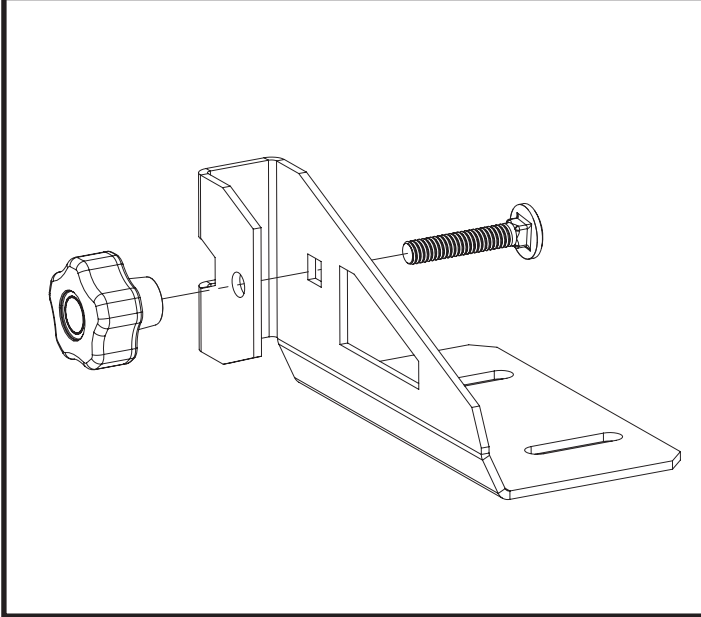
Adjust the width of the ladderslides to suit the ladder.



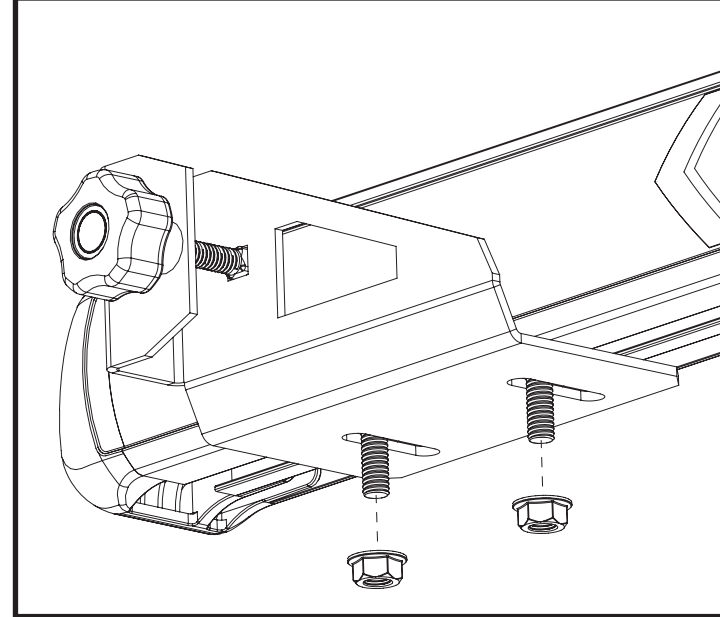
4 Secure the ladderslides to the roof bars using the M8x50 coach bolts fitted in step 1, fixing brackets & M8 serrated nuts.



5 Loosely assemble the retaining bar brackets, M8x45 coach bolts & M8 hand wheels together.



6 Secure the retaining bar brackets to the front of the ladderslides using the M8x25 coach bolts fitted in step 1, fixing brackets & M8 serrated nuts.



7 If securing a ladder sized between 110-170mm refer to FIG.1. If securing a ladder sized between 170-230mm refer to FIG.2.

FIG.1

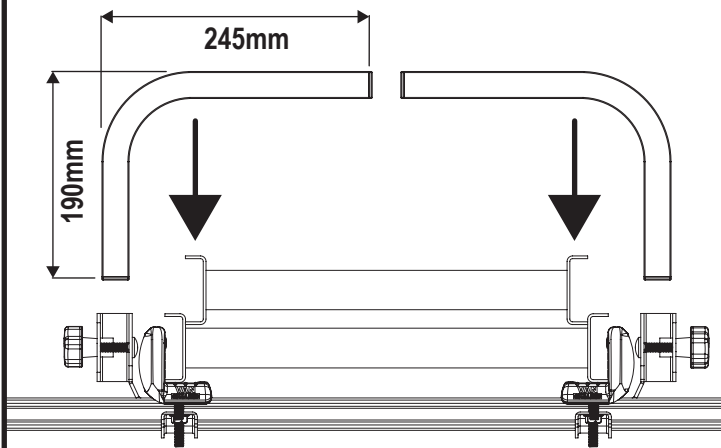
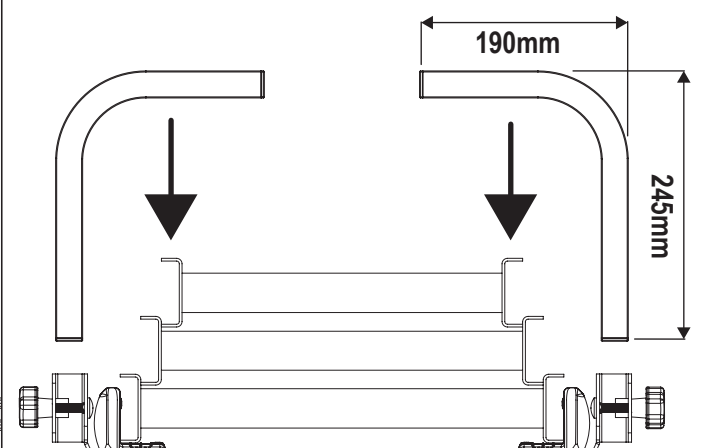
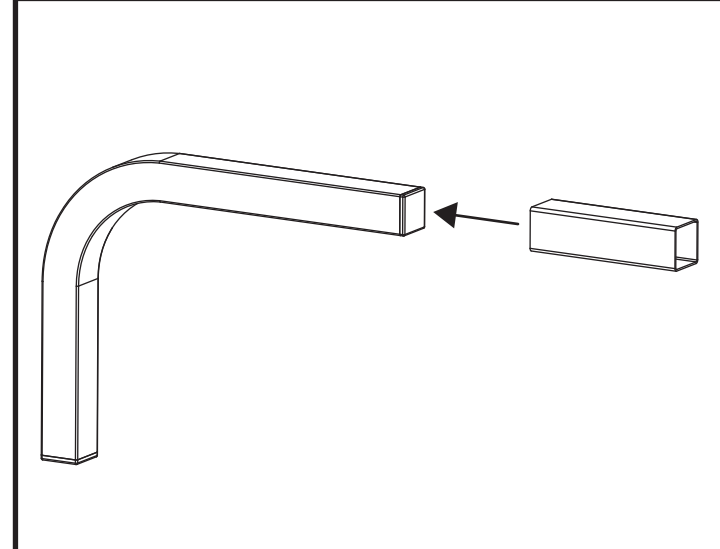


FIG.2

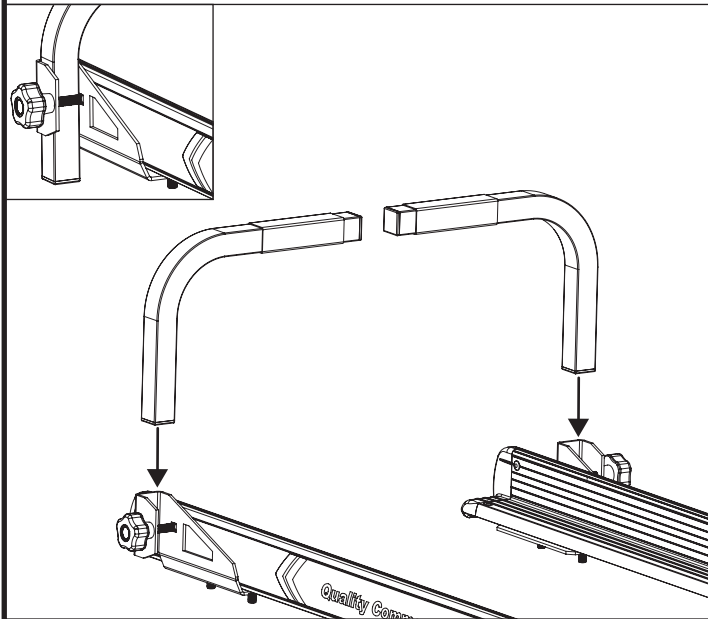


8 Slide the covers onto the retaining arms.

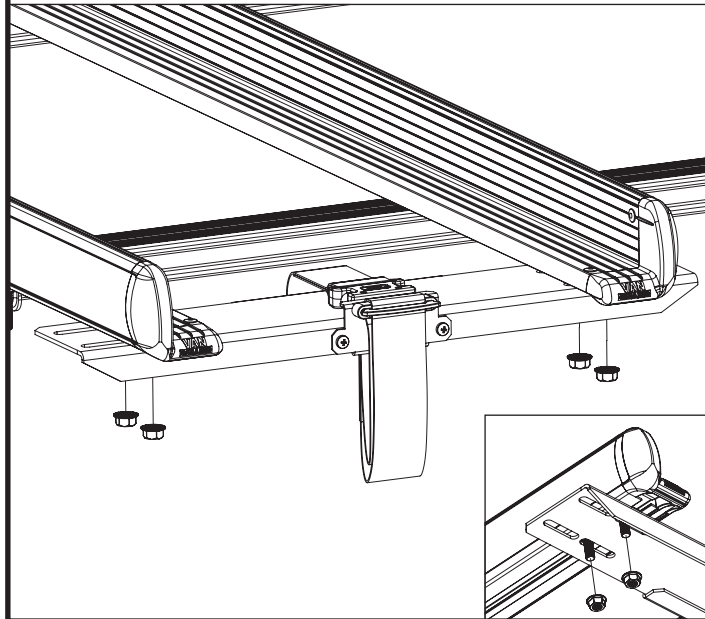


9

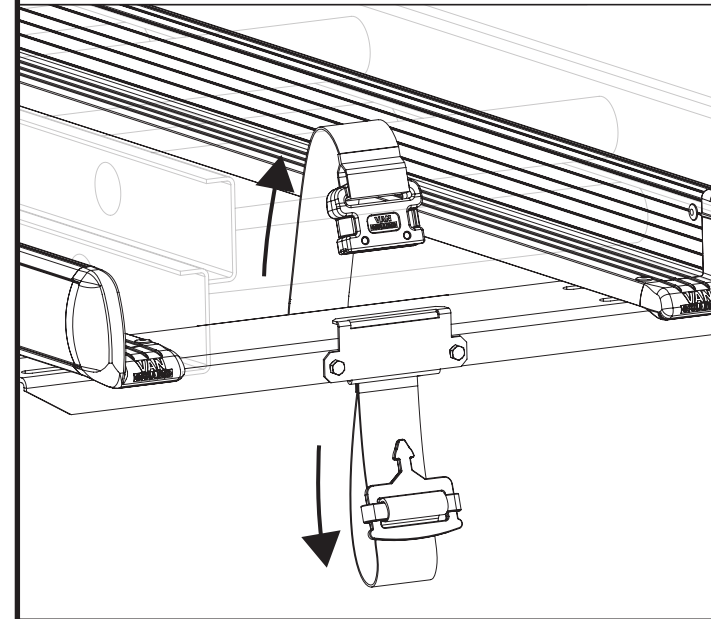
Secure the retaining arms to the retaining arm brackets.

**10**

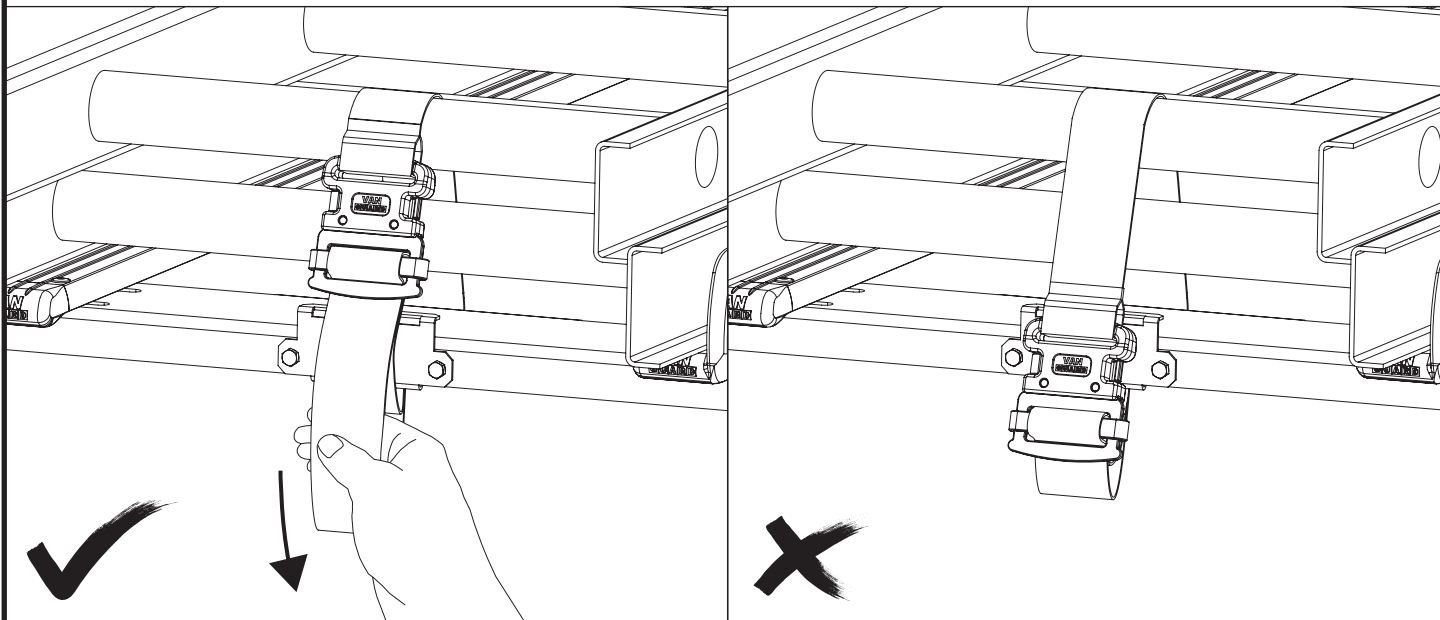
Secure the buckle stow plate to the rear of the laddersides using the M8x25 coach bolts fitted in step 1, fixing brackets & M8 serrated nuts.

**11**

Adjust the strap to suit the height of the ladder.

**12**

Secure the ladder to the ladderside and pull the strap down tight.

**13**

Once in position tighten all fixings to 12Nm.

Regularly inspect all fixings and parts. Any damaged or worn parts should be immediately removed from the vehicle and replaced.



**TIGHTEN
TO
12Nm**

IMPORTANT NOTES:

Maximum load is 40kg per ladderside. Please check that the vehicle manufacturers load bearing capacity for the roof is not exceeded. (Refer to the vehicle handbook)

Regularly inspect all fixings and parts.

Retain these instructions for future reference. It is important that the end user receives this document.