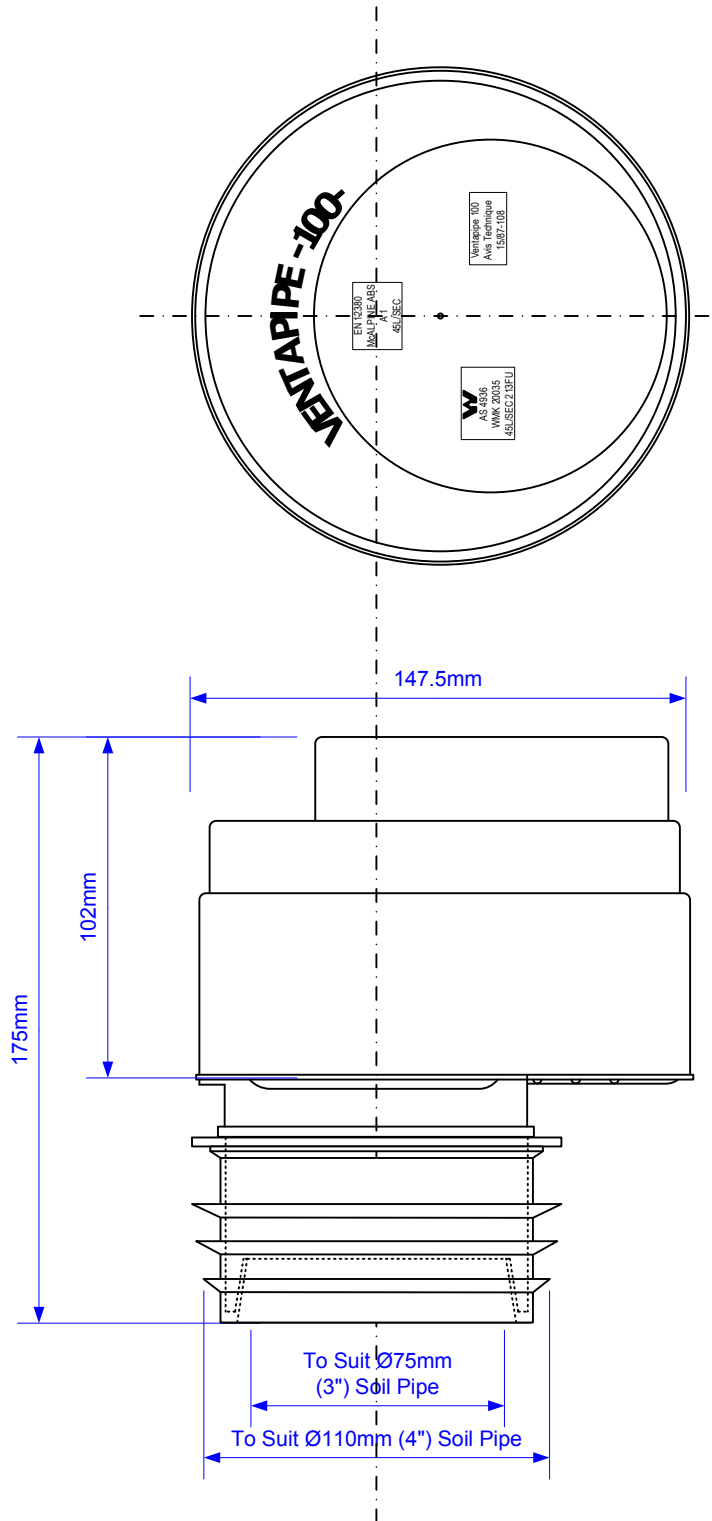


Code:

VP100



Drawing verified
correct as of:

14/02/2017
RM

DRAWN BY
RM

SCALE
1: 2.25

REVISED

26/02/2007, 27/05/2009, 07/04/2011,
18/09/2012, 25/03/2015, 26/07/2016,
06/02/2017, 14/02/2017

FILENAME

VP100.VSD

DATE

14/02/2017