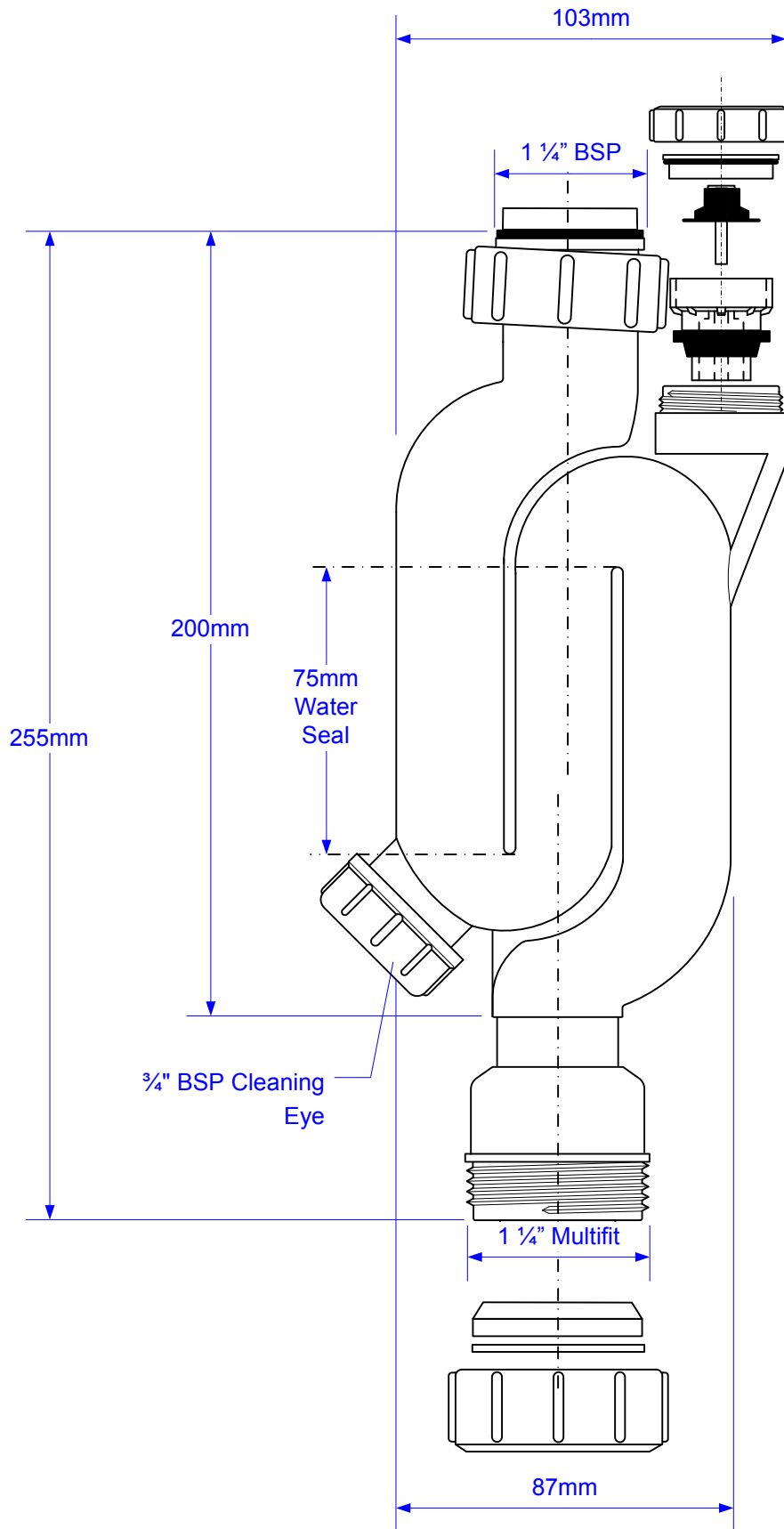


Code:

X10V



© McALPINE
27/05/2004

Drawing verified
correct as of:

27/05/2004
RM

DRAWN BY

RM

REVISED Cleaning eye amended to 3/4".
25.08.15 S.D.

SCALE

1: 1.75

FILENAME

X10V.VSD

DATE

27/05/2004