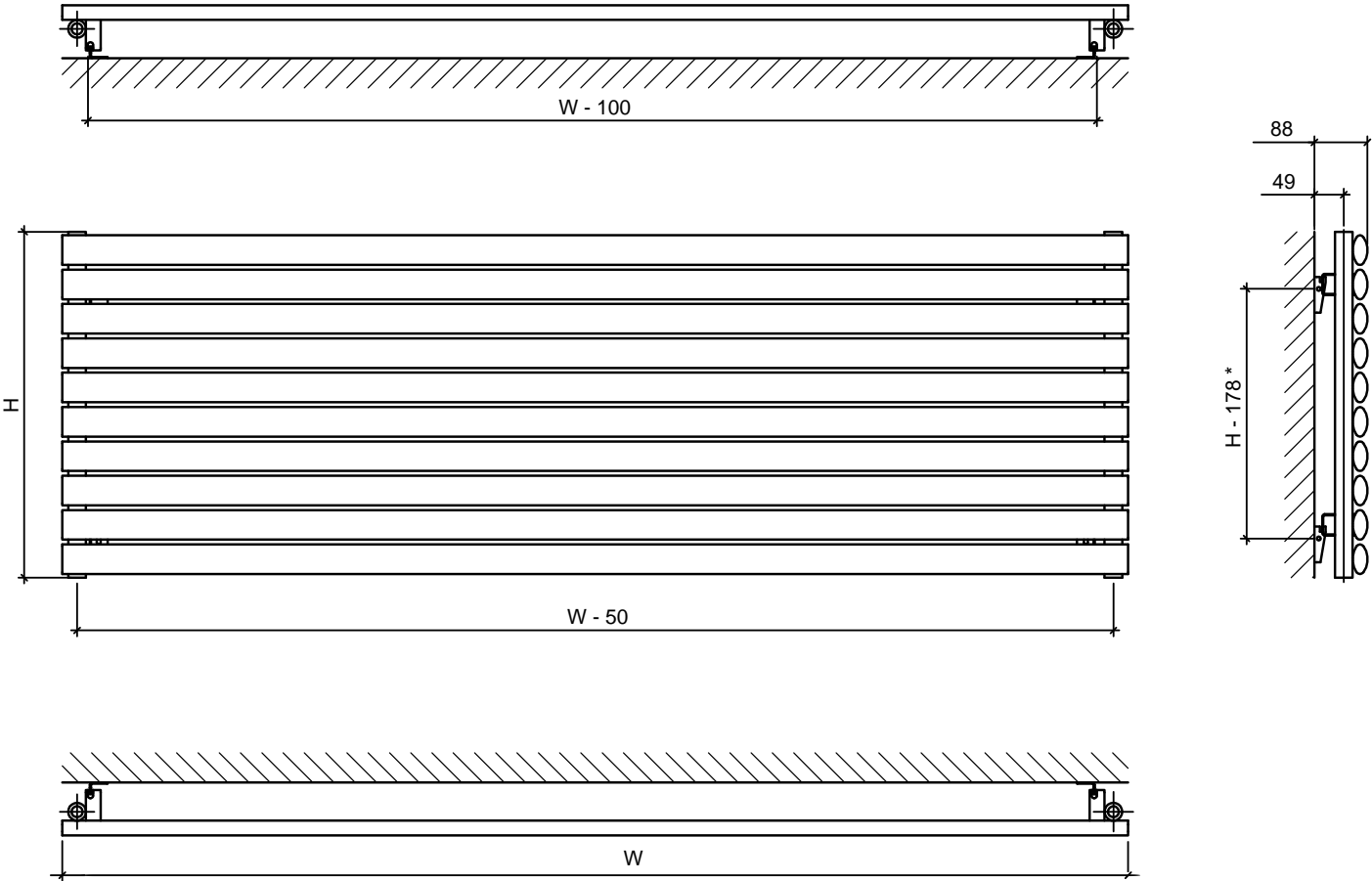


Bristol Horizontal Single



* for height 236 and 294 mounting dimension is $H - 62$