

DX100HTA

4" / 100mm axial fan complete with fitting kit

Toolstation Product Code **25995**

A compact and easy to install single speed fan. Suitable for a wide range of applications including bathrooms, shower rooms and toilets.

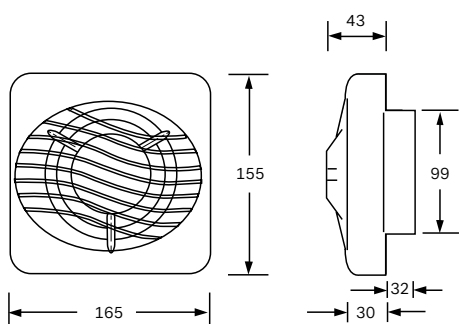
DX100HTA fan comes complete with a universal fitting kit (wall tube, gasket x 2, outer grille and skirt moulding for window) suitable for wall, ceiling or window mounting in single glazing up to 6mm.

DX100HTA is a Humidistat / Timer fan. This means that the fan can be activated by either reaching a threshold of humidity, or via an external switch such as a lighting circuit. The fan will continue to run until humidity has returned to below threshold level and for a period (can be set between 2 and 30mins) after the external switch is turned off (which ever is longer).

Technical Details

	DX100HTA
No speeds	1
Power (W)	12
Duct size (mm)	100
Flow rate (l/s)	23
Flow rate (m ³ /hr)	76
Noise dBA @3m	35
IPX Rating	4
Motor Type	AC
Pullcord	X
Timer (2-30mins)	✓
Humidistat	✓
Height (mm)	155
Width (mm)	165
Depth (mm)	75
Packed weight (kg)	1.13
Packed height (mm)	190
Packed width (mm)	220
Packed depth (mm)	170
Colour	White

Dimensions



DX100HTA

Model number
DX100HTA

Part Number
92567AW

Product type
4"/100mm axial fan

Country of origin
Ireland

2 Year Guarantee

