

DX100T

4" / 100mm axial fan complete with fitting kit

Toolstation Product Code **14697**

A compact and easy to install single speed fan. Suitable for a wide range of applications including bathrooms, shower rooms and toilets.

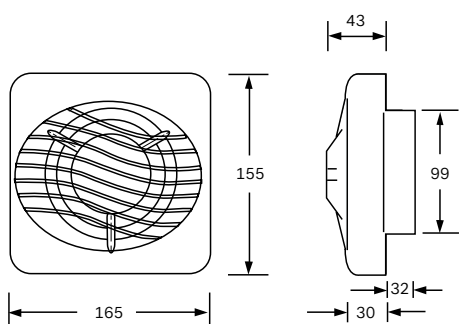
DX100T fan comes complete with a universal fitting kit (wall tube, gasket x 2, outer grille and skirt moulding for window) suitable for wall, ceiling or window mounting in single glazing up to 6mm.

DX100T has an overrun timer which can be set at install between 2 and 30 minutes. This means that the fan continues to operate for this time once the external switch (for example a lighting circuit) is turned off.

Technical Details

	DX100T
No speeds	1
Power (W)	12
Duct size (mm)	100
Flow rate (l/s)	23
Flow rate (m ³ /hr)	76
Noise dBA @3m	35
IPX Rating	4
Motor Type	AC
Pullcord	X
Timer (2-30mins)	✓
Humidistat	X
Height (mm)	155
Width (mm)	165
Depth (mm)	75
Packed weight (kg)	1.13
Packed height (mm)	190
Packed width (mm)	220
Packed depth (mm)	170
Colour	White

Dimensions



DX100T

Model number
DX100T

Part Number
90841AW

Product type
4"/100mm axial fan

Country of origin
Ireland

2 Year Guarantee

