



VX100-SP

4" / 100mm axial bathroom fan

Toolstation Product Code **36701**

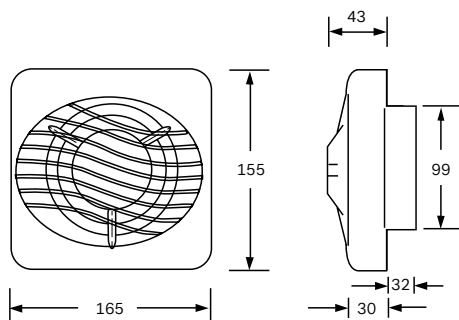
A single speed extract fan with a short spigot, ideal for shallow wall or ceiling installations. Compact and easy to install, the fan is designed for bathrooms, shower rooms and ensuites, and includes a lubricated-for-life motor with cut-out protection.

VX100-SP is a Standard fan. This means that the fan turn will stop once the external switch (for example a lighting circuit) is turned off.

Technical Details

| | VX100-SP |
|--------------------------------|----------|
| No. of Speeds | 1 |
| Power (W) | 12 |
| Duct Size (mm) | 100 |
| Flow rate (l/s) | 21 |
| Flow rate (m ³ /h) | 76 |
| Noise dB(A)3m | 41 |
| Specific Fan Power SFP (W/l/s) | 0.57 |
| IPX Rating | IPX4 |
| Motor Type | AC |
| Pullcord | |
| Timer (90s–30mins) | |
| Integral backdraught shutter | X |
| Height (mm) | 155 |
| Width (mm) | 165 |
| Depth (mm) | 75 |
| Packed Weight (kg) | 0.8 |
| Packed Height (mm) | 180 |
| Packed Width (mm) | 180 |
| Packed Depth (mm) | 90 |
| Colour | White |

Dimensions



Model number:
VX100-SP

Product type:
4"/100mm axial fan

Model range:
Domestic Bathroom
Fans

**2 Year
Guarantee**

Country of Origin
Ireland

