



VX100T-SP

4" / 100mm axial bathroom fan

Toolstation Product Code **22316**

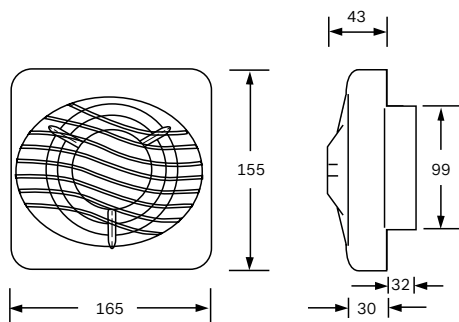
A single speed extract fan with a short spigot, ideal for shallow wall or ceiling installations. Compact and easy to install, the fan is designed for bathrooms, shower rooms and ensuites, and includes a lubricated-for-life motor with cut-out protection.

VX100T-SP has an overrun timer which can be set at install between 90s and 30 minutes. This means that the fan continues to operate for this time once the external switch (eg. a lighting circuit) is turned off.

Technical Details

	VX100T-SP
No. of Speeds	1
Power (W)	12
Duct Size (mm)	100
Flow rate (l/s)	21
Flow rate (m ³ /h)	76
Noise dB(A)3m	41
Specific Fan Power SFP (W/l/s)	0.57
IPX Rating	IPX4
Motor Type	AC
Pullcord	
Timer (90s–30mins)	✓
Integral backdraught shutter	X
Height (mm)	155
Width (mm)	165
Depth (mm)	75
Packed Weight (kg)	0.8
Packed Height (mm)	180
Packed Width (mm)	180
Packed Depth (mm)	90
Colour	White

Dimensions



Model number:
VX100T-SP

Product type:
4"/100mm axial fan

Model range:
Domestic Bathroom
Fans

**2 Year
Guarantee**

Country of Origin
Ireland

