



# Marbury Range

Marbury 3 in 1 Water Filter Tap - Stainless Steel

Product Code: MRB001BS

Finish: Brushed Stainless Steel

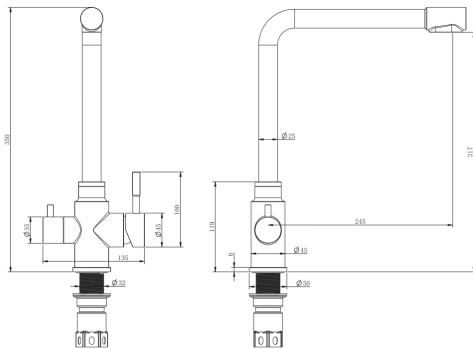
## Features

- Construction:** Stainless steel
- Valve/Cartridge type:** ½ Turn Ceramic Disc & 35mm Ceramic Cartridge
- Supply:** Suitable For High Pressure Systems
- Working Pressures:** 0.5 - 5.0 bar
- Inlet connections:** ½" BSP
- Flexi or Copper:** Flexi Tails - M10 - 500mm

- Fitted with a ceramic cartridge to ensure smooth action and longer life
- Tilt and turn longer lever handle to operate temperature and flow control, with separate handle to operate filtered water.
- Swivel Spout - For full sink access
- Stainless Steel Construction - Strong, durable and offers increased resistance against staining and corrosion
- Brushed stainless steel finish for easy maintenance - reduces fingerprints and watermarks
- Supplied with a carbon filter to reduce limescale, remove impurities and improve taste
- Complete with 2 X 500mm Flexi Tails
- Tap Height: 350mm
- Spout Reach: 245mm



\*Please refer to website for full warranty details.



## Flow (Bar - l/min, open outlet)

### Spout

Flow 0.1	Flow 0.3	Flow 0.5	Flow 1.0	Flow 2.0	Flow 3.0	Flow 4.0	Flow 5.0
2	3.1	4.2	6.2	8.9	11	12.8	14.4

